

- [54] FISHING REEL SPOOL
- [75] Inventor: Tatsuo Sugimoto, Tokyo, Japan
- [73] Assignee: Daiwa Seiko, Inc., Tokyo, Japan
- [**] Term: 14 Years
- [21] Appl. No.: 585,505
- [22] Filed: Mar. 2, 1984

Related U.S. Application Data

- [62] Division of Ser. No. 402,735, Jul. 28, 1982, Pat. No. Des. 247,832.

Foreign Application Priority Data

- Feb. 25, 1982 [JP] Japan 57-7844
- Feb. 25, 1982 [JP] Japan 57-7845
- [52] U.S. Cl. D22/25; D8/358
- [58] Field of Search 242/84.1 R, 84.2 R, 242/84.2 A; D22/25, 26; D8/358, 359

[56] **References Cited**

U.S. PATENT DOCUMENTS

3,979,082 9/1976 Morishita 242/84.2 R

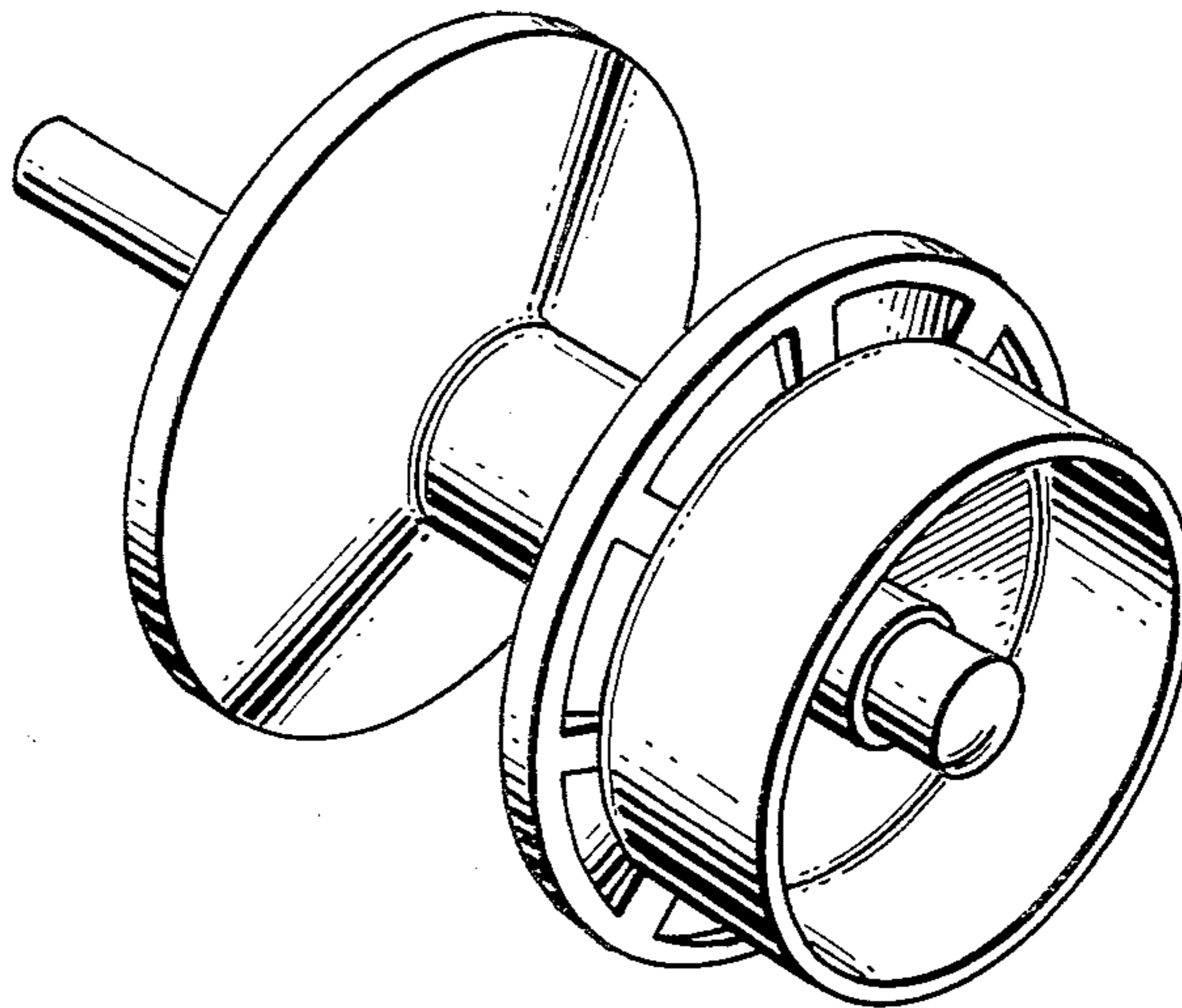
Primary Examiner—A. Hugo Word
Attorney, Agent, or Firm—Flam & Flam

[57] **CLAIM**

The ornamental design for a fishing reel spool, substantially as shown and described.

DESCRIPTION

FIG. 1 is a perspective view of a fishing reel spool incorporating my new design;
 FIGS. 2 and 3 are end views thereof;
 FIG. 4 is a top plan view thereof;
 FIG. 5 is a perspective view similar to FIG. 1 showing a modified form of a fishing reel spool incorporating my new design;
 FIGS. 6 and 7 are end views of the fishing reel spool shown in FIG. 5; and
 FIG. 8 is a top plan view of the fishing reel spool shown in FIG. 5.



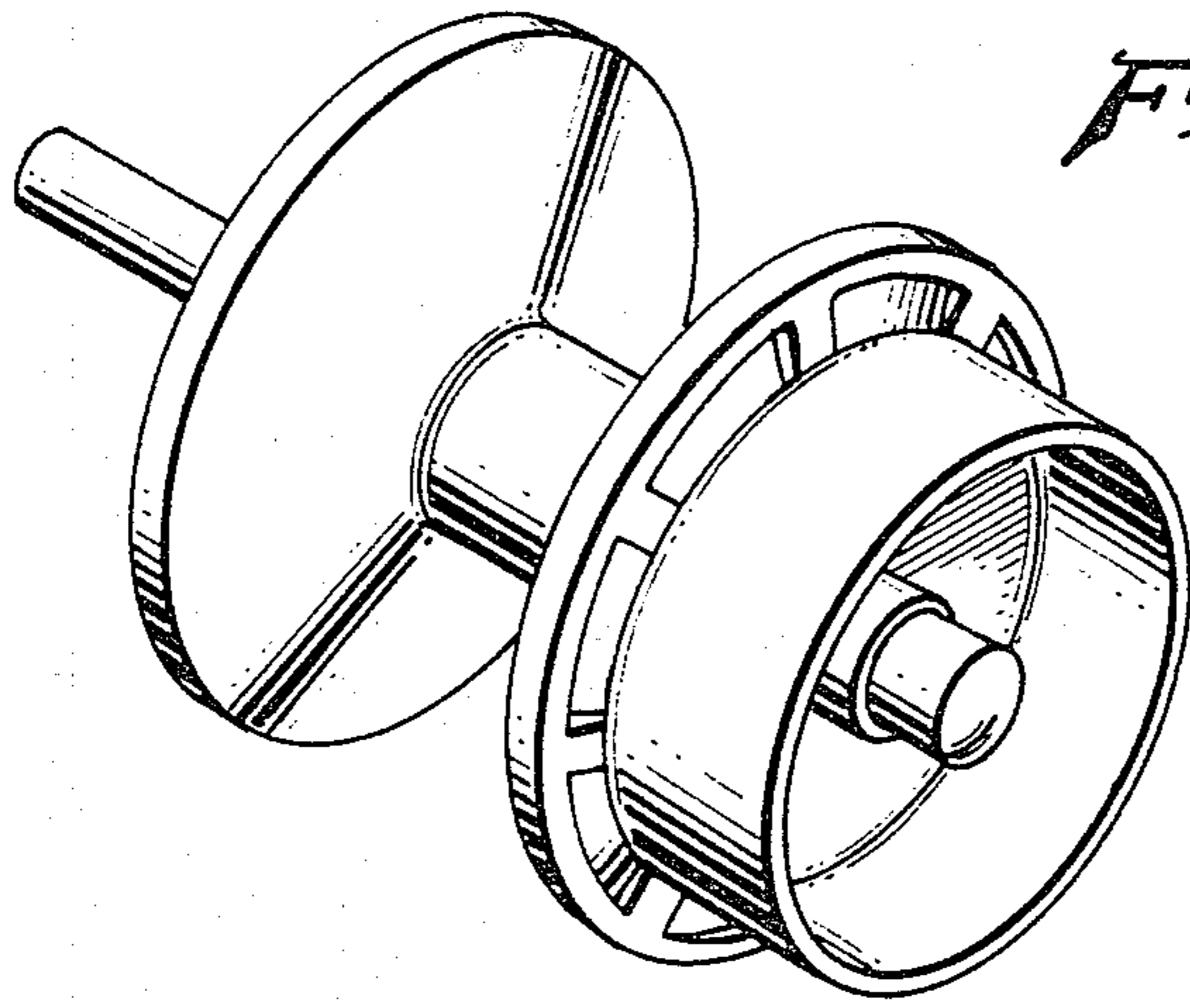


Fig. 1.

Fig. 3.

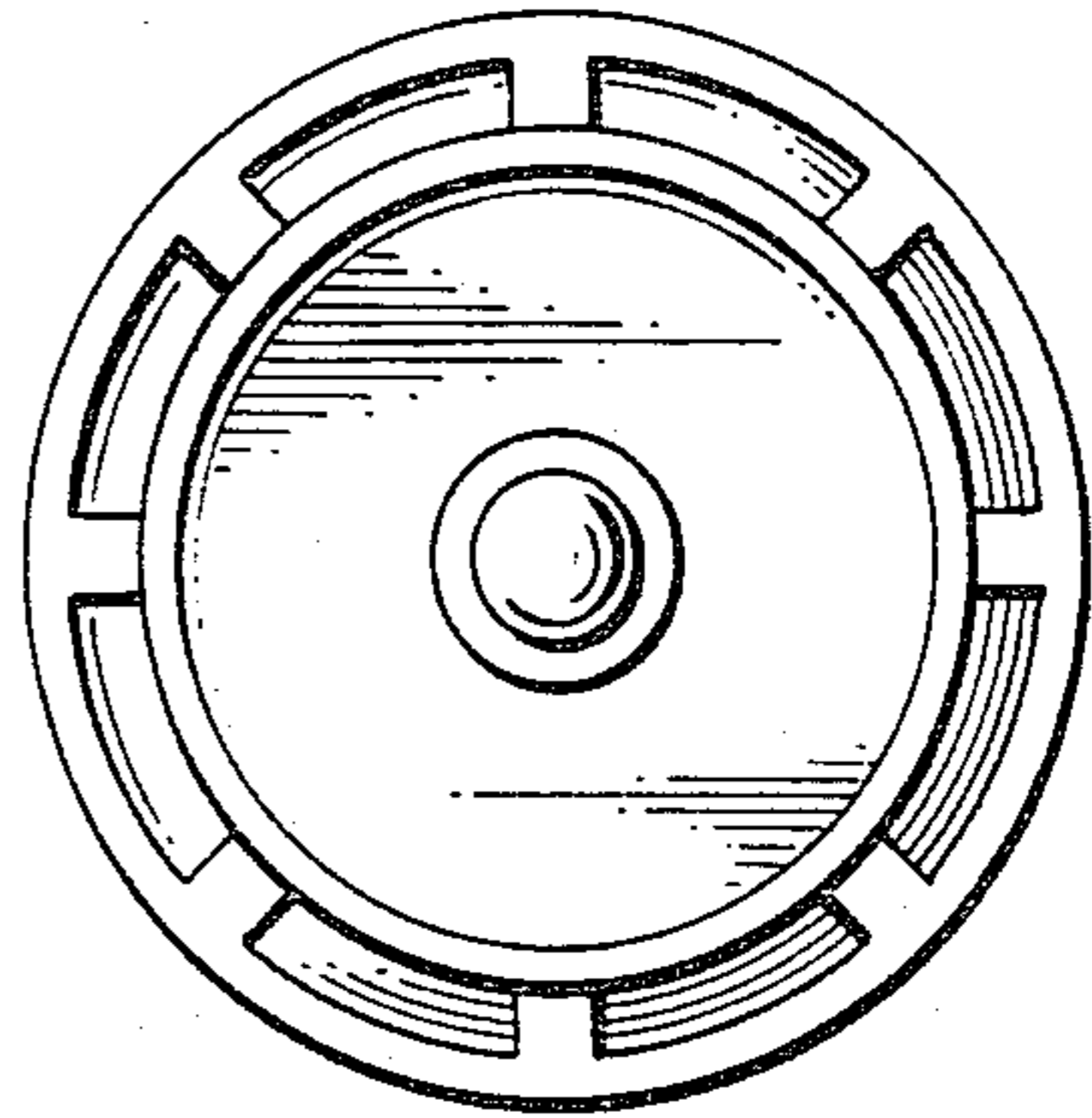


Fig. 2.

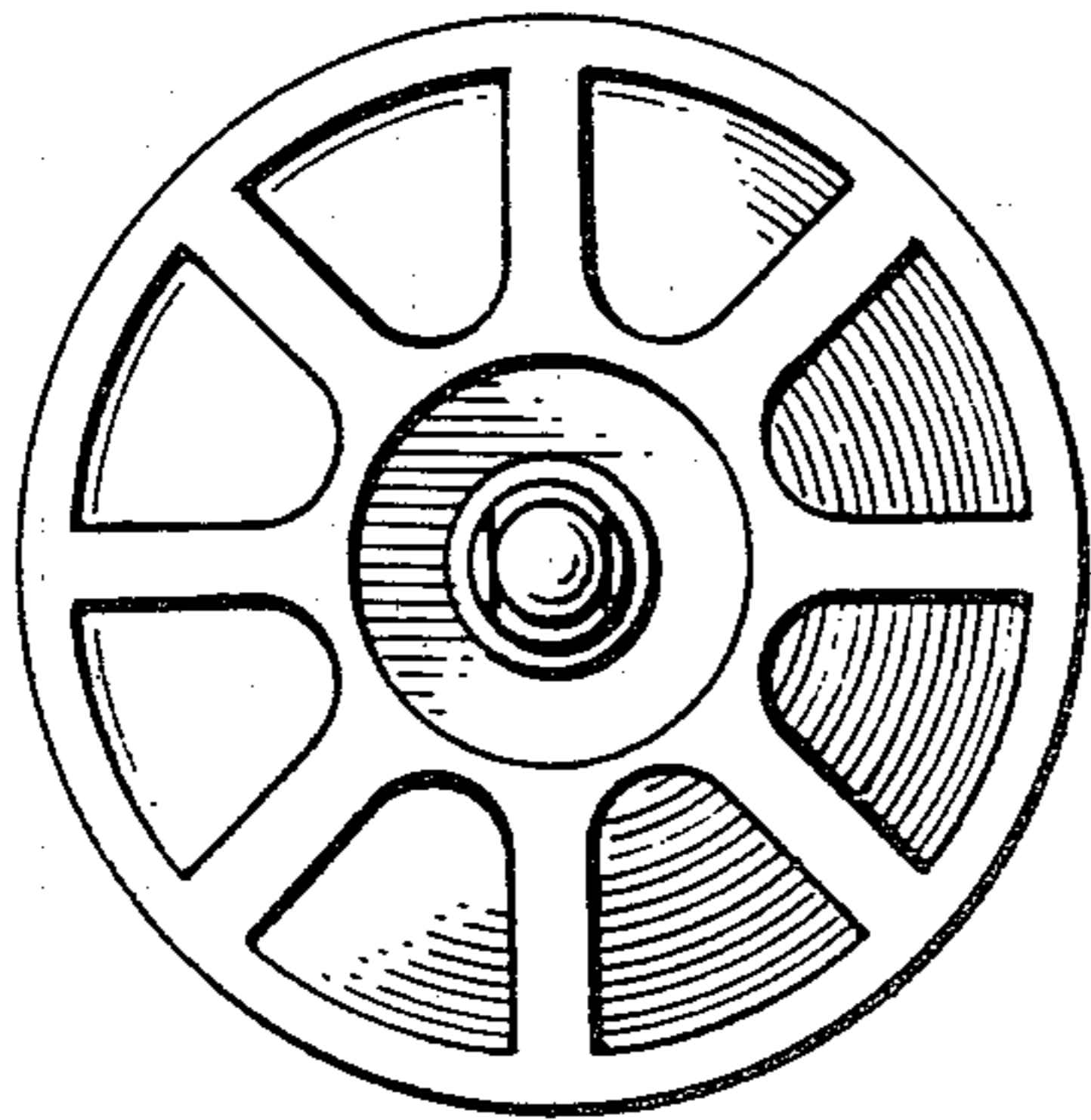


Fig. 4.

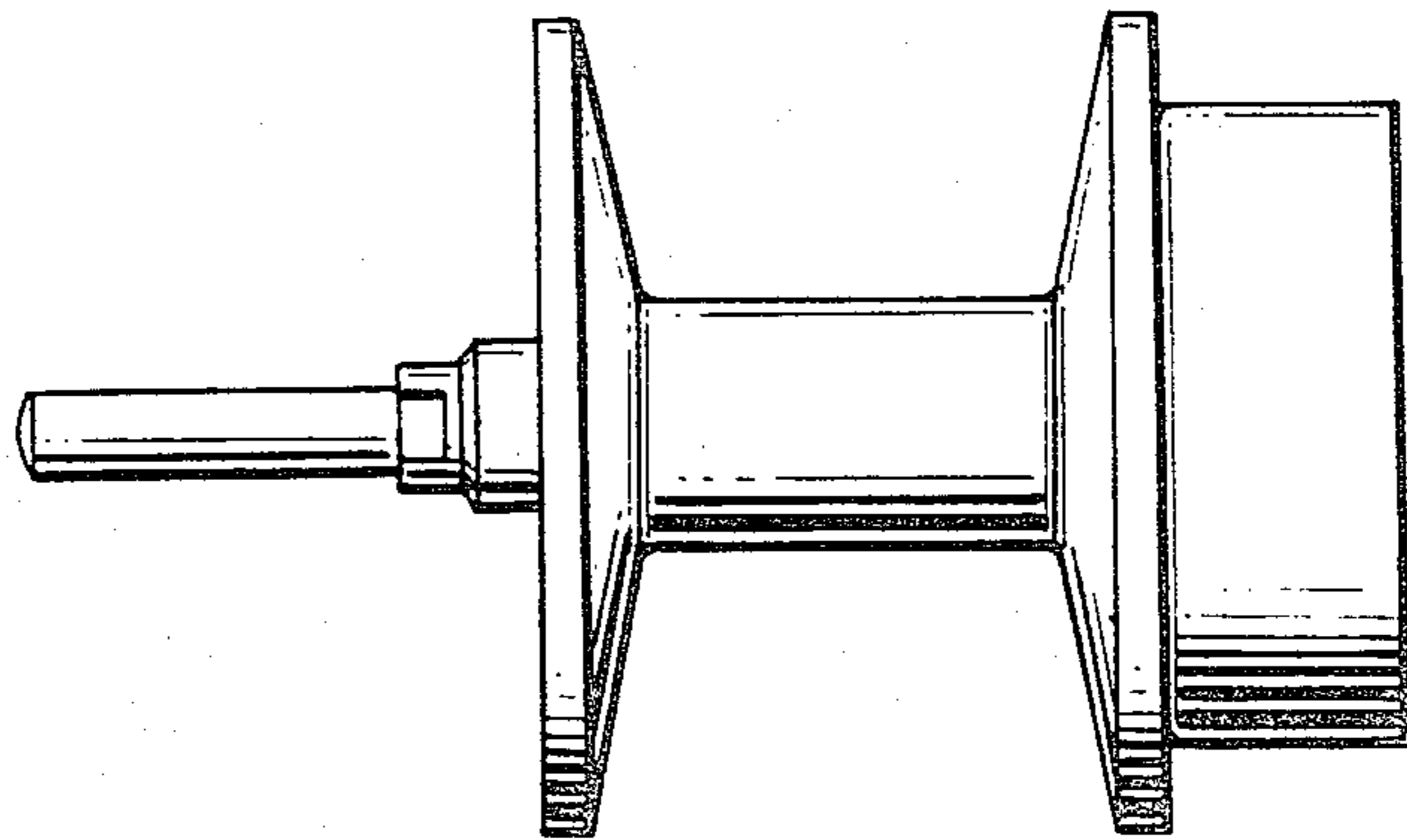


Fig. 5.

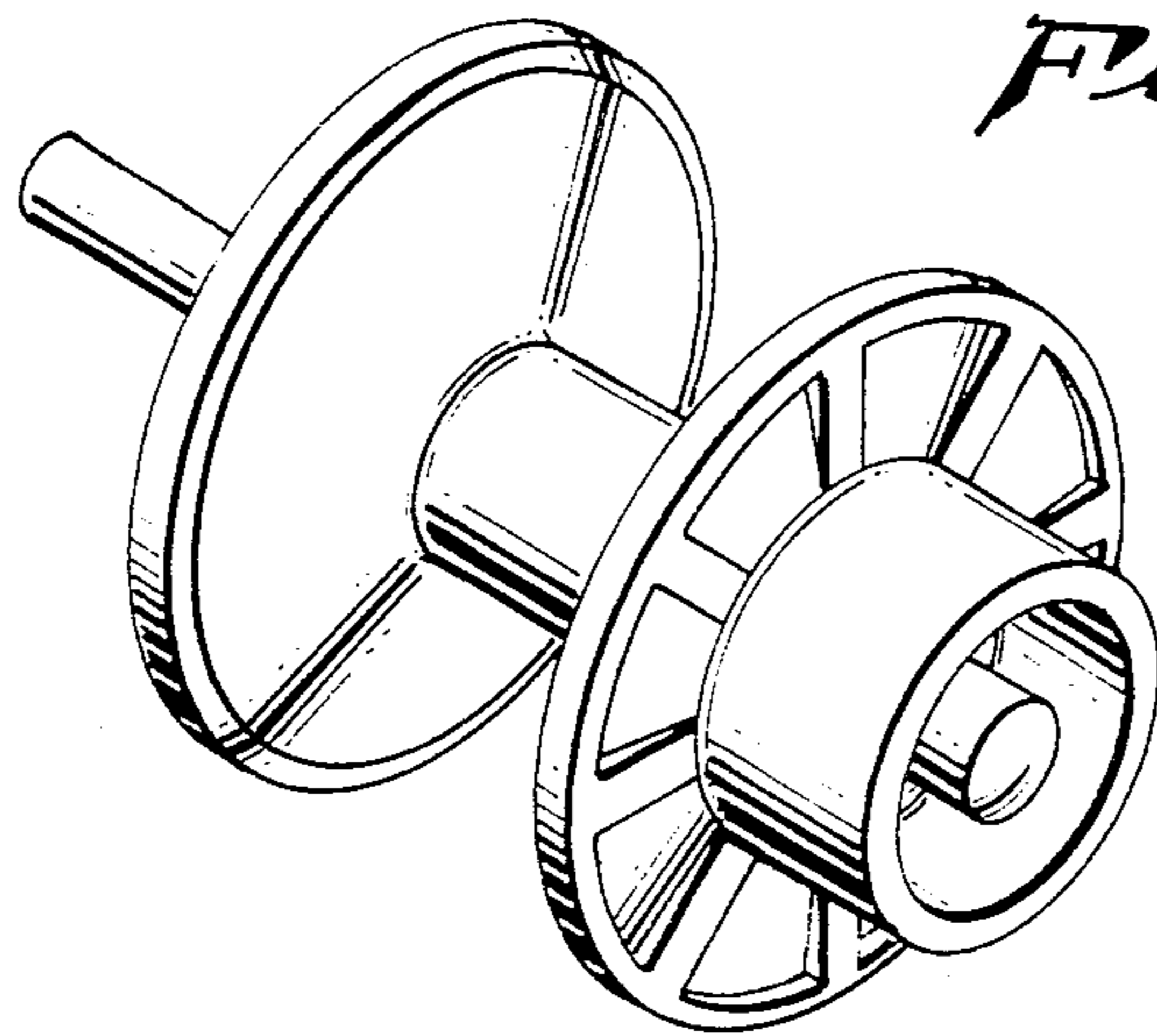


Fig. 7.

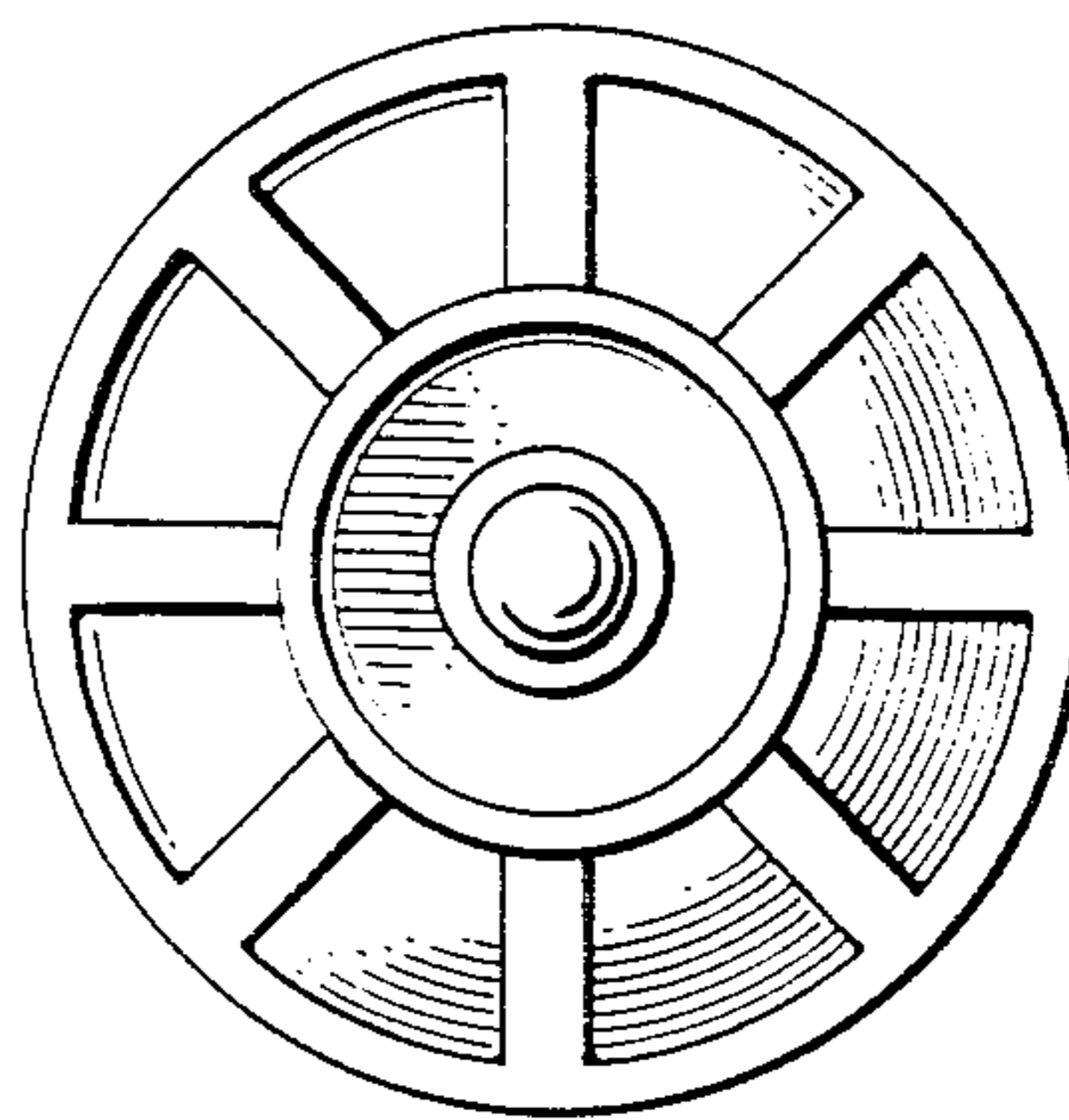


Fig. 6.

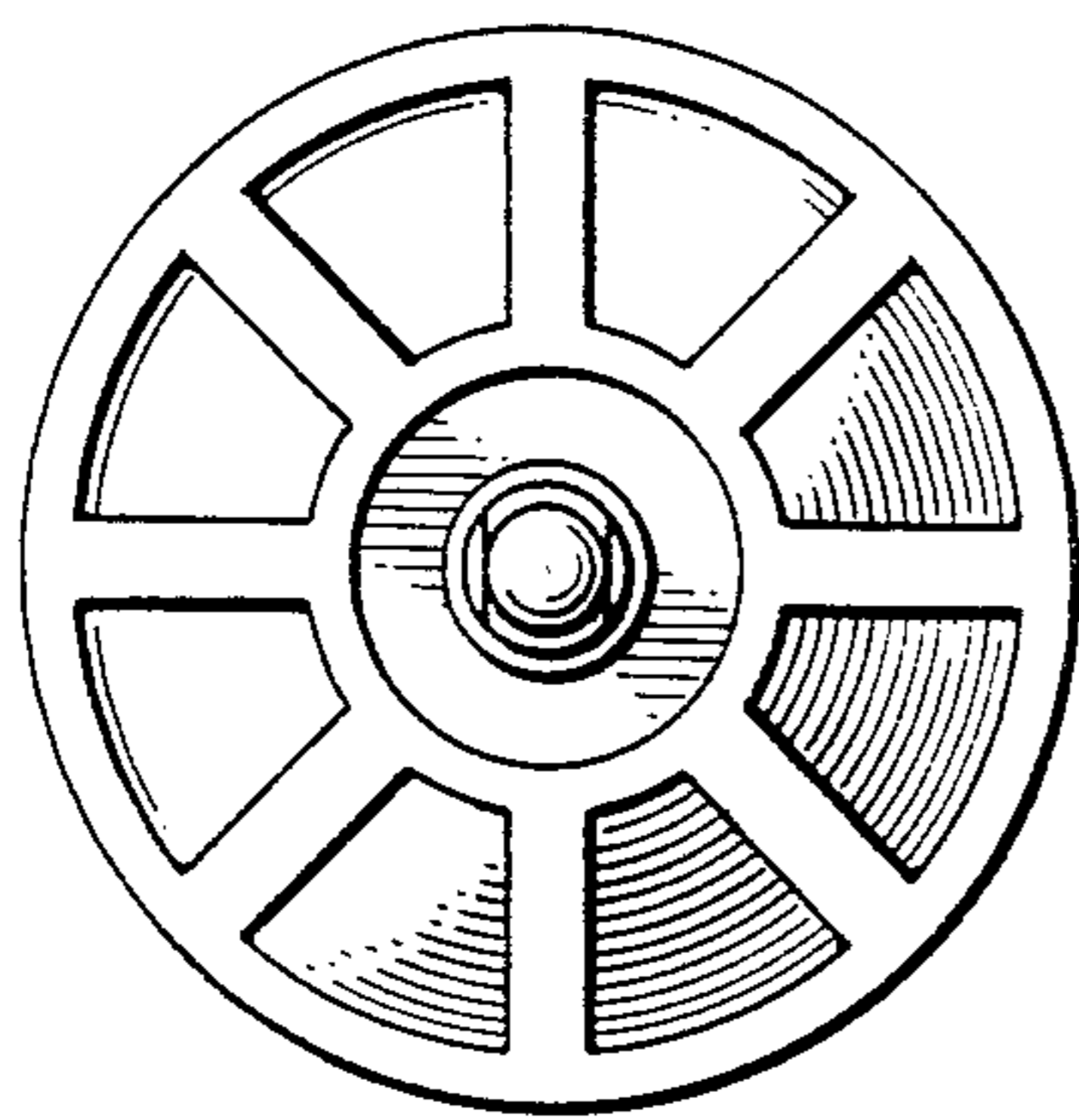


Fig. 8.

