

[54] BARBELL WEIGHT

2,796,269 6/1957 Watson 272/123
3,171,652 3/1965 Newman D21/197

[75] Inventor: Brian R. Zwilling, Longmeadow, Mass.

[73] Assignee: Spalding & Evenflo Company, Inc., Tampa, Fla.

[**] Term: 14 Years

[21] Appl. No.: 499,948

[22] Filed: Jun. 1, 1983

[52] U.S. Cl. D21/196; D21/197

[58] Field of Search D21/191, 196, 197, 198, D21/199; 272/67, 68, 117, 119, 122, 123, 124

[56] References Cited

U.S. PATENT DOCUMENTS

D. 216,517 1/1970 Dorn D21/197
2,244,351 6/1941 Venables 272/123
2,447,218 8/1948 Trzesniewski 272/123

OTHER PUBLICATIONS

Marcy Gym Equipment Catalog, 1969, p. 20, Barbell Lock, #H475-Q.

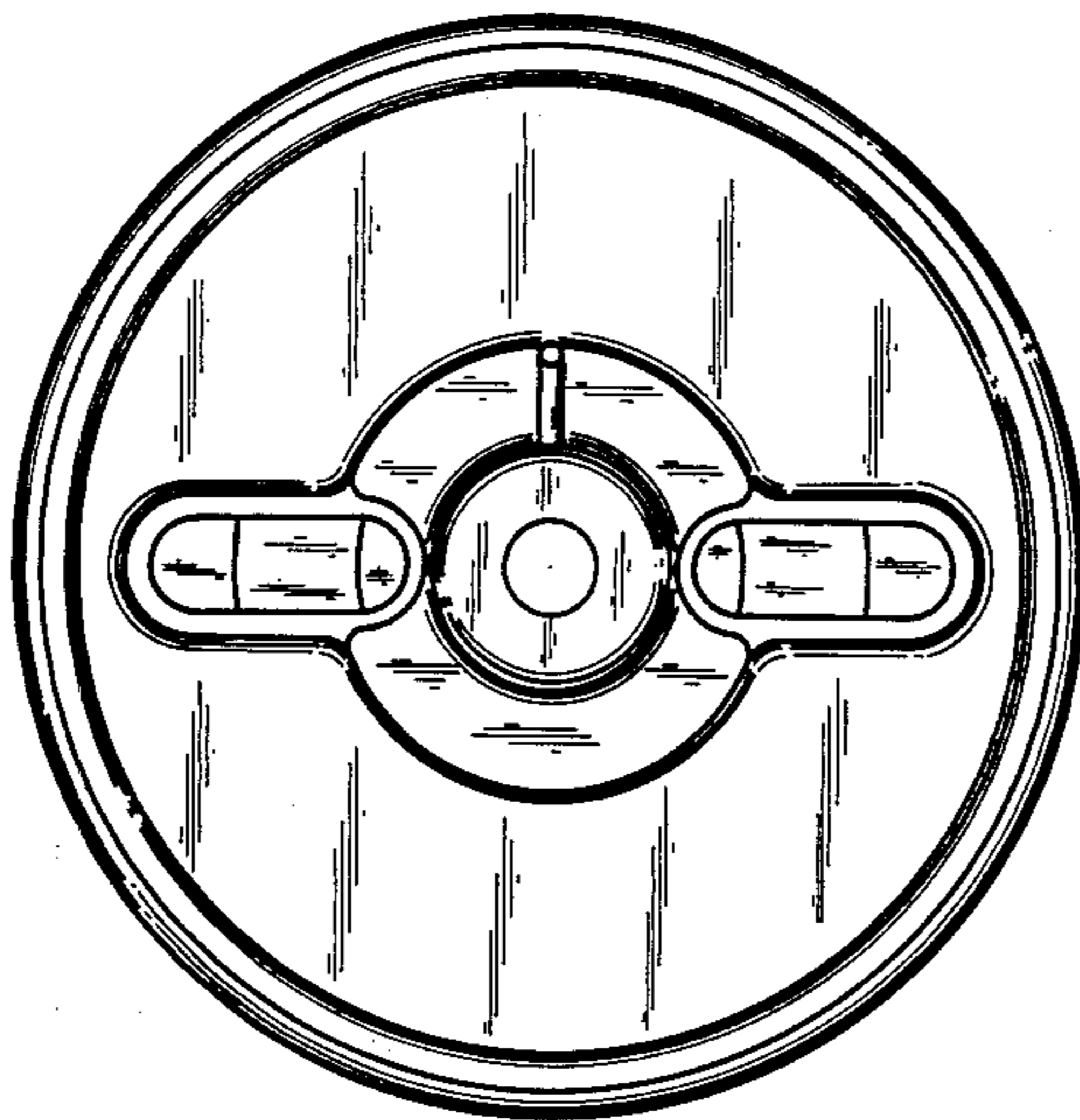
Primary Examiner—Charles A. Rademaker
Attorney, Agent, or Firm—Donald R. Bahr

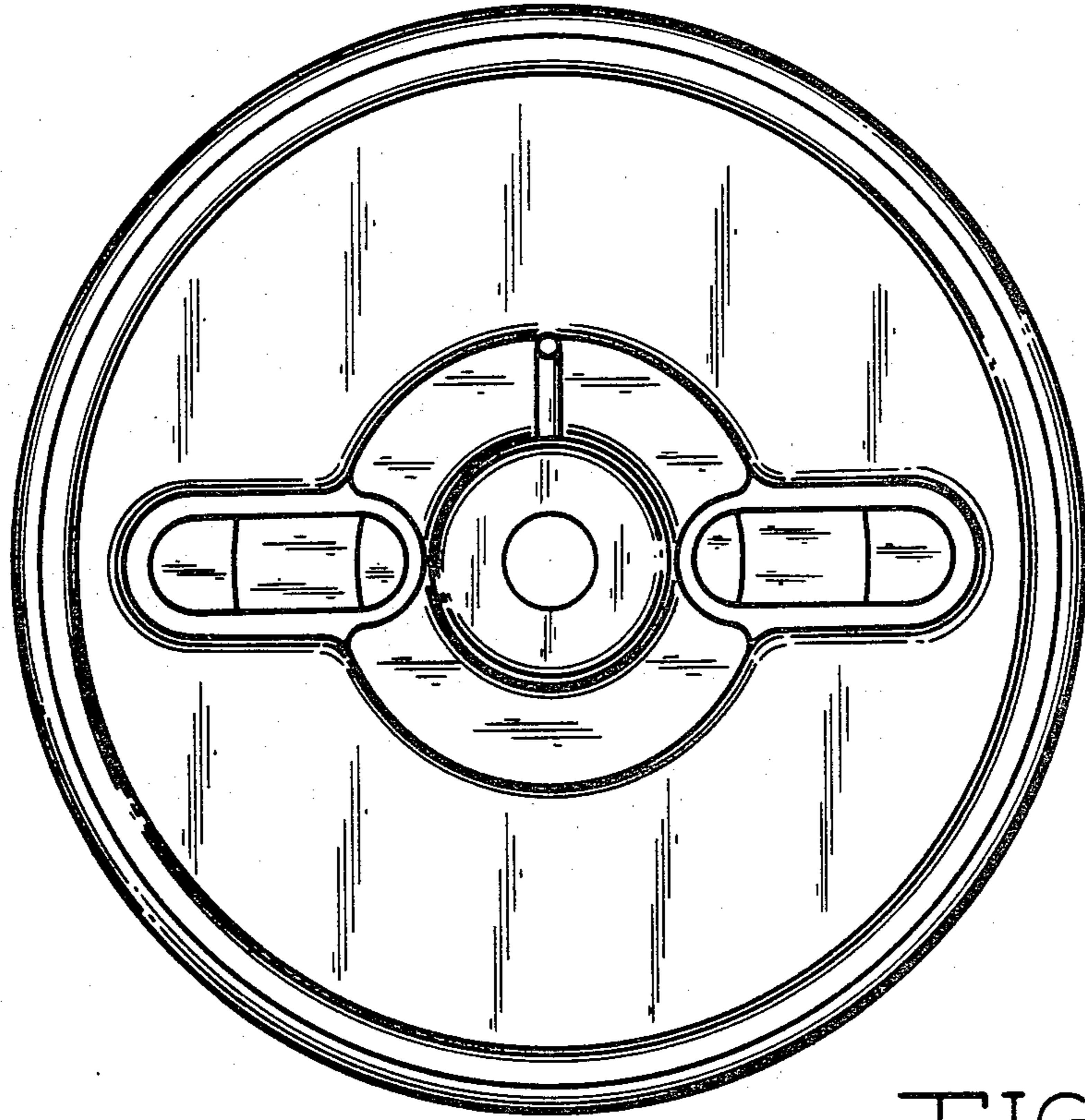
[57] CLAIM

The ornamental design for a barbell weight, as shown and described.

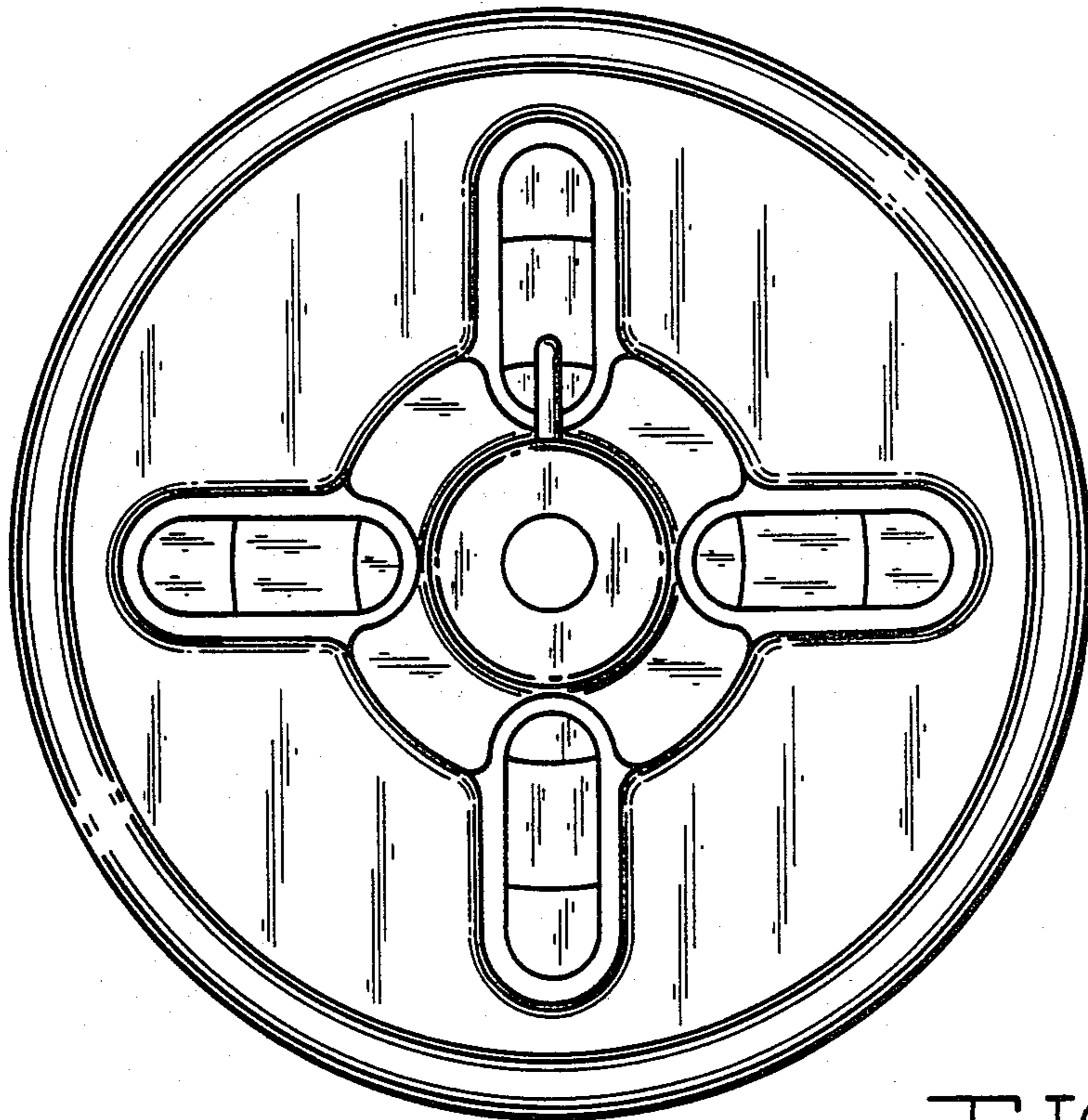
DESCRIPTION

FIG. 1 is a left side elevational view of a barbell weight showing my new design;
FIG. 2 is a right side elevational view thereof;
FIG. 3 is a top plan view thereof;
FIG. 4 is an end elevational view thereof; and,
FIG. 5 is a bottom plan view thereof.

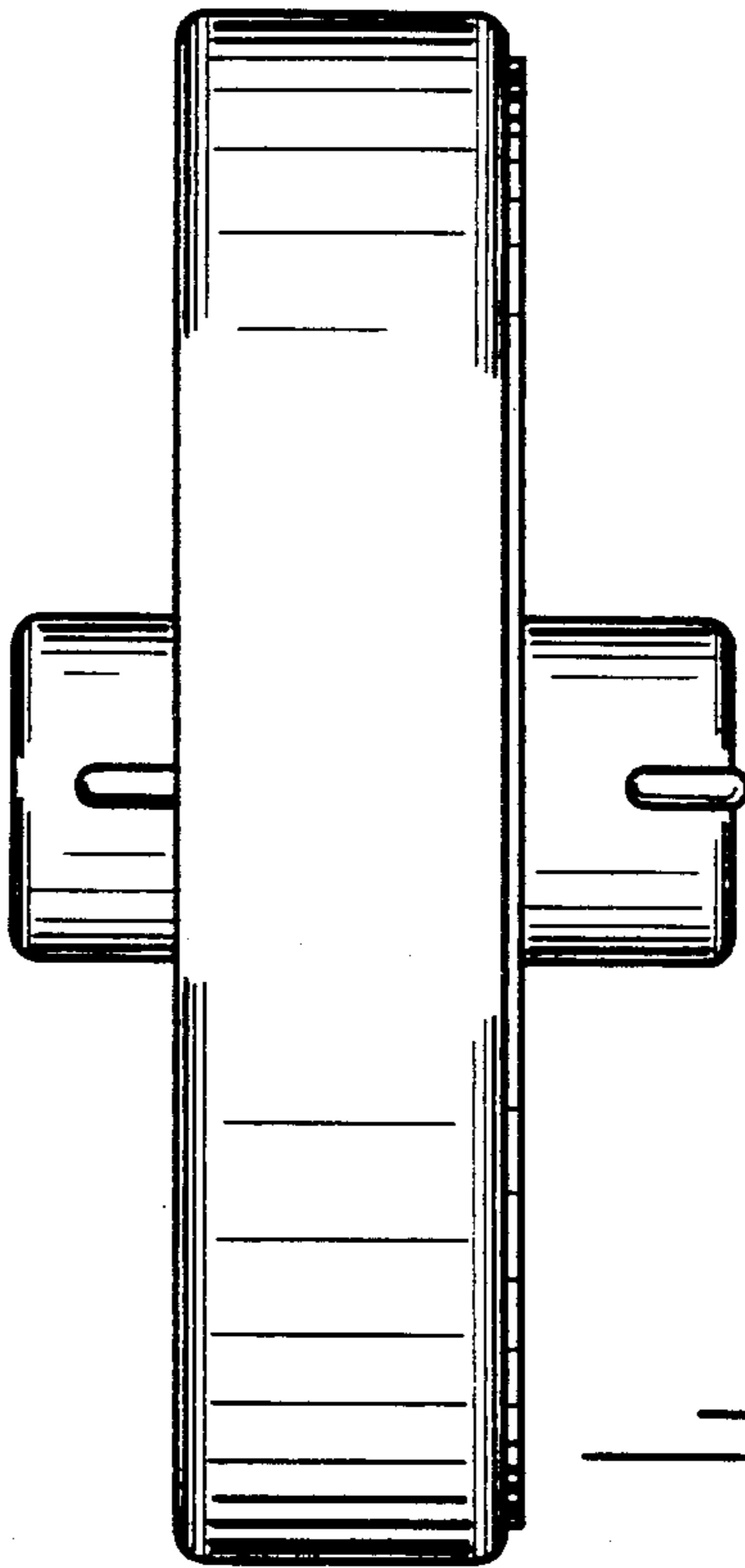




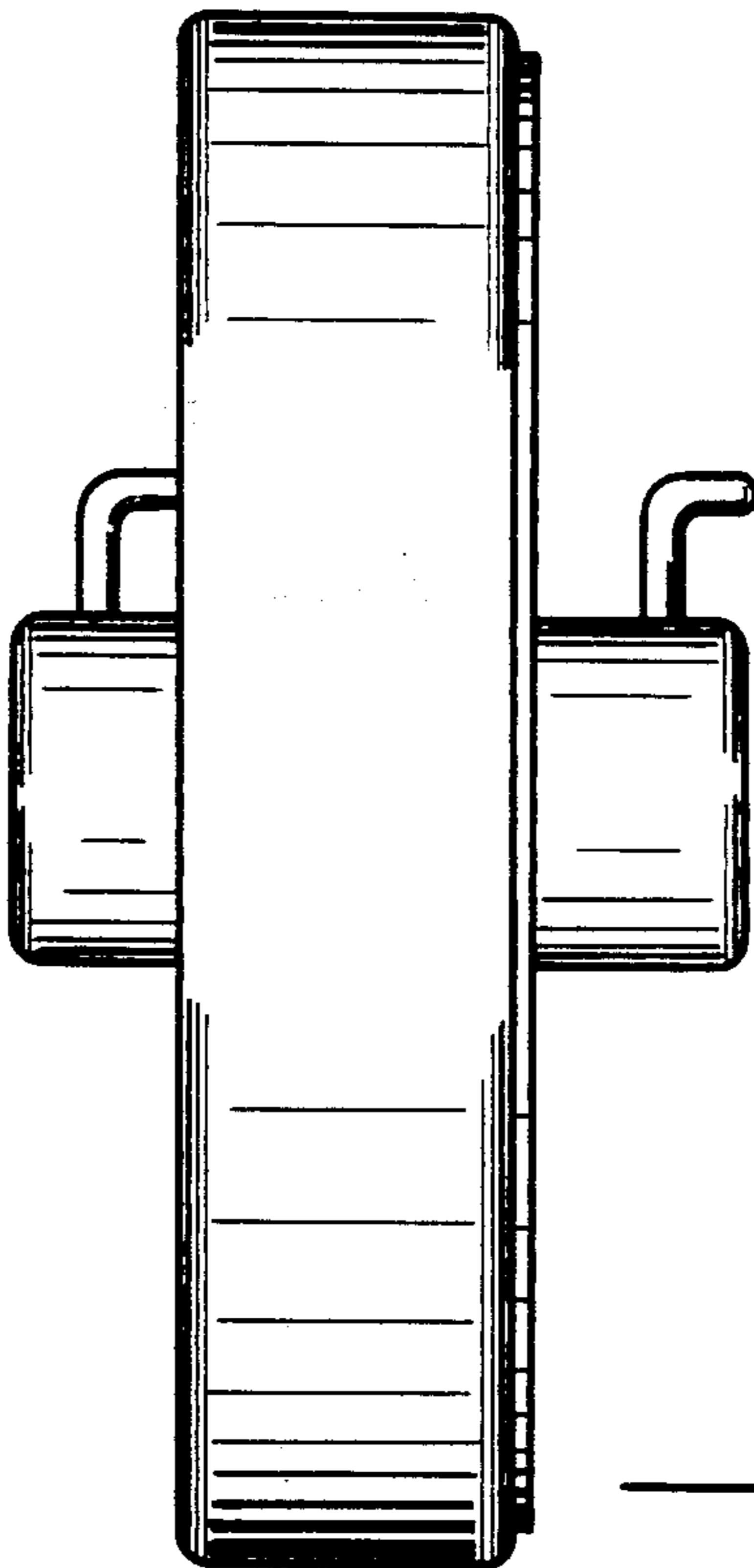
—FIG. 1



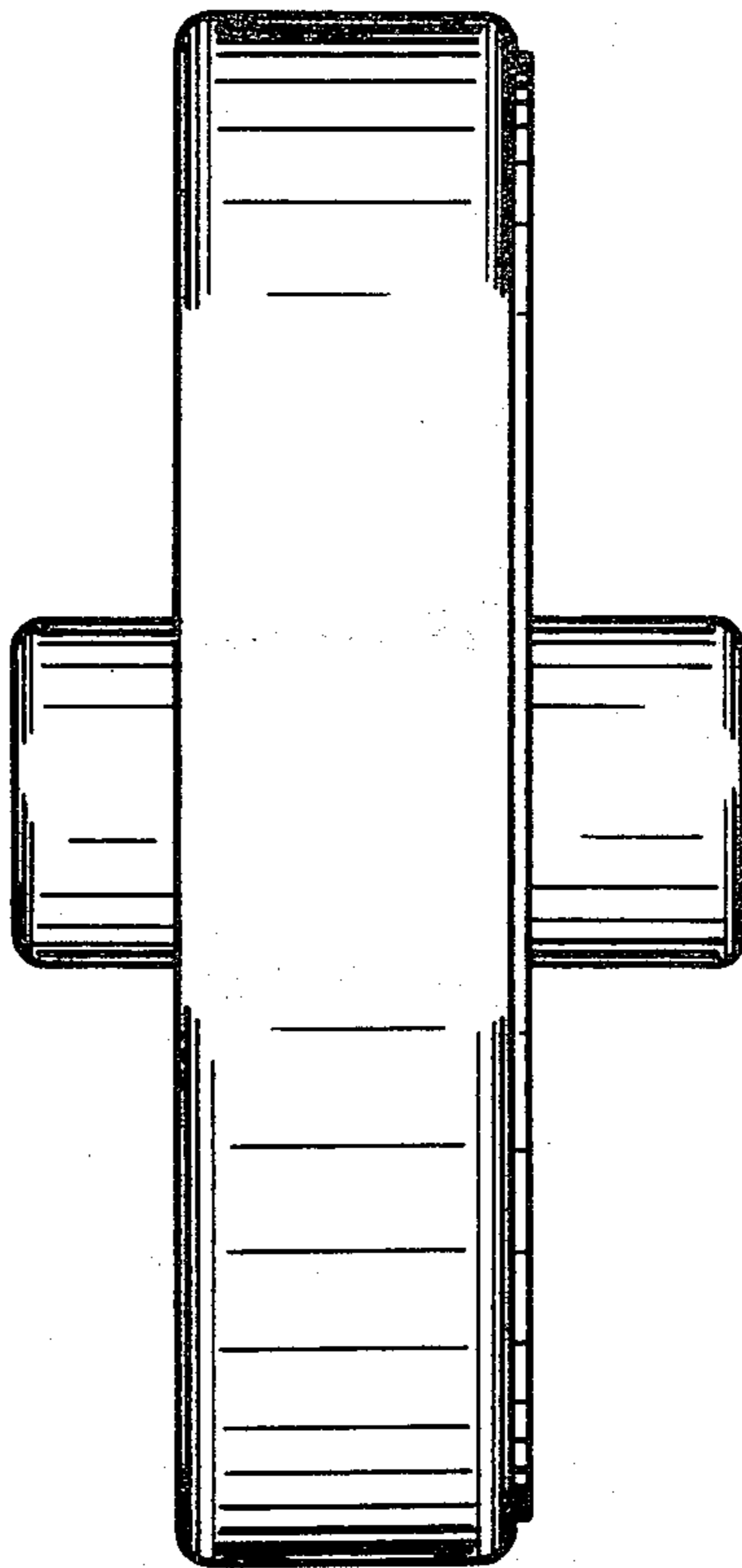
—FIG. 2



— FIG. 3



— FIG. 4



—FIG. 5