

United States Patent [19]

Bellini

[11] Patent Number: **Des. 278,350**

[45] Date of Patent: **** Apr. 9, 1985**

[54] **ELECTRONIC TYPEWRITER**

[75] Inventor: **Mario Bellini, Milan, Italy**

[73] Assignee: **Ing. C. Olivetti & C., S.p.A., Ivrea, Italy**

[**] Term: **14 Years**

[21] Appl. No.: **416,019**

[22] Filed: **Sep. 8, 1982**

[30] **Foreign Application Priority Data**

Mar. 8, 1982 [IT] Italy 5301082[U]

[52] U.S. Cl. **D18/1**

[58] Field of Search D18/1, 2, 12; D14/100;
400/689-694

[56] **References Cited**

U.S. PATENT DOCUMENTS

D. 255,032 5/1980 Maddock D18/1 X

D. 258,663 3/1981 Bellini D18/1
D. 272,831 2/1984 Iseki D18/1
D. 273,117 3/1984 Kasagi et al. D18/1

OTHER PUBLICATIONS

Office Products Dealer, 7/1981, p. 107—Howard Industries Computer Printer Item 399.

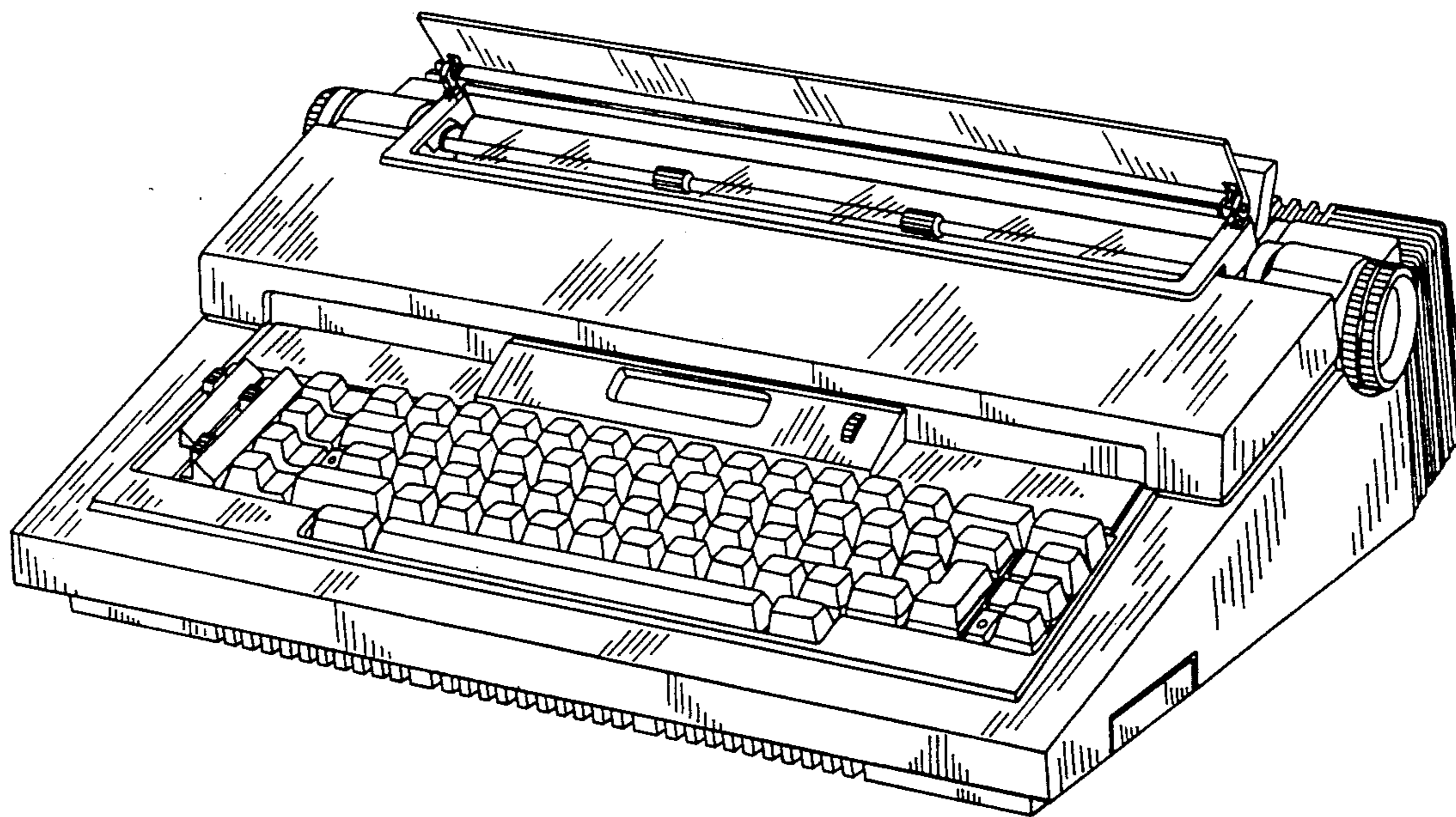
Primary Examiner—Louis S. Zarfes
Attorney, Agent, or Firm—Banner, Birch, McKie & Beckett

[57] **CLAIM**

The ornamental design for an electronic typewriter, substantially as shown and described.

DESCRIPTION

FIG. 1 is a front and right perspective view of an electronic typewriter showing my new design;
FIG. 2 is a rear and left perspective view thereof;
FIG. 3 is a left view thereof; and
FIG. 4 is a bottom view of the typewriter of FIG. 1.



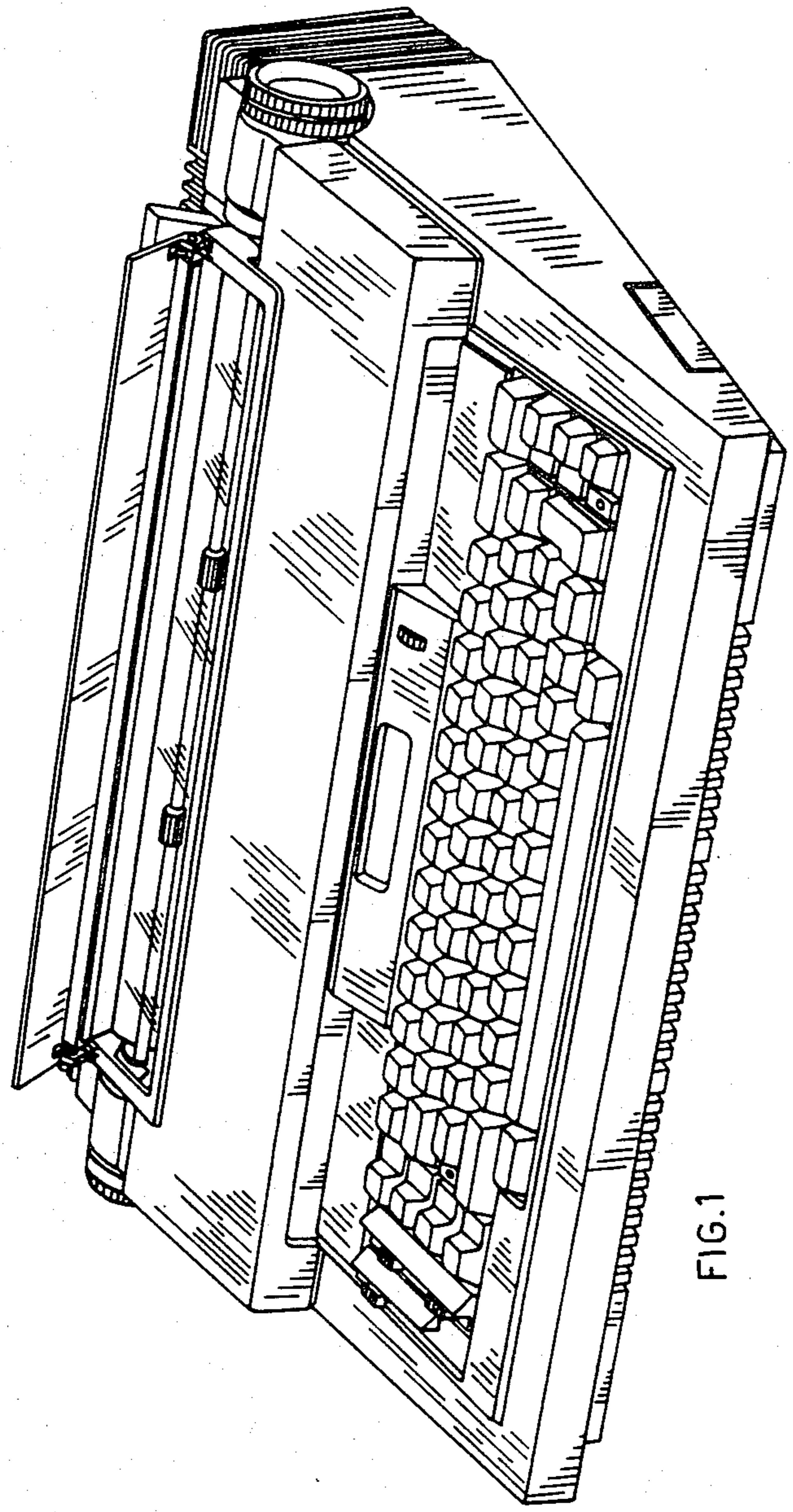


FIG. 1

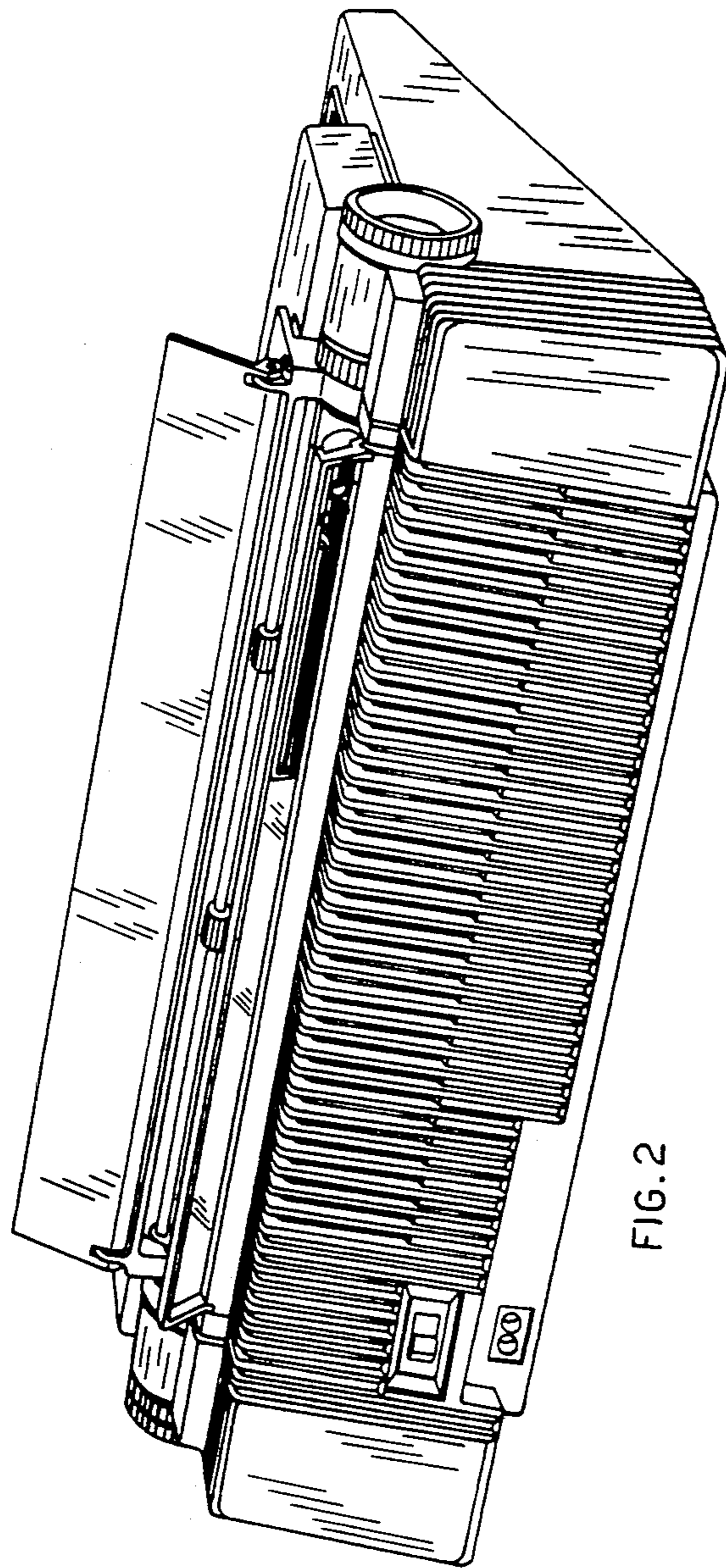


FIG. 2

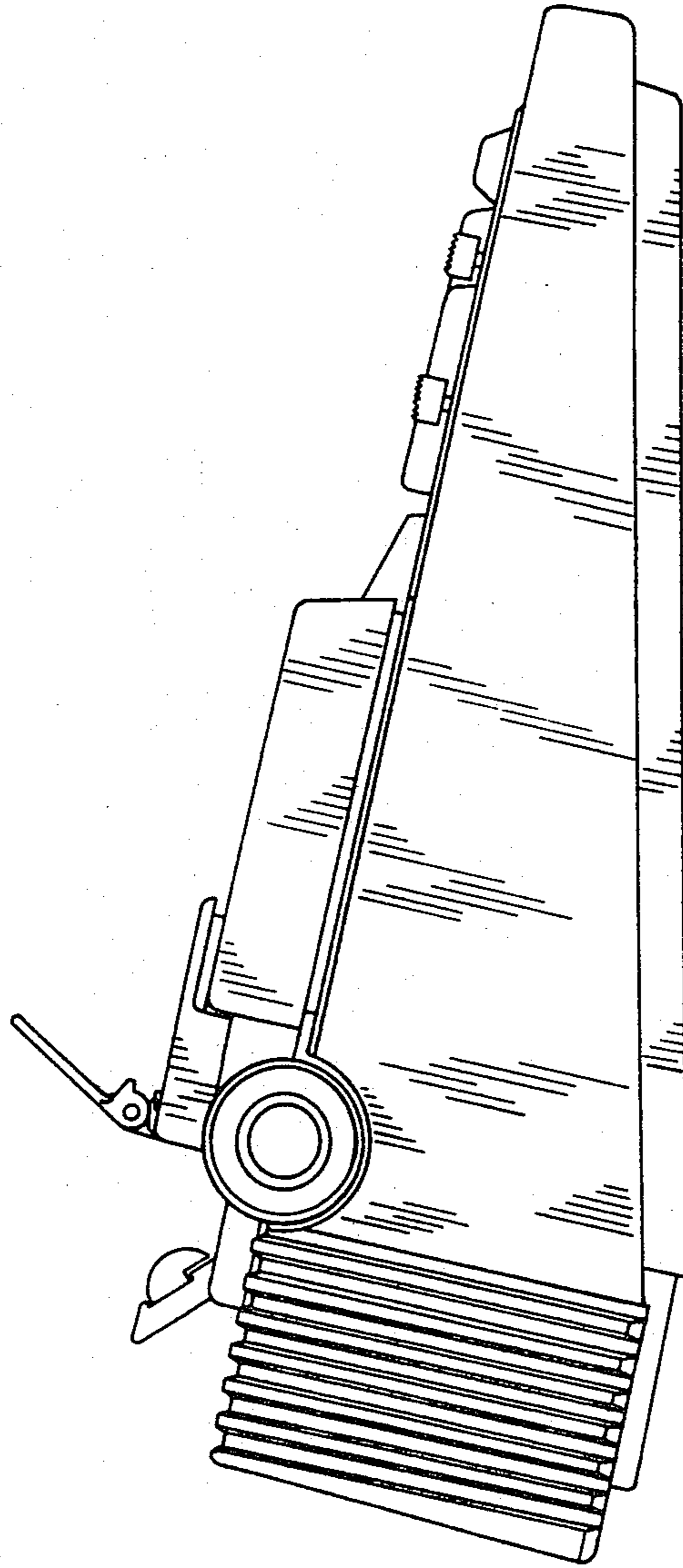


FIG. 3

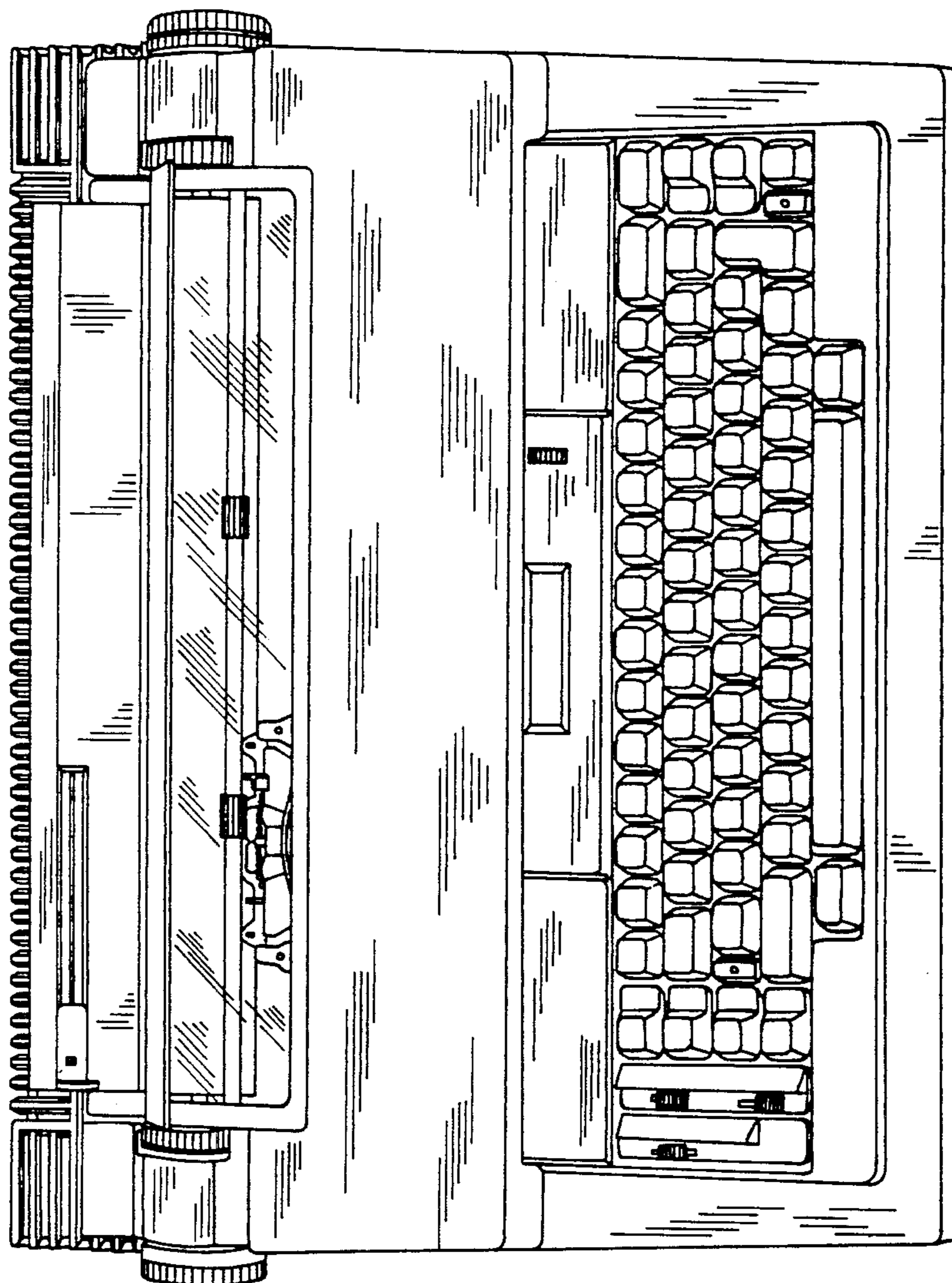


FIG. 4