

[54] **MAGNIFIER VIEWING UNIT**

[75] **Inventor: Robert H. R. Horgan, West Beach, Australia**

[73] **Assignee: Horgan Investments Pty. Ltd., Medindie, Australia**

[**] **Term: 14 Years**

[21] **Appl. No.: 551,177**

[22] **Filed: Nov. 14, 1983**

[52] **U.S. Cl. D16/135**

[58] **Field of Search D16/130-135; 350/245, 255, 247**

[56] **References Cited**

U.S. PATENT DOCUMENTS

D. 256,589	8/1980	Iwashita	D16/135
1,702,317	2/1929	Rose	D16/135
2,713,807	7/1955	Herbent	D16/135

OTHER PUBLICATIONS

Industrial Magnifiers, Bausch & Lomb, May 1969, Brochure, pp. 3, 12, 17, Sundry Magnifiers.

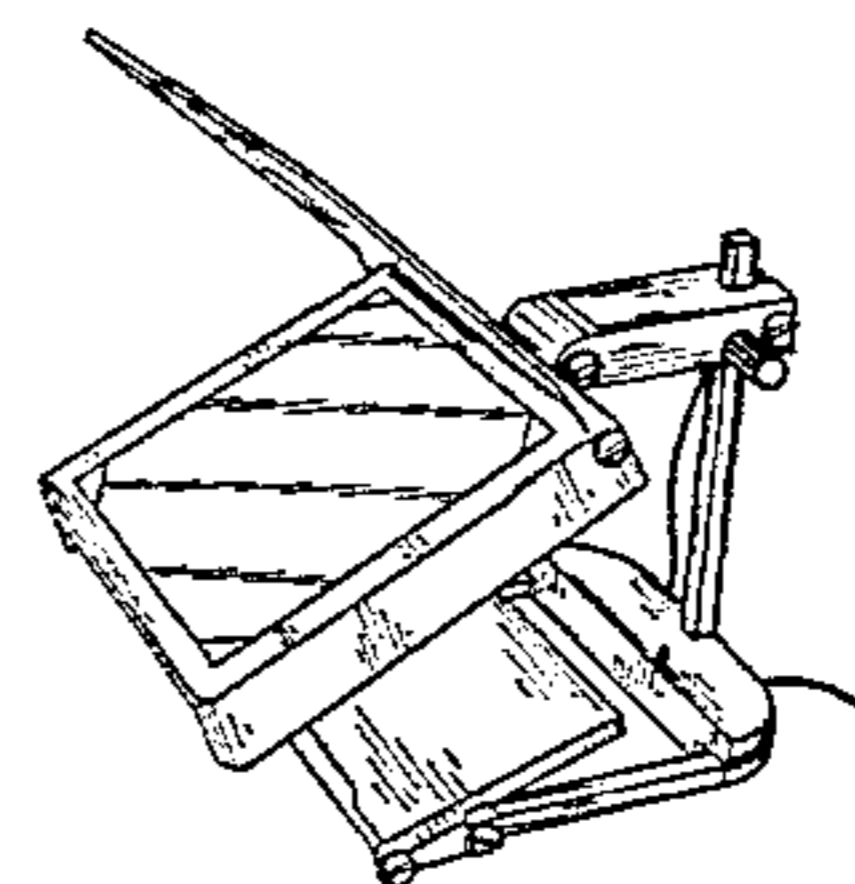
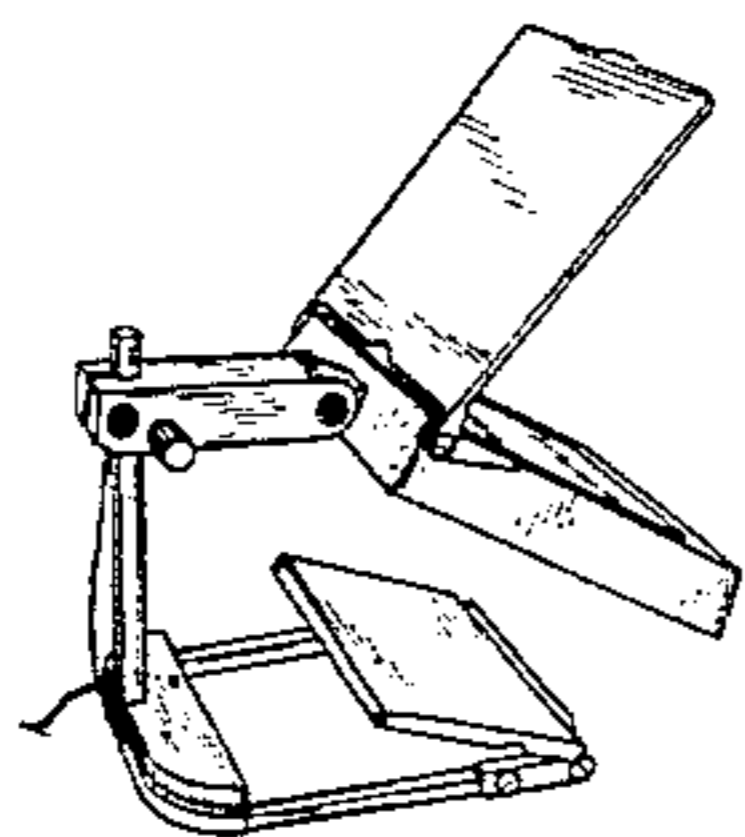
Primary Examiner—Wallace R. Burke
Assistant Examiner—Horace B. Fay
Attorney, Agent, or Firm—Pearne, Gordon, Sessions, McCoy, Granger & Tilberry

[57] **CLAIM**

The ornamental design for a magnifier viewing unit, substantially as shown and described.

DESCRIPTION

FIG. 1 is a side perspective view of a magnifier viewing unit, with its shade open, showing my new design;
FIG. 2 is a front perspective view made from the right side thereof;
FIG. 3 is a rear perspective view from the right side thereof;
FIG. 4 is a front and side perspective as seen from the side opposite to that of FIG. 1; and
FIG. 5 is a front and side perspective, similar to FIG. 2, with the shade closed.



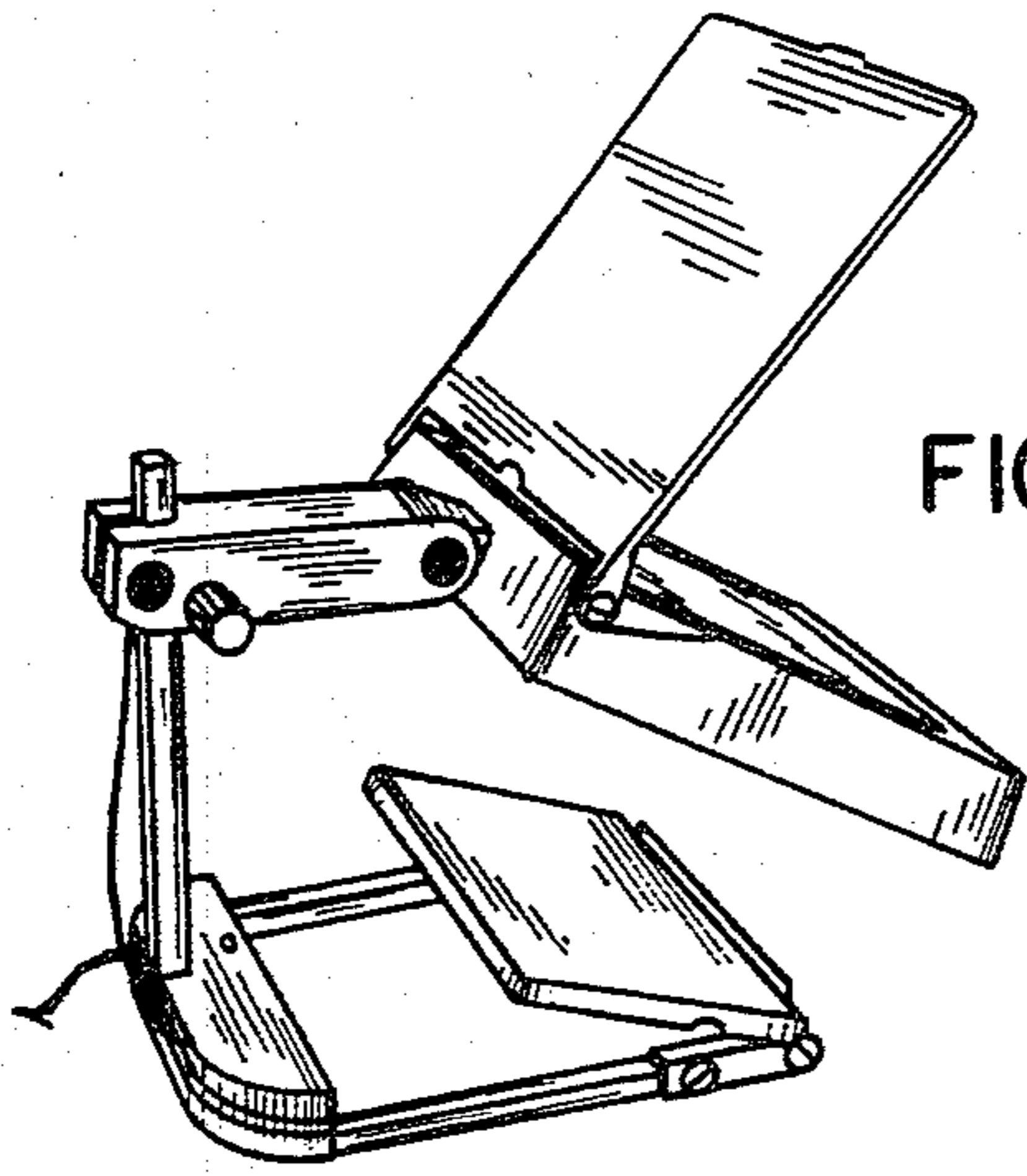


FIG. 1

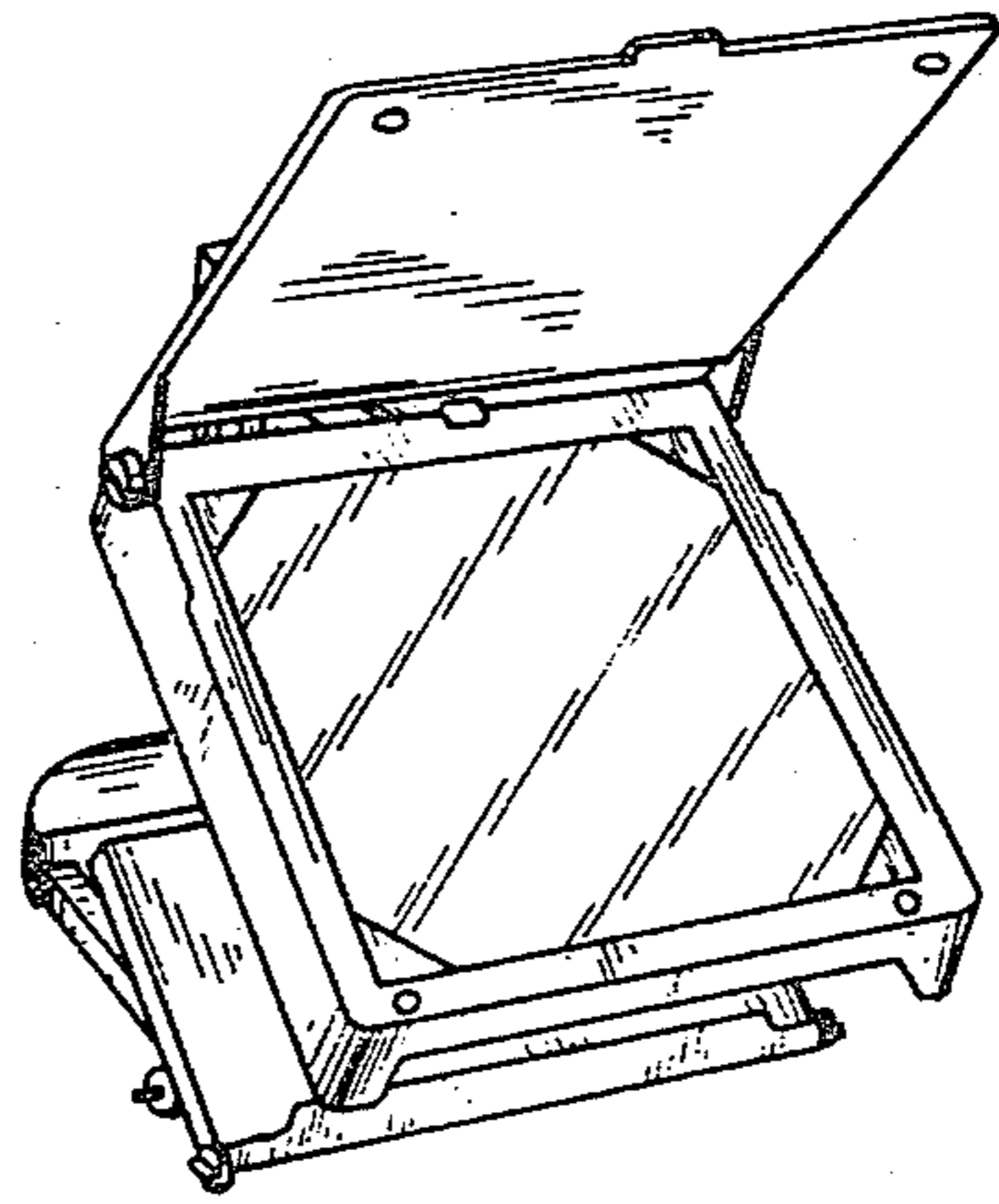


FIG. 2

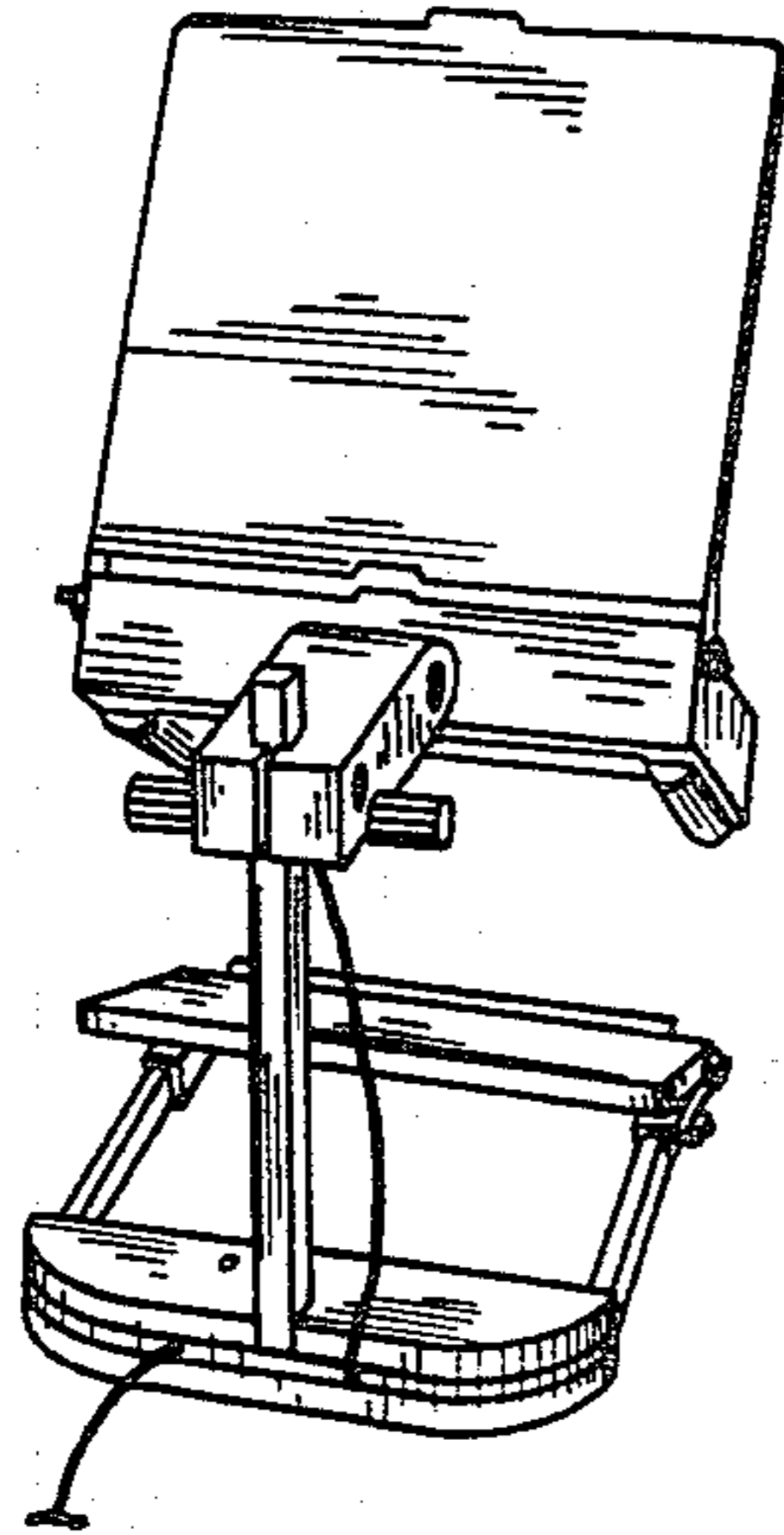


FIG. 3

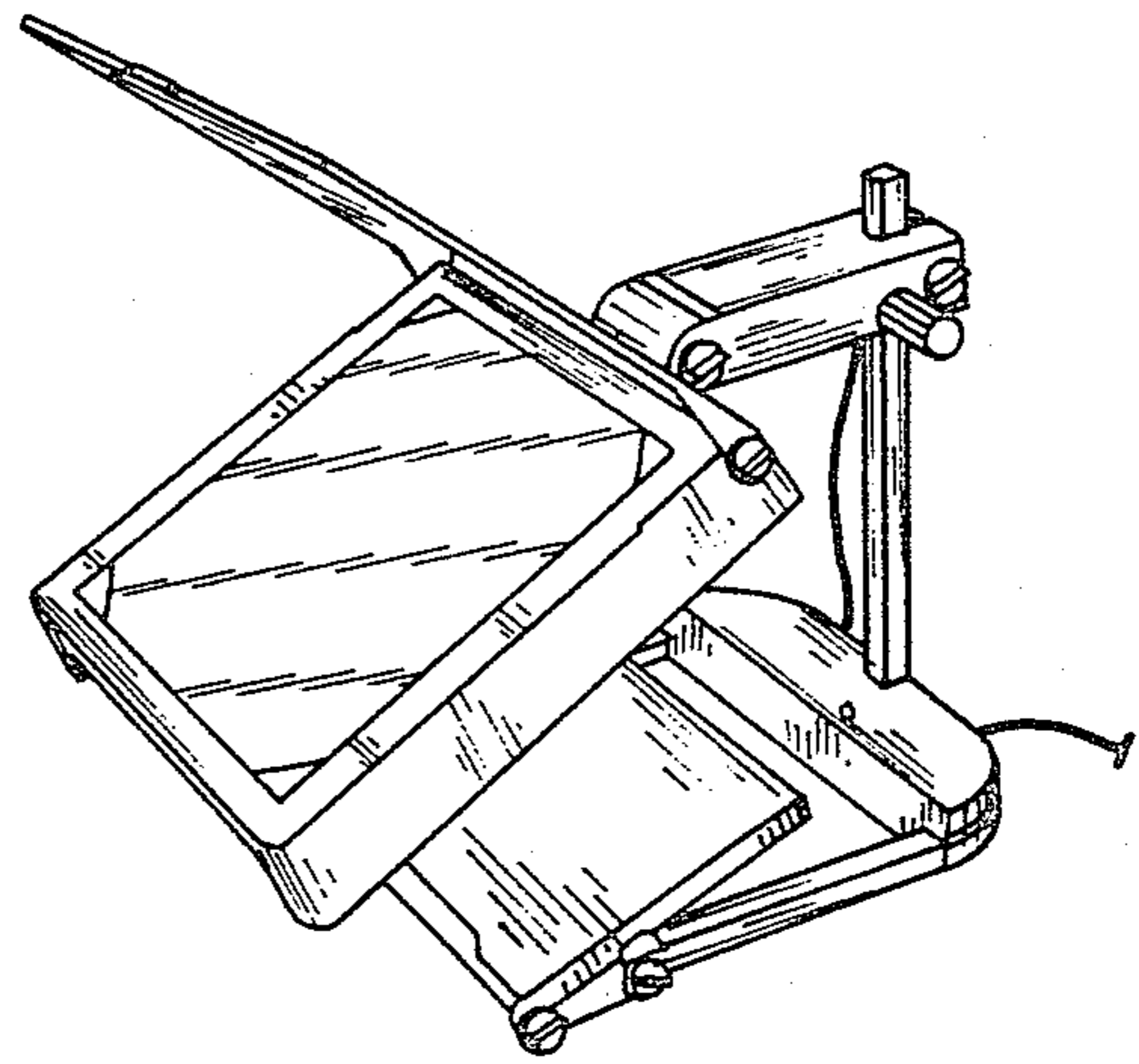


FIG. 4

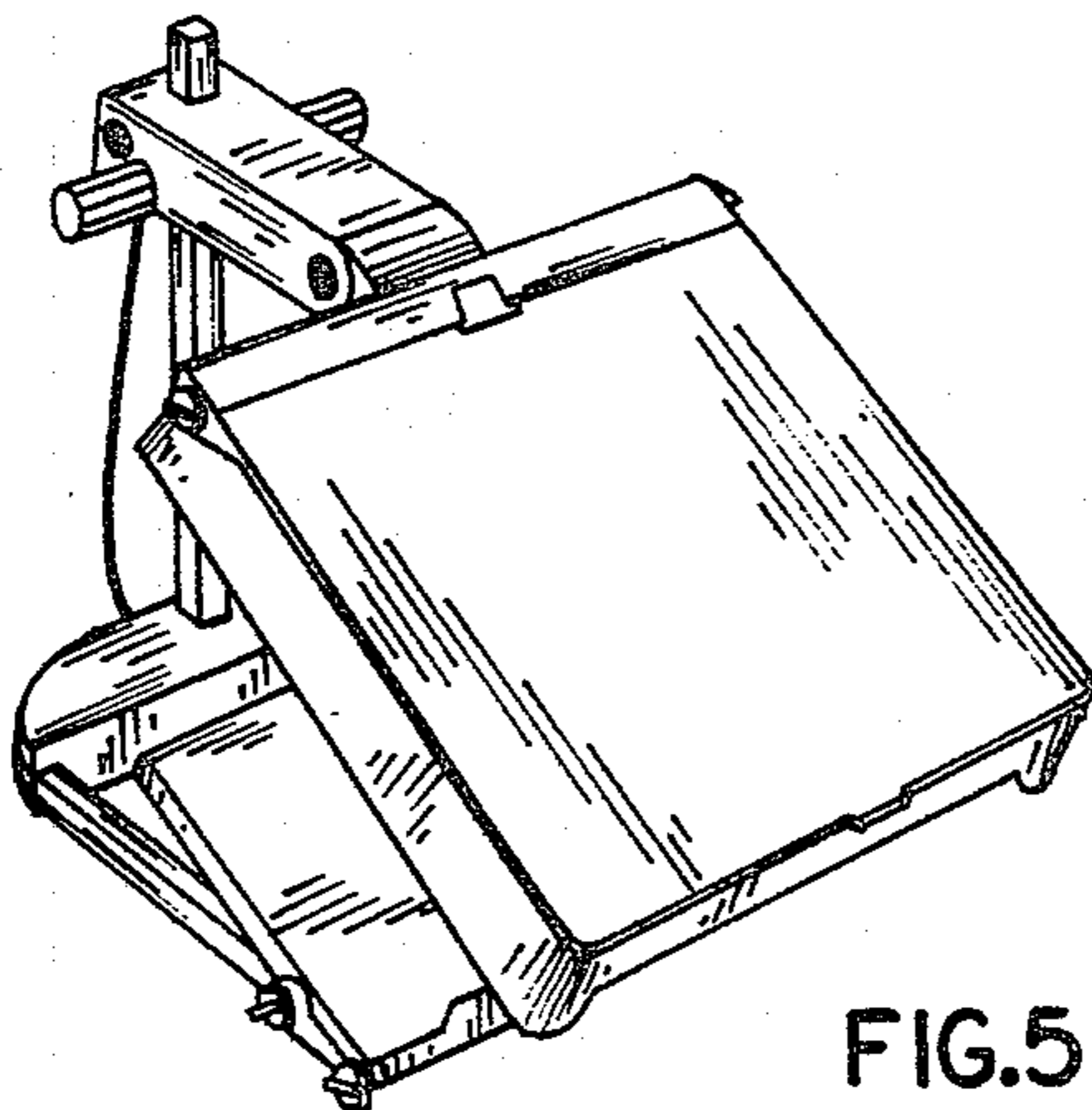


FIG. 5