

[54] **AUTOMATIC ORIGINAL FEED FOR COPYING APPARATUS**

[75] Inventor: **Hideyuki Kawazu**, Hachioji, Japan

[73] Assignee: **Olympus Optical Company, Ltd.**, Tokyo, Japan

[\*\*] Term: **14 Years**

[21] Appl. No.: **390,341**

[22] Filed: **Jun. 21, 1982**

[30] **Foreign Application Priority Data**

Jan. 12, 1982 [JP] Japan ..... 57-690

[52] U.S. Cl. .... **D16/32**

[58] Field of Search ..... D16/27-31, D16/32; 355/3 SH, 14 SH; 271/3, 3.1, 4, 9, 35, 171, 273-274, 280, 284, 287-297, 305; D14/110, 114

[56] **References Cited**

**U.S. PATENT DOCUMENTS**

D. 157,515	2/1950	Perzentka	.....	D16/32
D. 160,862	11/1950	Johnson	.....	D14/114
D. 214,959	8/1969	Anderson	.....	D16/30
D. 234,005	12/1974	Vagi	.....	D16/27
D. 263,662	4/1982	Kurozumi	.....	D16/32
3,262,697	7/1966	Krinke	.....	271/35 X
3,891,203	6/1975	Schiff	.....	271/35 X
4,279,504	7/1981	Brown	.....	271/3.1 X
4,421,404	12/1983	Conly	.....	271/3.1 X

*Primary Examiner*—Nelson C. Holtje  
*Attorney, Agent, or Firm*—Louis Weinstein

[57] **CLAIM**

The ornamental design for an automatic original feed for copying apparatus, as shown and described.

**DESCRIPTION**

FIG. 1 is a top, front, right side perspective view of an automatic original feed for copying apparatus, showing my new design;

FIG. 2 is a rear, bottom, left side perspective view thereof;

FIG. 3 is a front elevational view thereof;

FIG. 4 is a rear elevational view thereof;

FIG. 5 is a right side elevational view thereof;

FIG. 6 is a left side elevational view thereof;

FIG. 7 is a top plan view thereof;

FIG. 8 is a bottom plan view thereof;

FIG. 9 is a front elevational view thereof in an operational position, the broken-line showing of a copier being environmental only and forming no part of the claimed design;

FIG. 10 is a front elevational view thereof in the manual feed position, the broken-line showing of a copier being environmental only and forming no part of the claimed design;

FIG. 11 is a right side elevational view thereof in a non-coupled position, the broken-line showing of a copier being environmental only and forming no part of the claimed design.

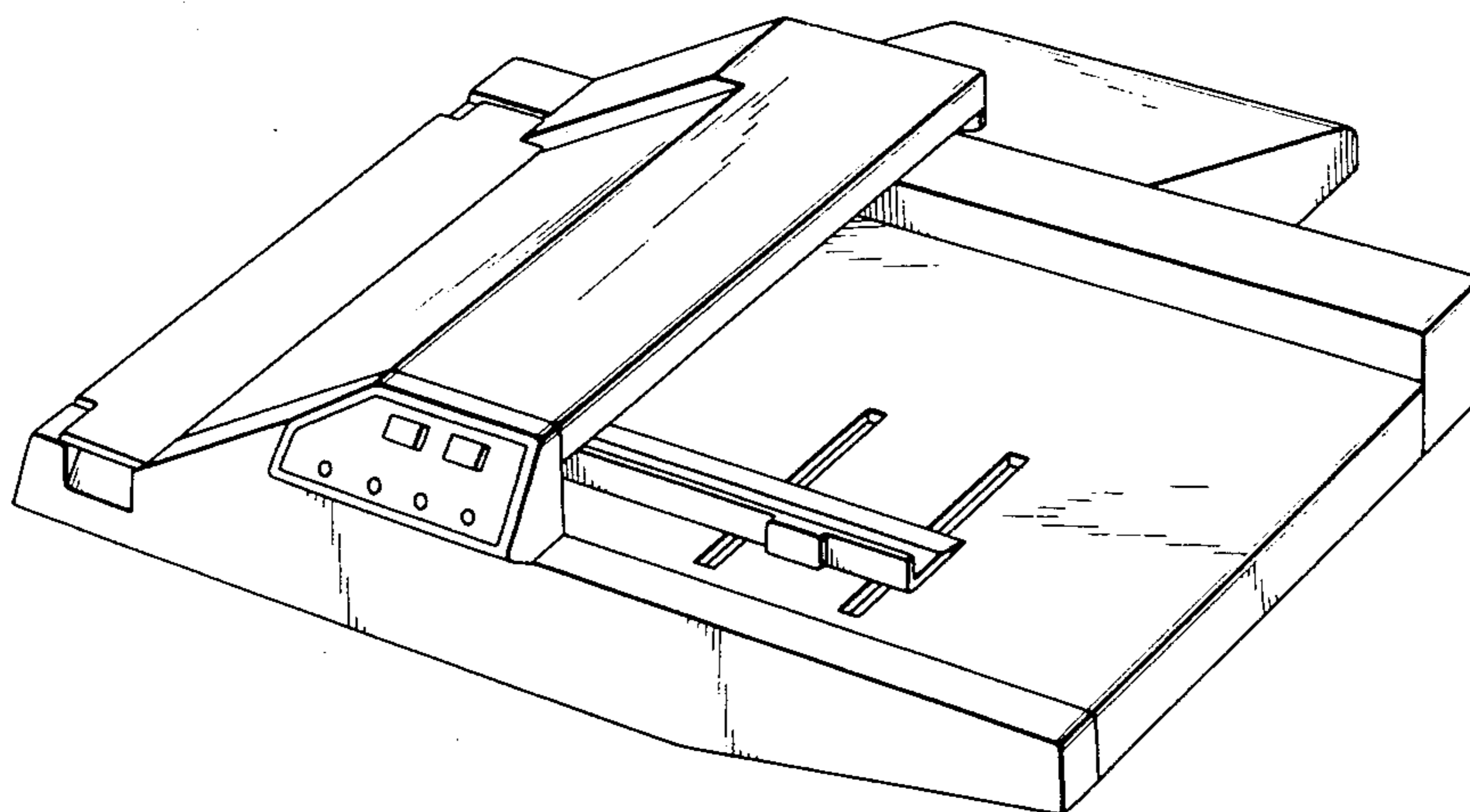


FIG. 1

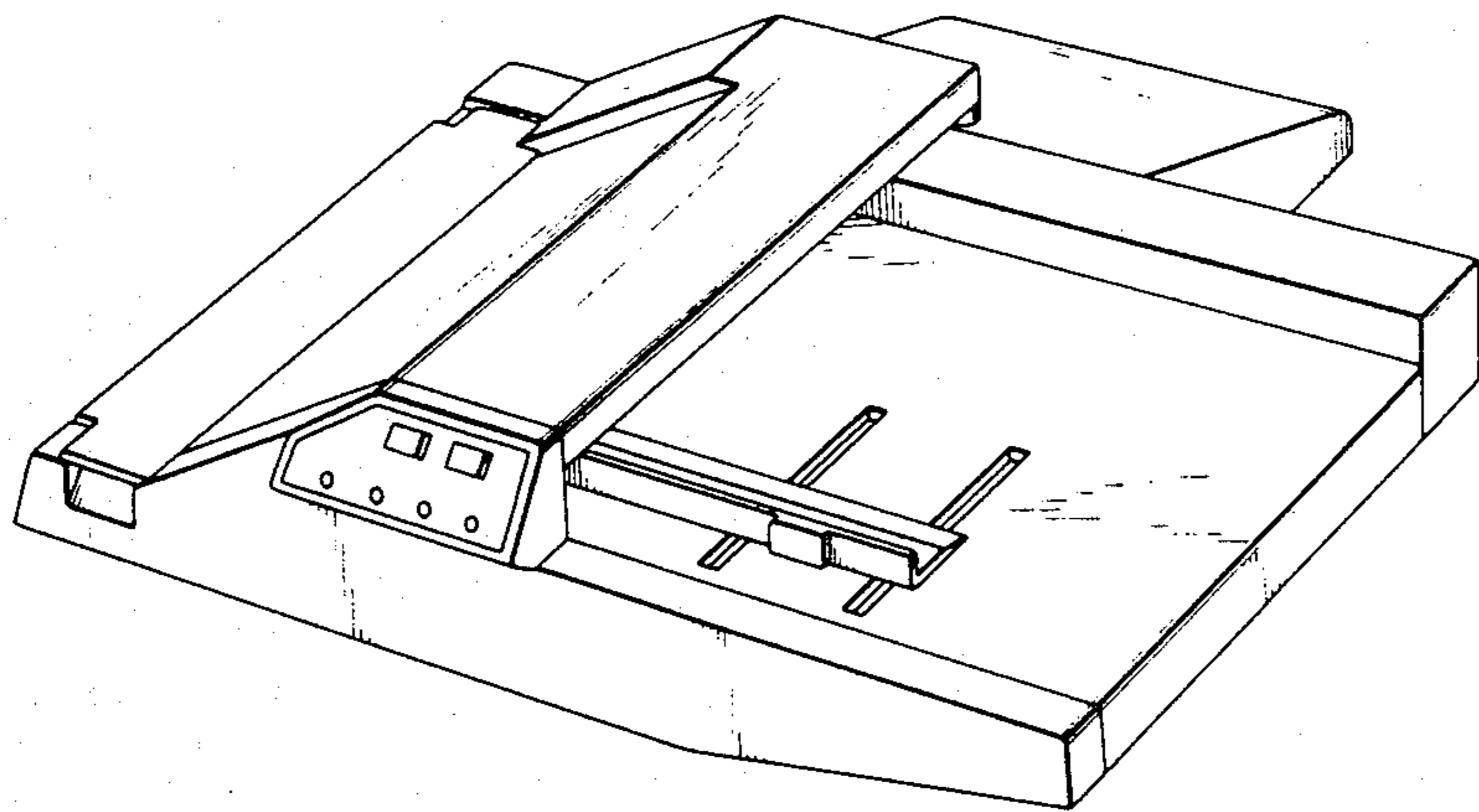


FIG. 2

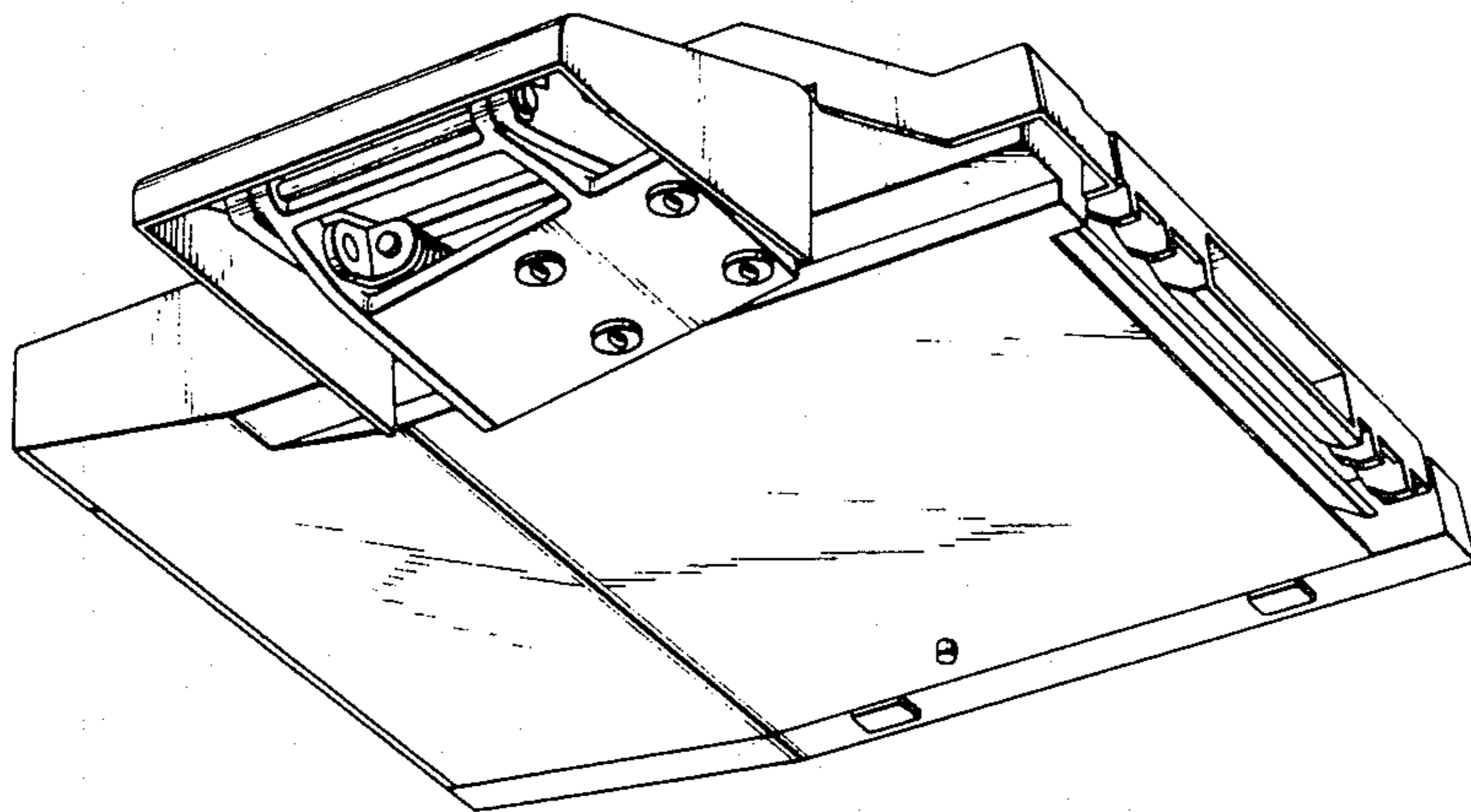


FIG. 3

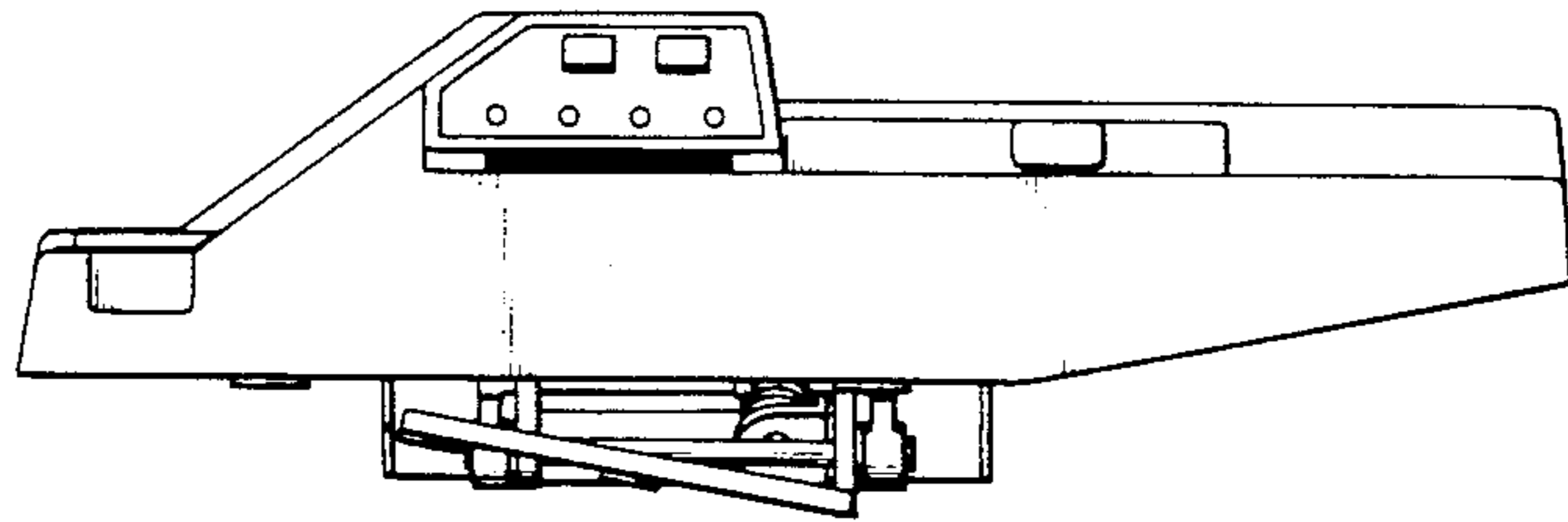


FIG. 4

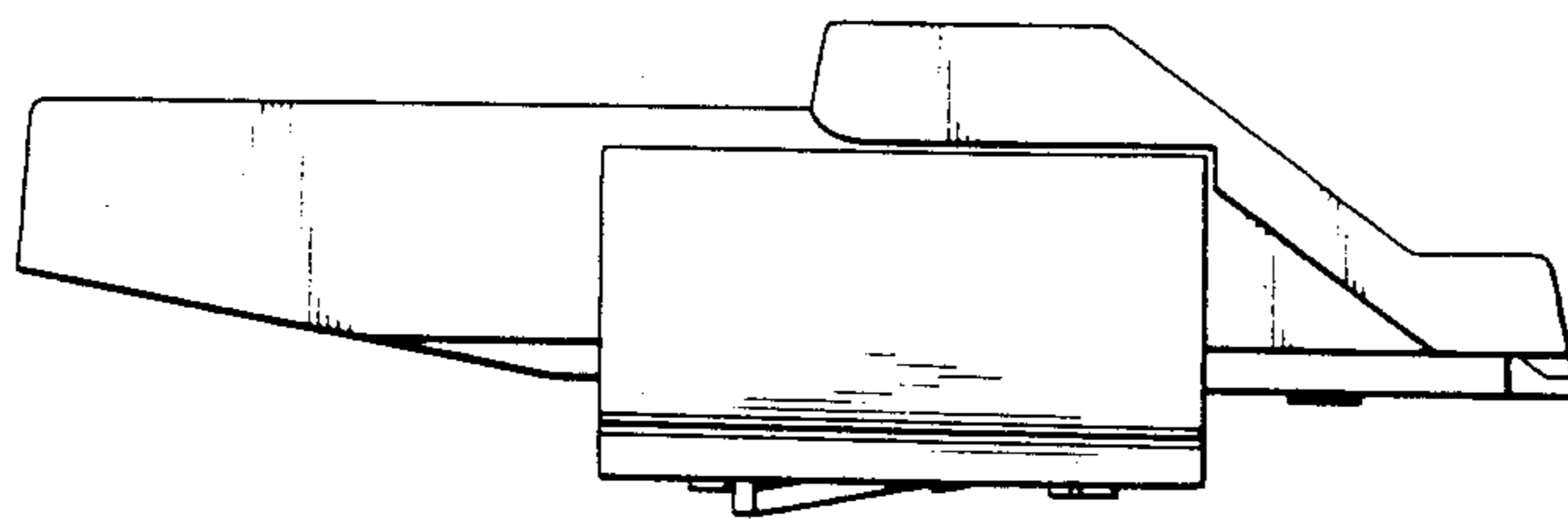


FIG. 5

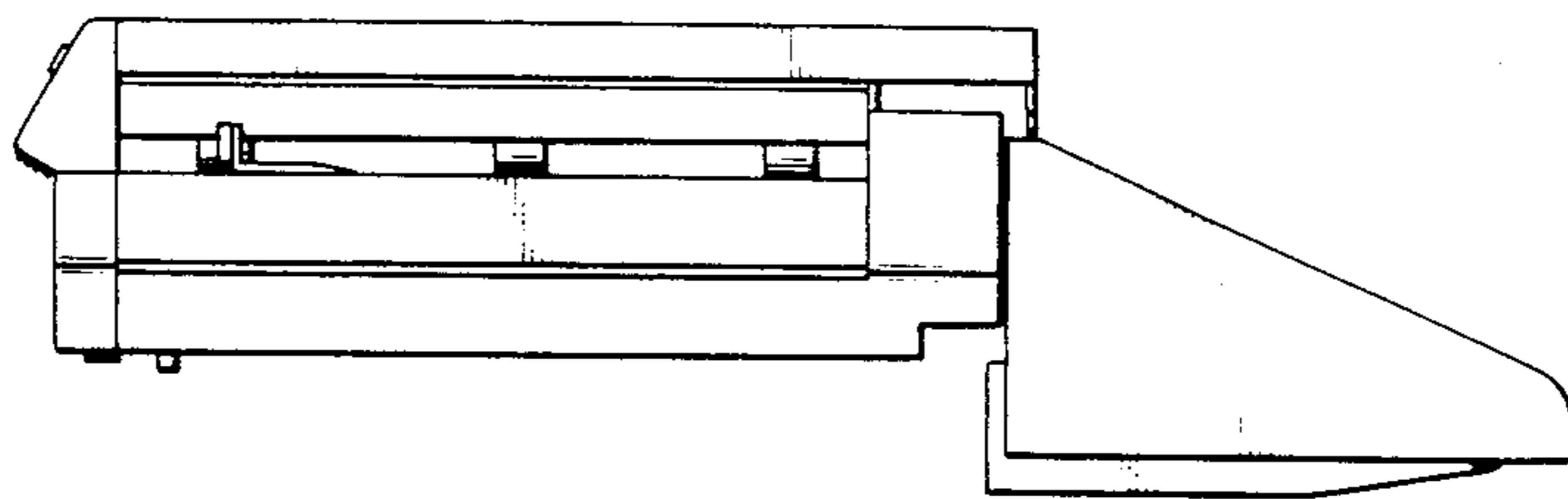


FIG. 6

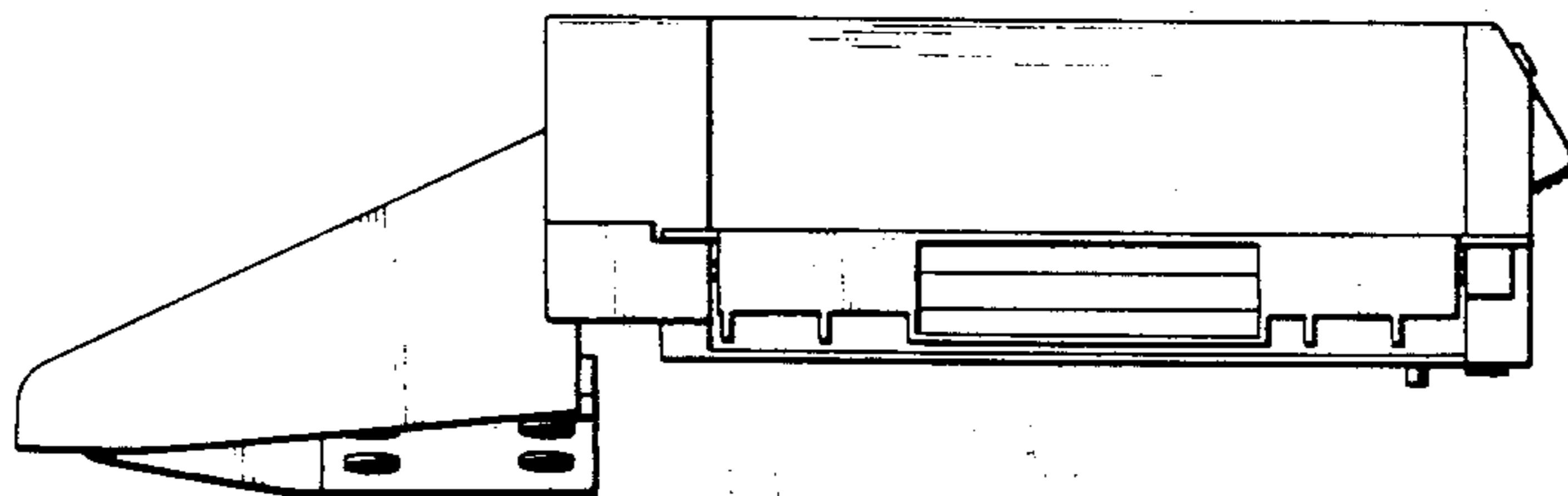


FIG. 7

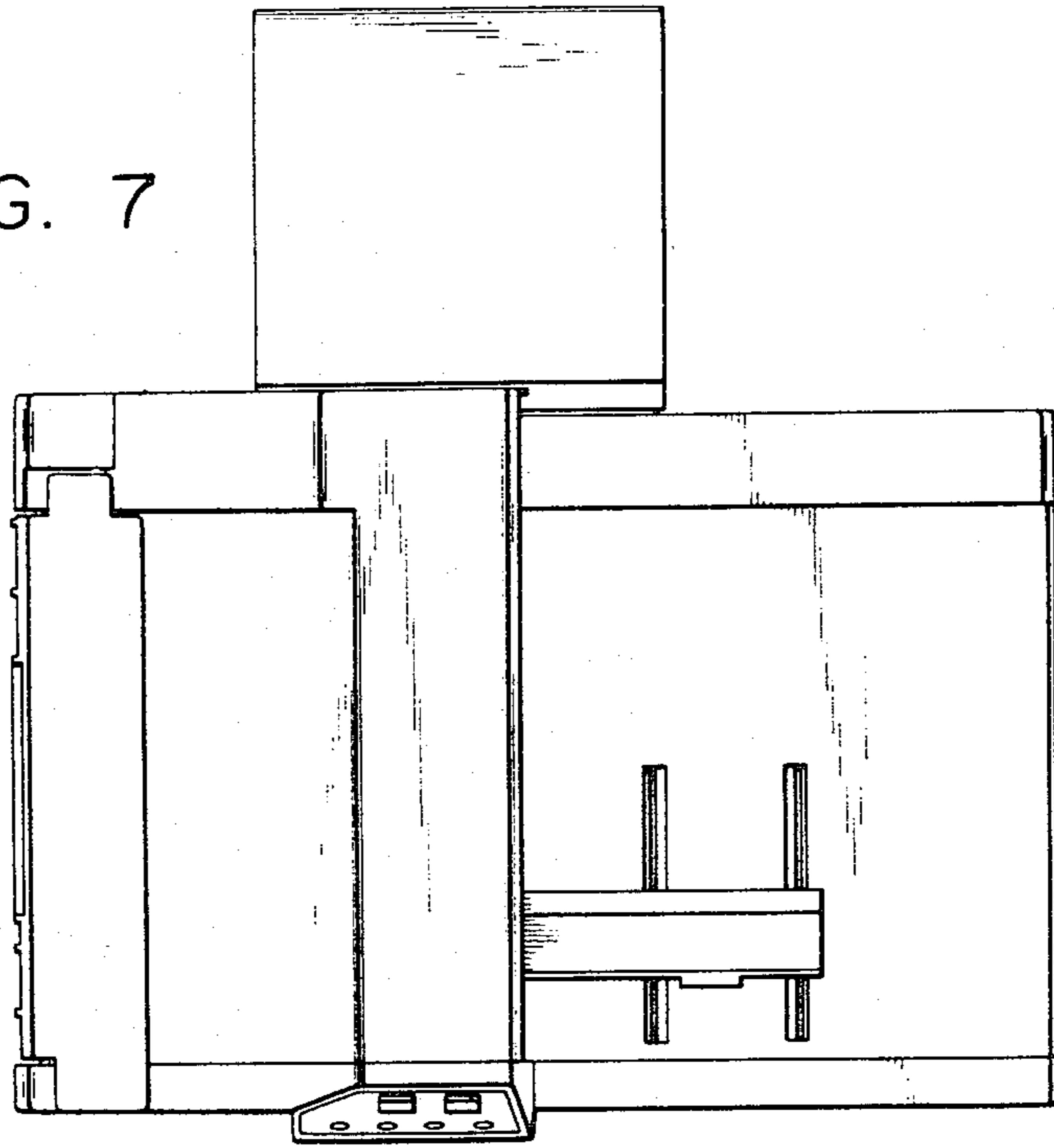


FIG. 8

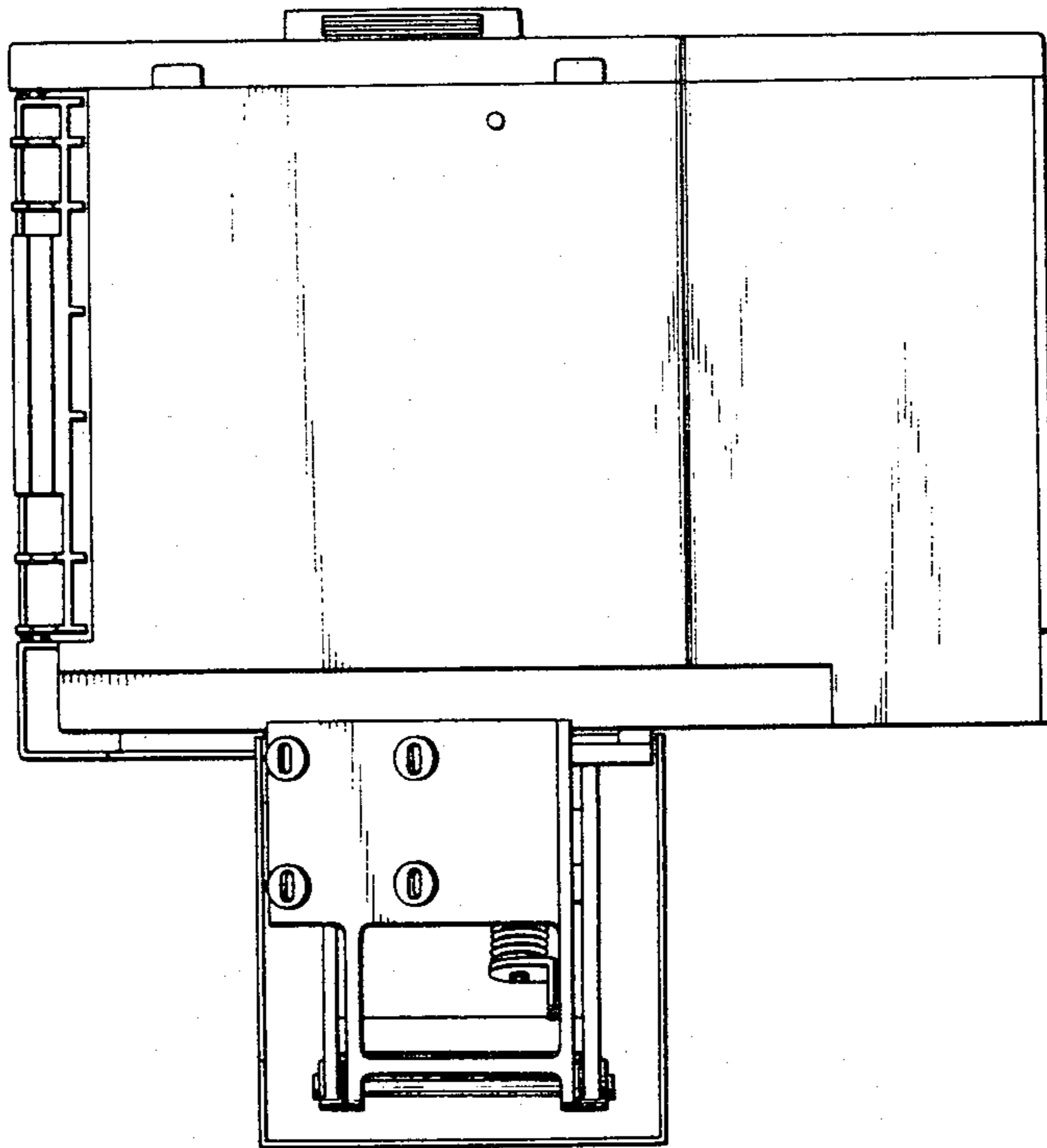


FIG. 9

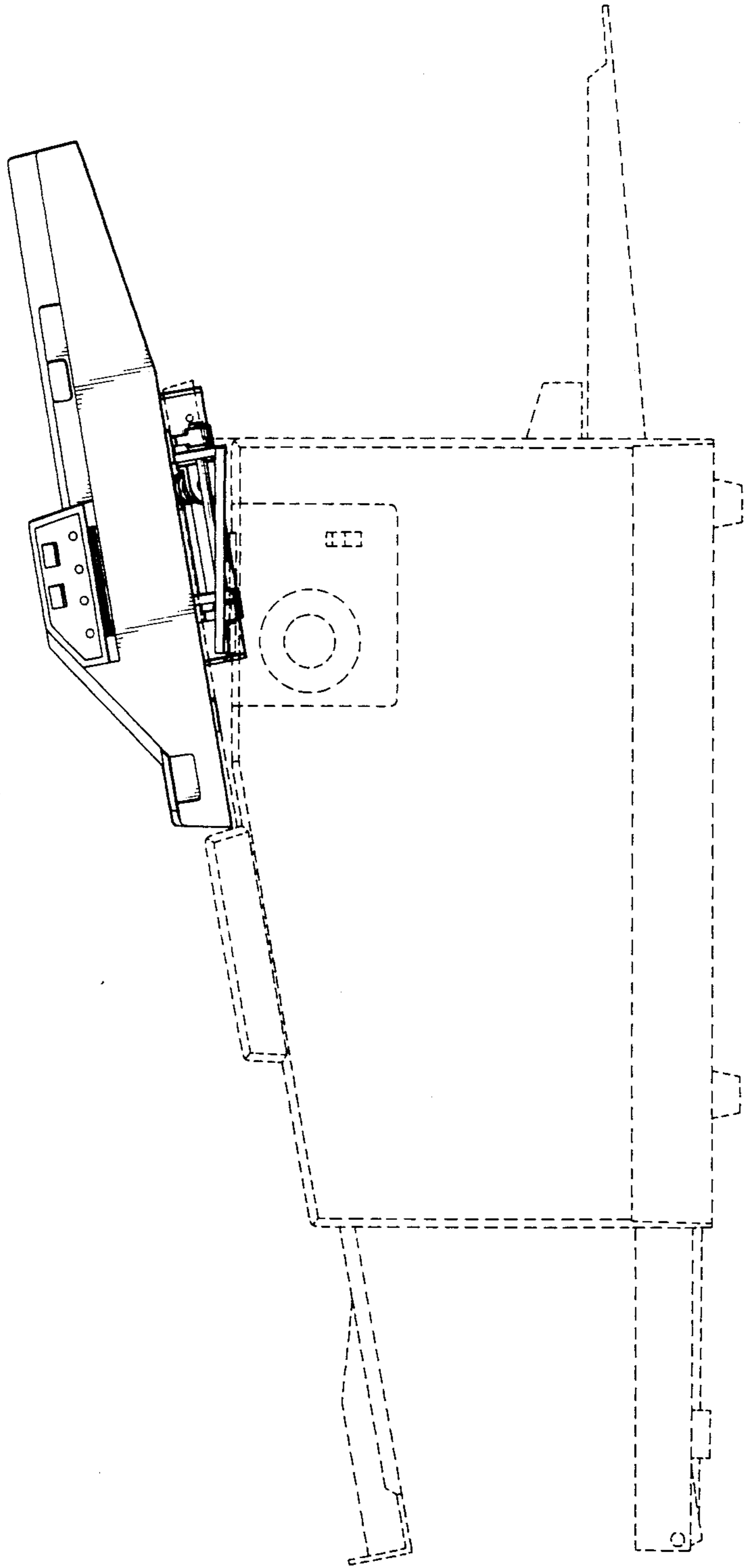


FIG. 10

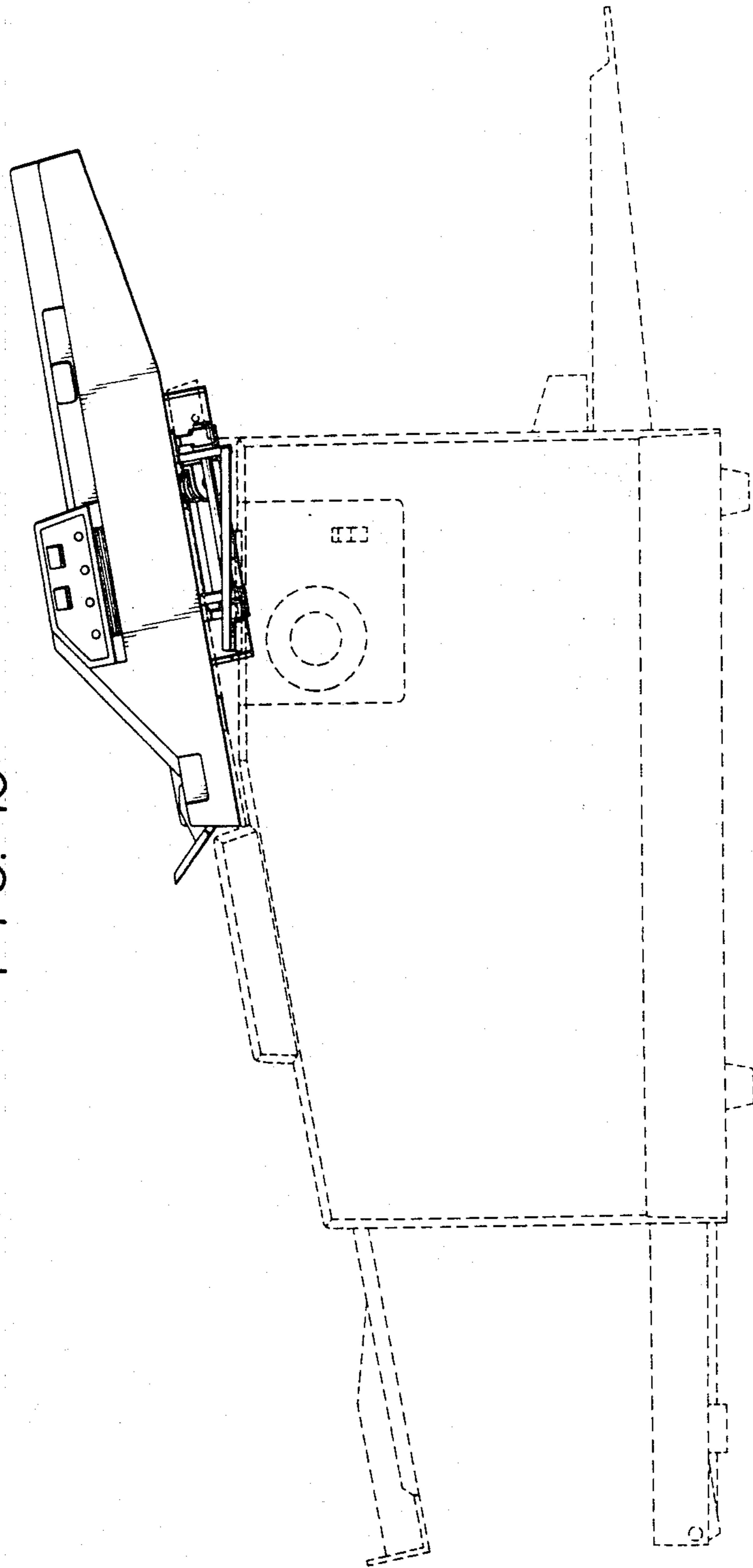


FIG. II

