

[54] ELECTROSTATIC COPIER

4,204,668 5/1980 Yanagana 355/14 SH X

[75] Inventors: Yasuhiro Saito, Tokyo; Tetsuya Goto; Toshio Umino, both of Kanagawa, all of Japan

[73] Assignee: Ricoh Company, Ltd., Japan

[**] Term: 14 Years

[21] Appl. No.: 413,222

[22] Filed: Aug. 25, 1982

[30] Foreign Application Priority Data

Feb. 25, 1982 [JP] Japan 57-7802

[52] U.S. Cl. D16/31

[58] Field of Search D16/27, 28, 29, 30, D16/31, 32; 355/3, 5, 3 SH, 14 SH, 8, 9, 11, 51

[56] References Cited

U.S. PATENT DOCUMENTS

- D. 251,912 5/1979 Nakade D16/31
- D. 264,345 5/1982 Masaki D16/31
- D. 265,656 8/1982 Matsushima D16/31
- D. 266,253 9/1982 Horikoshi D15/31
- D. 269,274 6/1983 Hofland D16/31

OTHER PUBLICATIONS

Toshiba (Flyer) Model BD 3503-12/1/80—Copier on front cover.

Toshiba (Flyer) Model BD 7501-12/1/80—Copier on front cover.

Primary Examiner—Nelson C. Holtje

Attorney, Agent, or Firm—Guy W. Shoup

[57] CLAIM

The ornamental design for an electrostatic copier, as shown and described.

DESCRIPTION

FIG. 1 is a front and top-right perspective view of an electrostatic copier showing our new design;
 FIG. 2 is a front elevational view thereof;
 FIG. 3 is a top plan view thereof;
 FIG. 4 is a right side elevational view thereof;
 FIG. 5 is a left side elevational view thereof;
 FIG. 6 is a rear elevational view thereof;
 FIG. 7 is a bottom plan view thereof; and
 FIG. 8 is a front and top-right perspective view thereof with the paper feed trays and copy receipt rack in place.

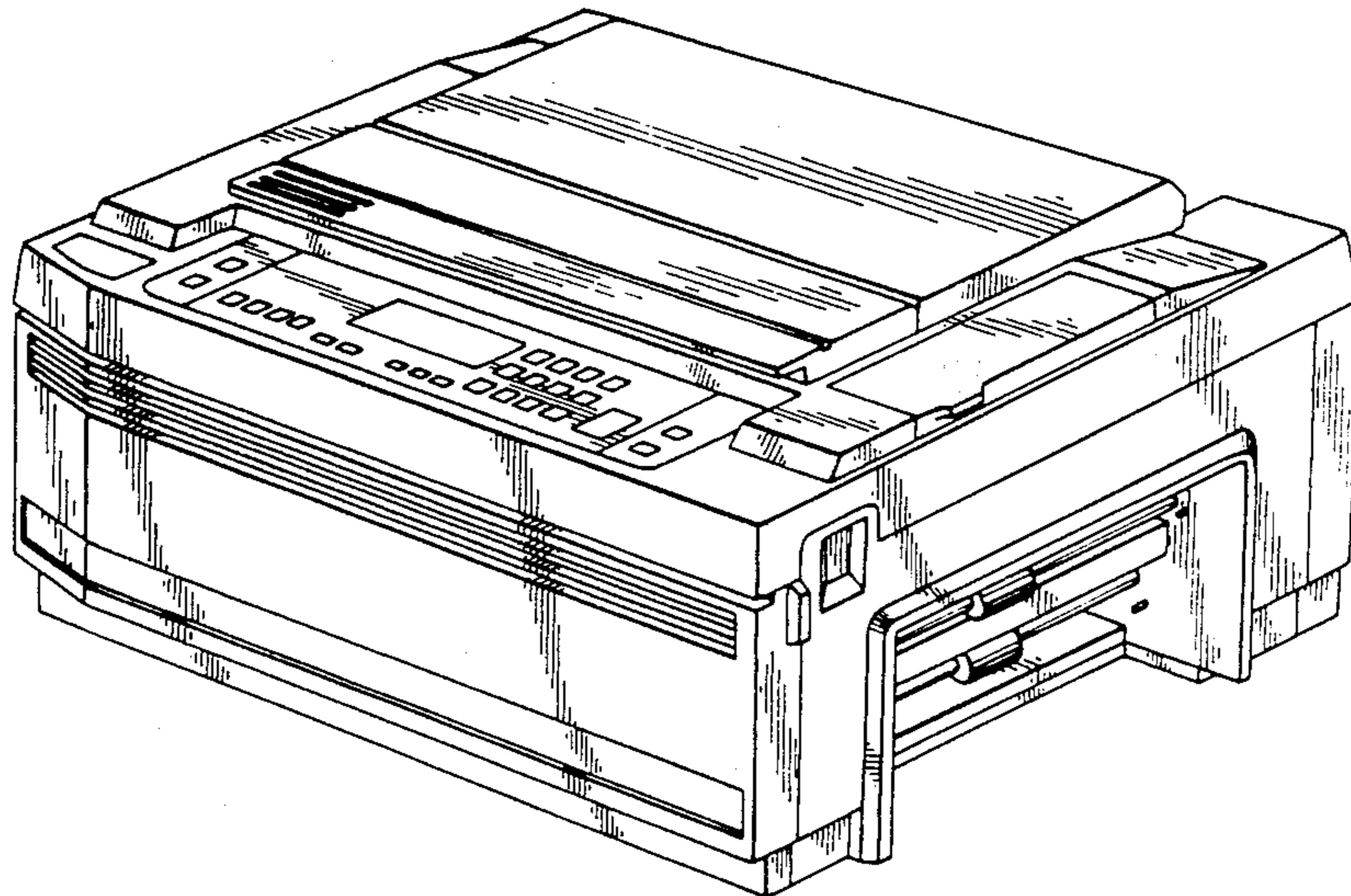


FIG. 1

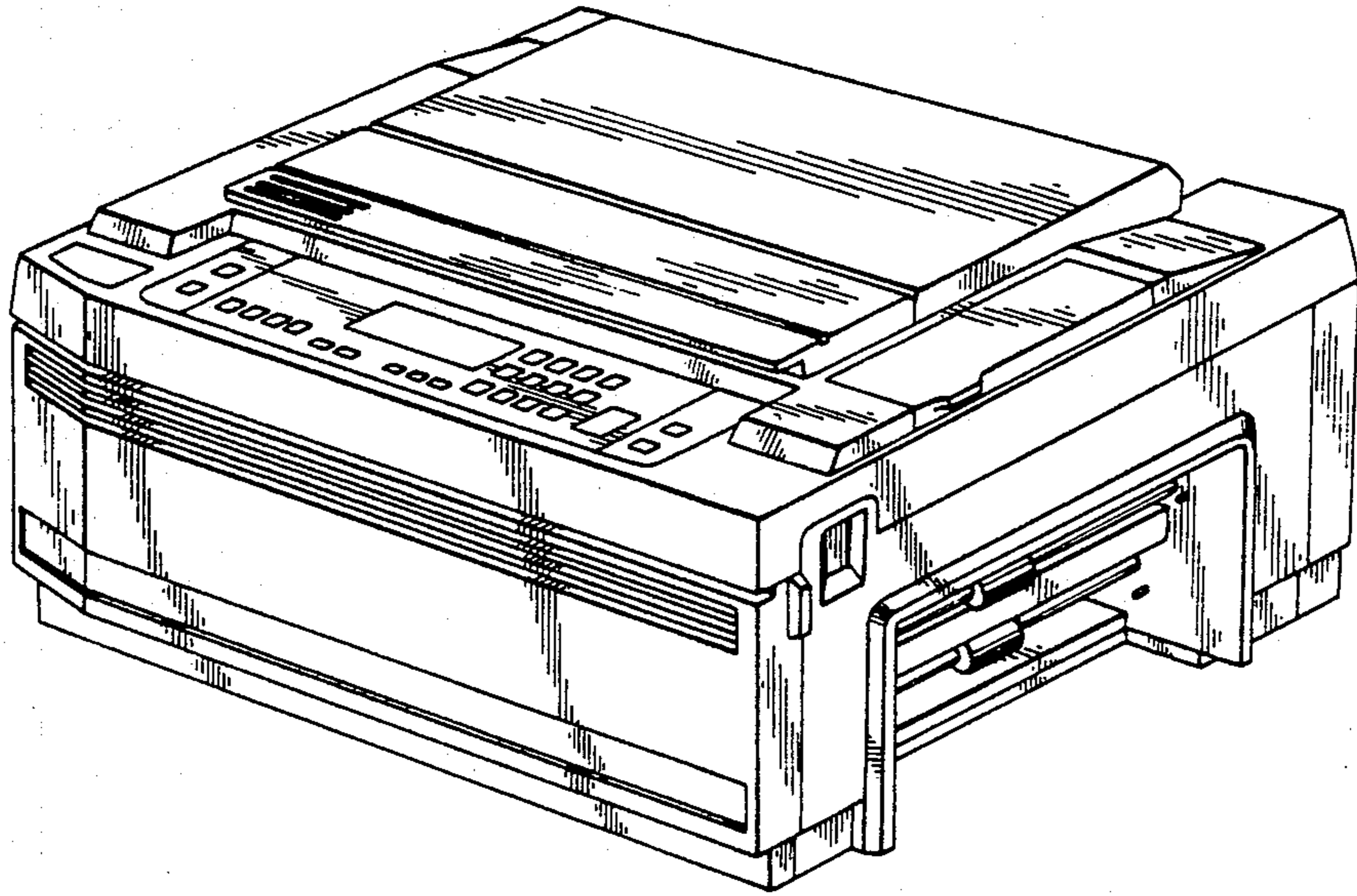


FIG. 2

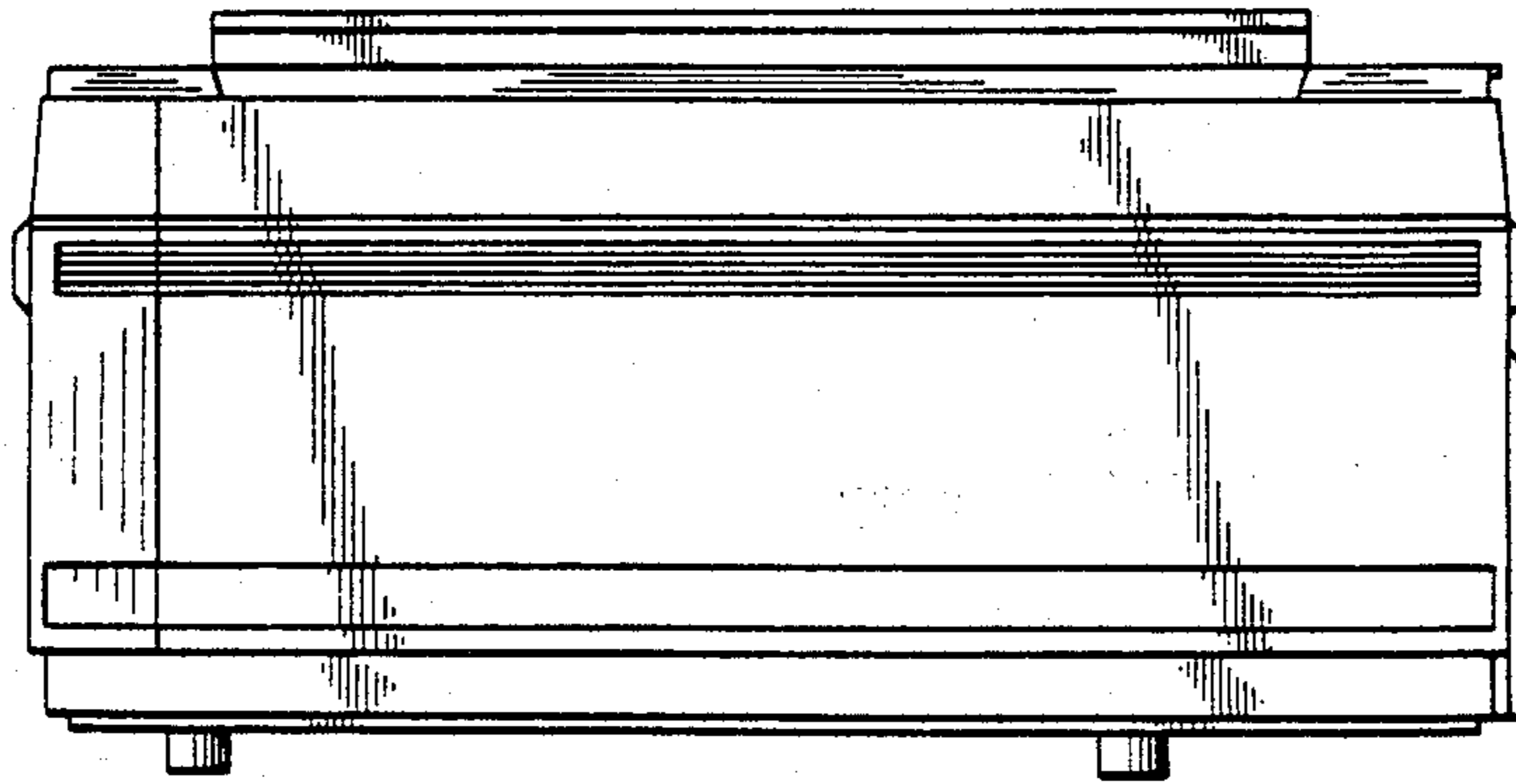


FIG. 3

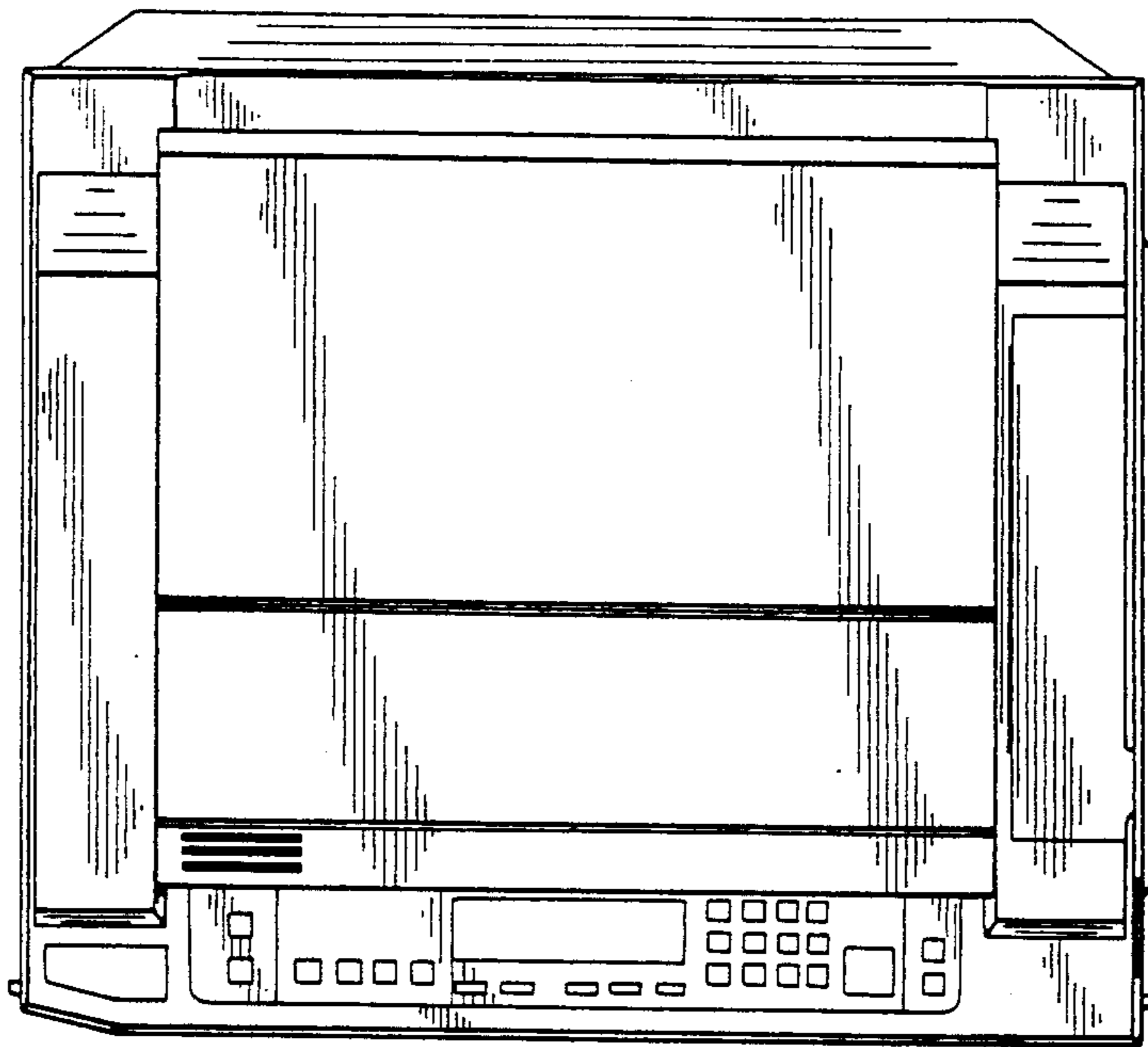


FIG. 7

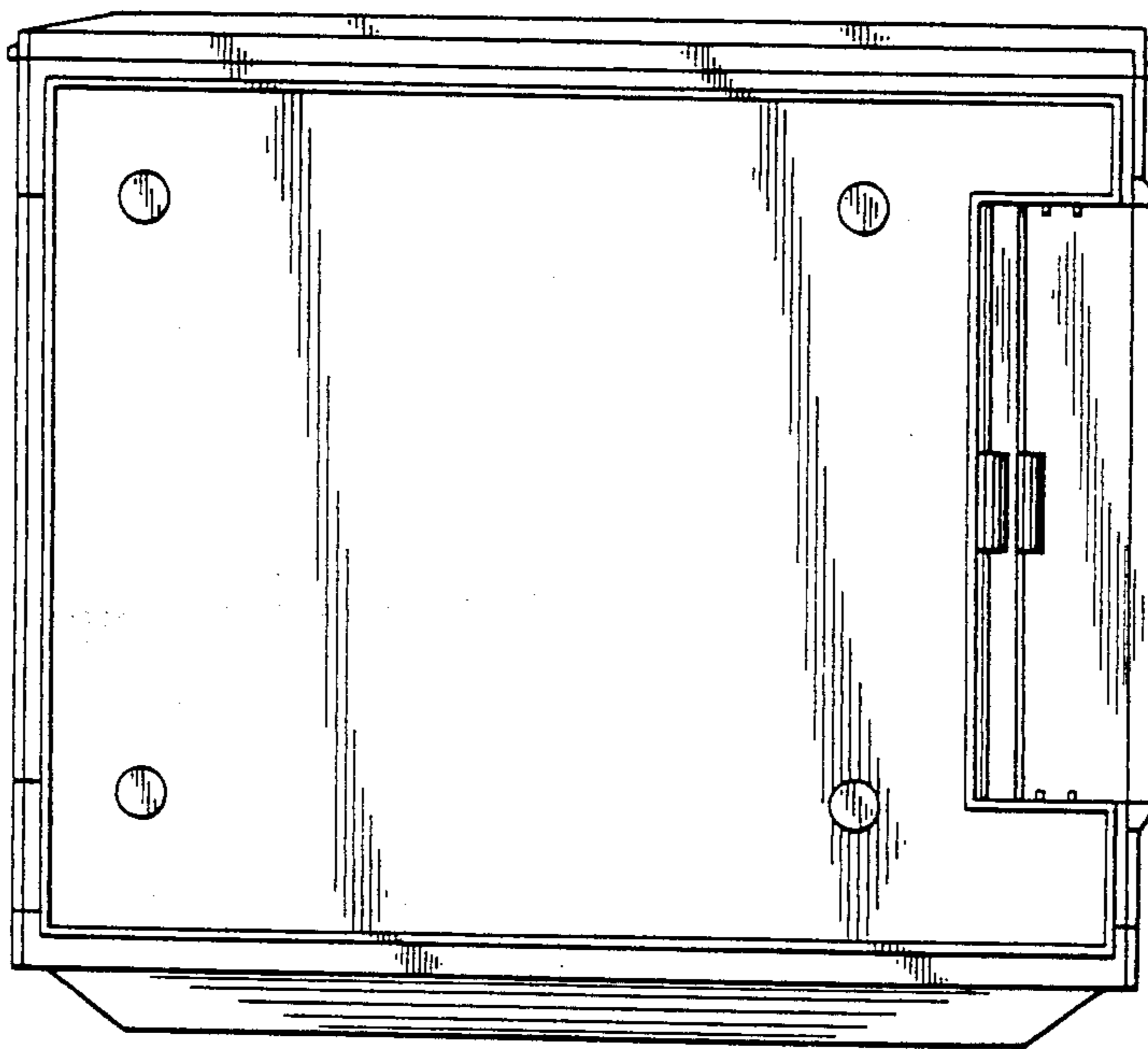


FIG. 4

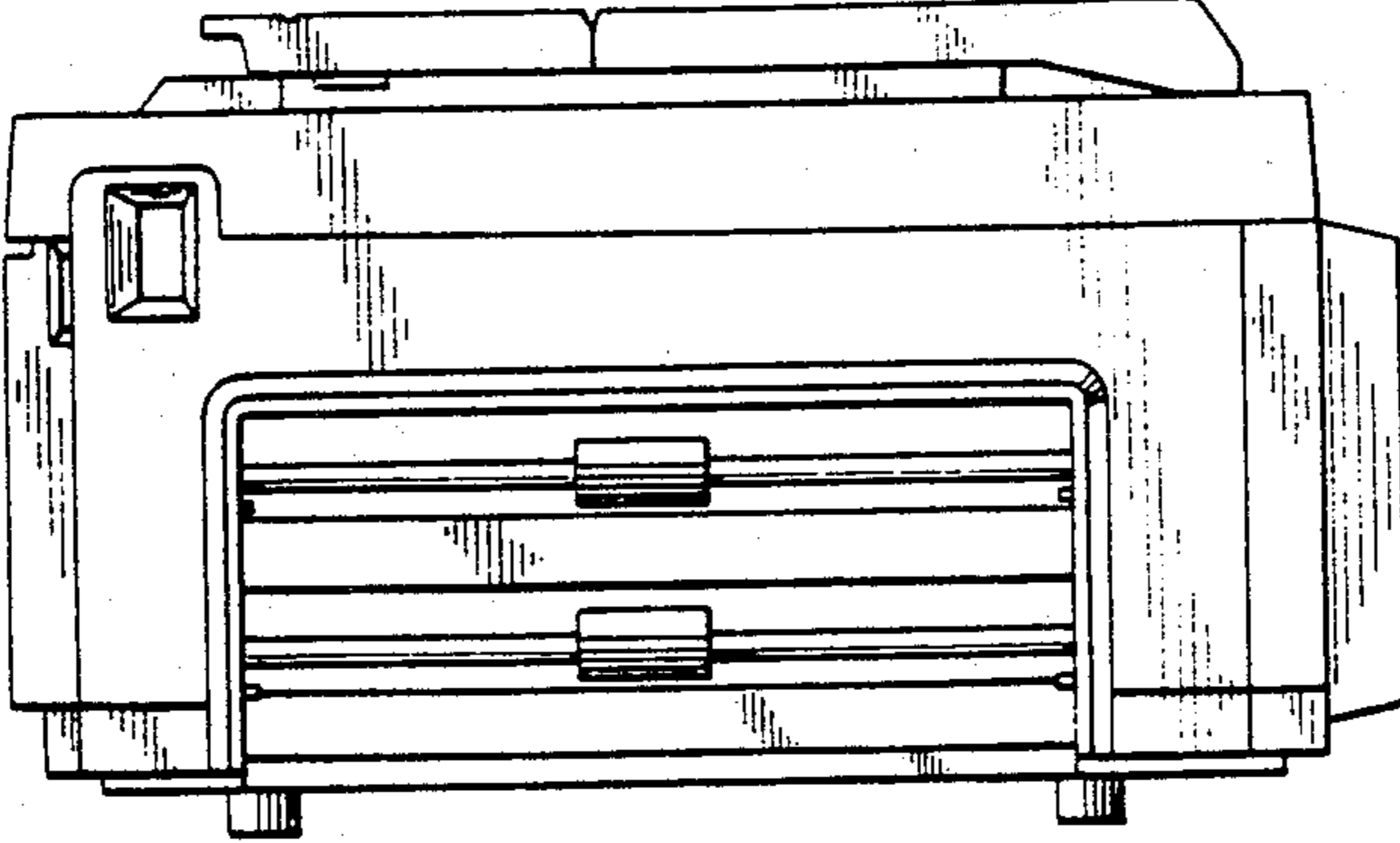


FIG. 5

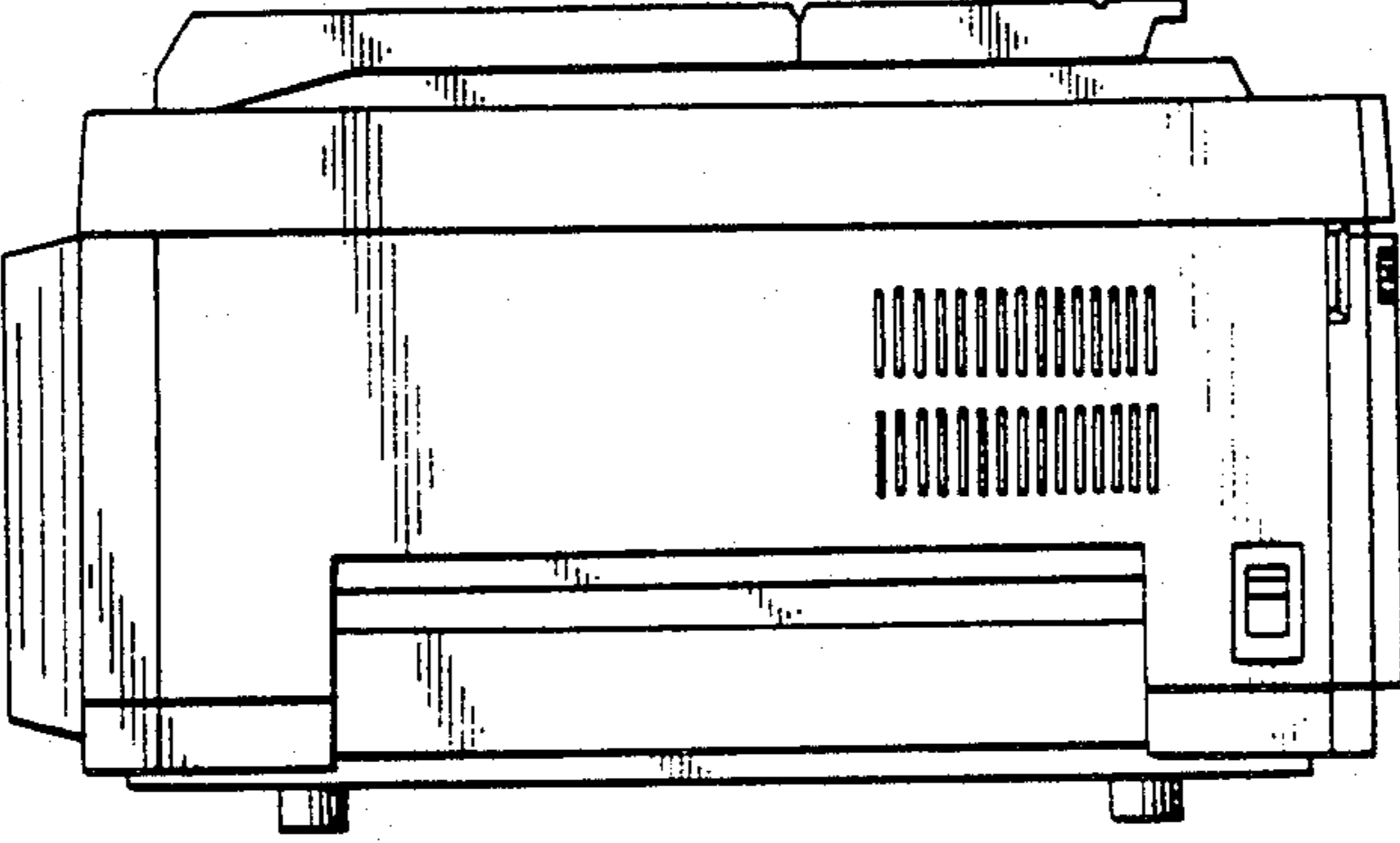


FIG. 6

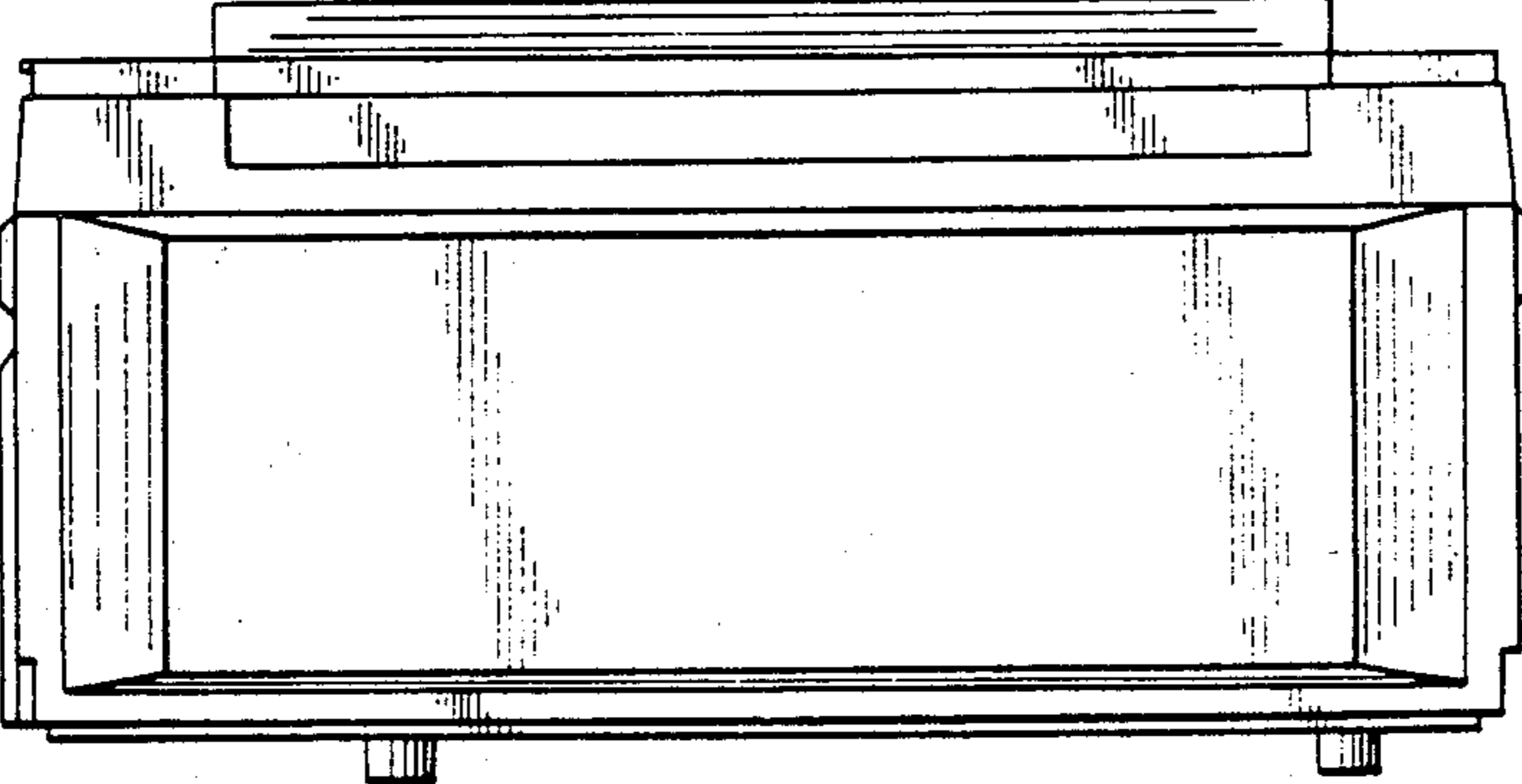


FIG. 8

