

[54] CAMERA FOR VIDEO TAPE RECORDER

[75] Inventors: Koya Kurokawa; Noriyuki Arai, both of Ehime, Japan

[73] Assignee: Matsushita Electric Industrial Co., Ltd., Osaka, Japan

[**] Term: 14 Years

[21] Appl. No.: 428,516

[22] Filed: Sep. 29, 1982

[30] Foreign Application Priority Data

Apr. 1, 1982 [JP] Japan 57-13981

Apr. 1, 1982 [JP] Japan 57-13982

[52] U.S. Cl. D14/78; D14/84; D16/4

[58] Field of Search D14/78, 84; 352/243, 352/242, 72; 354/293, 82; D16/4

[56] References Cited

U.S. PATENT DOCUMENTS

- D. 246,787 12/1977 Bode et al. D16/4
- D. 247,568 3/1978 Miller et al. D16/4
- D. 255,241 6/1980 Ellermeier D14/78
- D. 260,894 9/1981 Ellermeier D14/78
- 3,504,965 4/1970 Lustig 352/242

OTHER PUBLICATIONS

- Best Catalog, 1980, p. 312, Item A, Camera.
- Evans Catalog, 1980, p. 241, Items 1-17, Lenses.
- High Fidelity, vol. 30, 11/80, p. A7, bottom left Video Camera.

Primary Examiner—Bernard Ansher
Assistant Examiner—Terry Pfeffer
Attorney, Agent, or Firm—Sughrue, Mion, Zinn, Macpeak, and Seas

[57] CLAIM

The ornamental design for camera for video taper recorder, as shown and described.

DESCRIPTION

FIG. 1 is a front, top and right side perspective view of a camera for video tape recorder showing our new design;

FIG. 2 is a rear, bottom and left side perspective view thereof;

FIG. 3 is a front elevational view thereof, with the handle in an upward position;

FIG. 4 is a rear elevational view thereof;

FIG. 5 is a front, top and right side perspective view thereof with the view finder removed;

FIG. 6 is a rear, bottom and left side perspective view thereof;

FIG. 7 is a front elevational view thereof, with the handle in an upward position;

FIG. 8 is a rear elevational view thereof;

FIG. 9 is a front, top and right side perspective view of a second embodiment of the design illustrated in FIG. 1, wherein the lense is larger.

FIG. 10 is a rear, bottom and left side perspective view thereof;

FIG. 11 is a front elevational view thereof, with the handle in an upward position;

FIG. 12 is a rear elevational view thereof;

FIG. 13 is a front, top and right side perspective view thereof with the view finder removed showing our new design as a further variant thereof;

FIG. 14 is a rear, bottom and left side perspective view thereof;

FIG. 15 is a front elevational view thereof, with the handle in an upward position; and

FIG. 16 is a rear elevational view thereof.

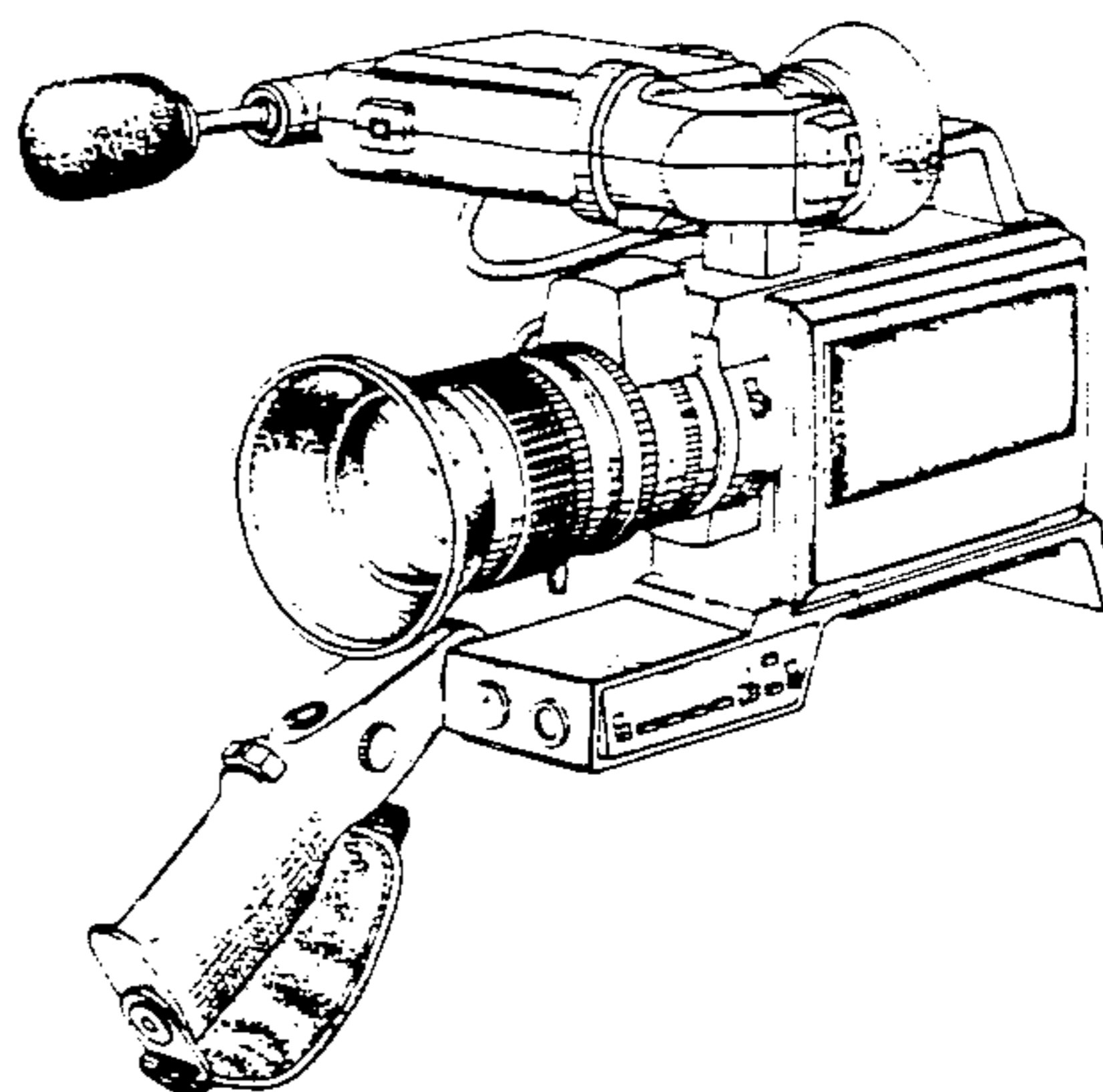
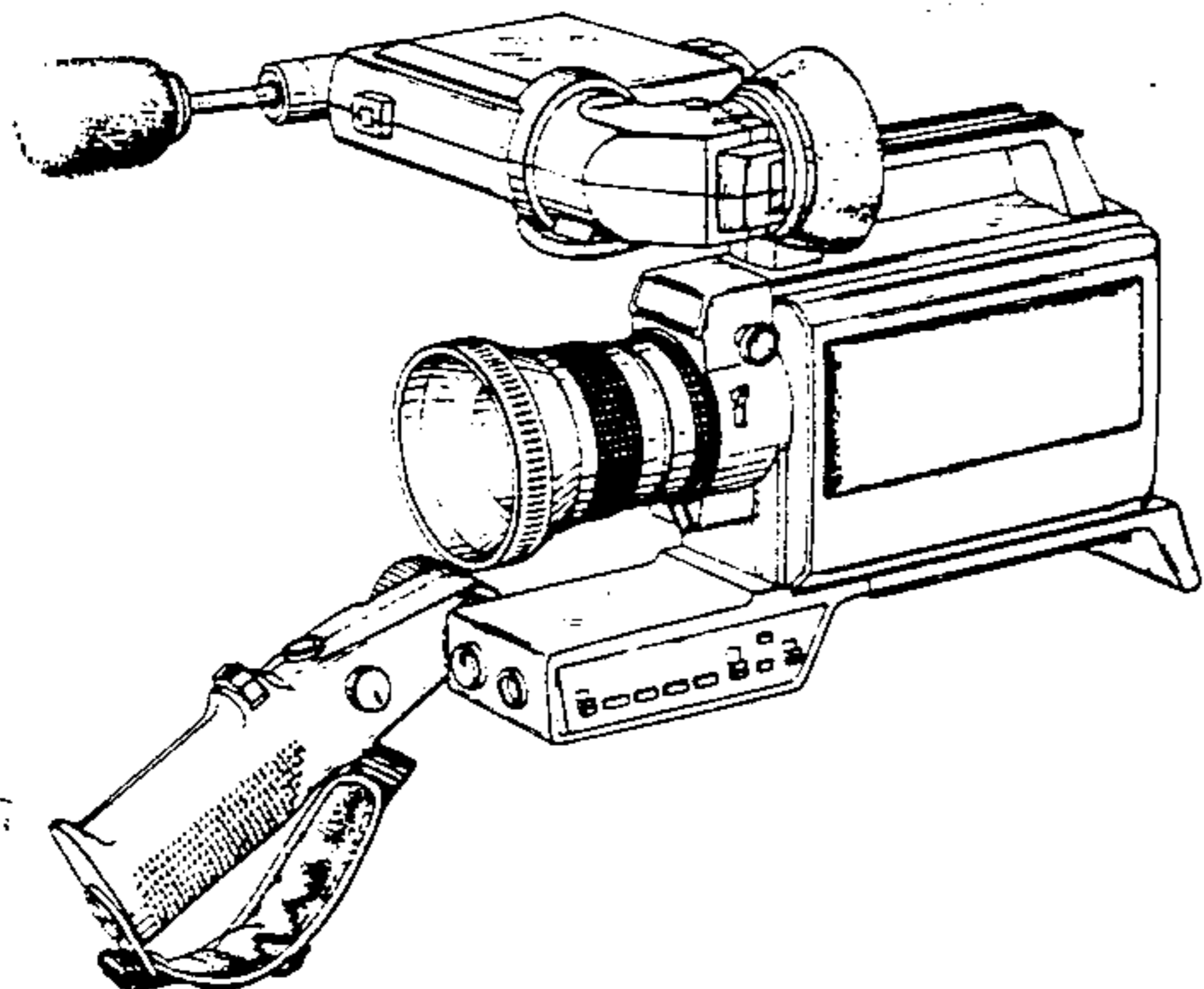


FIG. 1

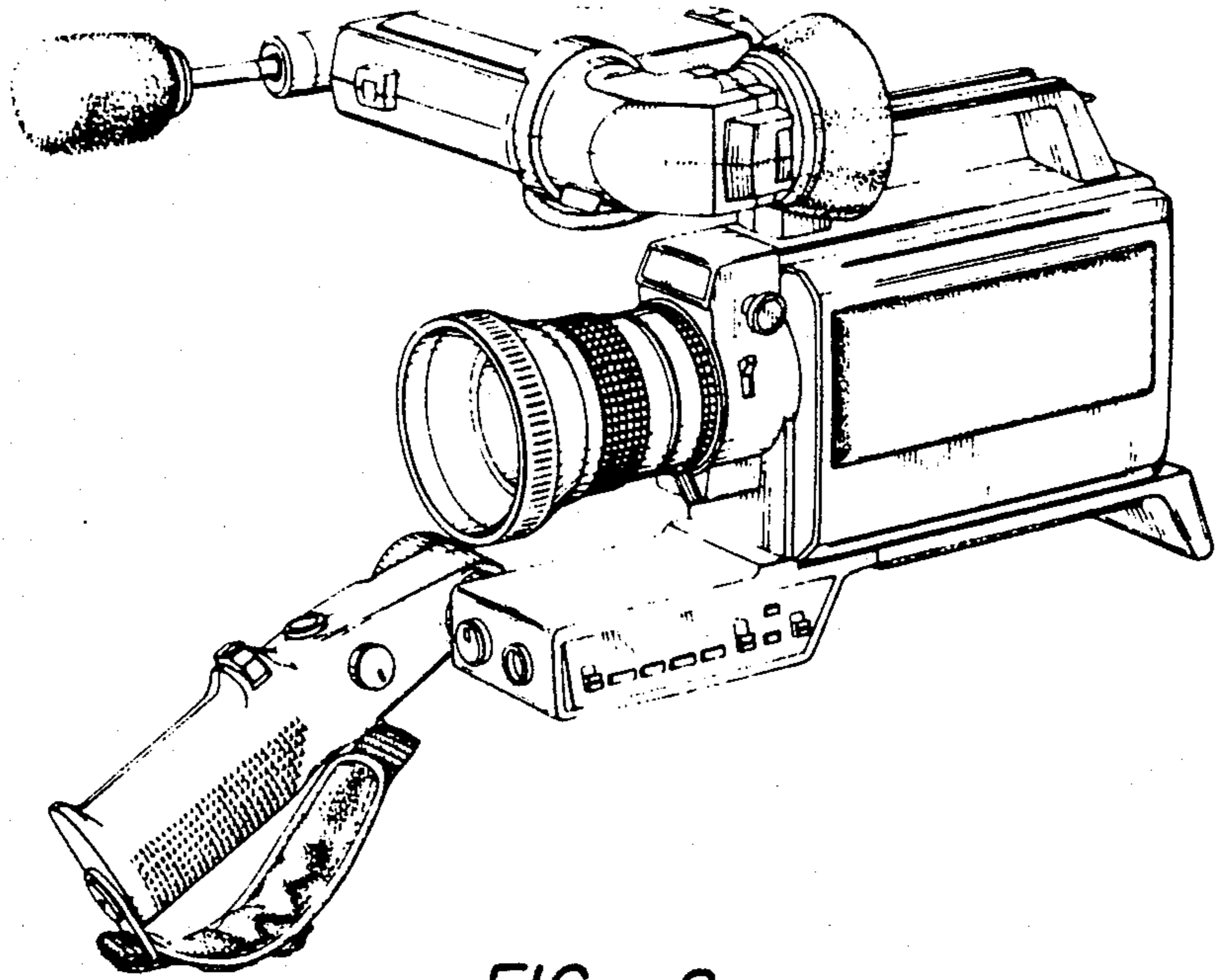


FIG. 2

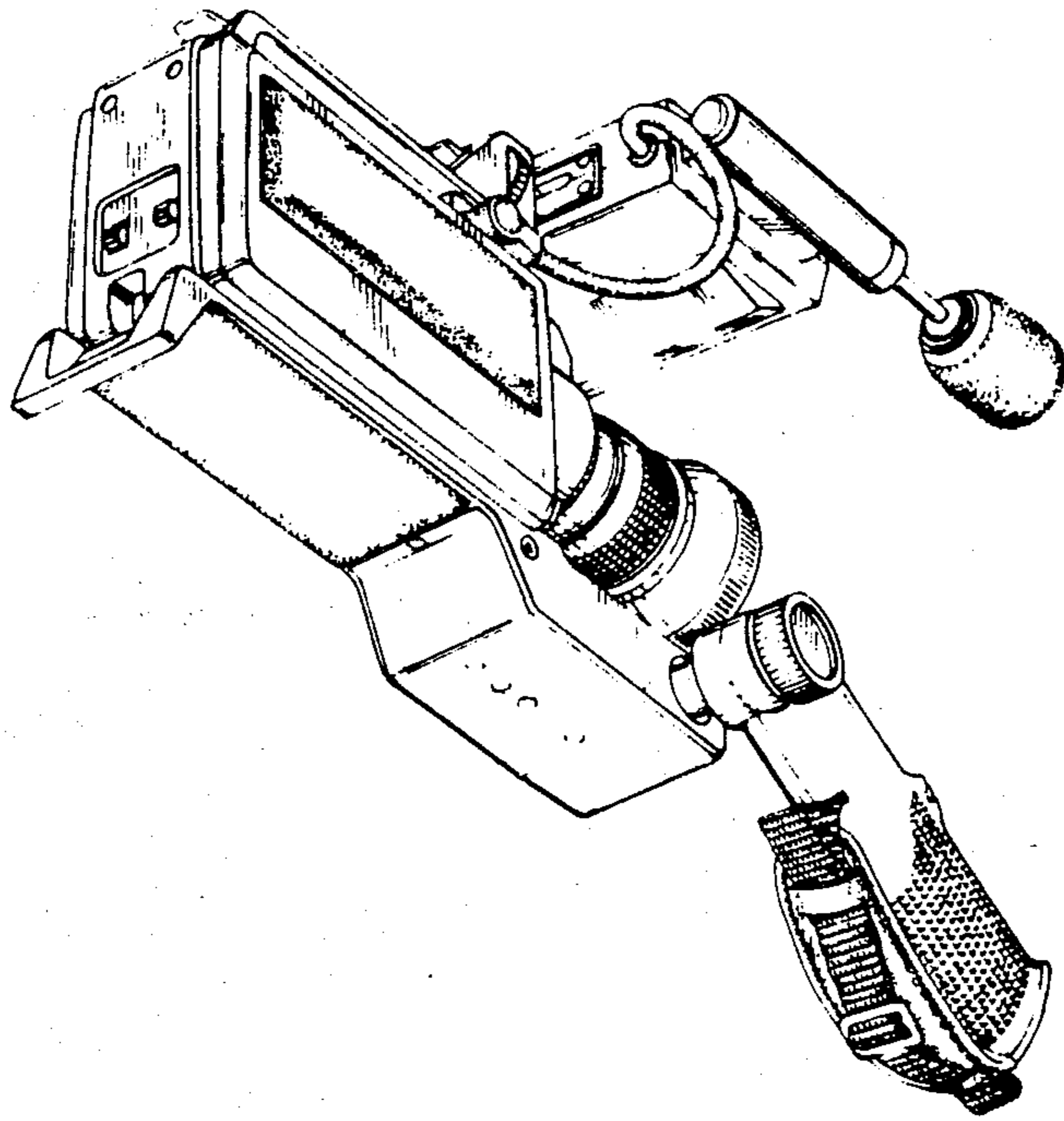


FIG. 3

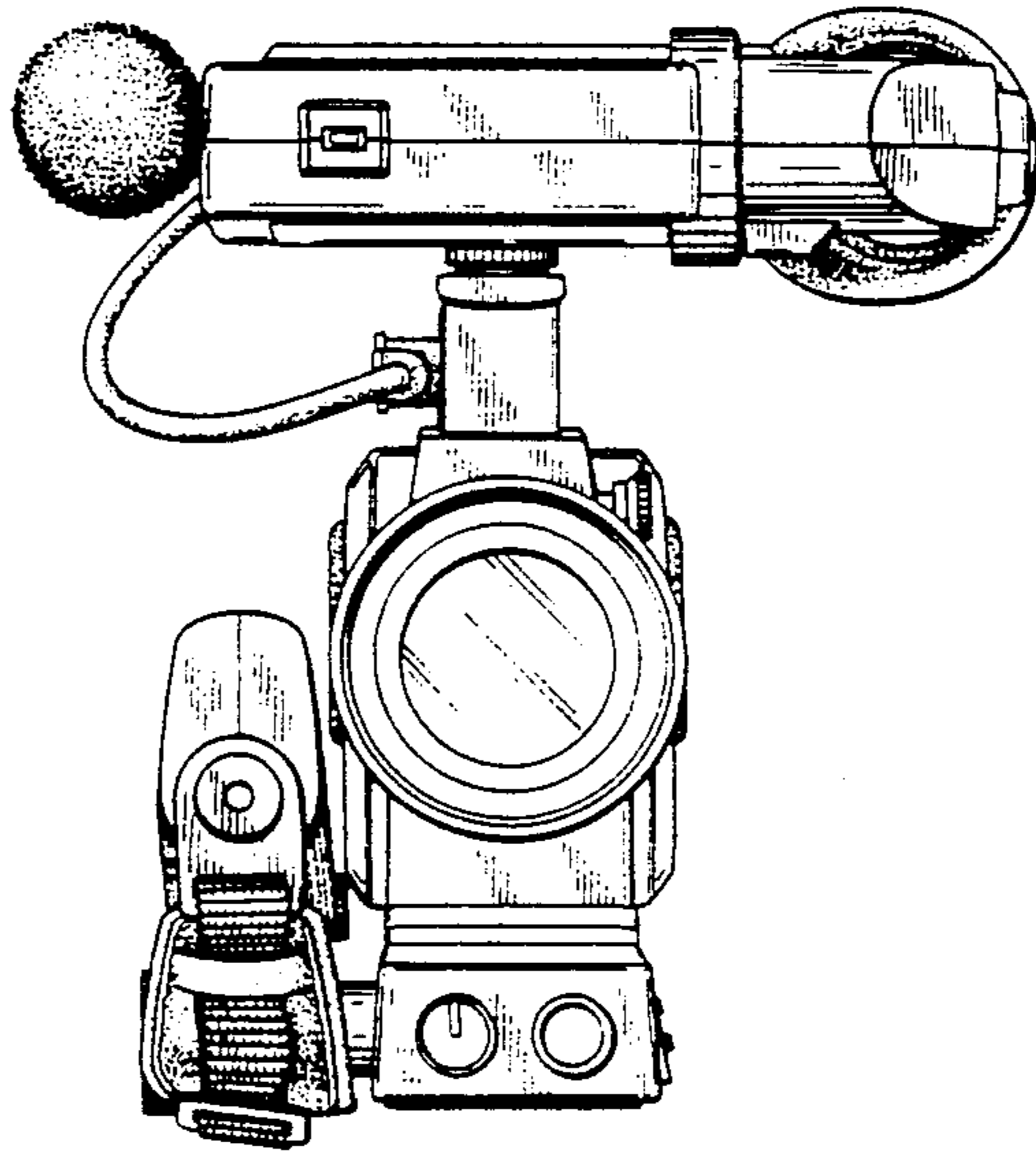


FIG. 4

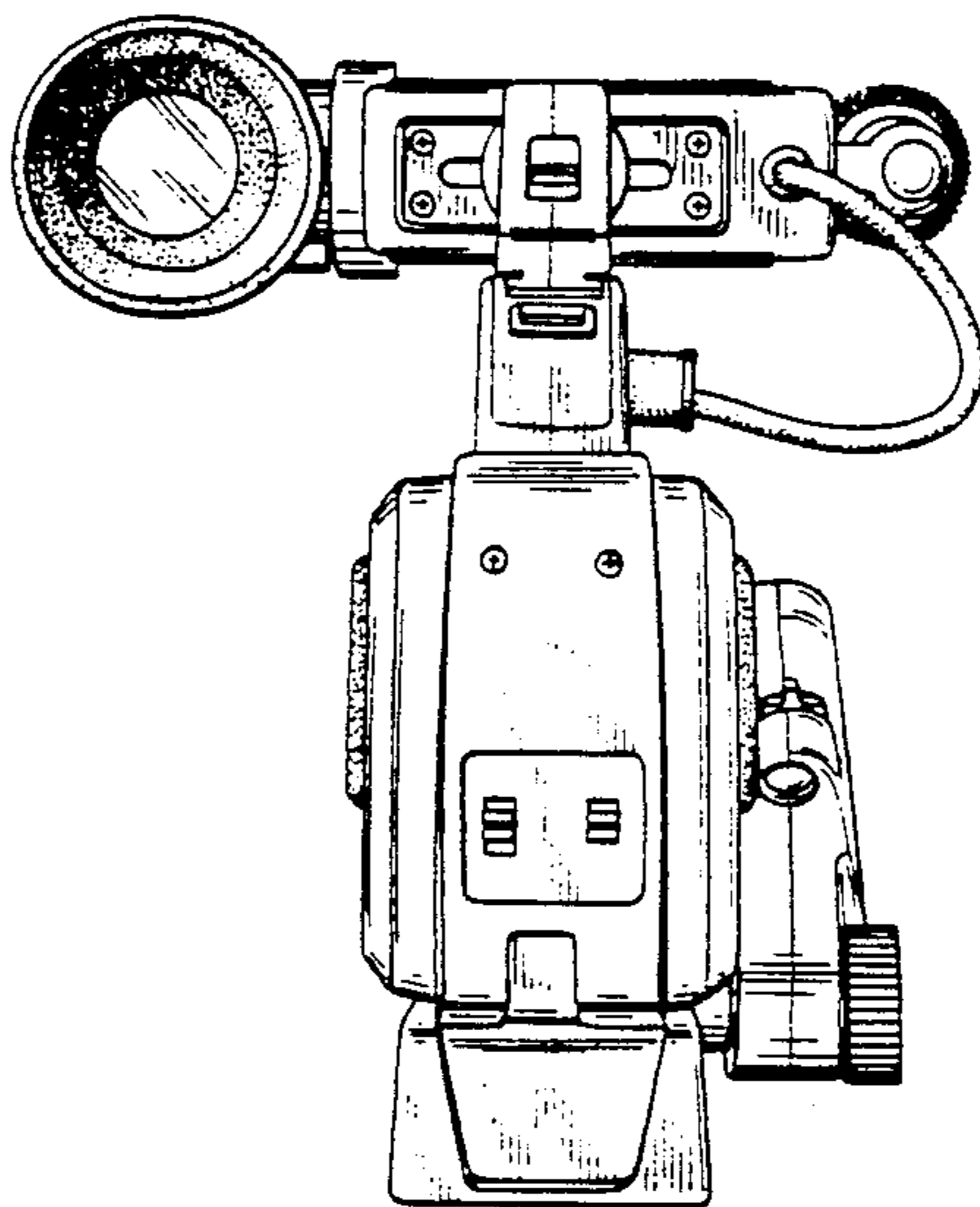


FIG. 5

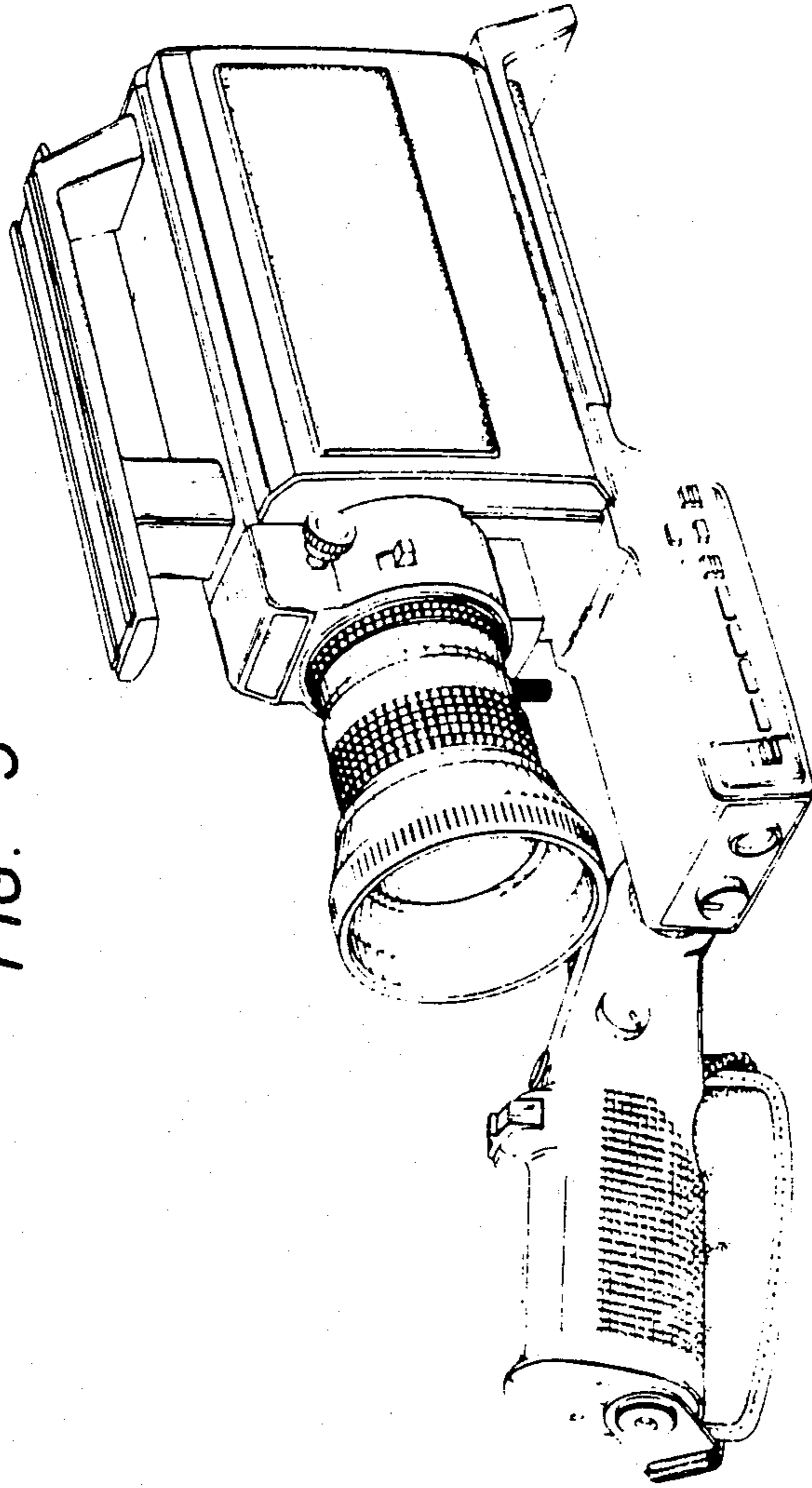


FIG. 6

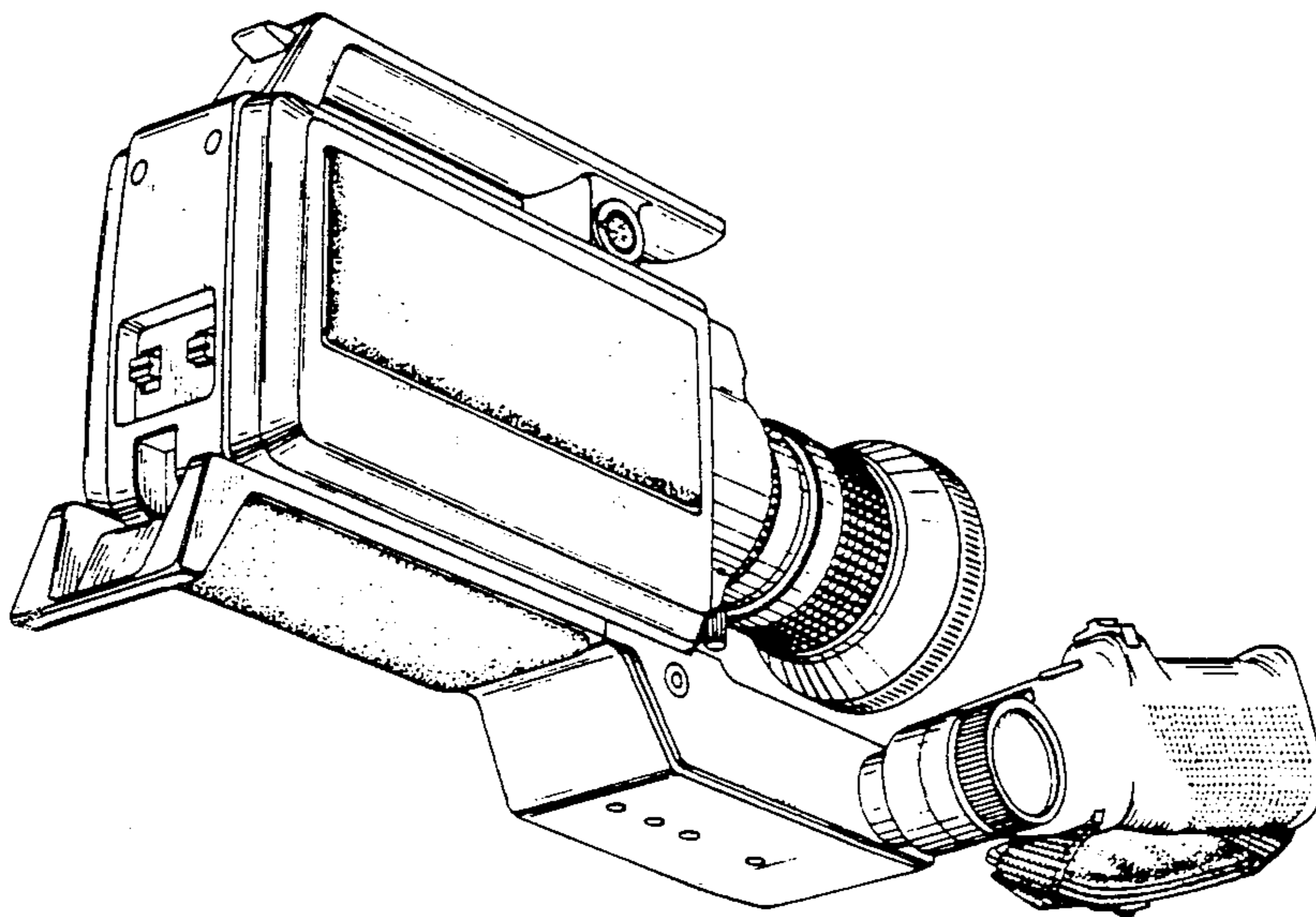


FIG. 7

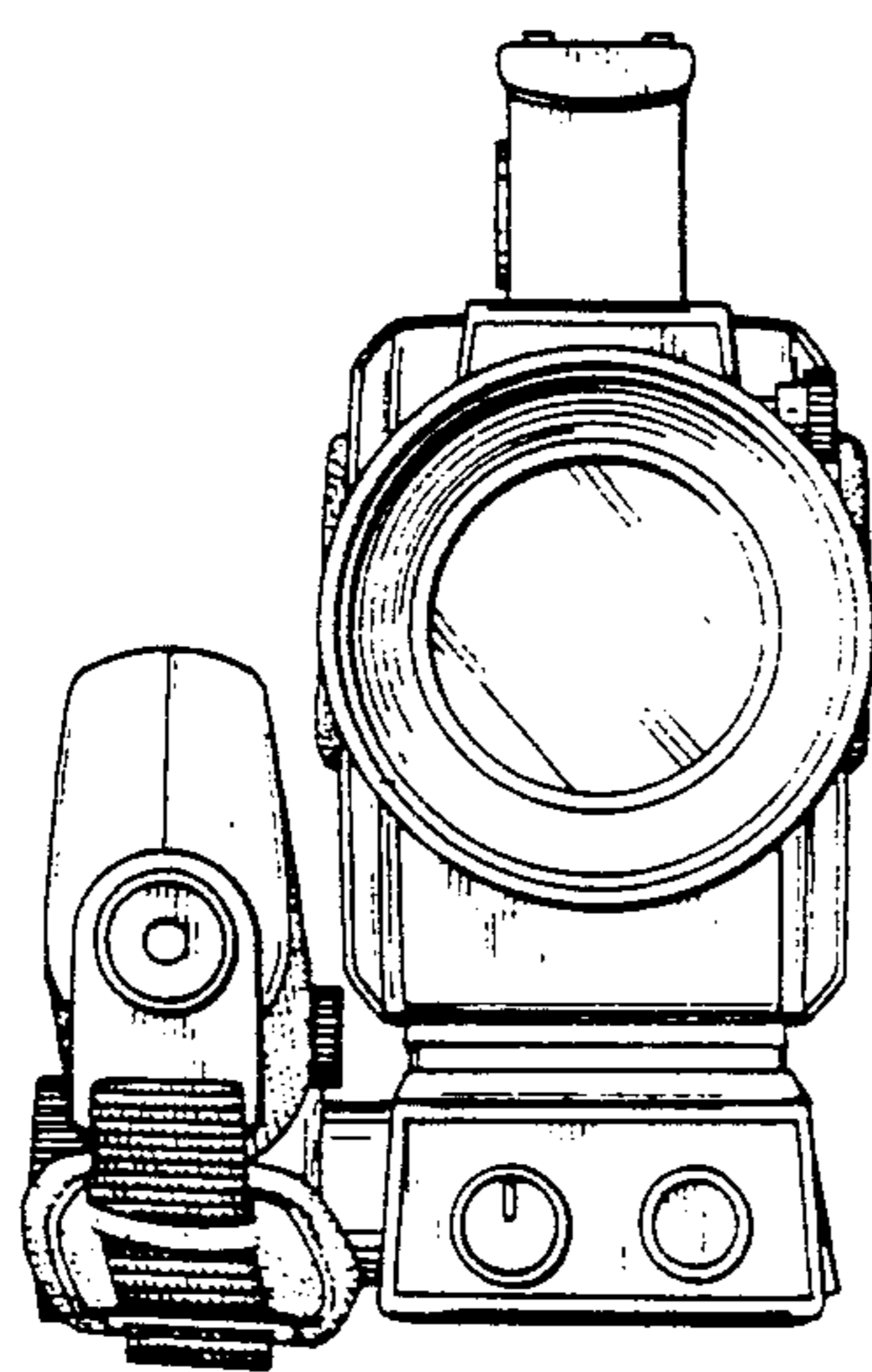


FIG. 8

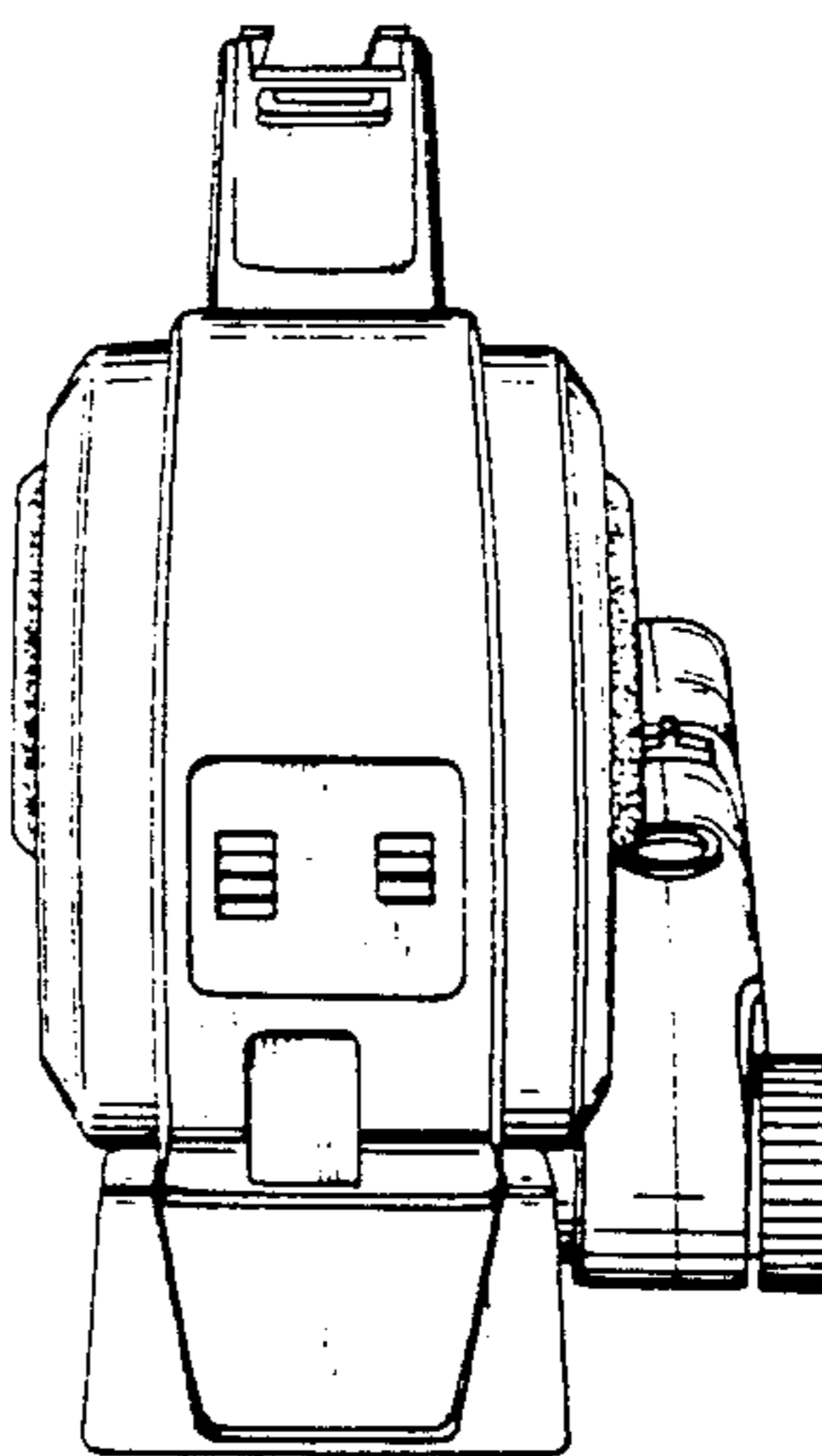


FIG. 9

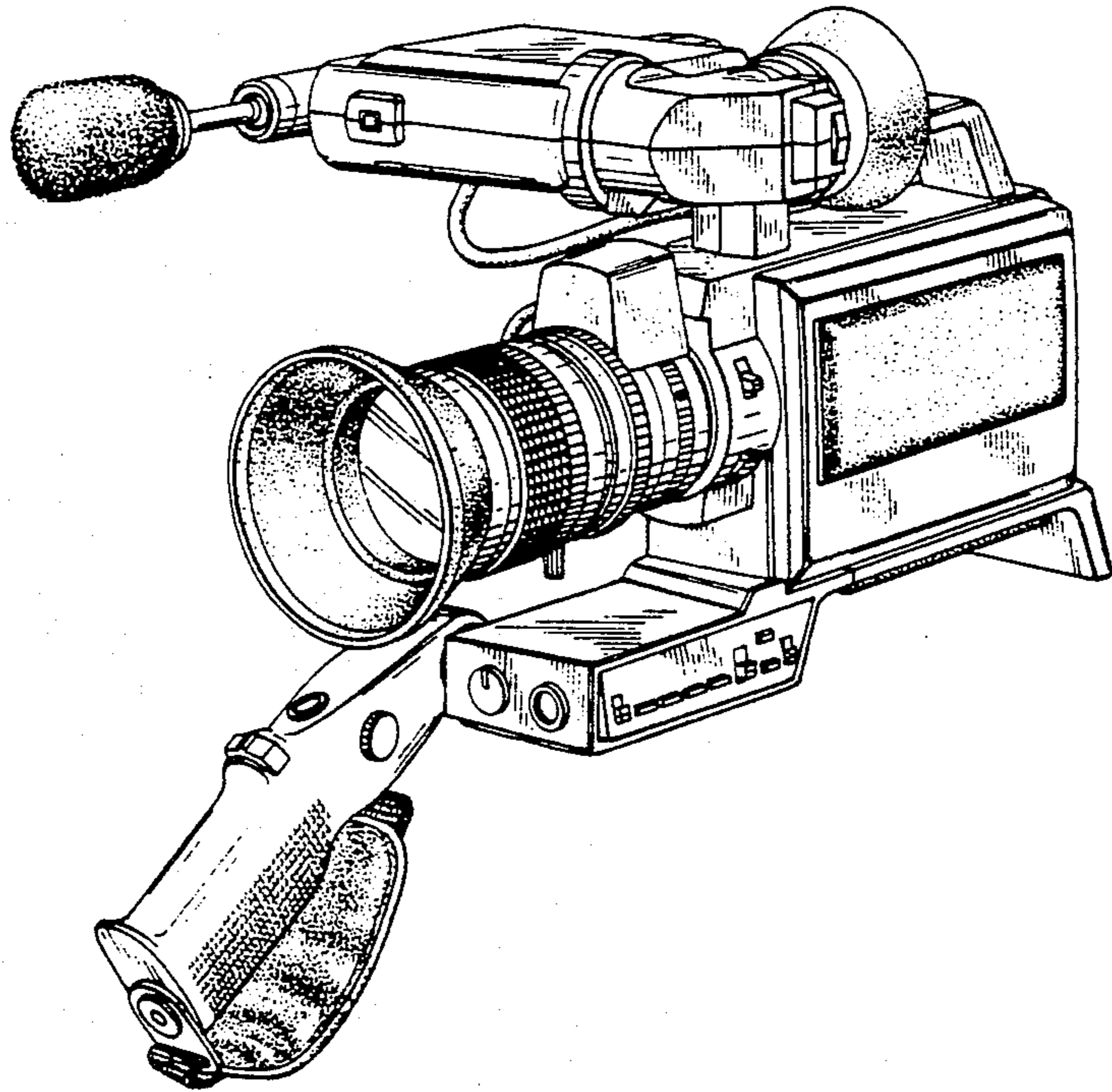


FIG. 10

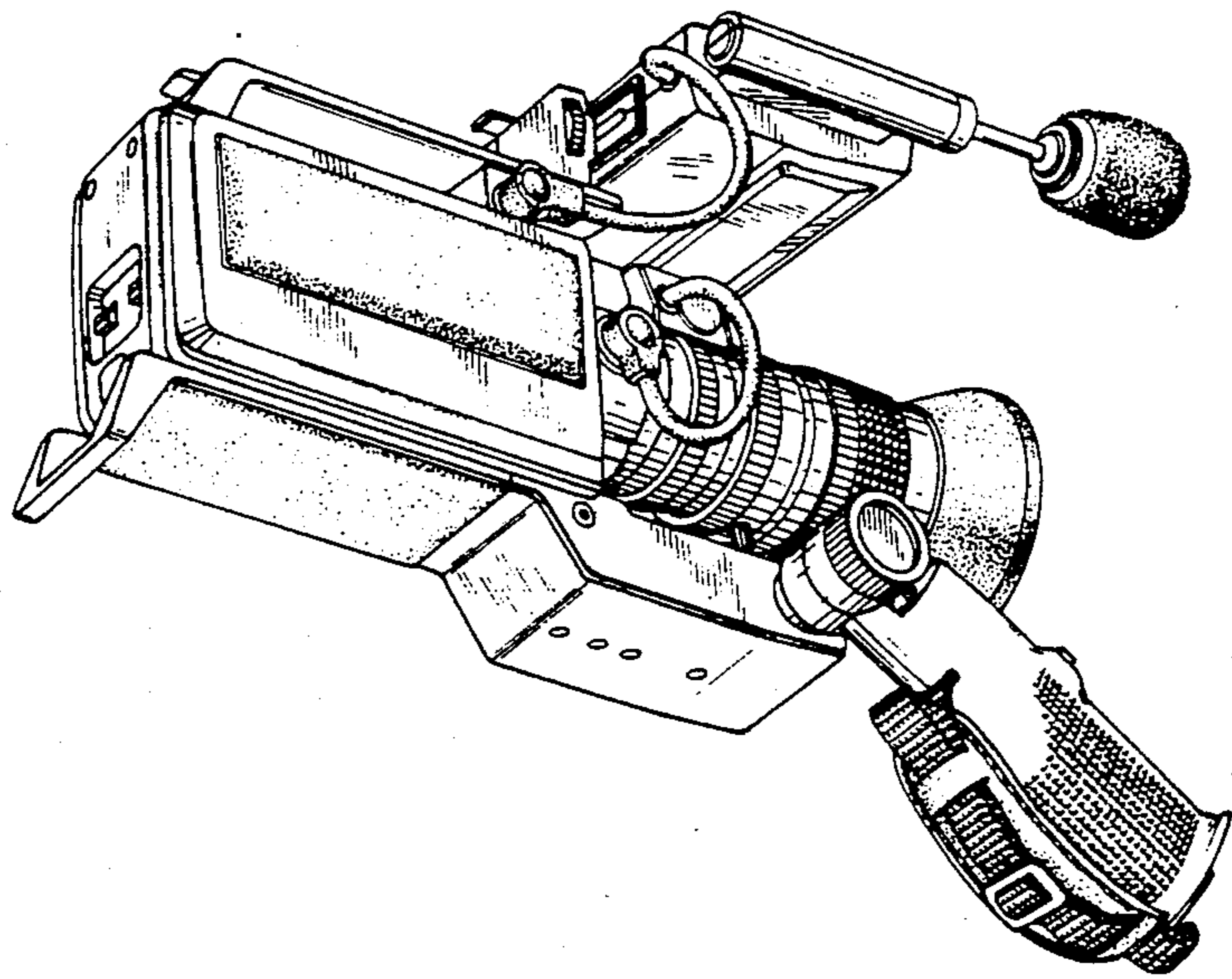


FIG. 11

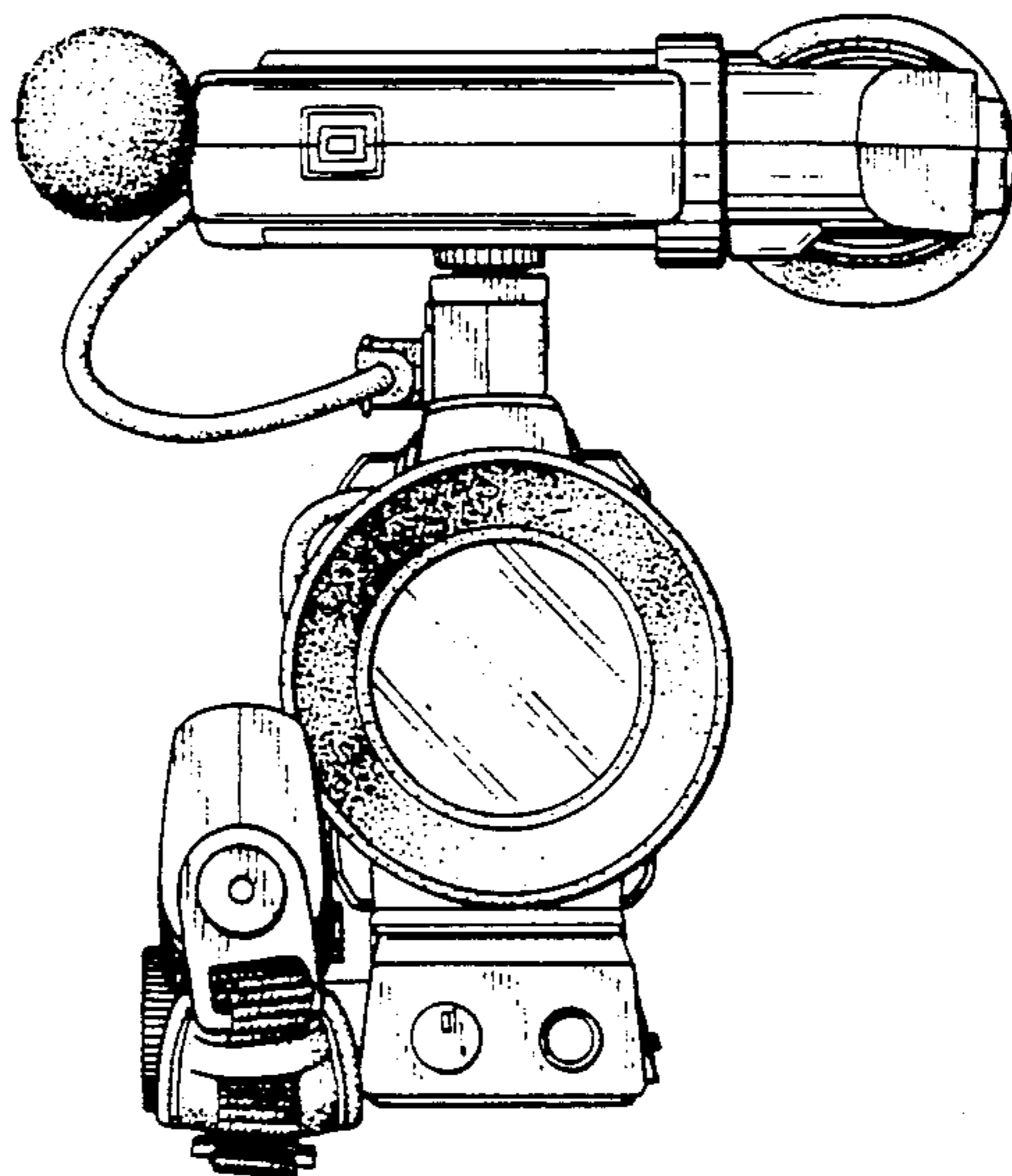


FIG. 12

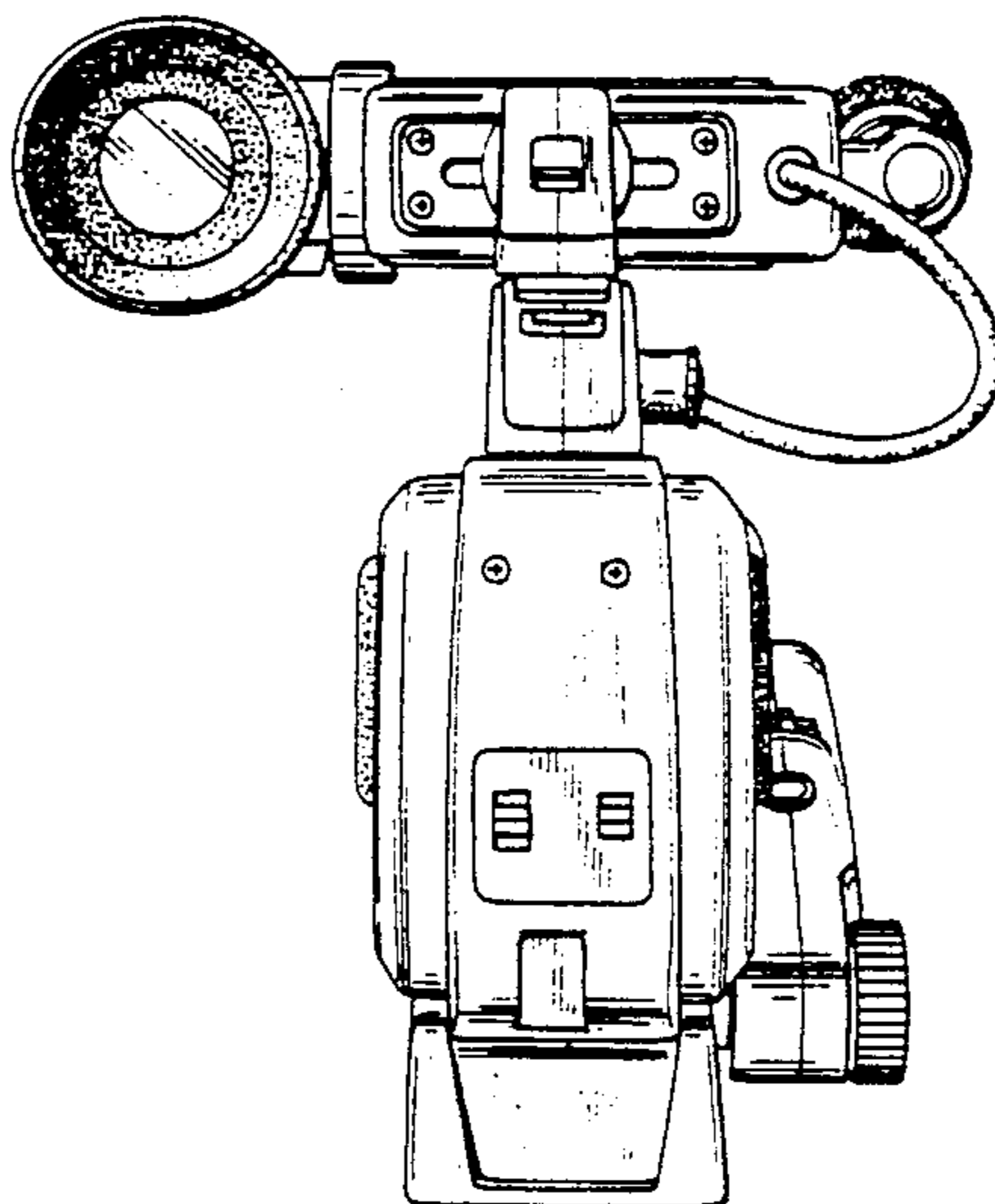


FIG. 13

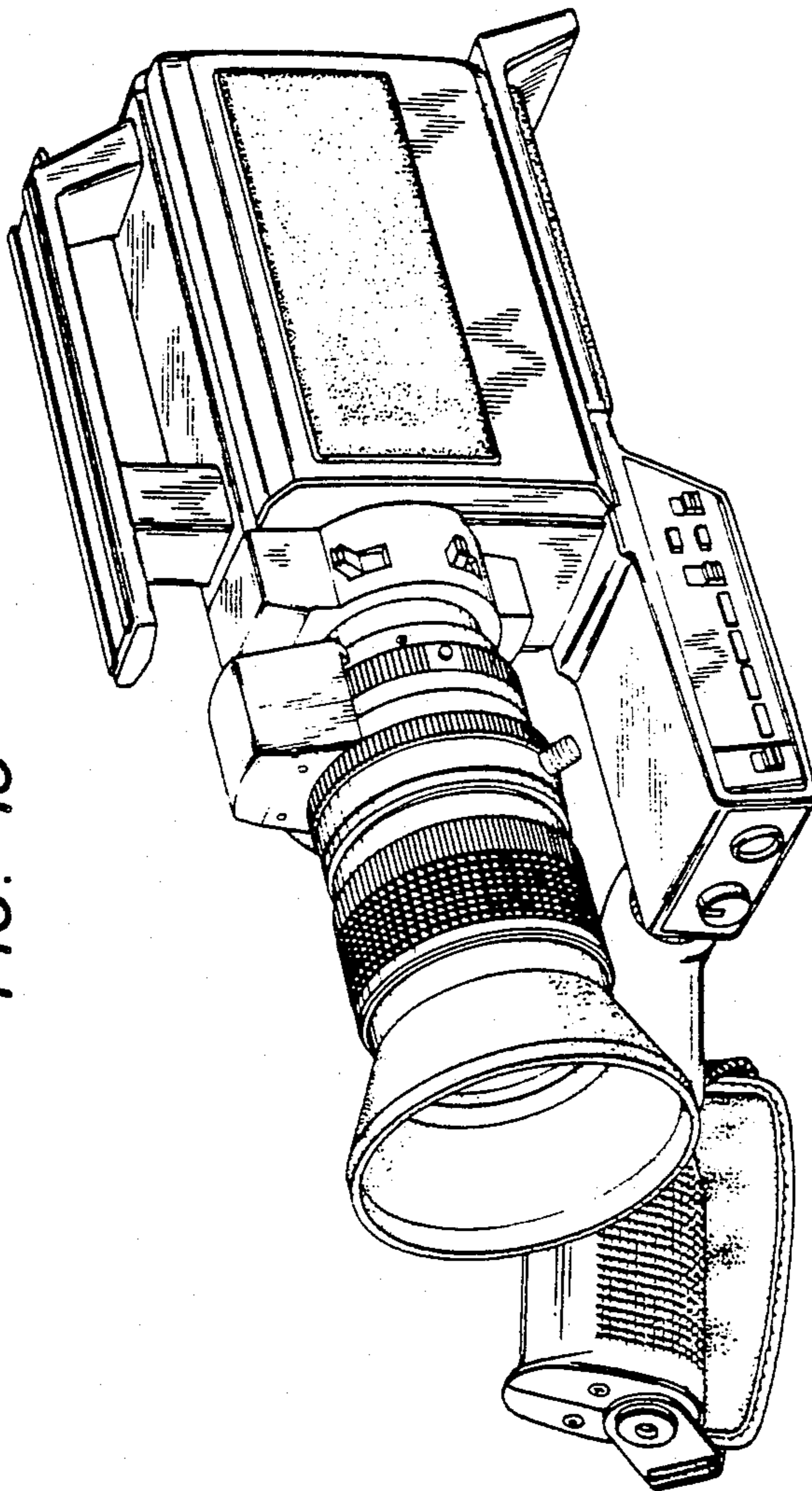


FIG. 14

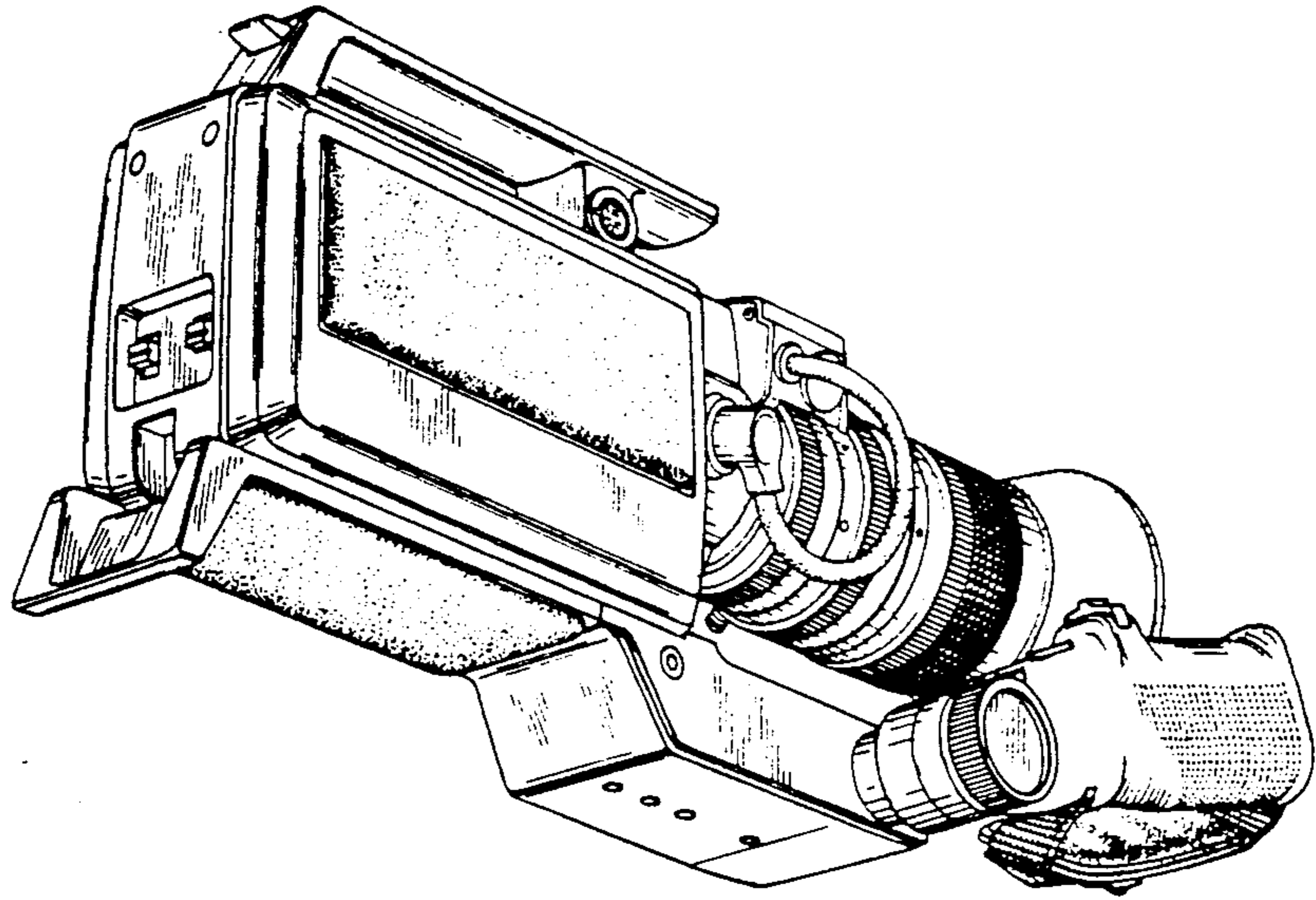


FIG. 15

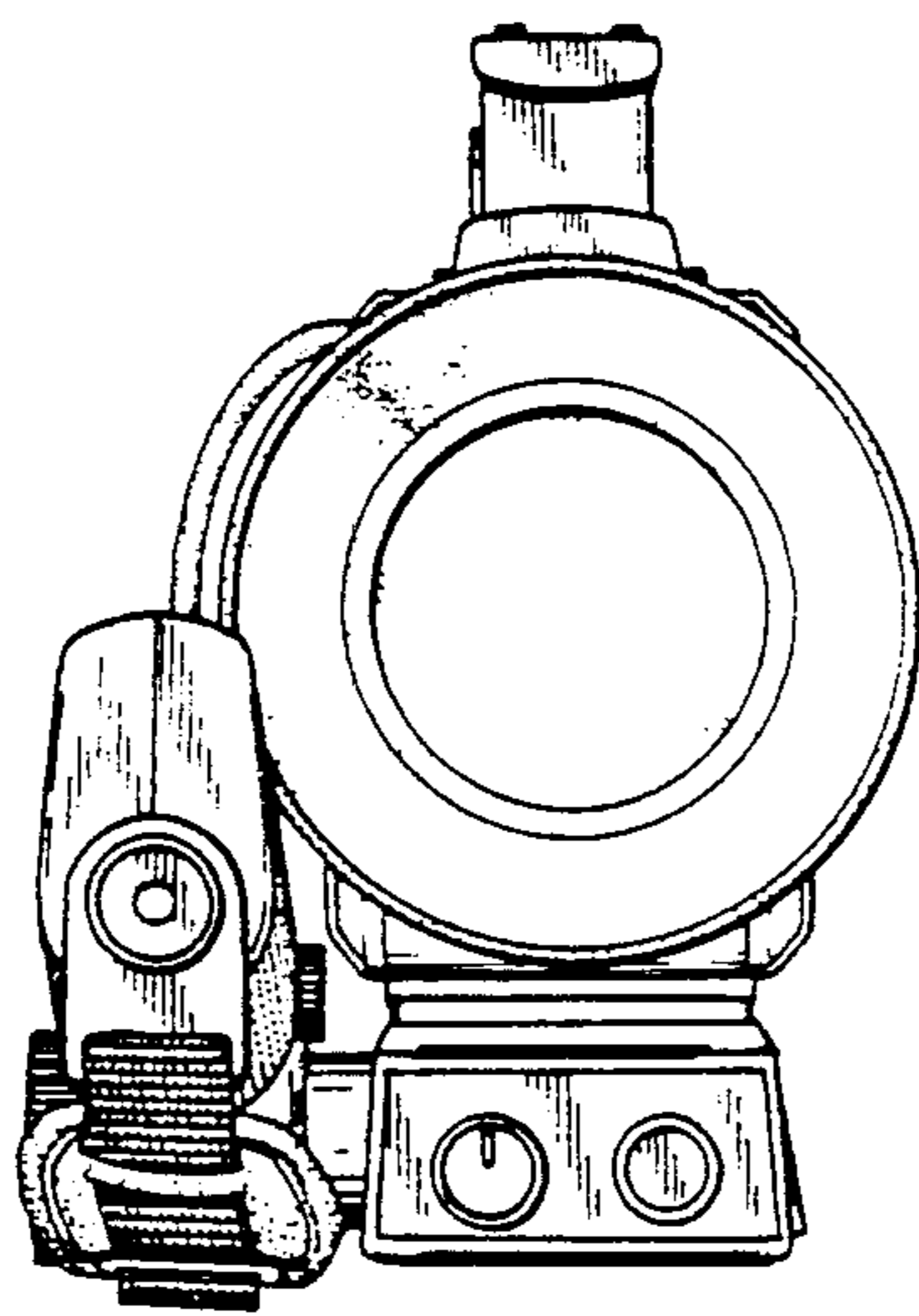


FIG. 16

