

[54] **BICYCLE FRAME**

[75] **Inventor: John D. Breen, Antioch, Tenn.**

[73] **Assignee: The Murray Ohio Manufacturing Co., Brentwood, Tenn.**

[**] **Term: 14 Years**

[21] **Appl. No.: 365,865**

[22] **Filed: Apr. 5, 1982**

[52] **U.S. Cl. D12/111**

[58] **Field of Search D12/111; 280/261, 270, 280/281 R, 281 LP, 281 W**

[56] **References Cited**

U.S. PATENT DOCUMENTS

2,482,472 9/1949 Fried .

4,333,664 6/1982 Turner et al. 280/261

FOREIGN PATENT DOCUMENTS

453687 9/1936 United Kingdom 280/281 LP

Primary Examiner—James M. Gandy

Attorney, Agent, or Firm—Cushman, Darby & Cushman

[57] **CLAIM**

The ornamental design for a bicycle frame, substantially as shown and described.

DESCRIPTION

FIG. 1 is a side elevational view of a bicycle frame showing my new design;

FIG. 2 is a top plan view thereof;

FIG. 3 is a rear elevational view thereof; and

FIG. 4 is a front elevational view thereof.

The broken lines in FIG. 1 are for illustrative purposes only.

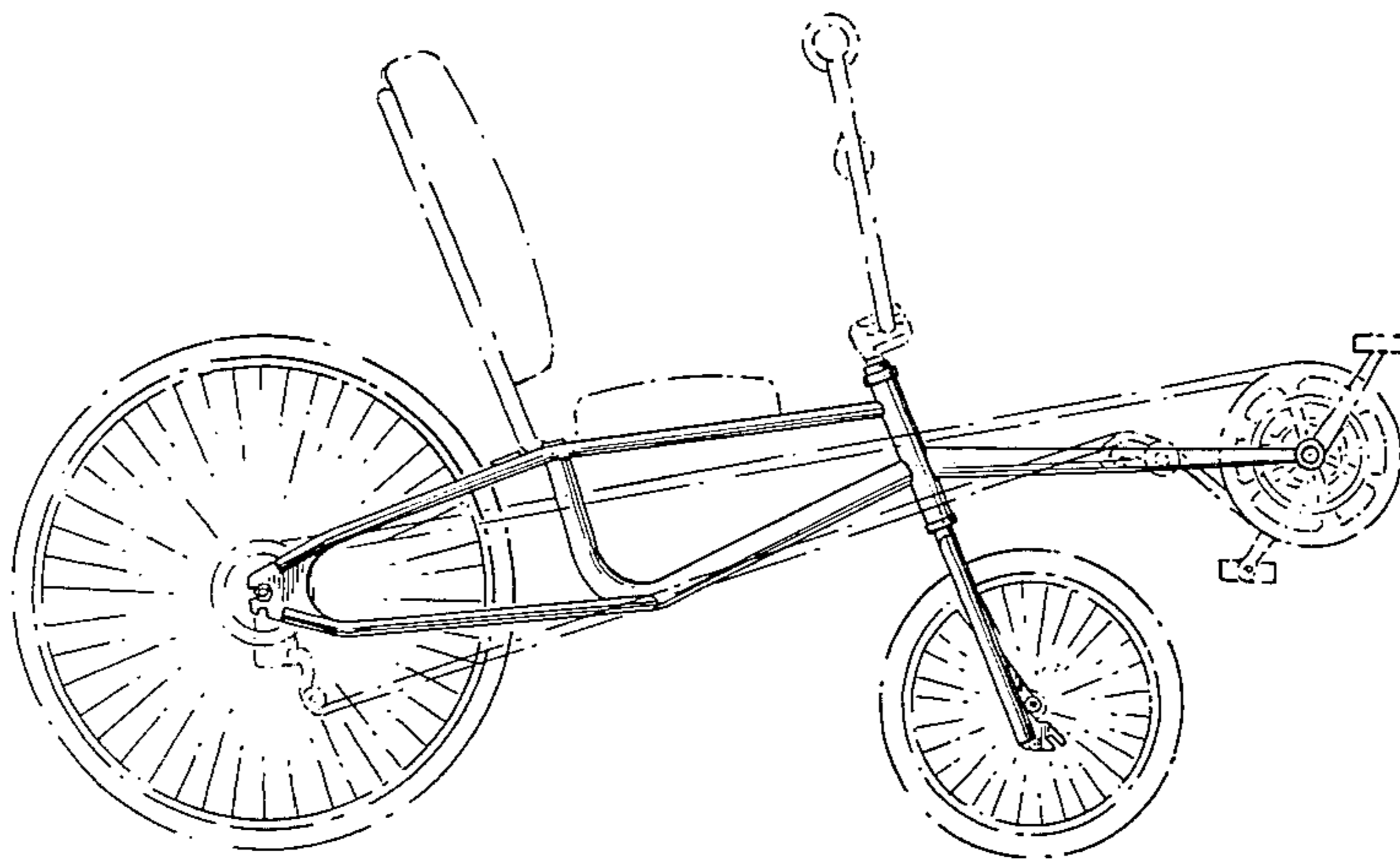
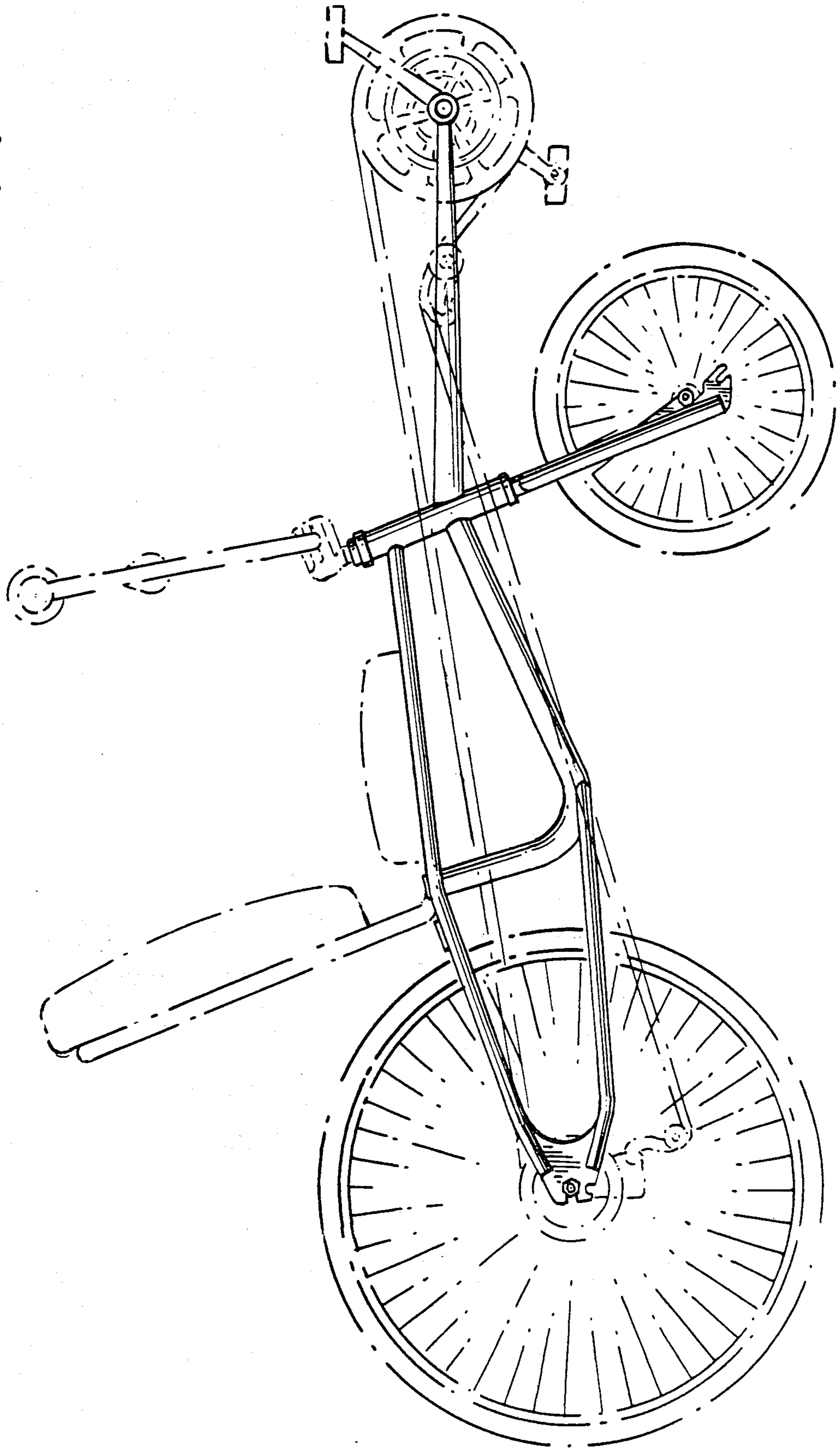


FIG. 1



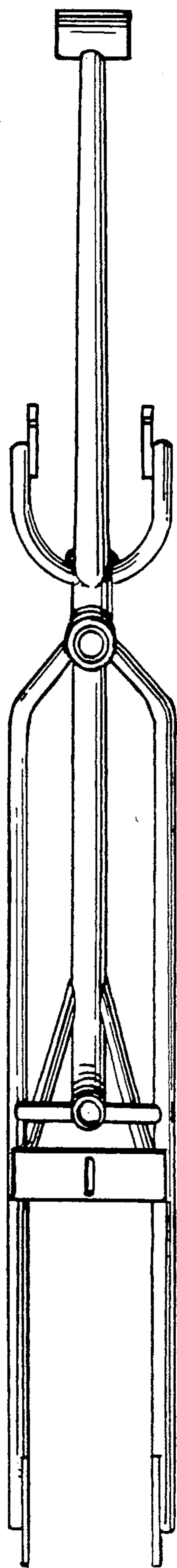


FIG. 2

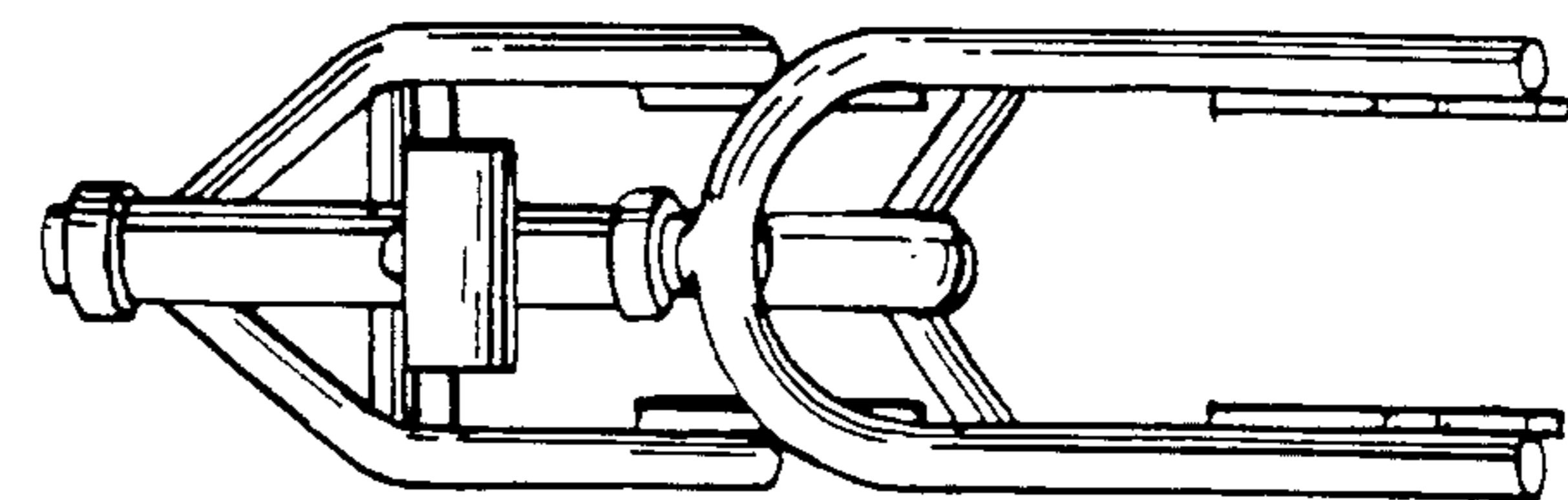


FIG. 4

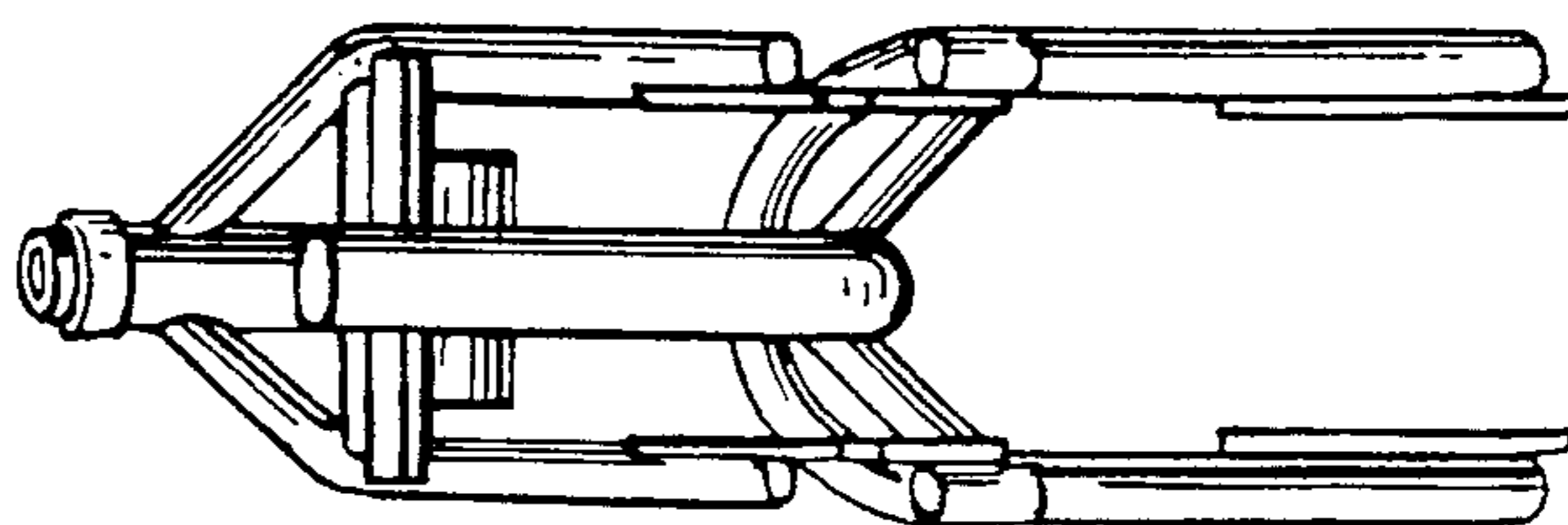


FIG. 3