

[54] **SEGMENTED PLANT CONTAINER**

[76] **Inventor: Fred N. Blackmore, Jr., 4300 Braun, Saline, Mich. 48176**

[\*\*] **Term: 14 Years**

[21] **Appl. No.: 473,901**

[22] **Filed: Mar. 10, 1983**

[52] **U.S. Cl. .... D11/155; D11/143**

[58] **Field of Search .... D11/143-156; 87/37, 38; 47/66, 85-87; 206/562, 563, 564; D34/40, 42, 44-46**

[56] **References Cited**

**U.S. PATENT DOCUMENTS**

D. 248,022	5/1978	Makilaakso .....	D11/143
D. 272,726	2/1984	Kaneko .....	D11/155
3,035,369	5/1962	Helfert .....	47/87
3,386,608	6/1968	Diller .....	47/86
3,949,523	4/1976	Lehtipuu .....	47/87

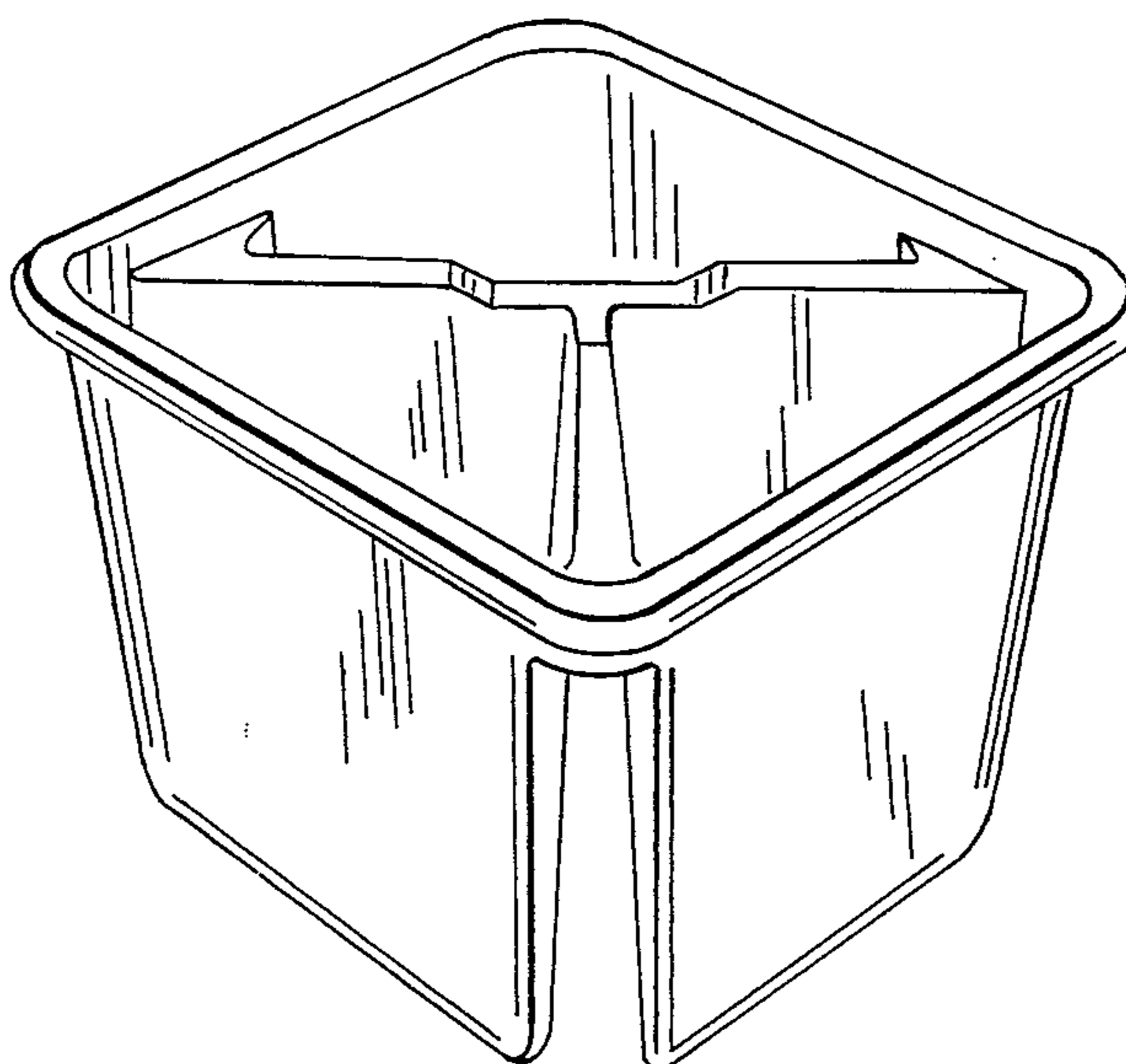
*Primary Examiner*—B. J. Bullock  
*Attorney, Agent, or Firm*—Stephenson and Boller

[57] **CLAIM**

The ornamental design for a segmented plant container, as shown and described.

**DESCRIPTION**

FIG. 1 is a top plan view of a segmented plant container showing my new design;  
FIG. 2 is a side elevational view taken from the right of FIG. 1;  
FIG. 3 is a side elevational view taken from the bottom of FIG. 1;  
FIG. 4 is a reduced top perspective view thereof;  
FIG. 5 is a side elevational view taken from the left of FIG. 1;  
FIG. 6 is a bottom plan view thereof;  
FIG. 7 is a side elevational view taken from the top of FIG. 1.



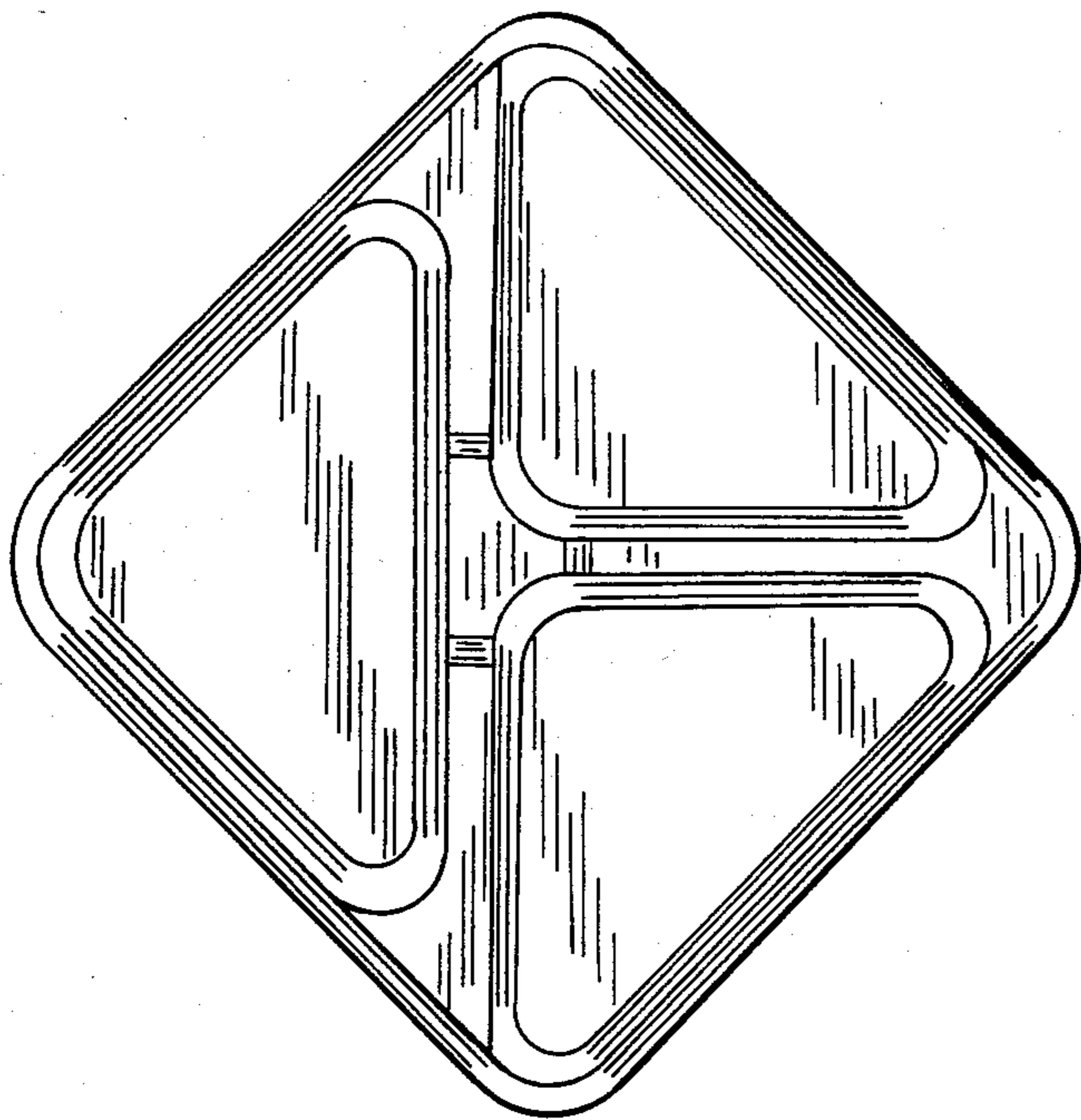


fig. 1

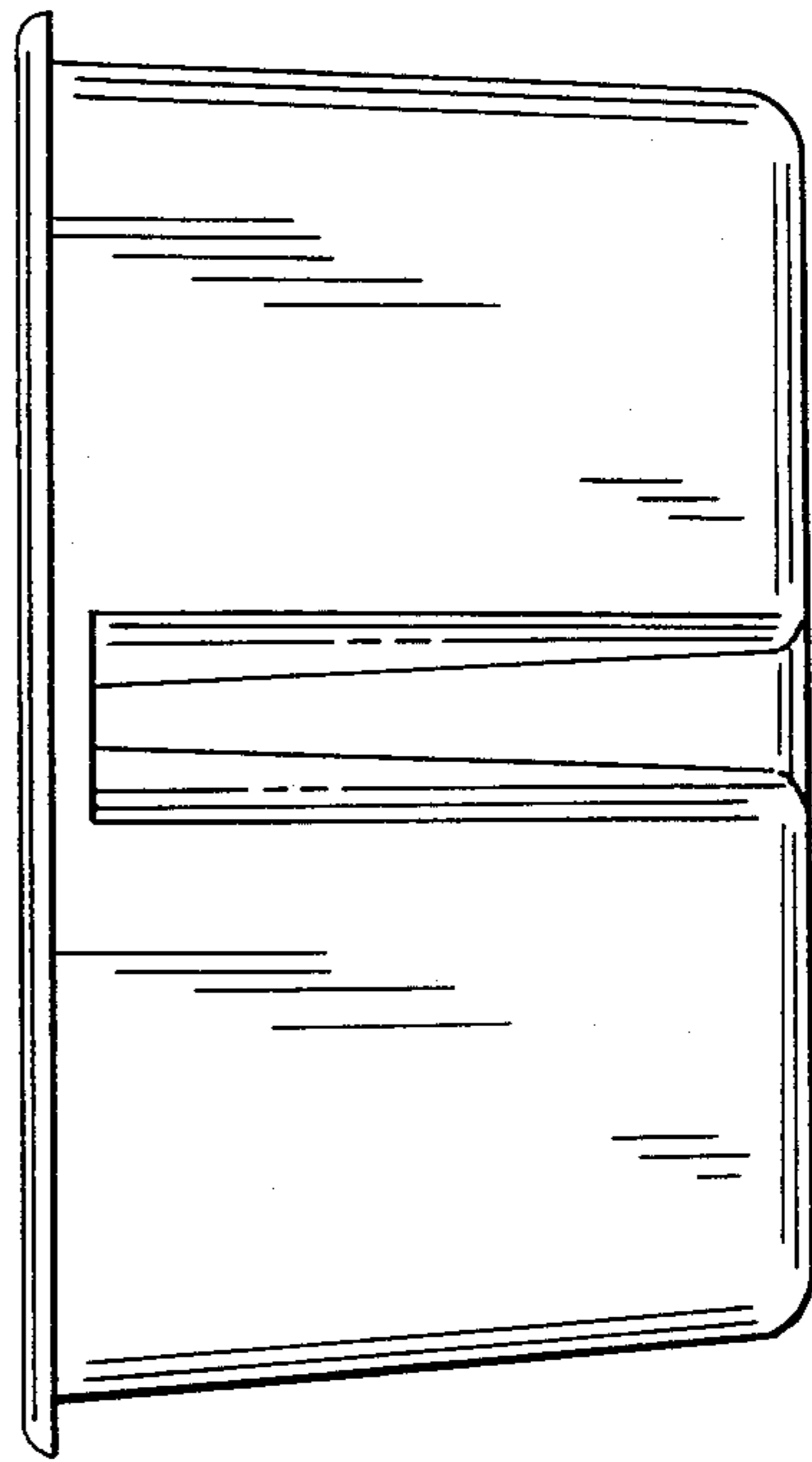


fig. 2

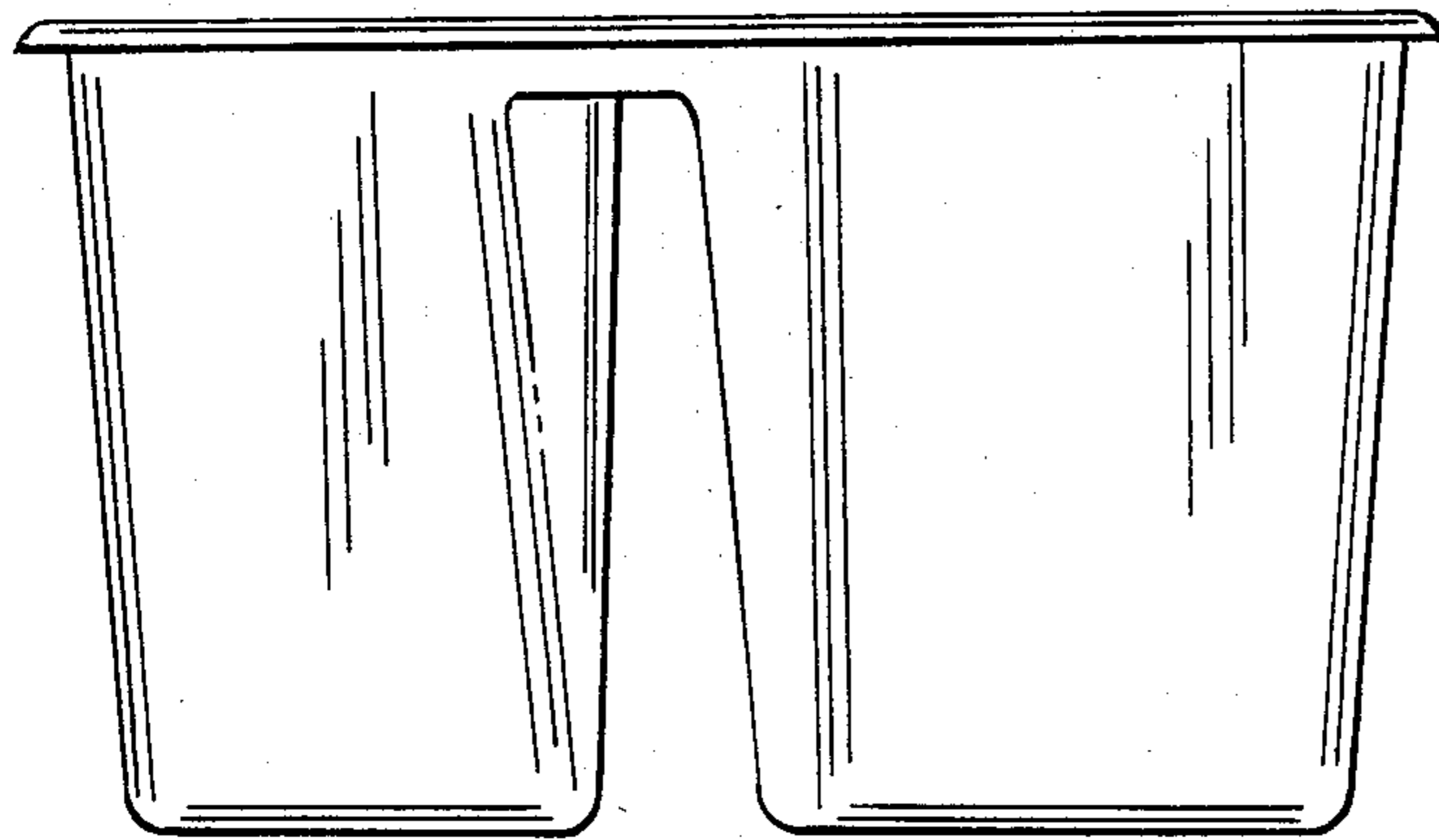


fig. 3

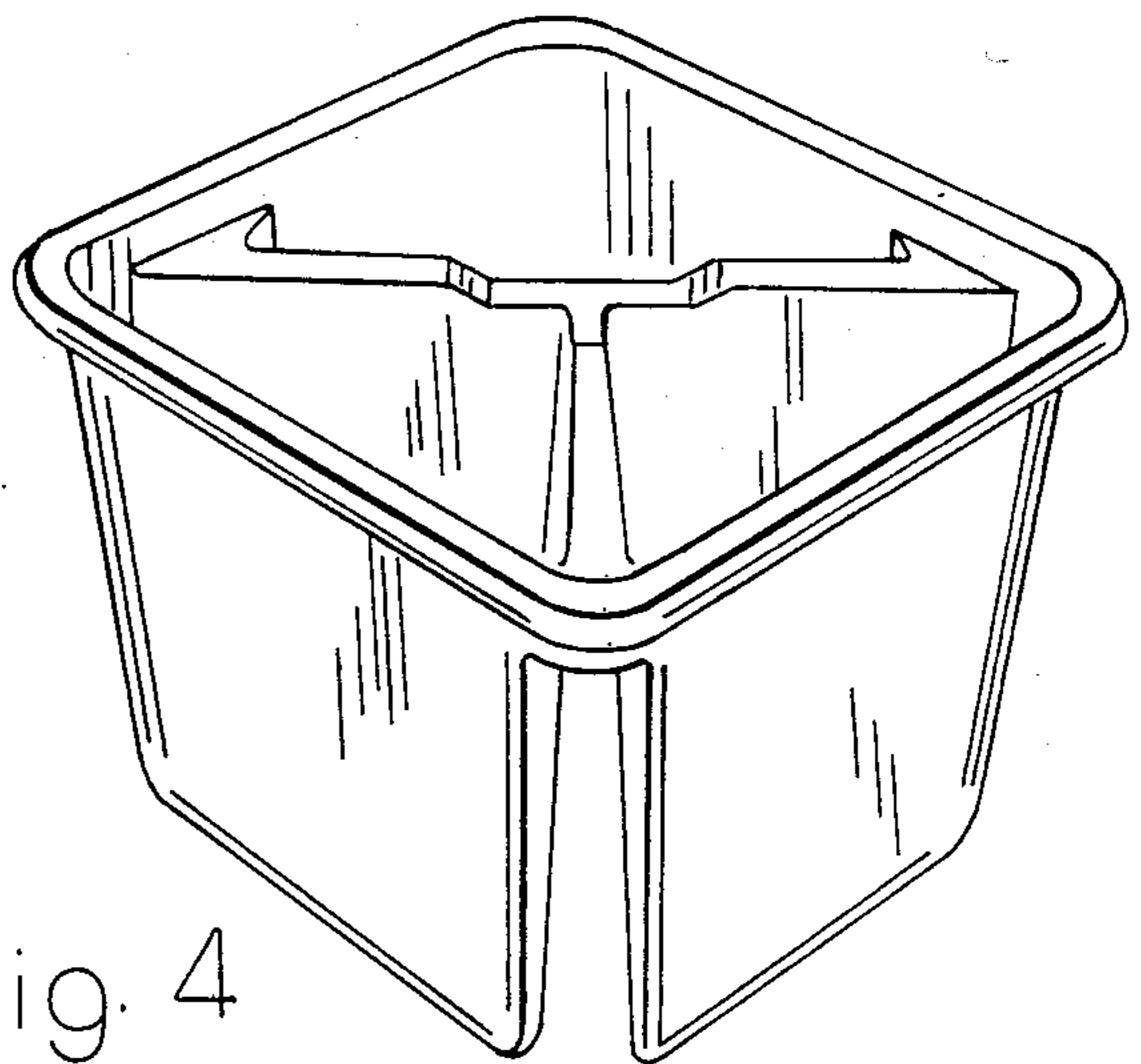


fig. 4

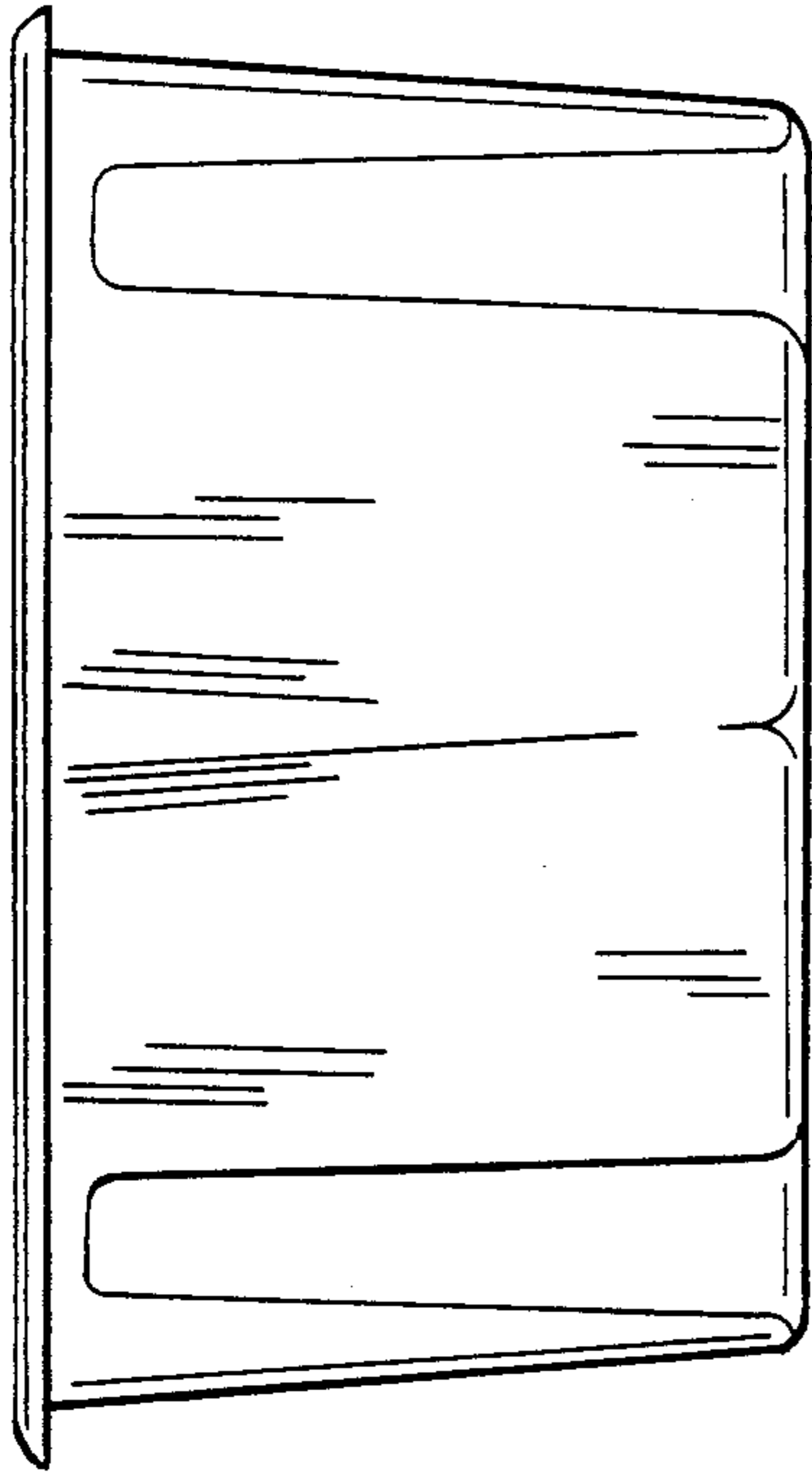


fig. 5

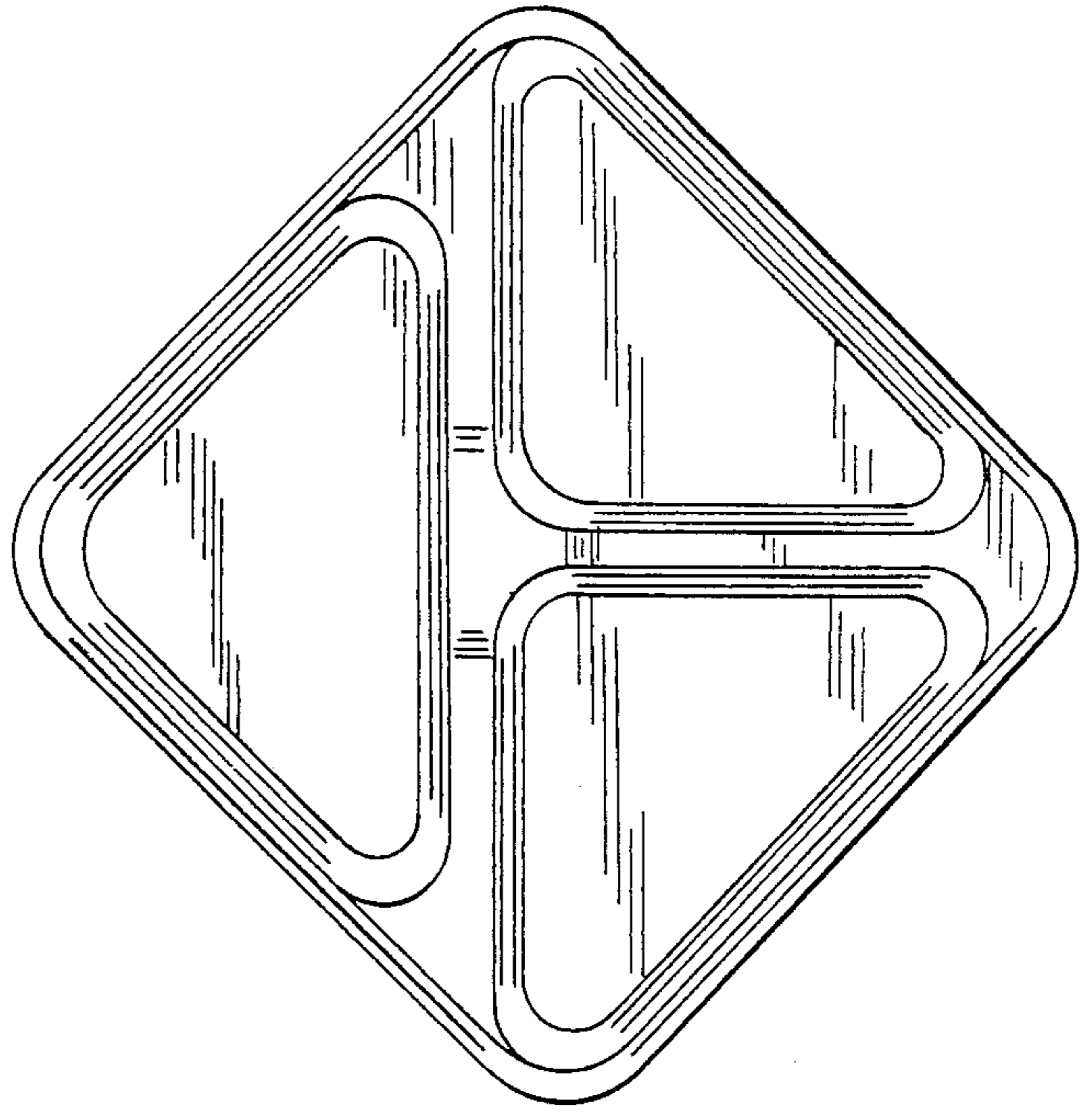


fig. 6

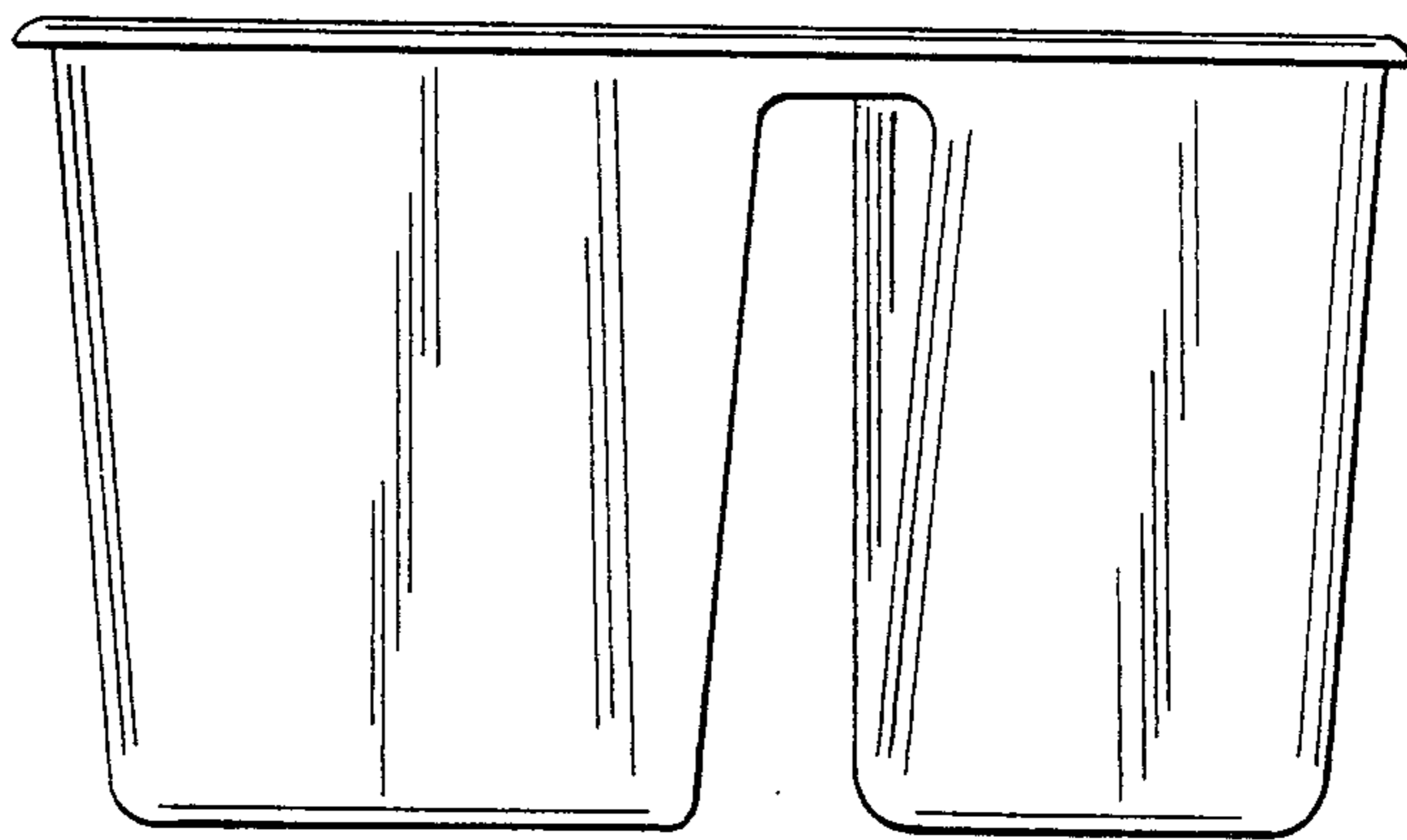


fig. 7