

United States Patent [19]

Crane et al.

[11] Patent Number: **Des. 278,319**

[45] Date of Patent: **** Apr. 9, 1985**

[54] REFLECTOR FOR DASH MOUNTED VEHICLE EMERGENCY FLASHING LIGHT OR THE LIKE

3,884,560 5/1975 Neylan et al. 362/341 X
4,104,614 8/1978 Litman 350/288 X

[75] Inventors: Stephen Crane, Penfield; Douglas A. Crane, Fairport, both of N.Y.

[73] Assignee: Crane Manufacturing and Plastics Corp., Fairport, N.Y.

[**] Term: 14 Years

[21] Appl. No.: 434,706

[22] Filed: Oct. 15, 1982

[52] U.S. Cl. D10/114; D26/118; D26/139

[58] Field of Search 340/81, 84, 87; 362/341, 346, 349, 297, 301, 247; D10/114, 111; 350/288, 291, 299; D26/28, 118, 139

[56] References Cited

U.S. PATENT DOCUMENTS

3,404,371 10/1968 Gosswiller 340/87

OTHER PUBLICATIONS

Public Safety Equipment Code 3 TM Brochure ©1976, p. 1 Emergency Vehicle light model 1100 Beacon.

Primary Examiner—Susan J. Lucas
Attorney, Agent, or Firm—Shlesinger, Fitzsimmons & Shlesinger

[57] CLAIM

The ornamental design for a reflector for dash mounted vehicle emergency flashing light or the like, substantially as shown.

DESCRIPTION

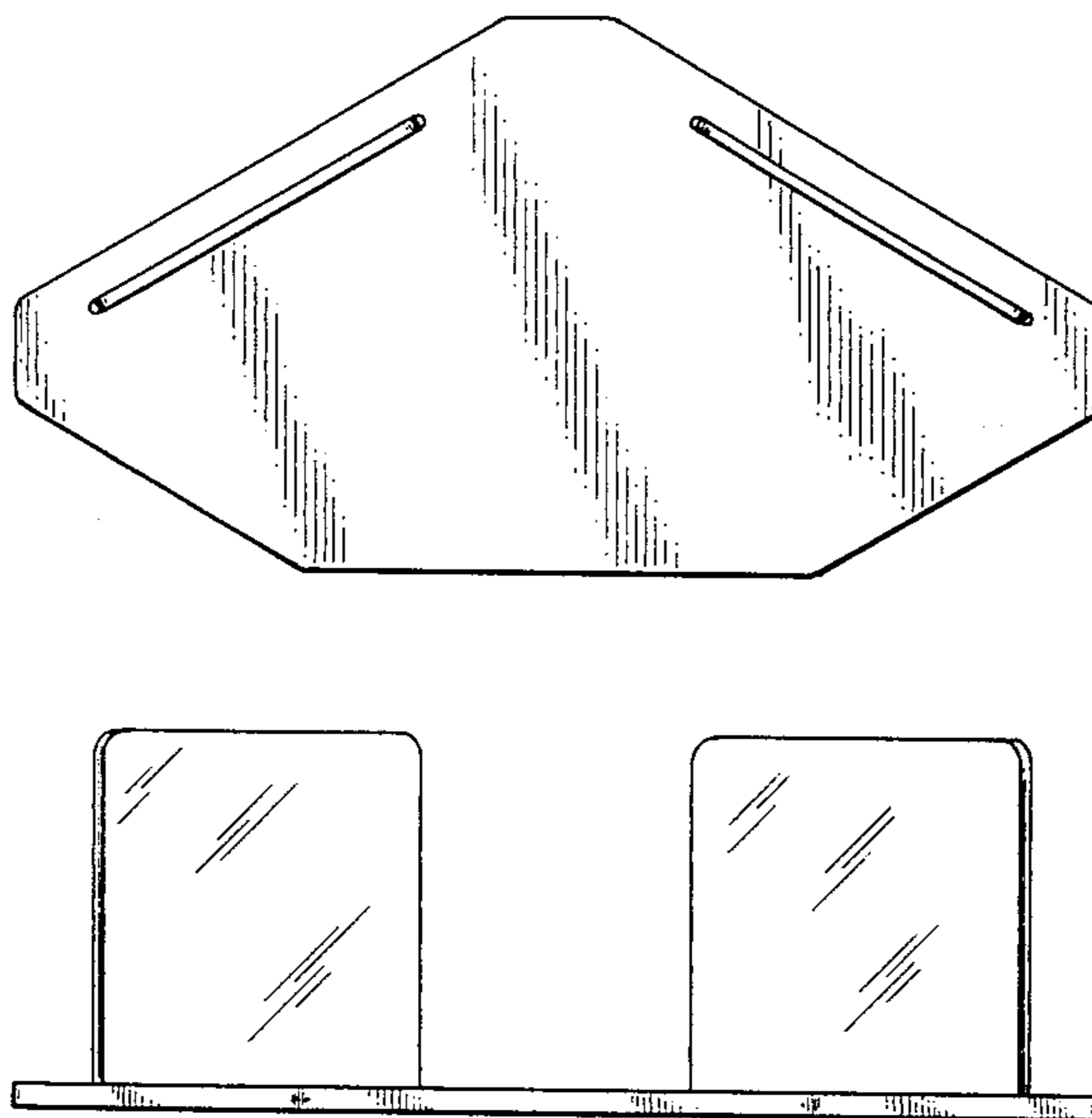
FIG. 1 is a top plan, view of a reflector for dash mounted vehicle emergency flashing light or the like showing my new design;

FIG. 2 is a front elevational view thereof;

FIG. 3 is a rear elevational view thereof;

FIG. 4 is a left side elevational view thereof; and

FIG. 5 is a right side elevational view thereof.



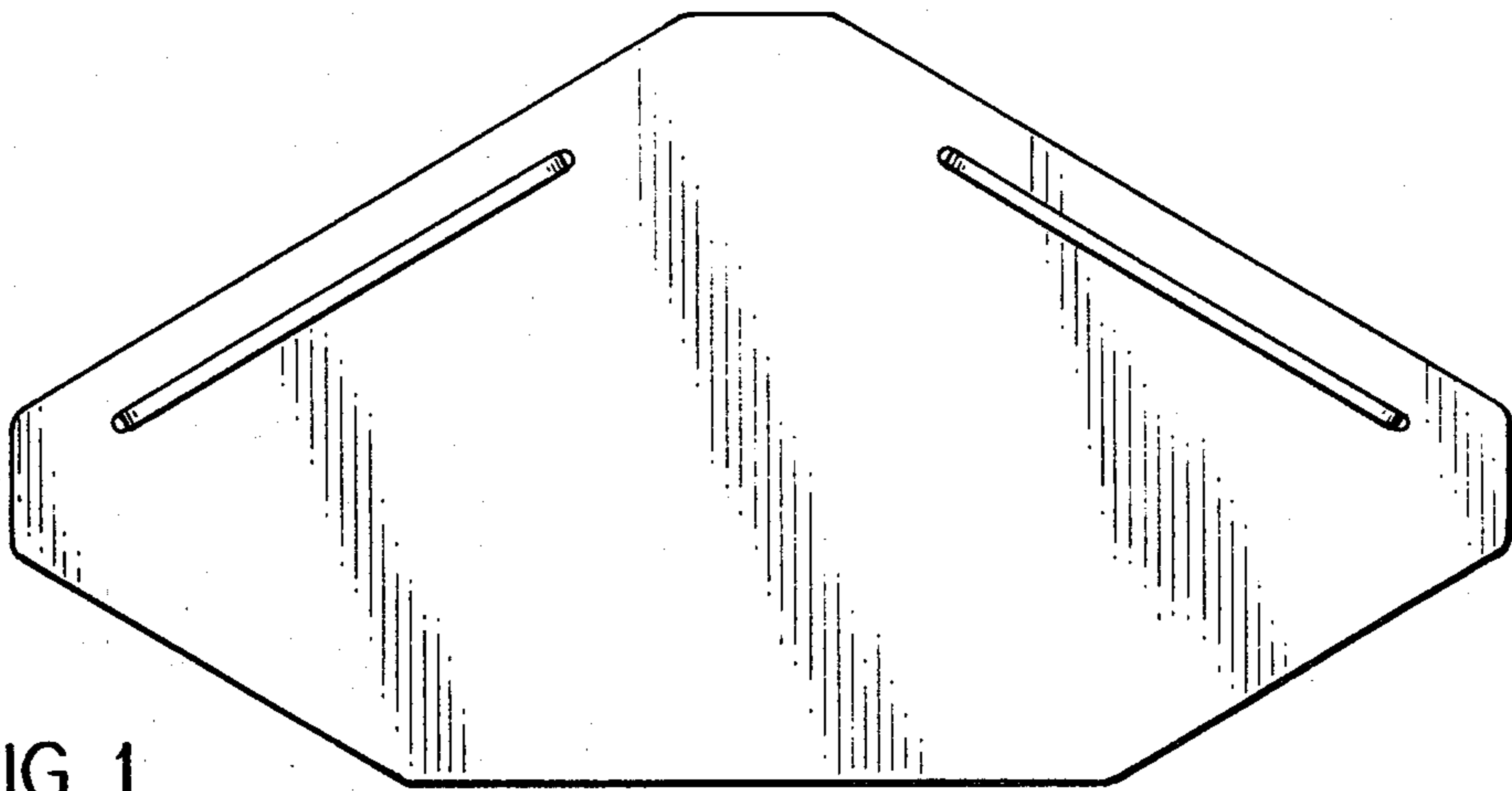


FIG. 1

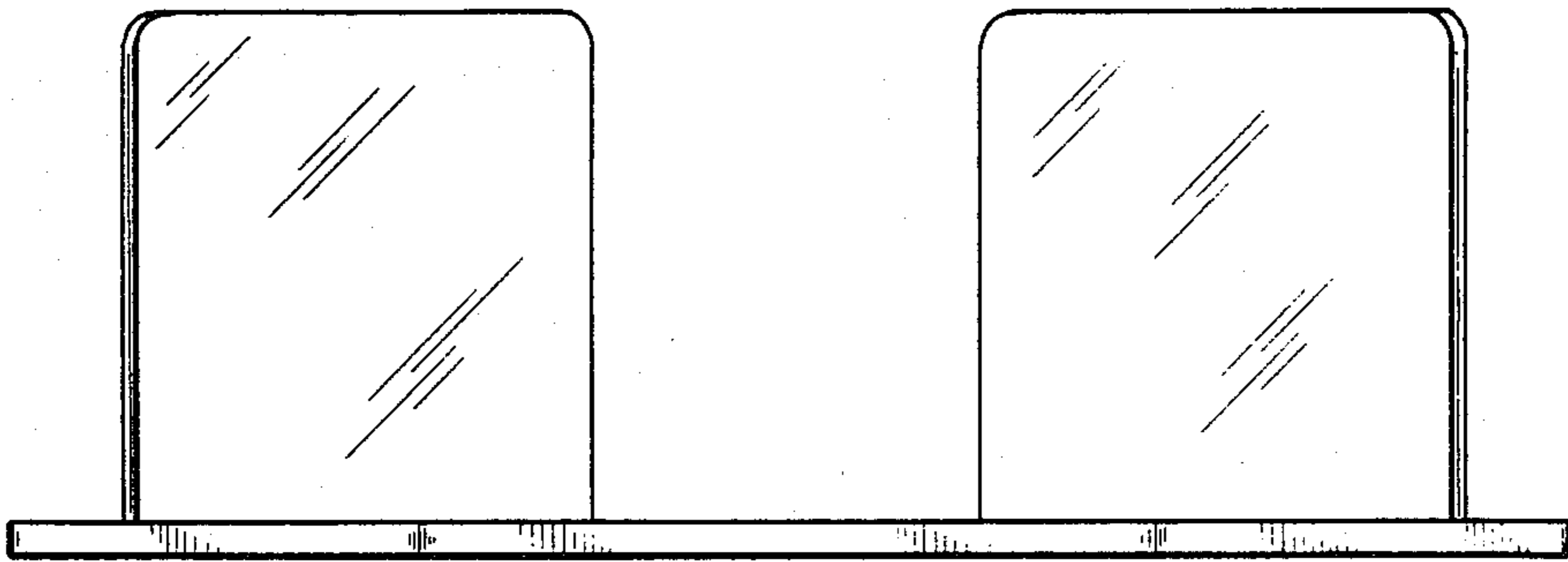


FIG. 2

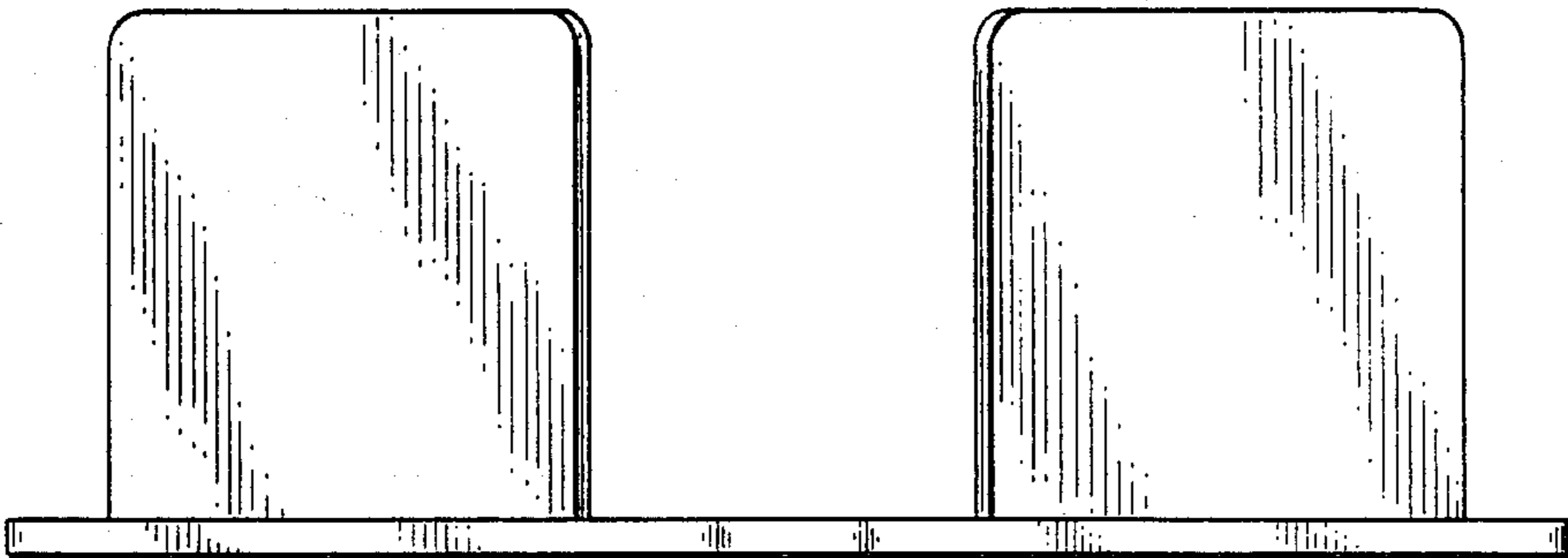


FIG. 3

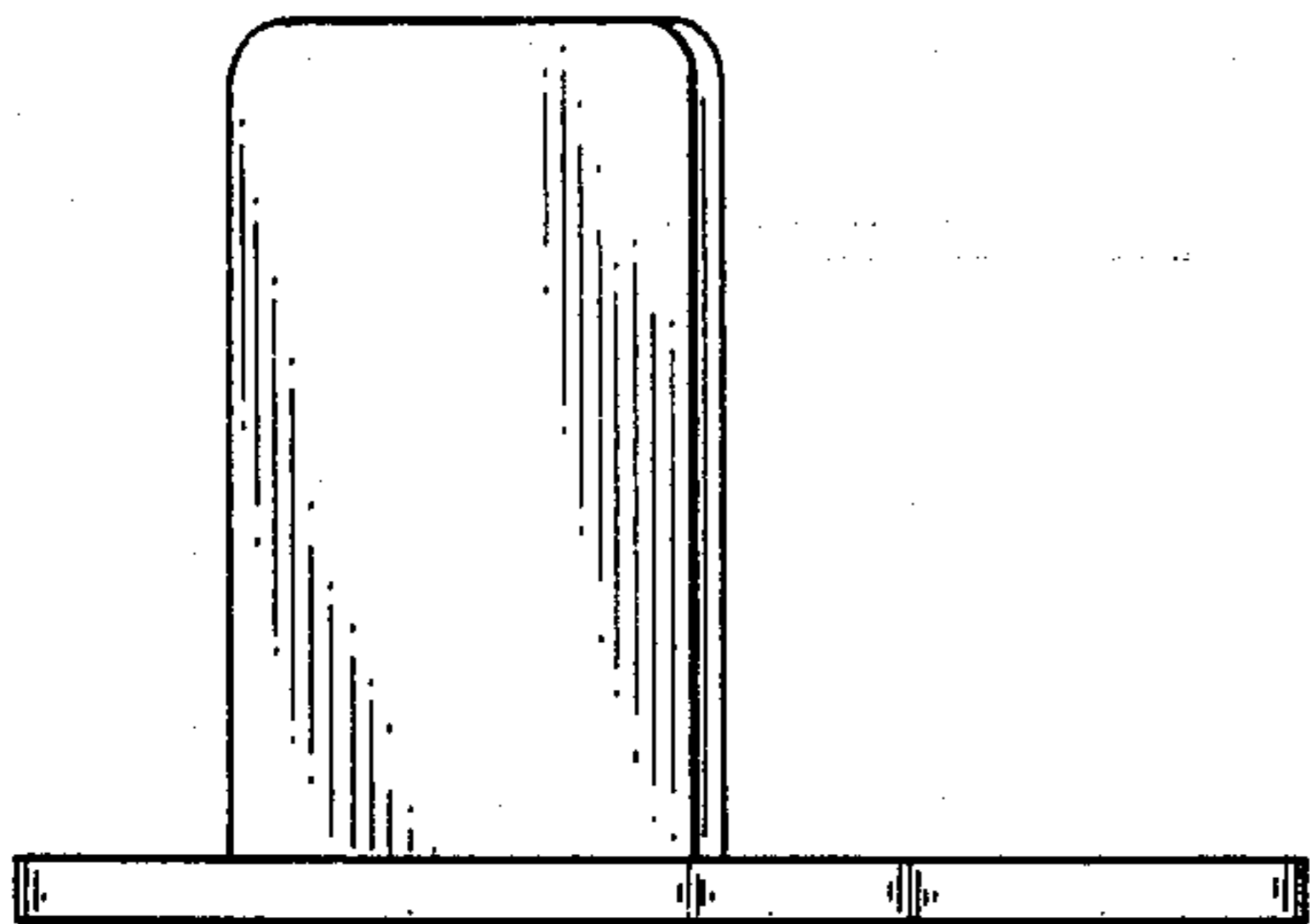


FIG. 4

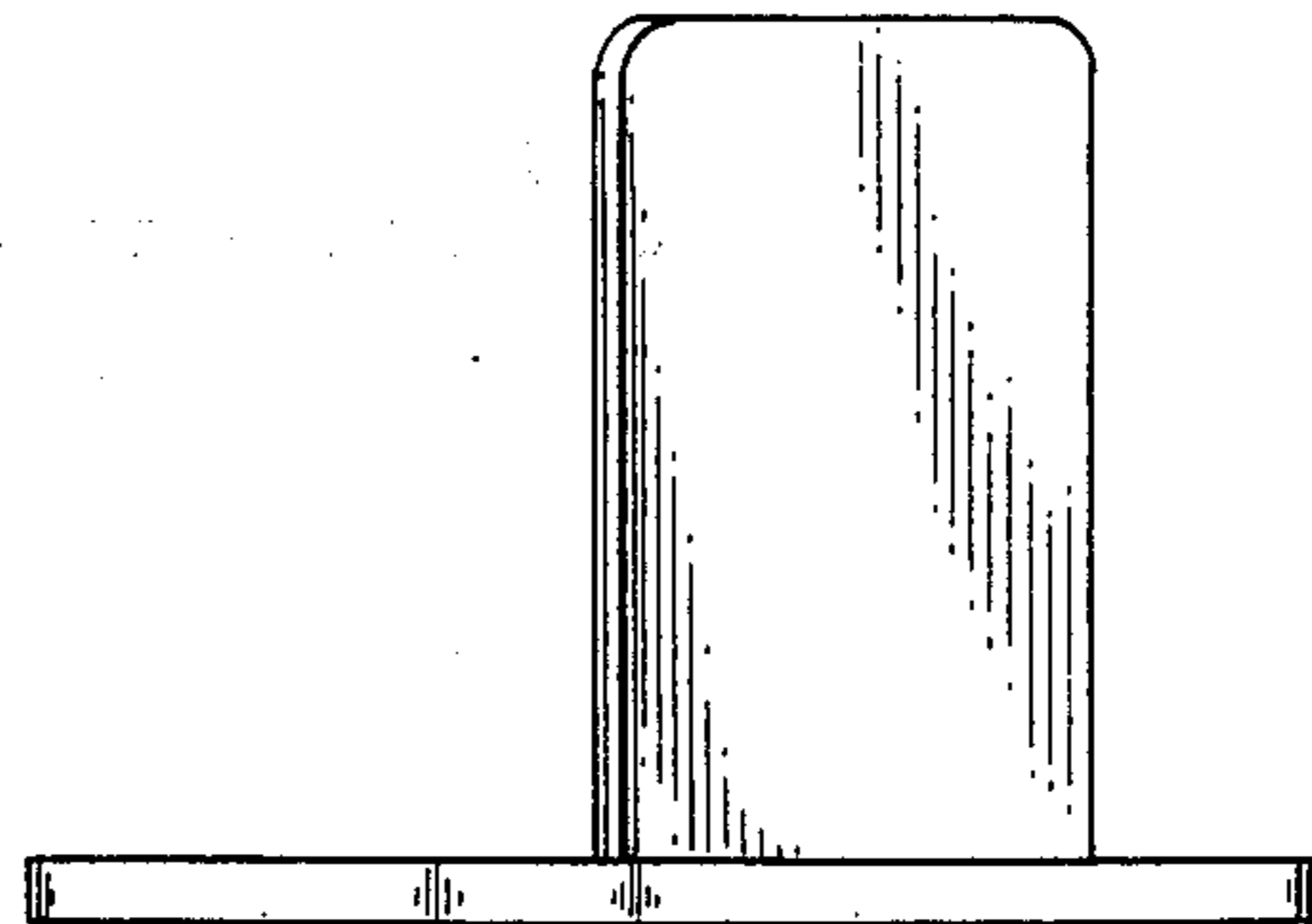


FIG. 5