

[54] PURSE ALARM

3,893,096 7/1975 Tucci et al. 340/571

[76] Inventors: William Levin, 166 Nelson Rd., Scarsdale, N.Y. 10583; Kenneth Skyer, 2 Edgewood Dr., Goshen, N.Y. 10924

Primary Examiner—B. J. Bullock
Assistant Examiner—Suzanne N. Gitlin
Attorney, Agent, or Firm—Gottlieb, Rackman & Reisman

[**] Term: 14 Years

[57] CLAIM

[21] Appl. No.: 495,746

The ornamental design for a purse alarm, as shown and described.

[22] Filed: May 18, 1983

DESCRIPTION

[52] U.S. Cl. D10/106

[58] Field of Search D10/104, 106; 340/568, 340/571, 574, 693; 116/DIG. 44, 77, 99

FIG. 1 is a reduced perspective view of a purse alarm showing my new design;
FIG. 2 is a bottom plan view thereof;
FIG. 3 is a side elevational view taken from the right of FIG. 1;
FIG. 4 is an end elevational view taken from the left of FIG. 1;
FIG. 5 is an end elevational view taken from the right of FIG. 1.

[56] References Cited

U.S. PATENT DOCUMENTS

1,505,954	8/1924	Gill	116/99
2,461,588	2/1949	Cooper	116/99
3,815,118	6/1974	McDonald	340/571

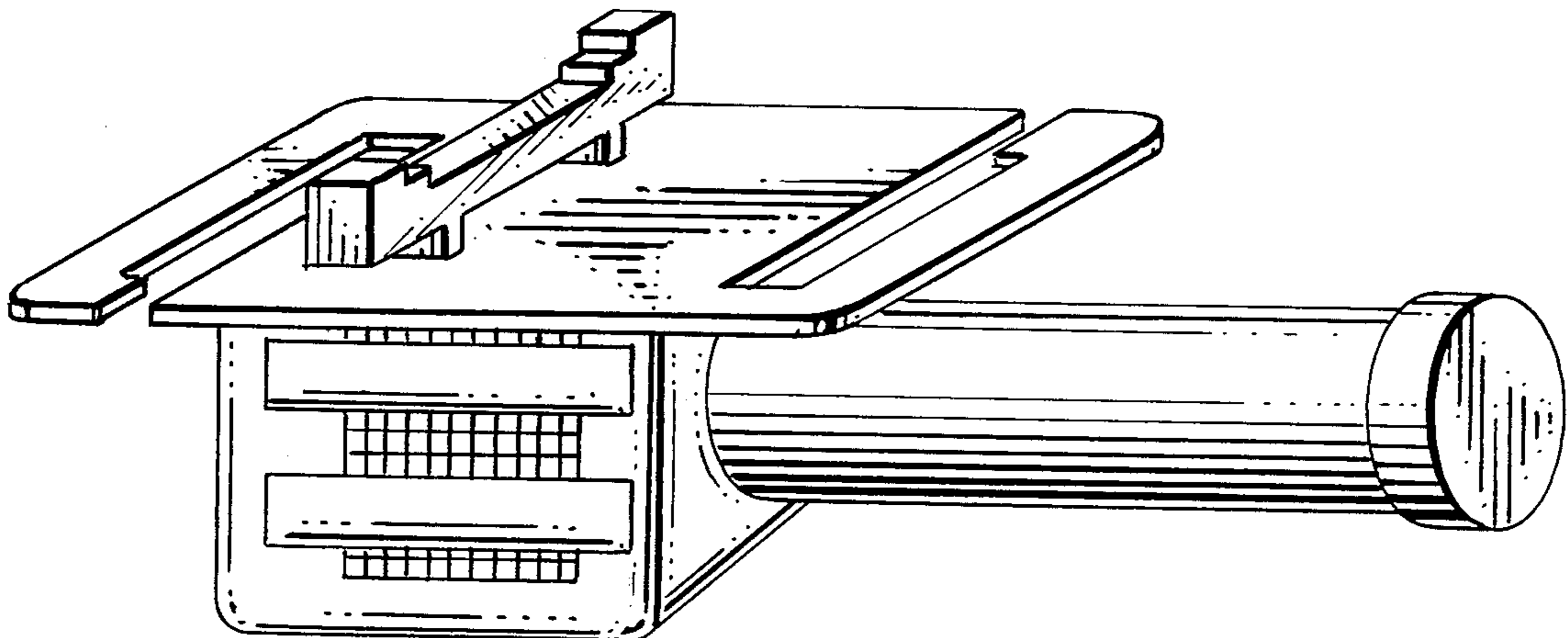


FIG. 1

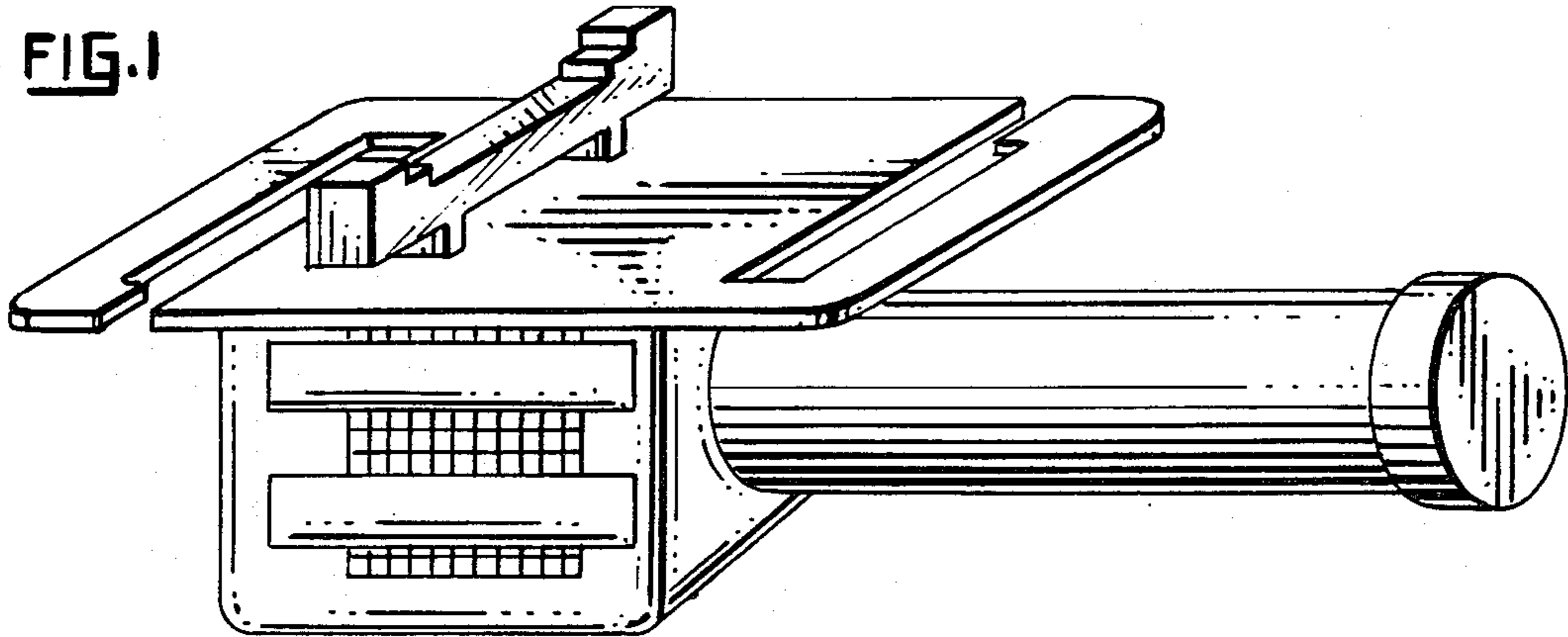


FIG. 2

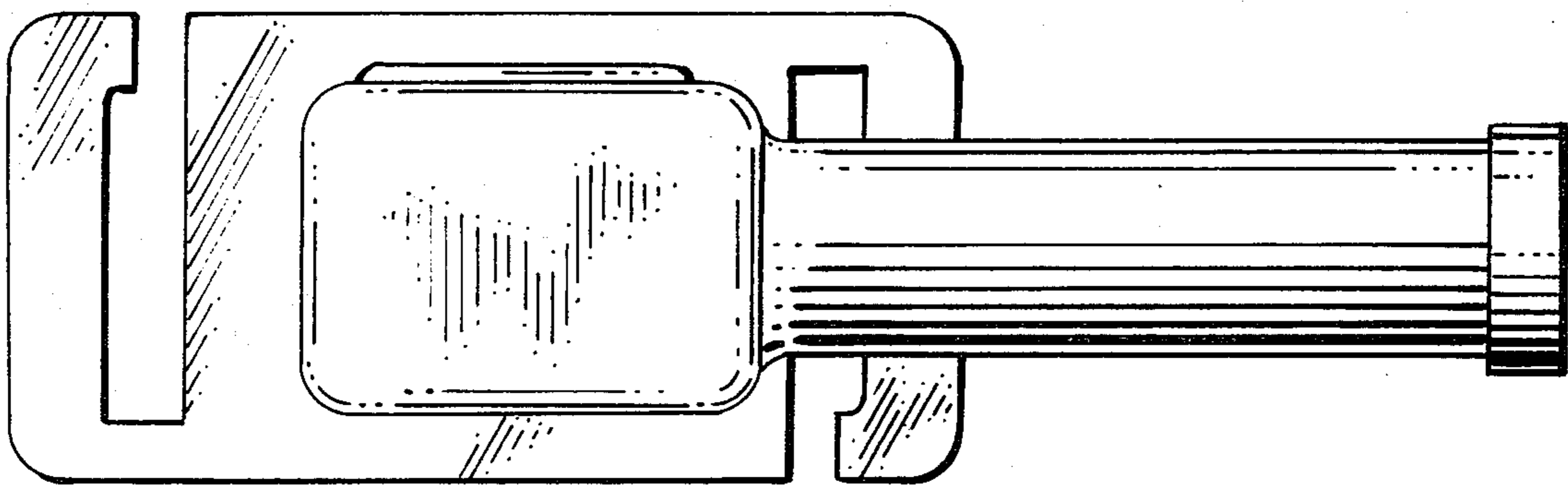


FIG. 3

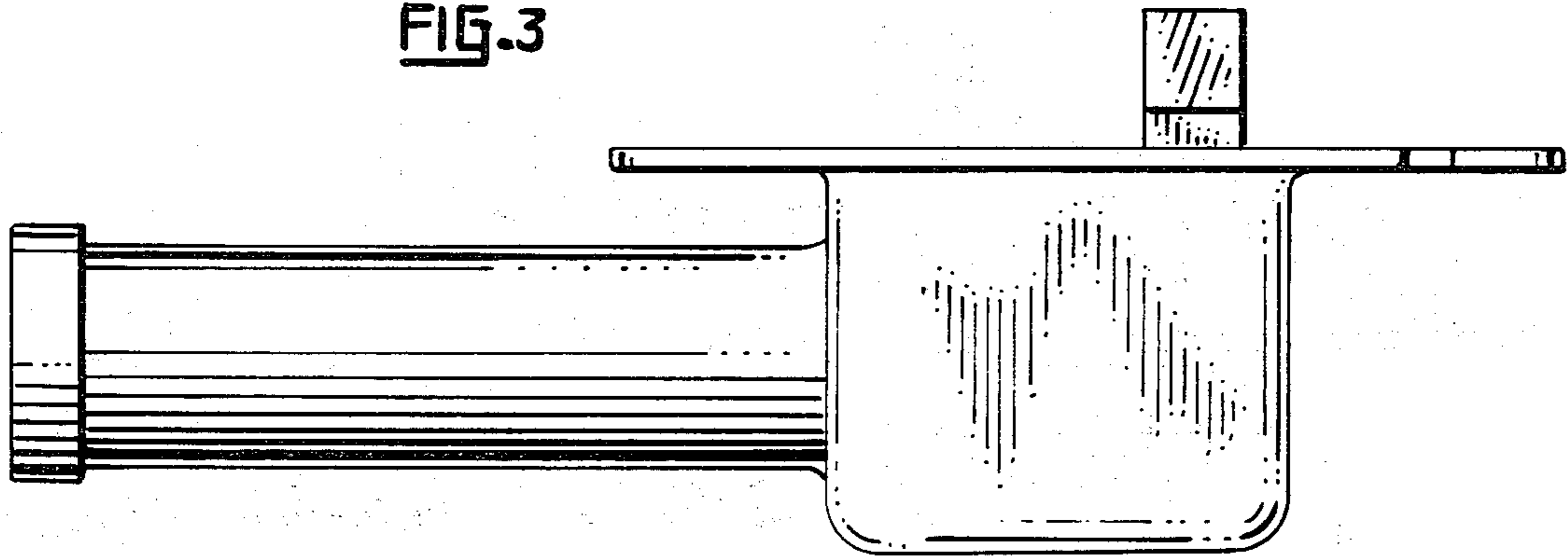


FIG. 4

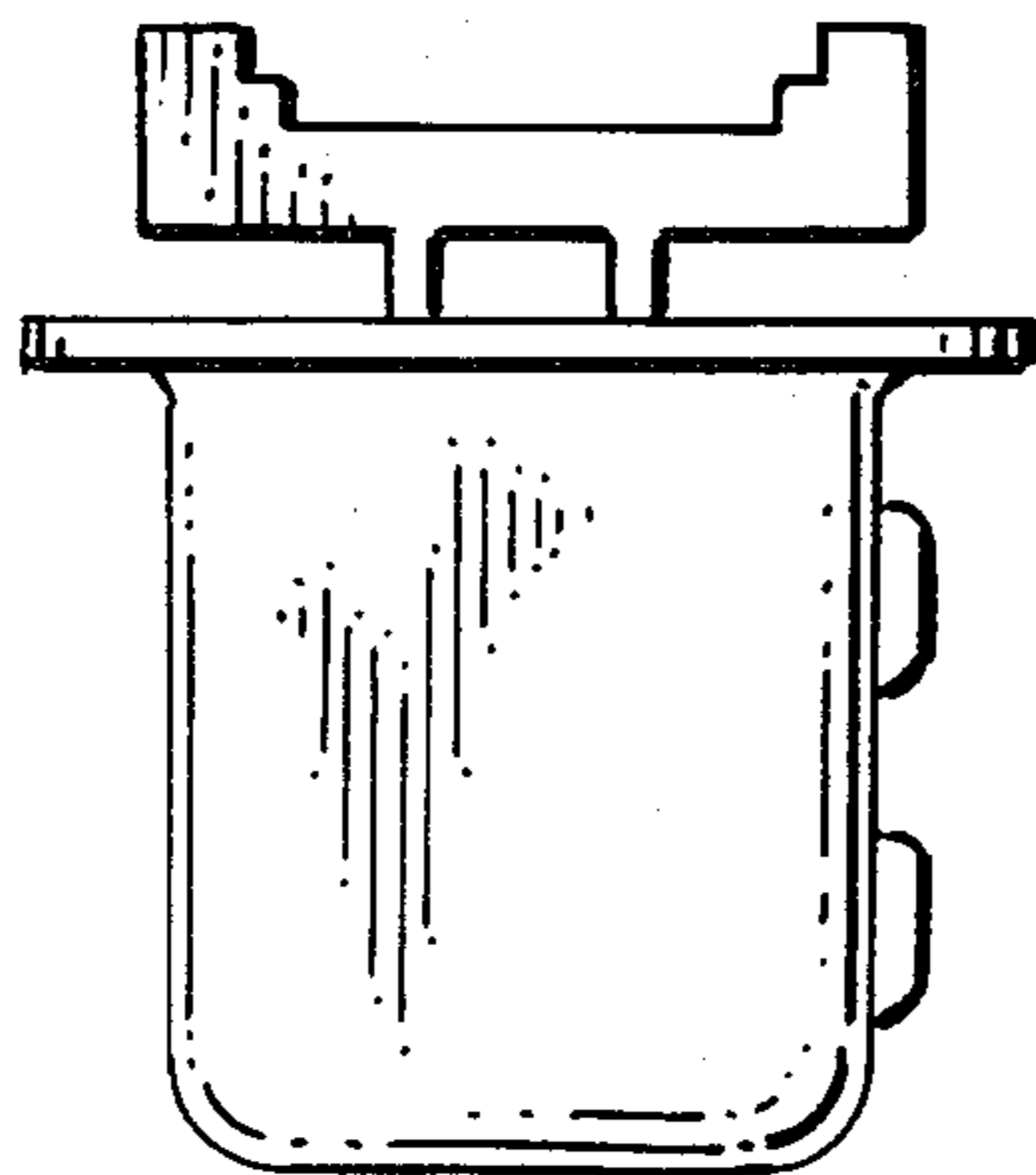
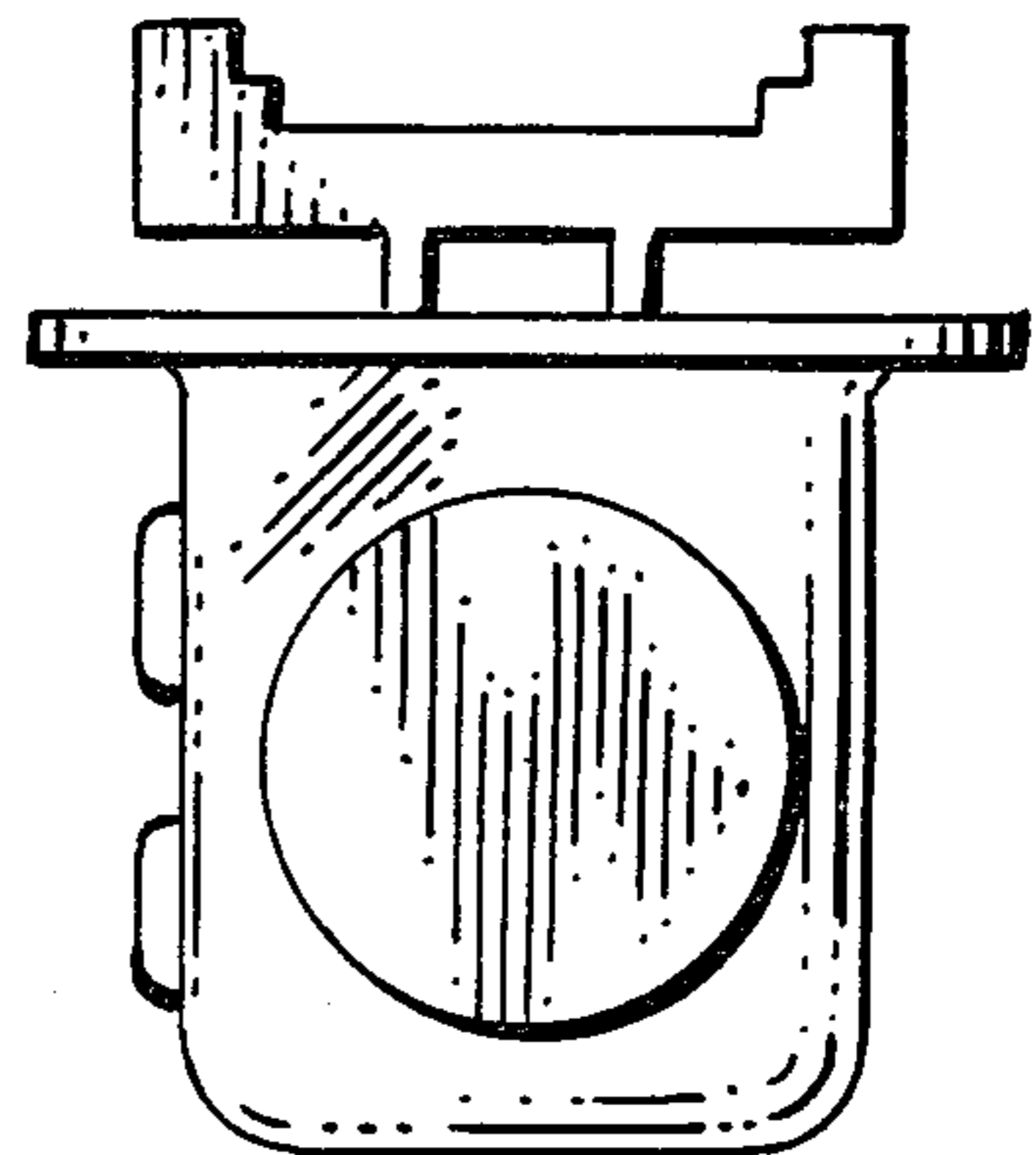


FIG. 5



UNITED STATES PATENT AND TRADEMARK OFFICE

Certificate

Patent No. D. 278,318

Patented April 9, 1985

On petition requesting issuance of a certificate for correction of inventorship pursuant to 35 USC 256, it has been found that the above-identified patent, through error and without any deceptive intent, improperly sets forth the inventorship. Accordingly, it is hereby certified that the correct inventorship of this patent is William Levin.

Signed and Sealed this 12th Day of November, 1985.

BRADLEY R. GARRIS,
*Office of the Deputy Assistant
Commissioner for Patents.*