

[54] **SUPERSONIC TRANSCIEVER LEVEL MEASURE DEVICE**

[76] Inventor: **Roland E. Jelvestam**, Björnidegränd
29, S-162 46 Vällingby, Sweden

[**] Term: **14 Years**

[21] Appl. No.: **445,719**

[22] Filed: **Nov. 30, 1982**

[30] **Foreign Application Priority Data**
Jun. 28, 1982 [SE] Sweden 82-1713

[52] **U.S. Cl.** **D10/101; D10/70 X**

[58] **Field of Search** **D10/101, 70; 73/570;**
340/621, 870.38

[56] **References Cited**
U.S. PATENT DOCUMENTS

D. 184,024	12/1958	Morgan	D10/101
D. 207,845	6/1967	Gerhardt	D10/101
D. 262,360	12/1981	Aslan	D10/103
2,927,301	3/1960	Bouth	340/621 X
4,264,788	4/1981	Keidel	340/621 X

Primary Examiner—Nelson C. Holtje
Attorney, Agent, or Firm—Ladas & Parry

[57] **CLAIM**

The ornamental design for a supersonic transceiver level measure device, as shown.

DESCRIPTION

FIG. 1 is a front and top perspective view of a supersonic transceiver level measure device showing my new design;
FIG. 2 is a rear and bottom perspective view thereof.

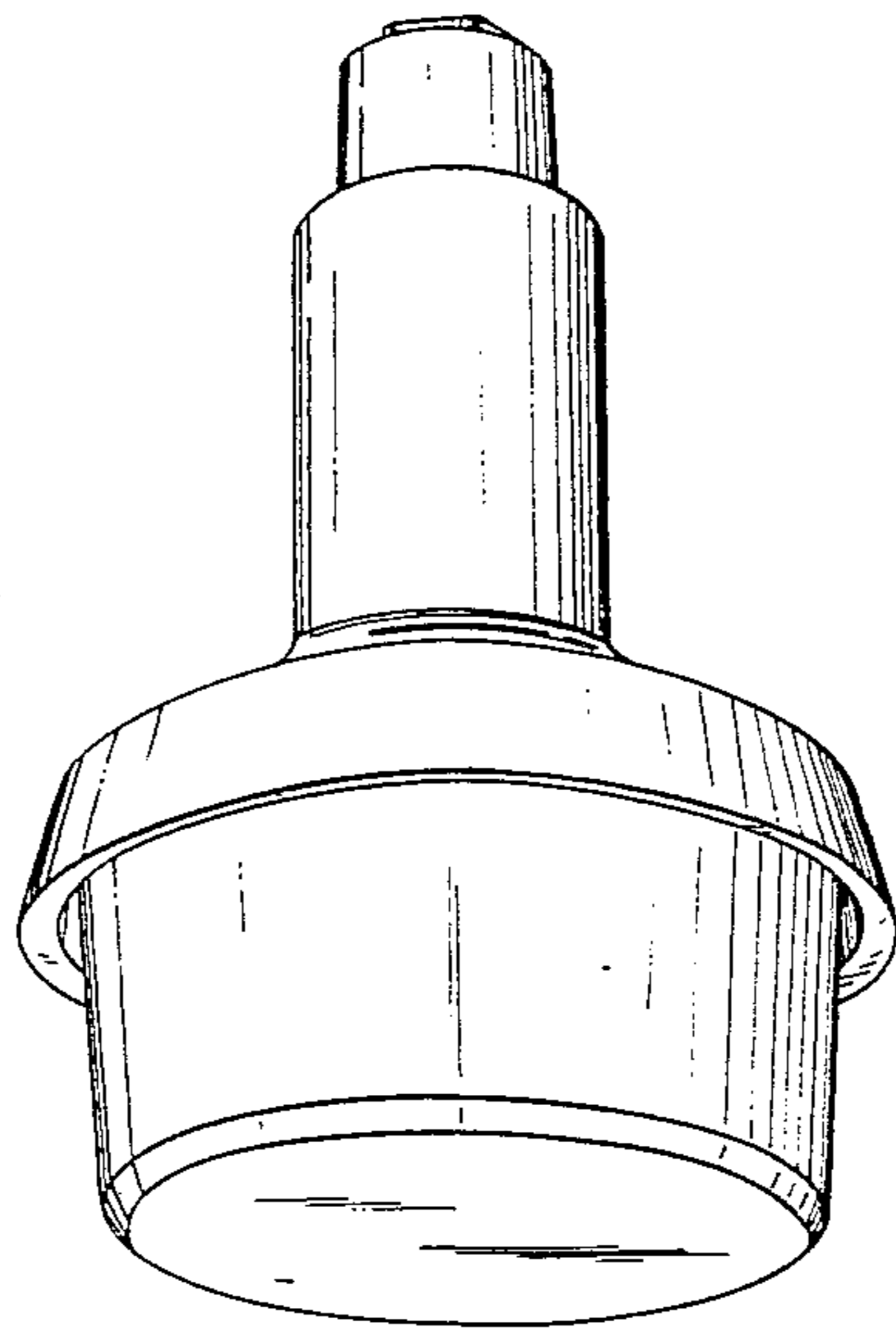


FIG. 1

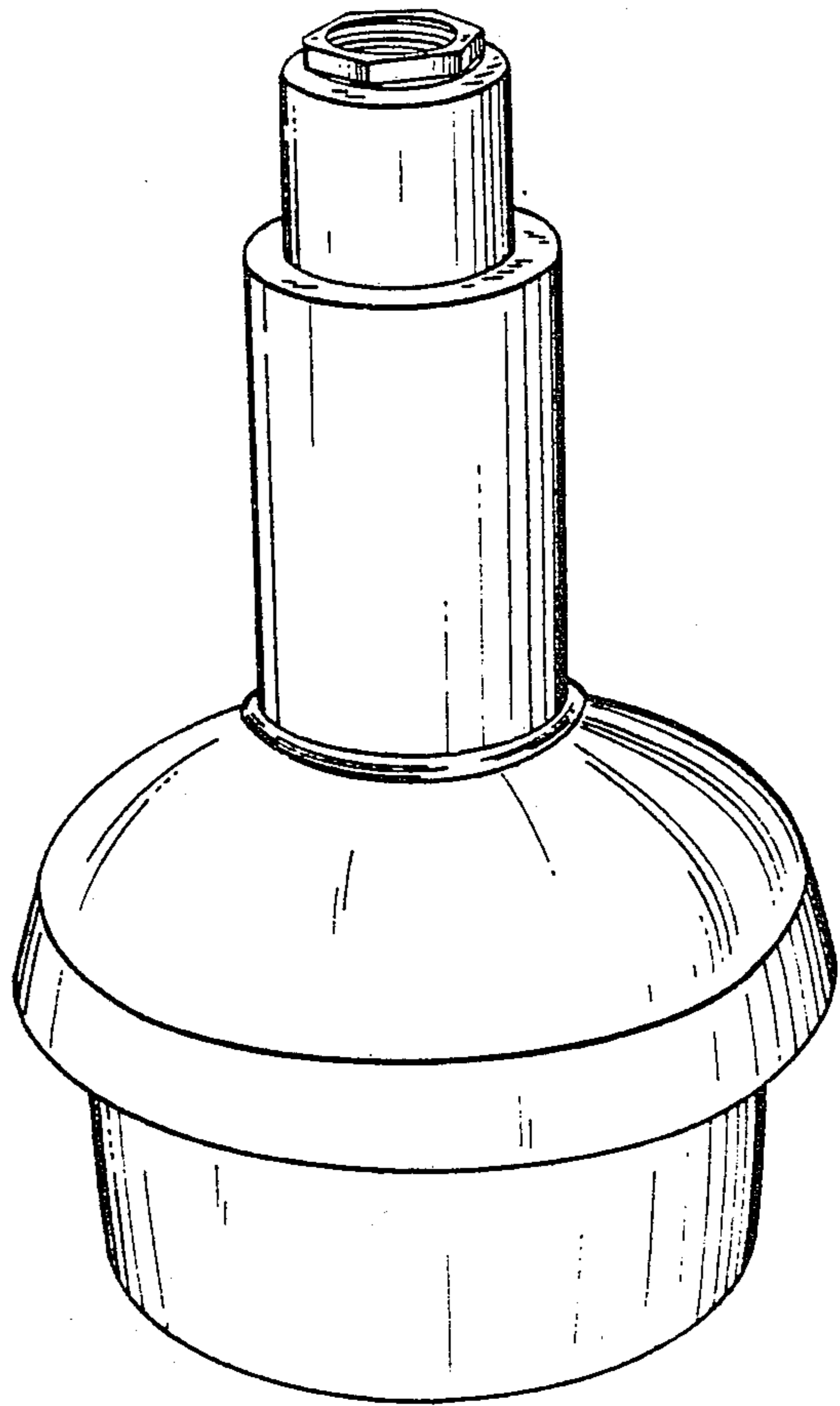


FIG. 2

