

[54] **WATCH CASE**

D. 271,473 11/1983 Dubashi ..... D10/38

[75] **Inventor: John T. Houlihan, Watertown, Conn.**

[73] **Assignee: Timex Corporation, Waterbury, Conn.**

[\*\*] **Term: 14 Years**

[21] **Appl. No.: 480,629**

[22] **Filed: Mar. 30, 1983**

[52] **U.S. Cl. .... D10/30; D10/38 X**

[58] **Field of Search .... D10/30-39,  
D10/122-126; 368/29-30, 82-84, 80, 223, 228,  
239-242, 276-278, 280-282, 285**

[56] **References Cited**

**U.S. PATENT DOCUMENTS**

- D. 245,400 8/1977 Osawa ..... D10/3
- D. 267,548 1/1983 Wada ..... D10/38
- D. 269,767 7/1983 Houlihan et al. .... D10/38
- D. 269,951 8/1983 Berhardt et al. .... D10/38

**OTHER PUBLICATIONS**

*European Jeweler*-6/83-p. 43-Watches at lower left.  
*Hong Kong Enterprises*-6/81-p. 152-Watches.  
*Swiss Watch & Jewellery Journal*-2/81-p. 175-Watches.

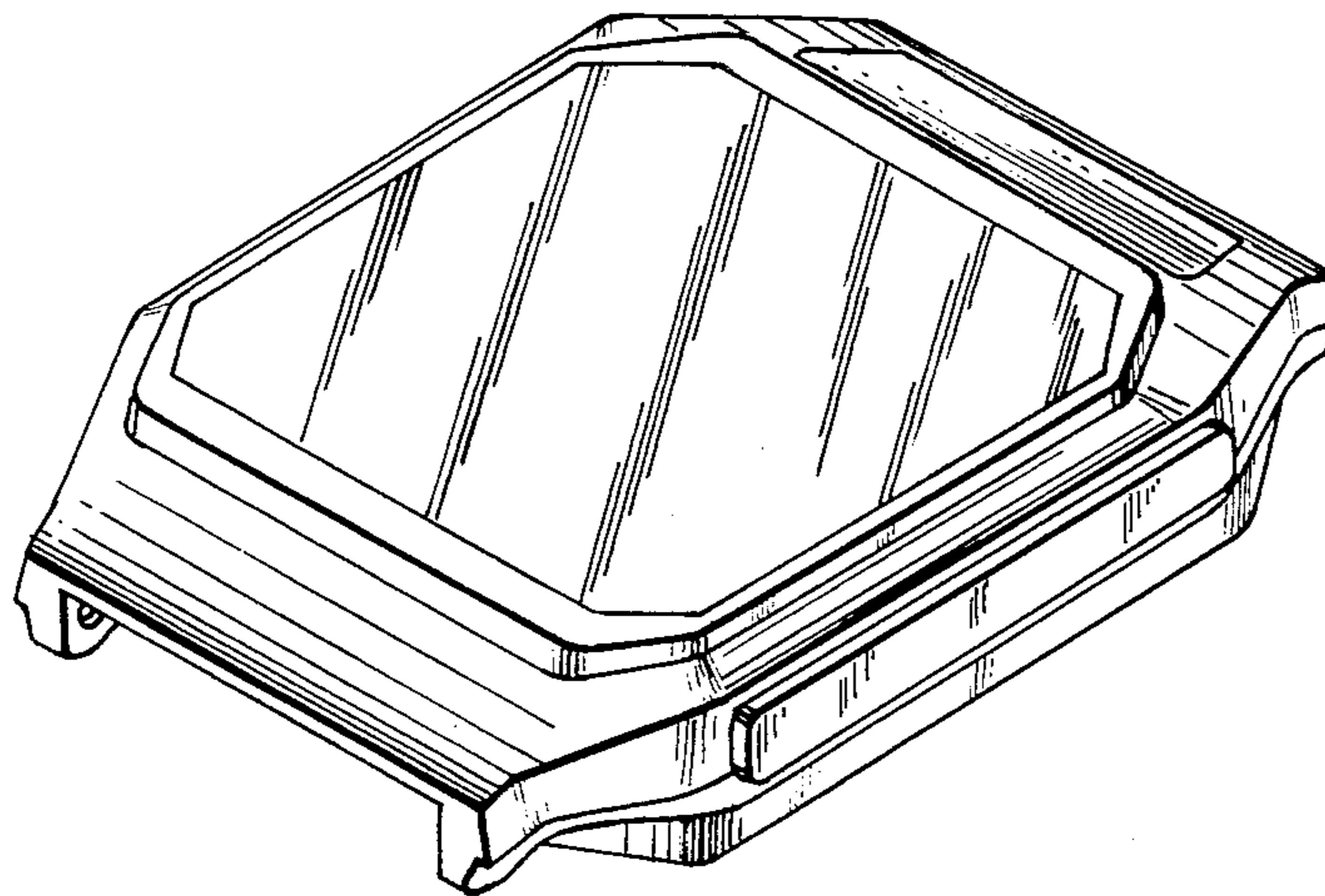
*Primary Examiner*-Nelson C. Holtje  
*Attorney, Agent, or Firm*-William C. Crutcher

[57] **CLAIM**

The ornamental design for a watch case, as shown and described.

**DESCRIPTION**

FIG. 1 is a top and right front perspective view of a watch case showing my new design;  
FIG. 2 is a top plan view thereof, the bottom being conventionally plain and unornamented;  
FIG. 3 is a right side elevational view thereof, the left side being a mirror image thereof;  
FIG. 4 is a front elevational view thereof;  
FIG. 5 is a rear elevational view thereof.



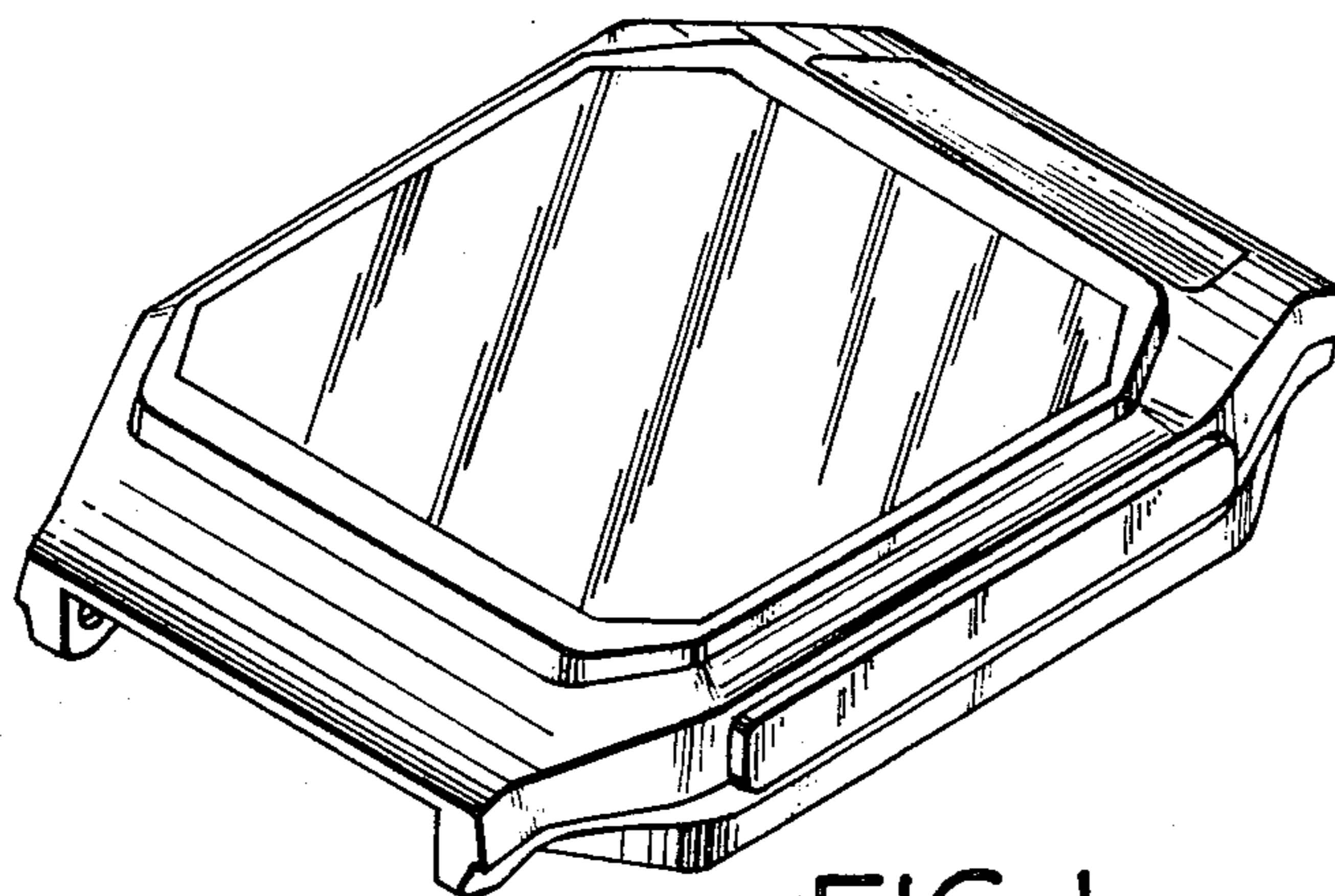


FIG. 1

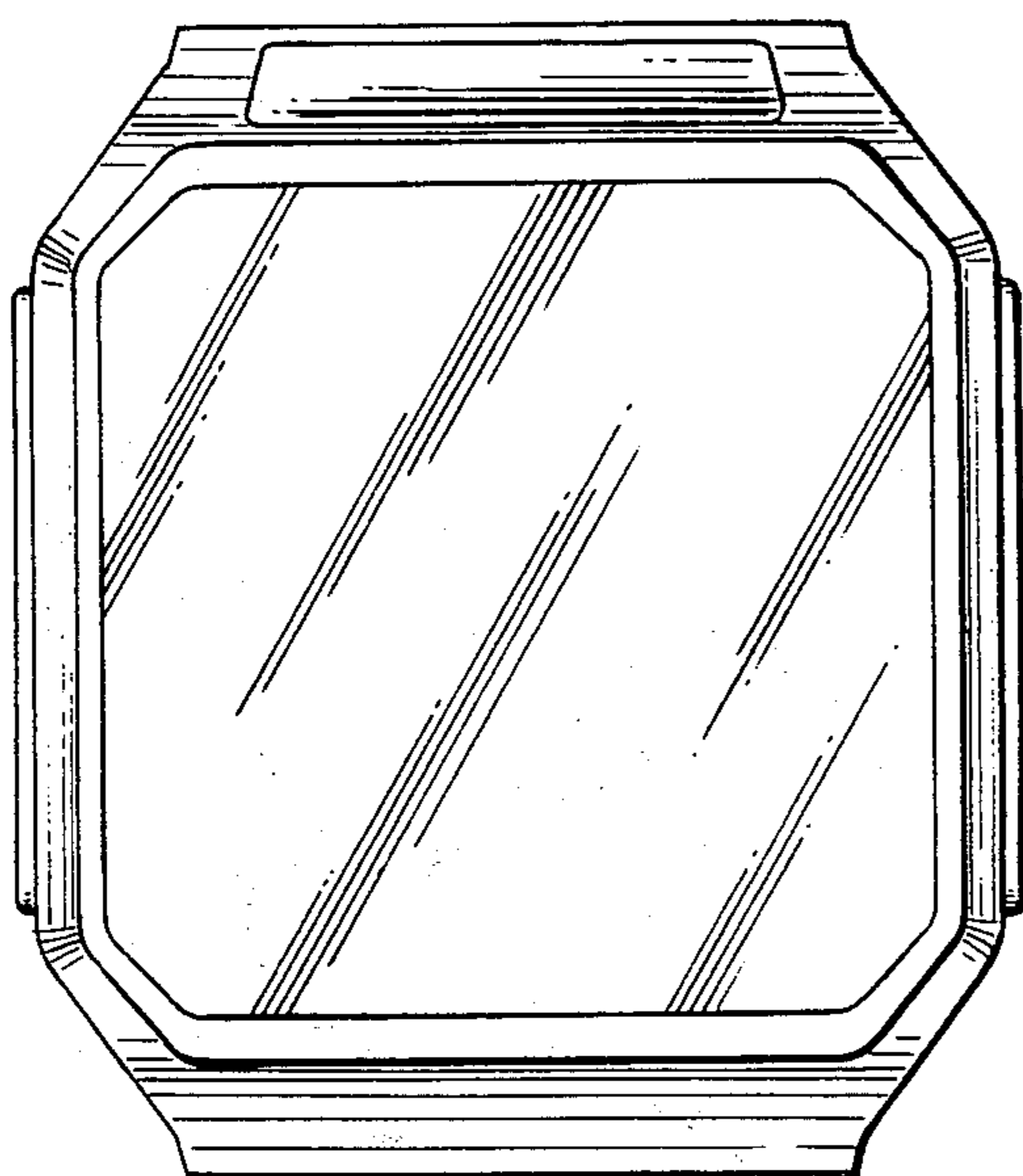


FIG. 2



FIG. 3

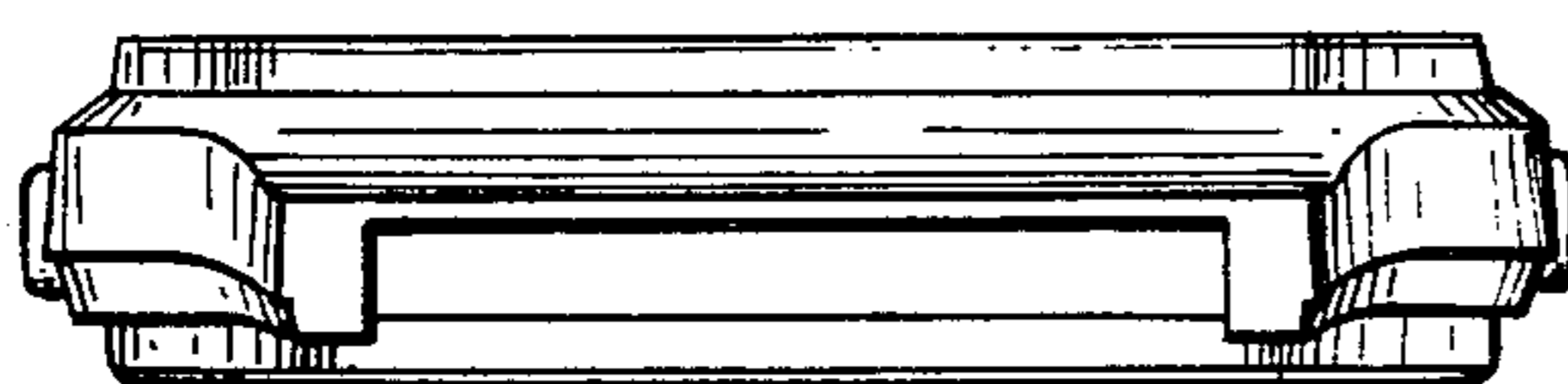


FIG. 4

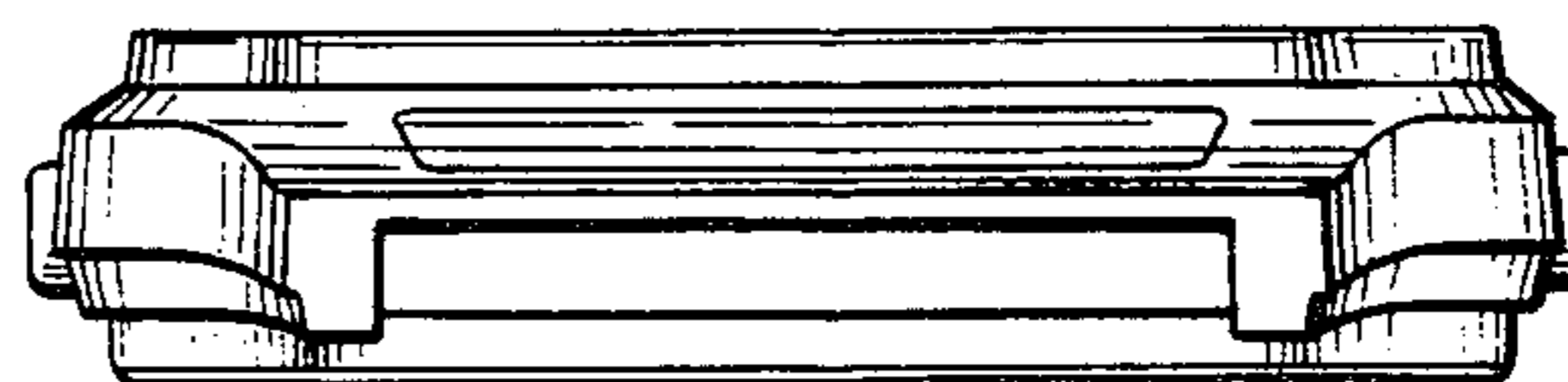


FIG. 5