

[54] WAFFLE MAKER

[75] Inventors: Alfred W. Madl, Glendale; Charles J. Kirschling, Whitefish Bay, both of Wis.

[73] Assignee: Sunbeam Corporation, Oak Brook, Ill.

[**] Term: 14 Years

[21] Appl. No.: 457,798

[22] Filed: Jan. 13, 1983

[52] U.S. Cl. D7/352

[58] Field of Search D7/352, 350, 363, 347, D7/346, 328, 354, 323; D3/73, 72; 99/372-381

[56] References Cited

U.S. PATENT DOCUMENTS

D. 195,801	7/1953	Carpenter	D7/352
D. 259,975	7/1981	Labarbera	D3/72
D. 274,113	6/1984	Steinkamp	D7/352
2,358,452	9/1944	Garstang	D7/352 X
2,860,224	11/1958	Tammen	99/380 X

OTHER PUBLICATIONS

Masters 1958 Catalog, p. 34, Small Household Appliances.

Hong Kong Enterprise, Dec. 1981, p. 268, Sandwick Toaster.

Form 1-1976, p. 76, Waffle Grill.

Primary Examiner—Bernard Ansher

Assistant Examiner—Linda M. Titolo

Attorney, Agent, or Firm—Neil M. Rose; Clifford A.

Dean; Robert J. Fox

[57] CLAIM

The ornamental design for a waffle maker, as shown.

DESCRIPTION

FIG. 1 is a top perspective of a waffle maker showing our new design;

FIG. 2 is a top plan view thereof;

FIG. 3 is a front elevation view thereof;

FIG. 4 is a right side elevation view thereof;

FIG. 5 is a rear elevation view thereof;

FIG. 6 is a bottom plan view thereof; and

FIG. 7 is a top perspective view thereof showing the waffle maker in an alternate position.

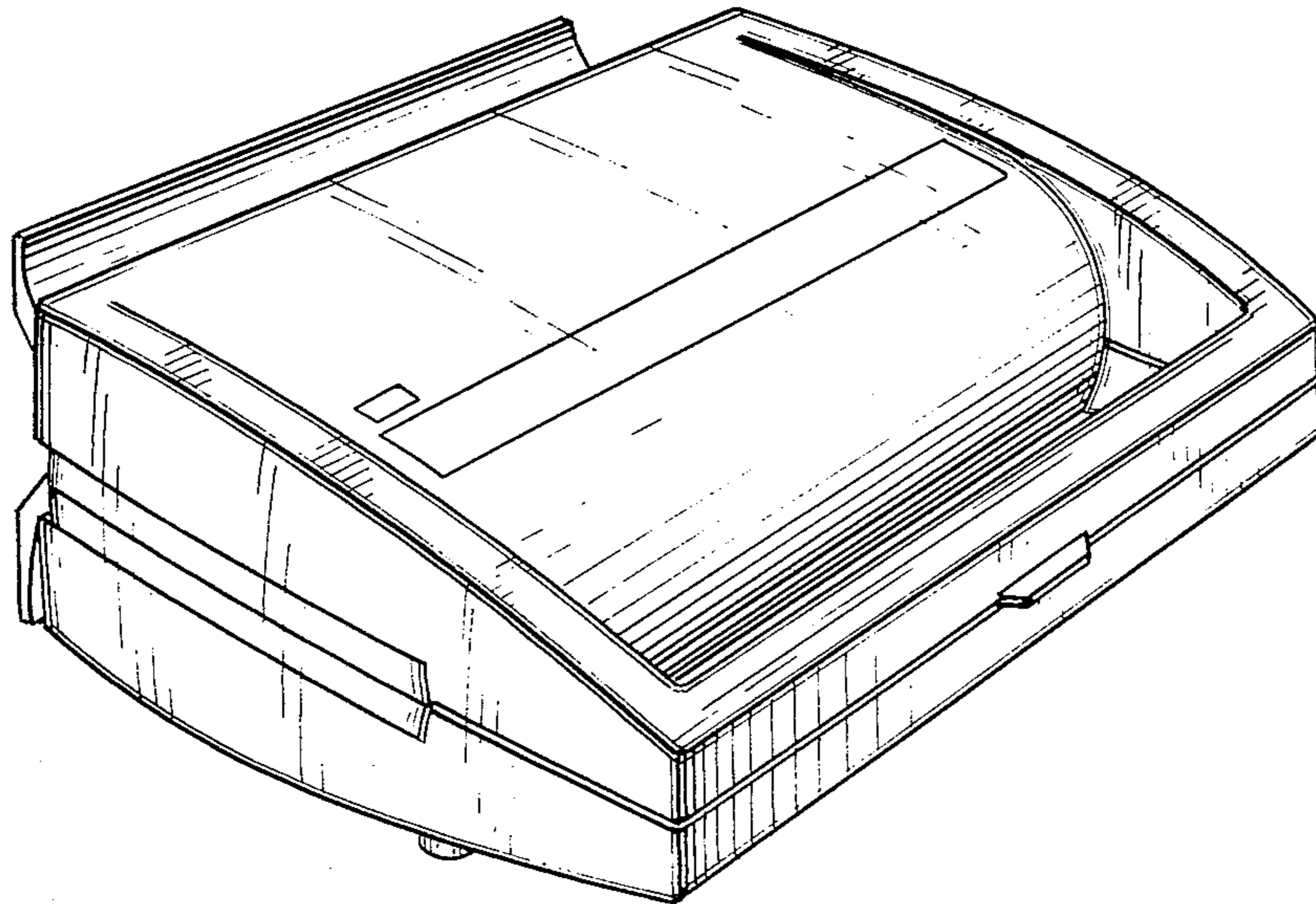


Fig. 1.

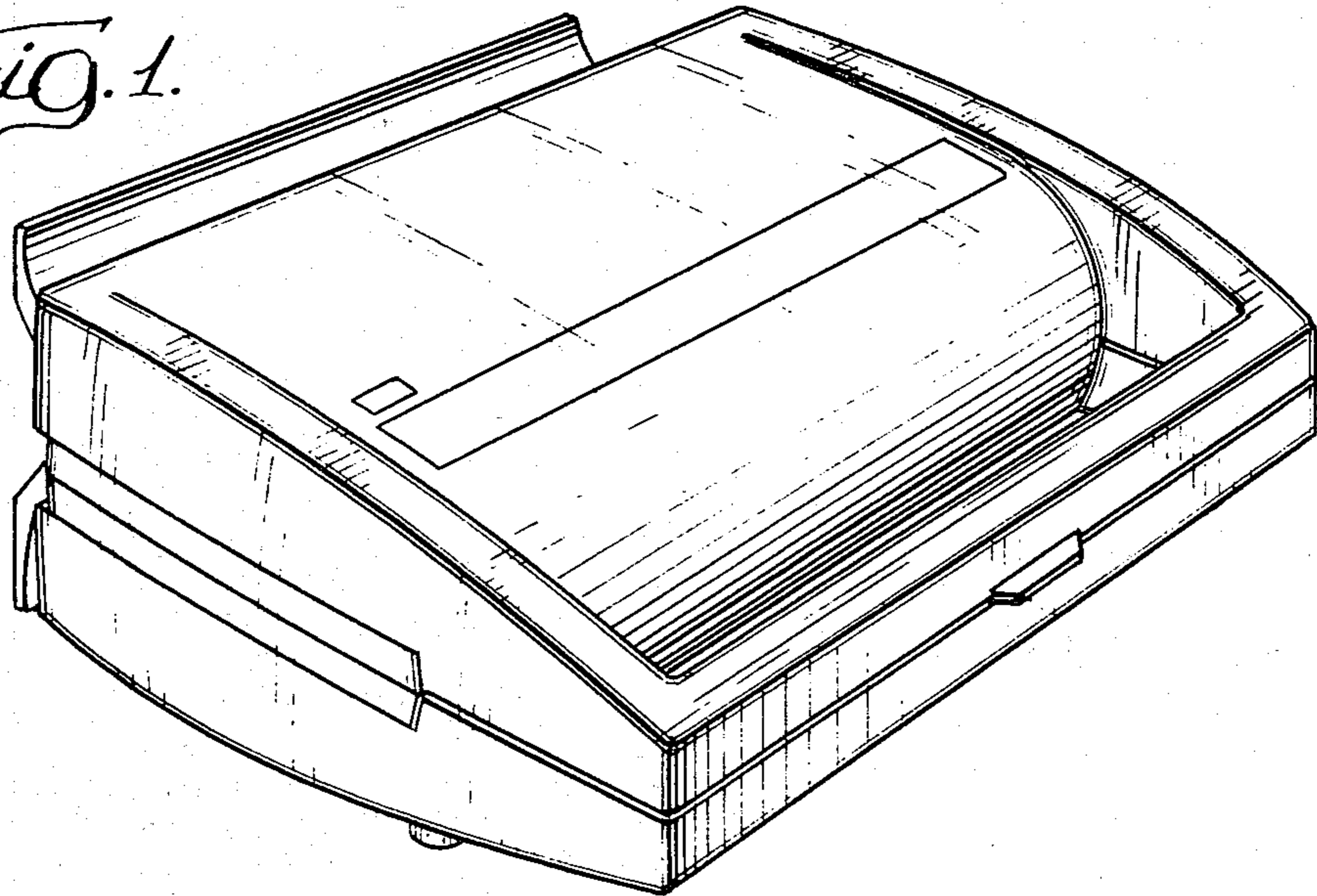


Fig. 2.

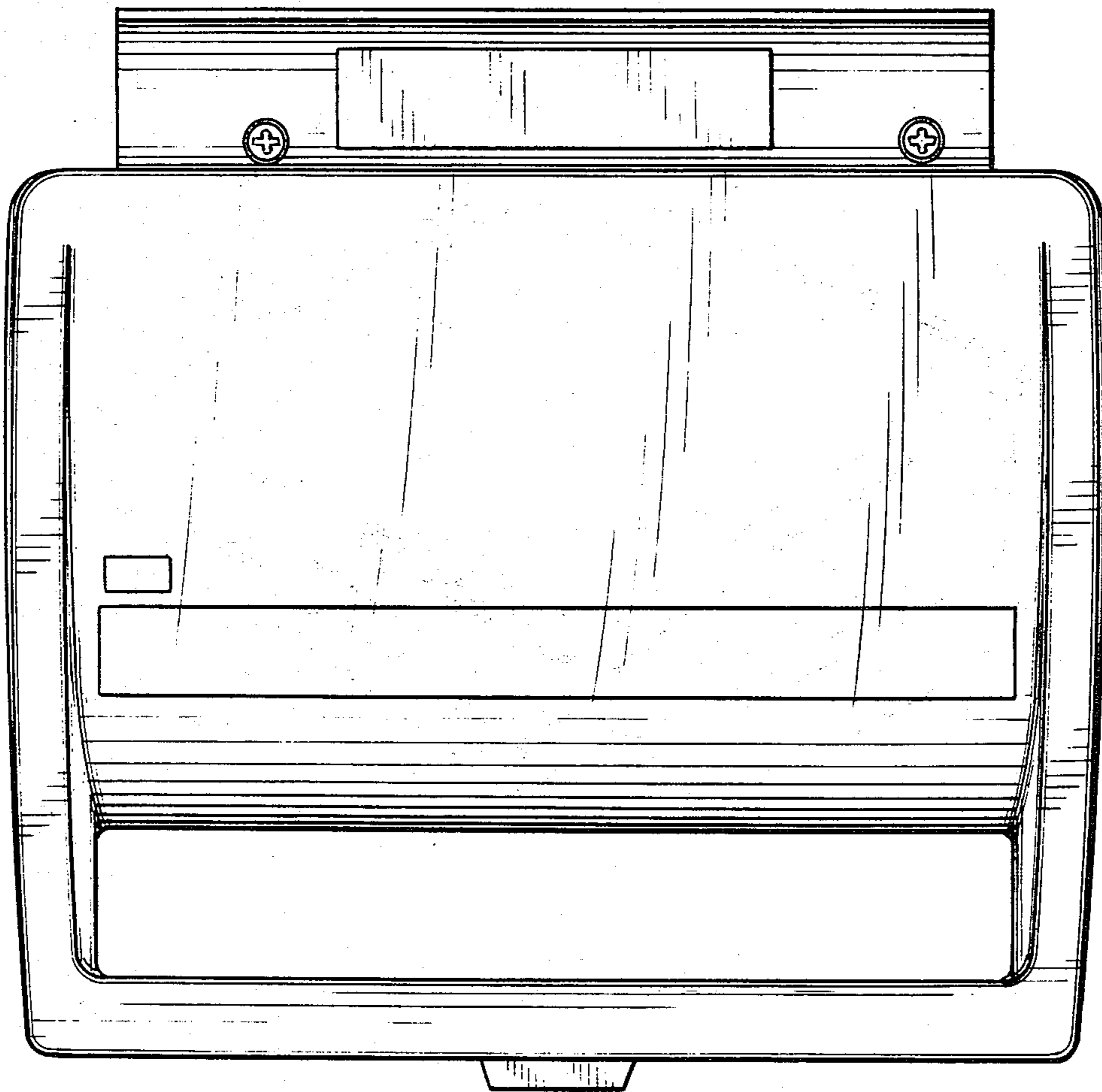


FIG. 3.

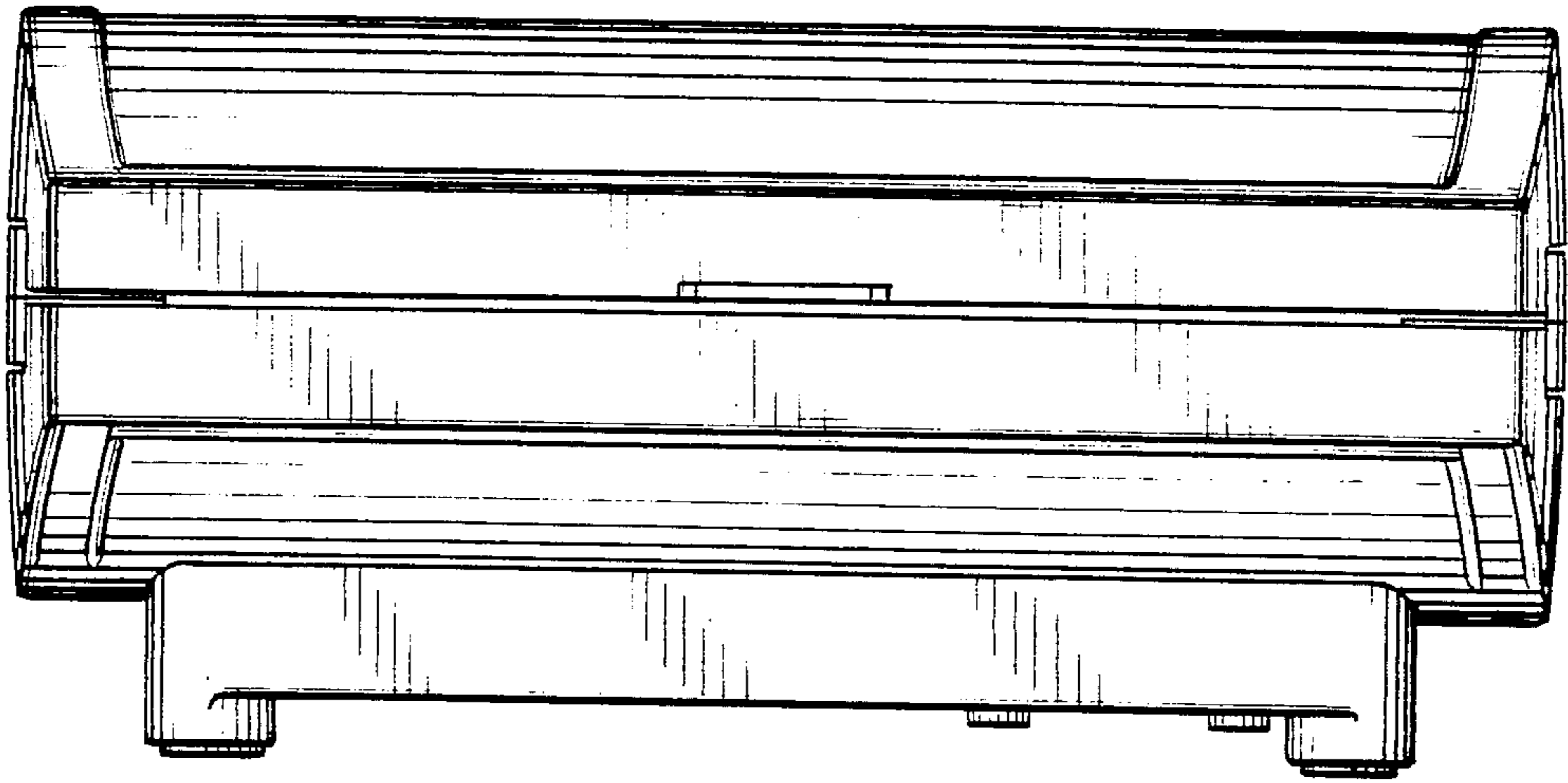


FIG. 4.

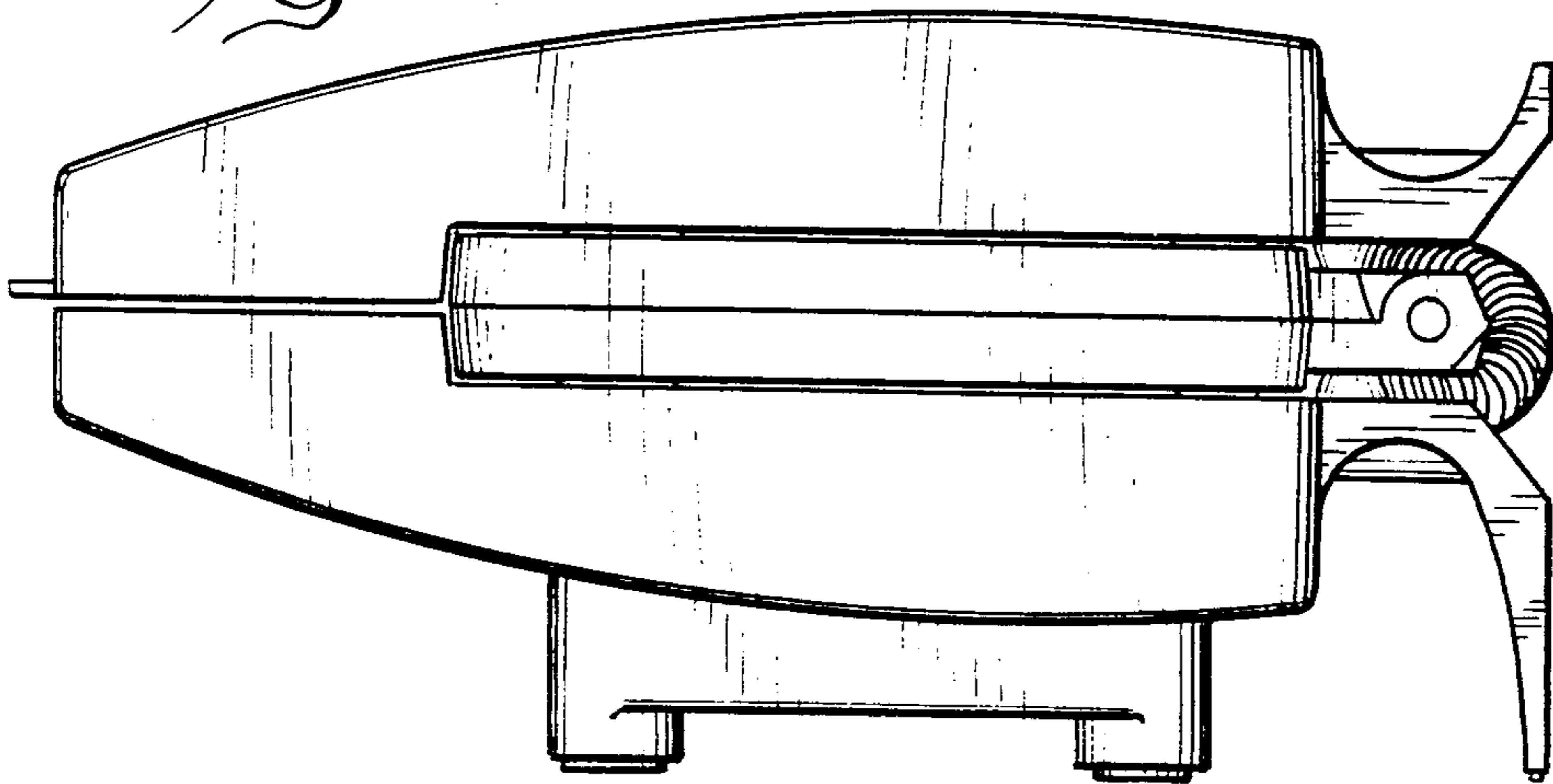


FIG. 5.

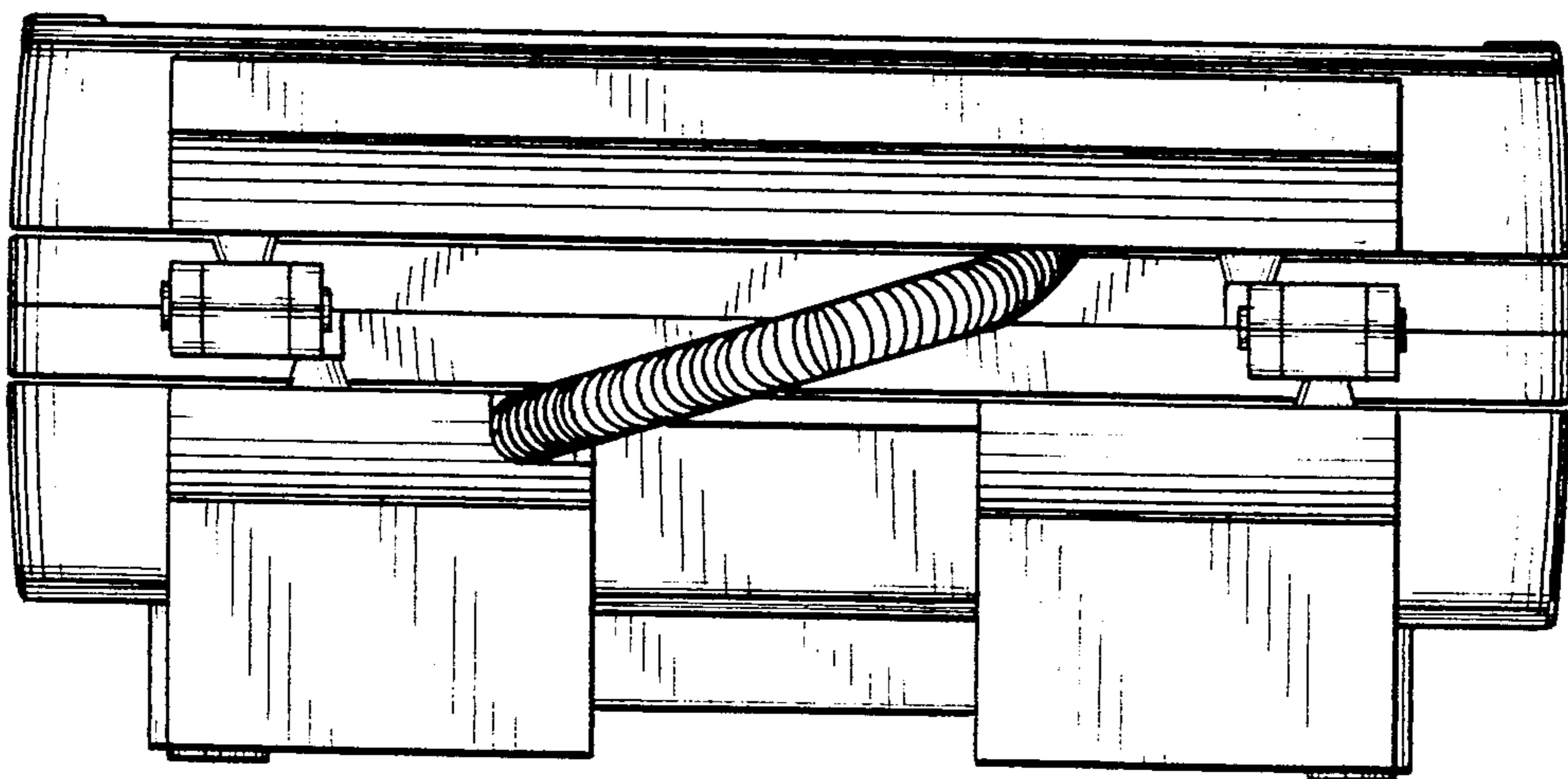


FIG. 6.

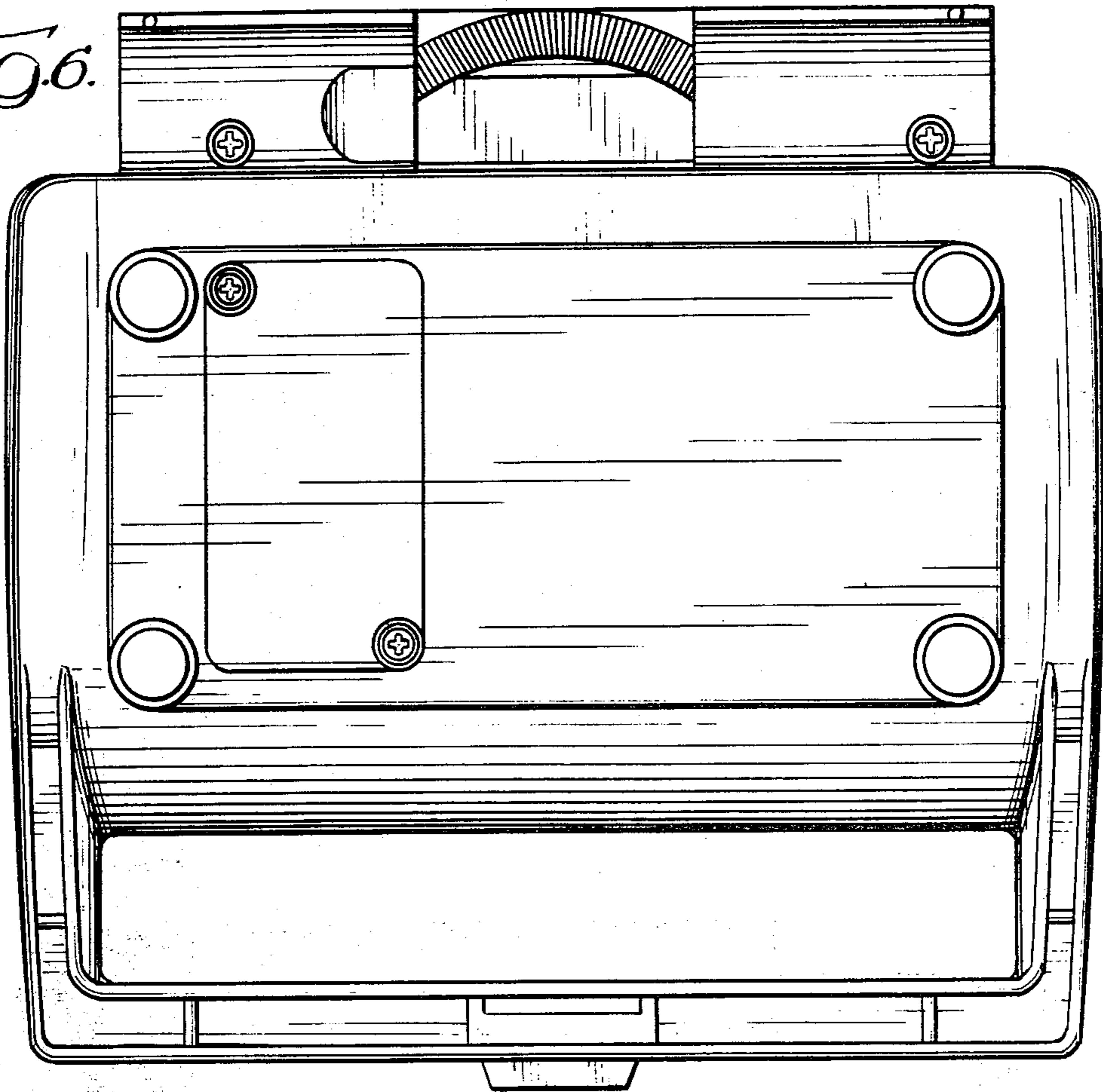


FIG. 7.

