

[54] TISSUE BOX HOLDER

[76] Inventor: Bruce R. Thompson, 32 Shakespeare Ave., Tranmere, South Australia, Australia

[**] Term: 14 Years

[21] Appl. No.: 438,050

[22] Filed: Nov. 1, 1982

[30] Foreign Application Priority Data

May 5, 1982 [AU] Australia 302/82

[52] U.S. Cl. D6/518

[58] Field of Search D6/86, 98, 96; 221/45, 221/46, 282, 283; 206/494

[56] References Cited

U.S. PATENT DOCUMENTS

- D. 182,391 3/1958 Tuttle D6/98
- D. 188,917 9/1960 Guyer D6/98
- 3,514,014 5/1970 Skowronski 221/46
- 3,826,361 7/1974 Heckrodt 206/494

FOREIGN PATENT DOCUMENTS

513434 1/1961 Canada 206/494

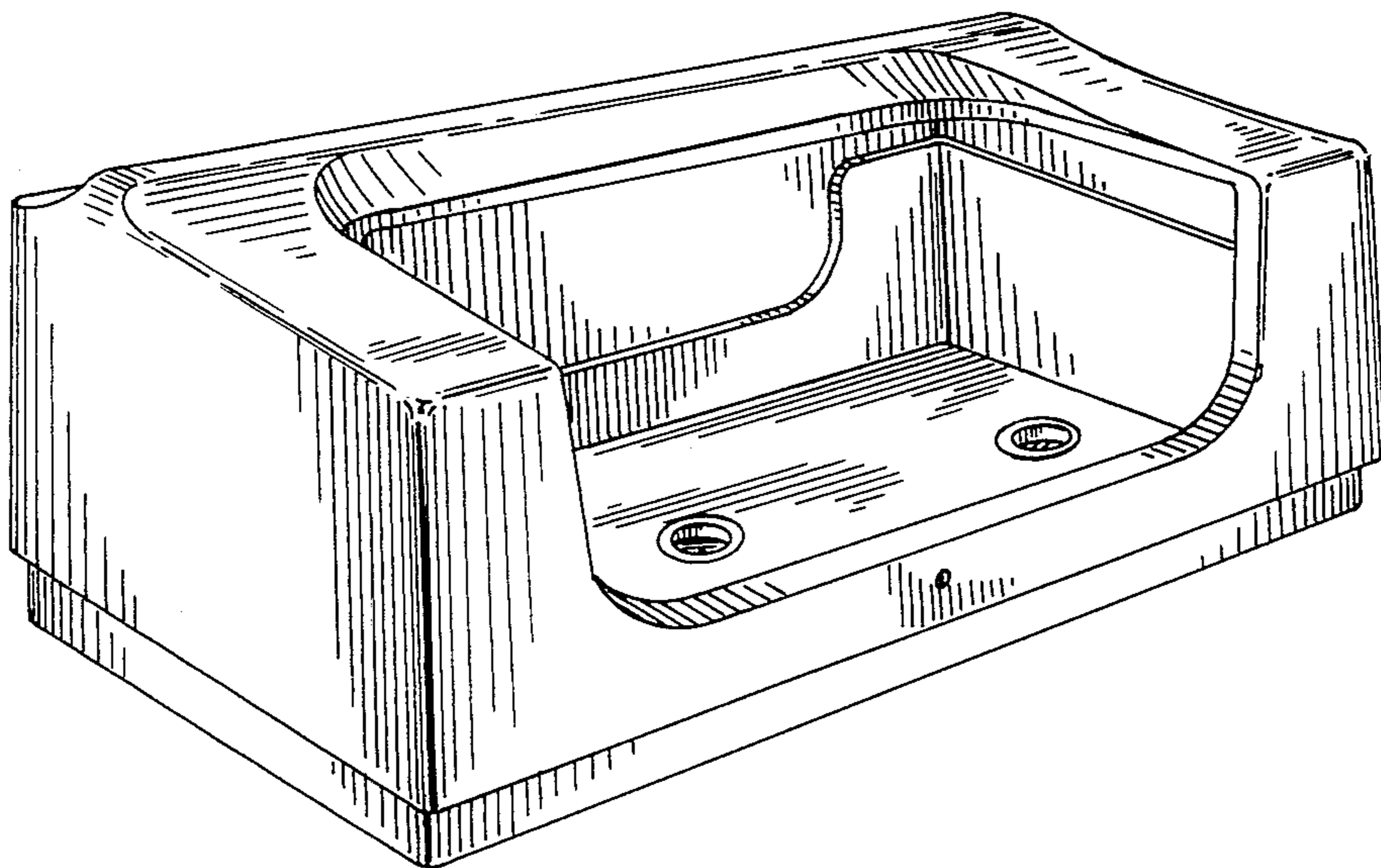
Primary Examiner—Wallace R. Burke
Assistant Examiner—Suzanne N. Gitlin
Attorney, Agent, or Firm—McDougall, Hersh & Scott

[57] CLAIM

The ornamental design for a tissue box holder, as shown.

DESCRIPTION

FIG. 1 is a top and front perspective view of a tissue box holder showing my new design;
FIG. 2 is an exploded perspective thereof;
FIG. 3 is a front elevational view thereof;
FIG. 4 is a rear elevational view thereof;
FIG. 5 is a top plan view thereof;
FIG. 6 is a bottom plan view thereof;
FIG. 7 is an end elevational view taken from the left of FIG. 1;
FIG. 8 is an end elevational view taken from the right of FIG. 1.



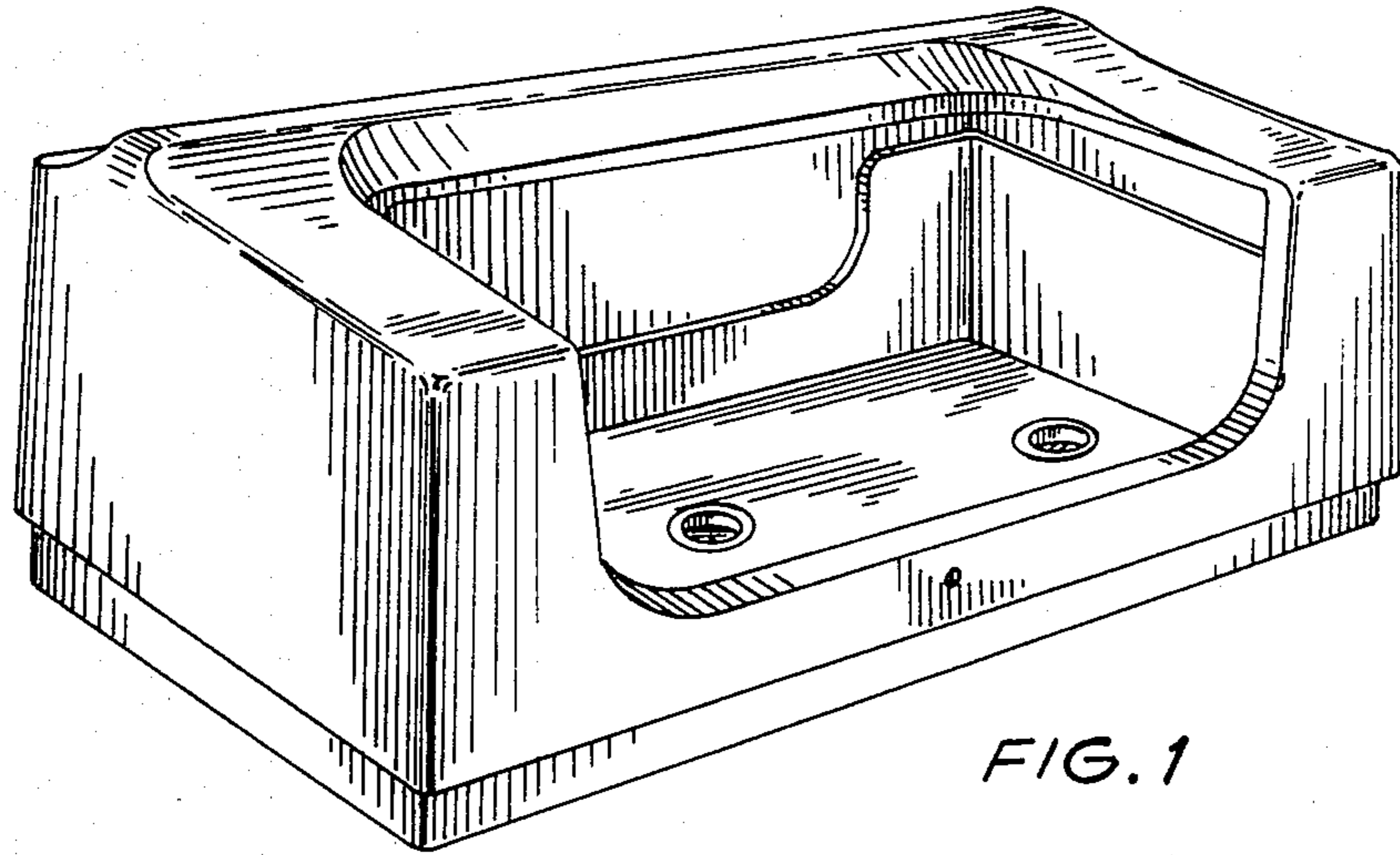


FIG. 1

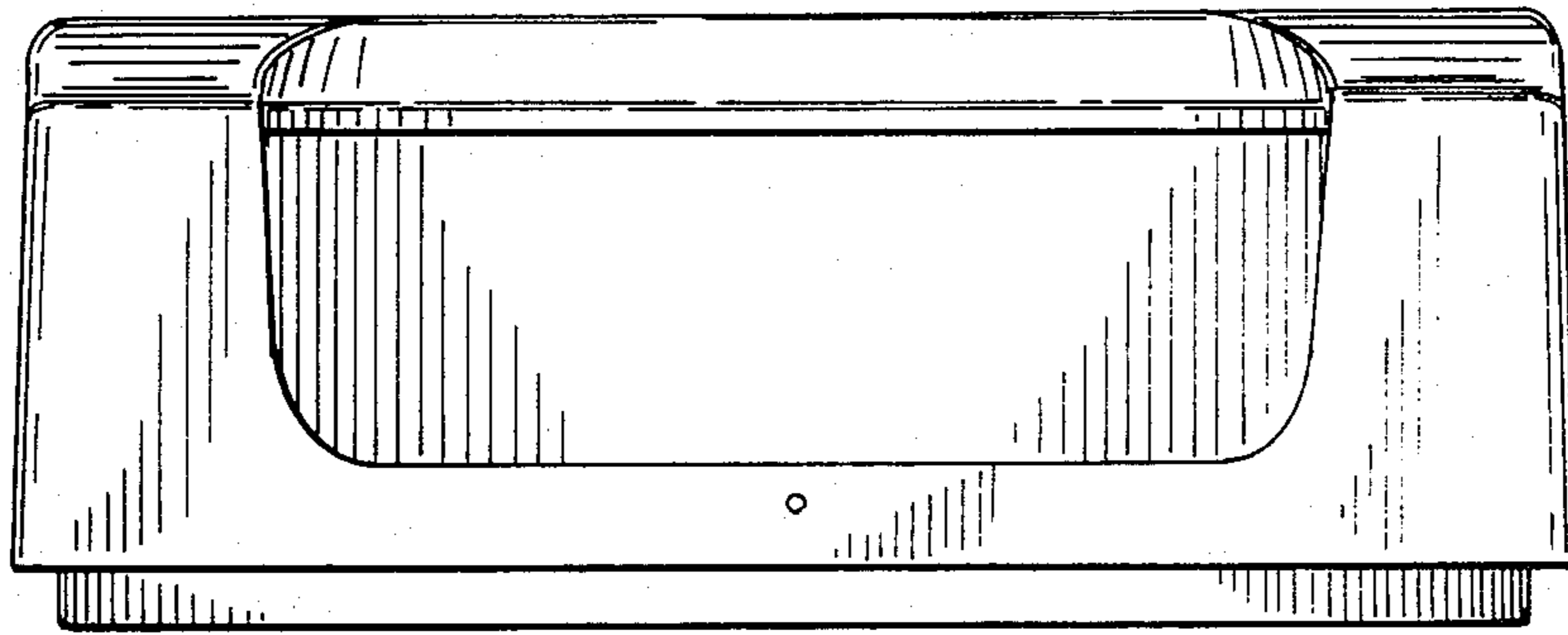


FIG. 3

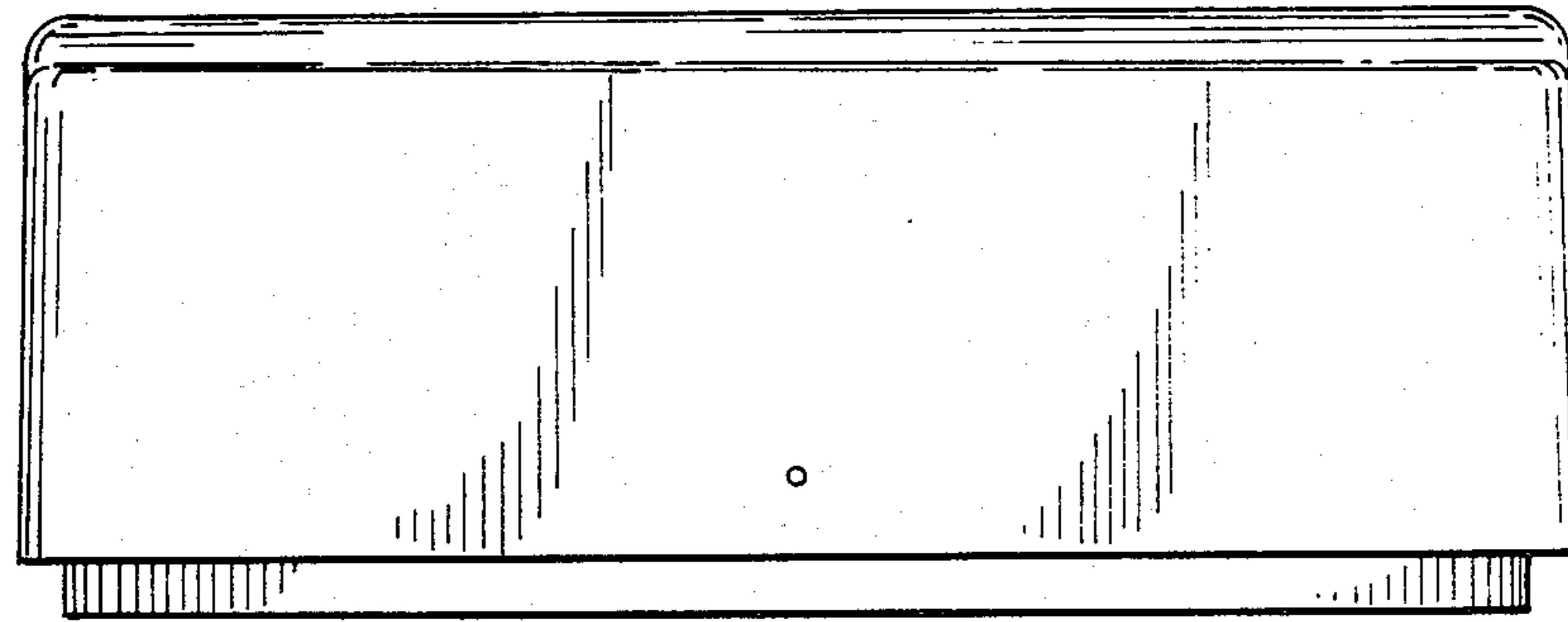
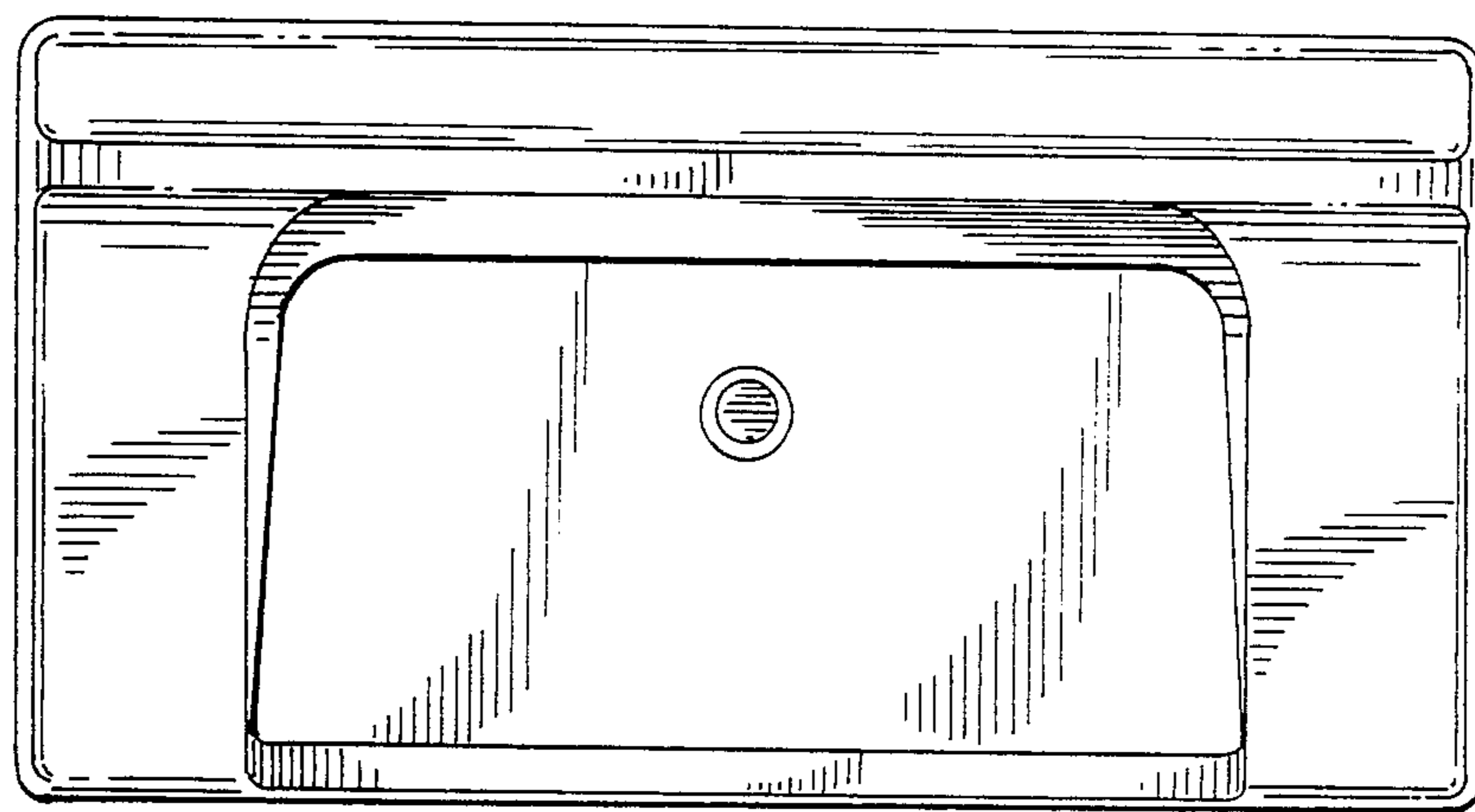
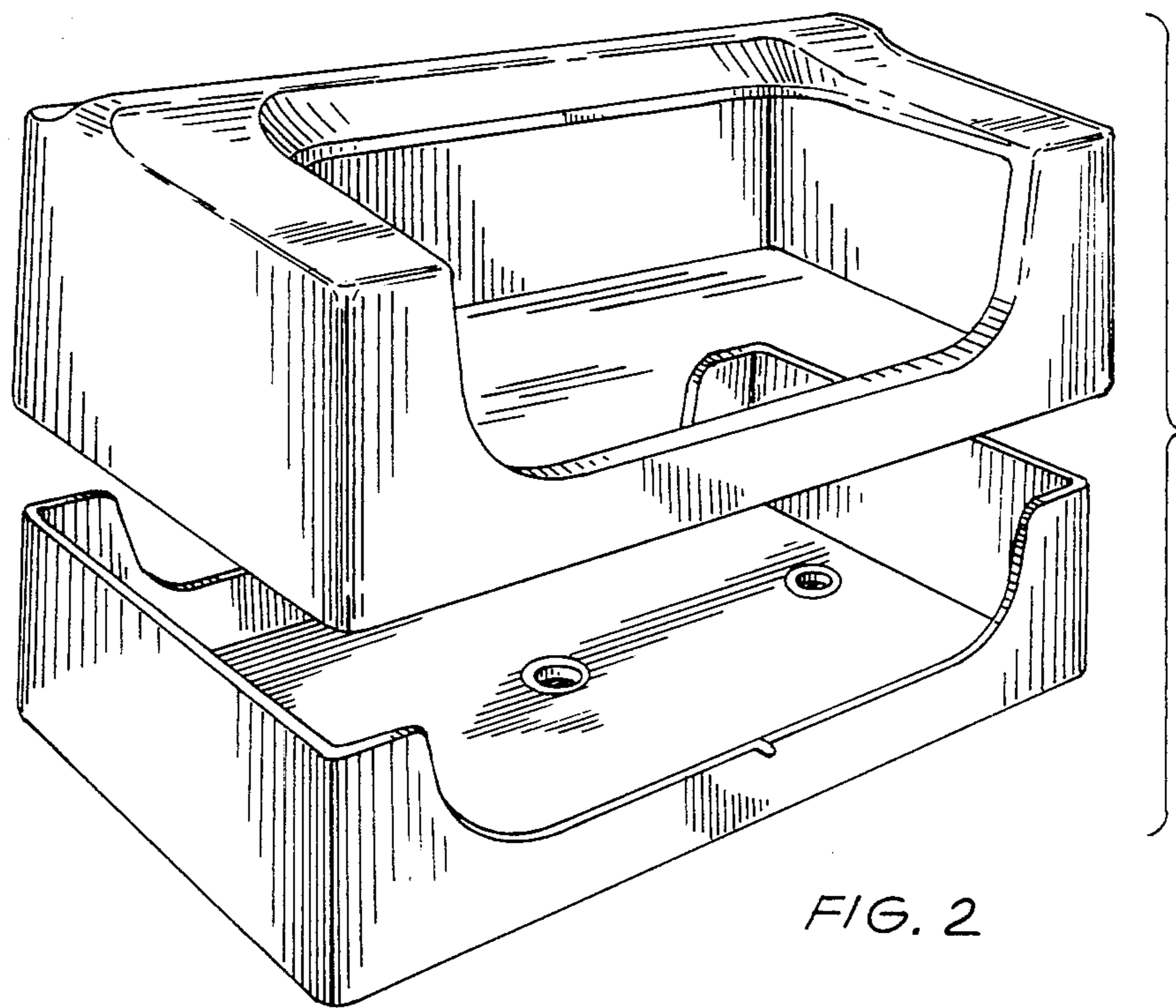


FIG. 4



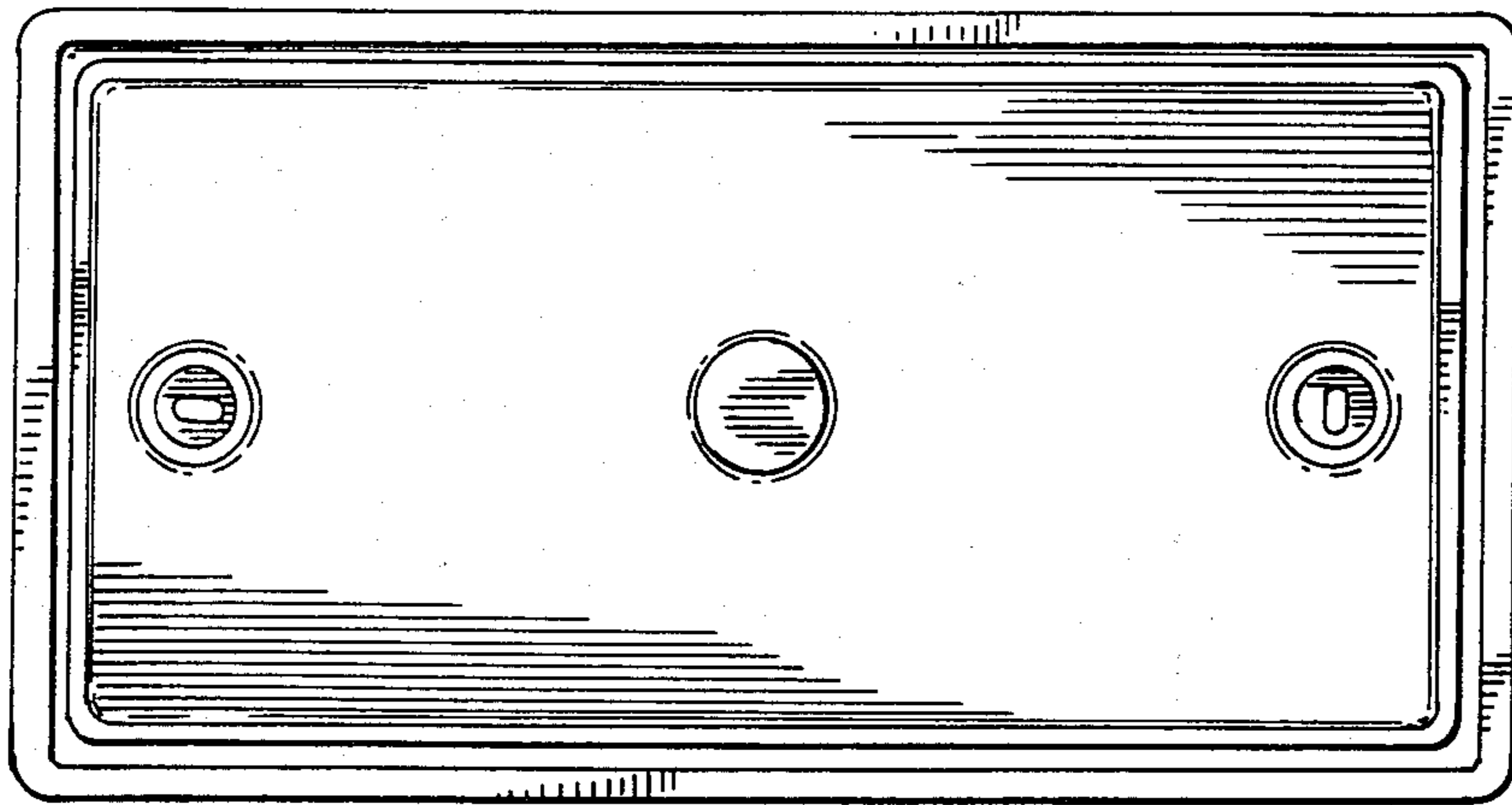


FIG. 6

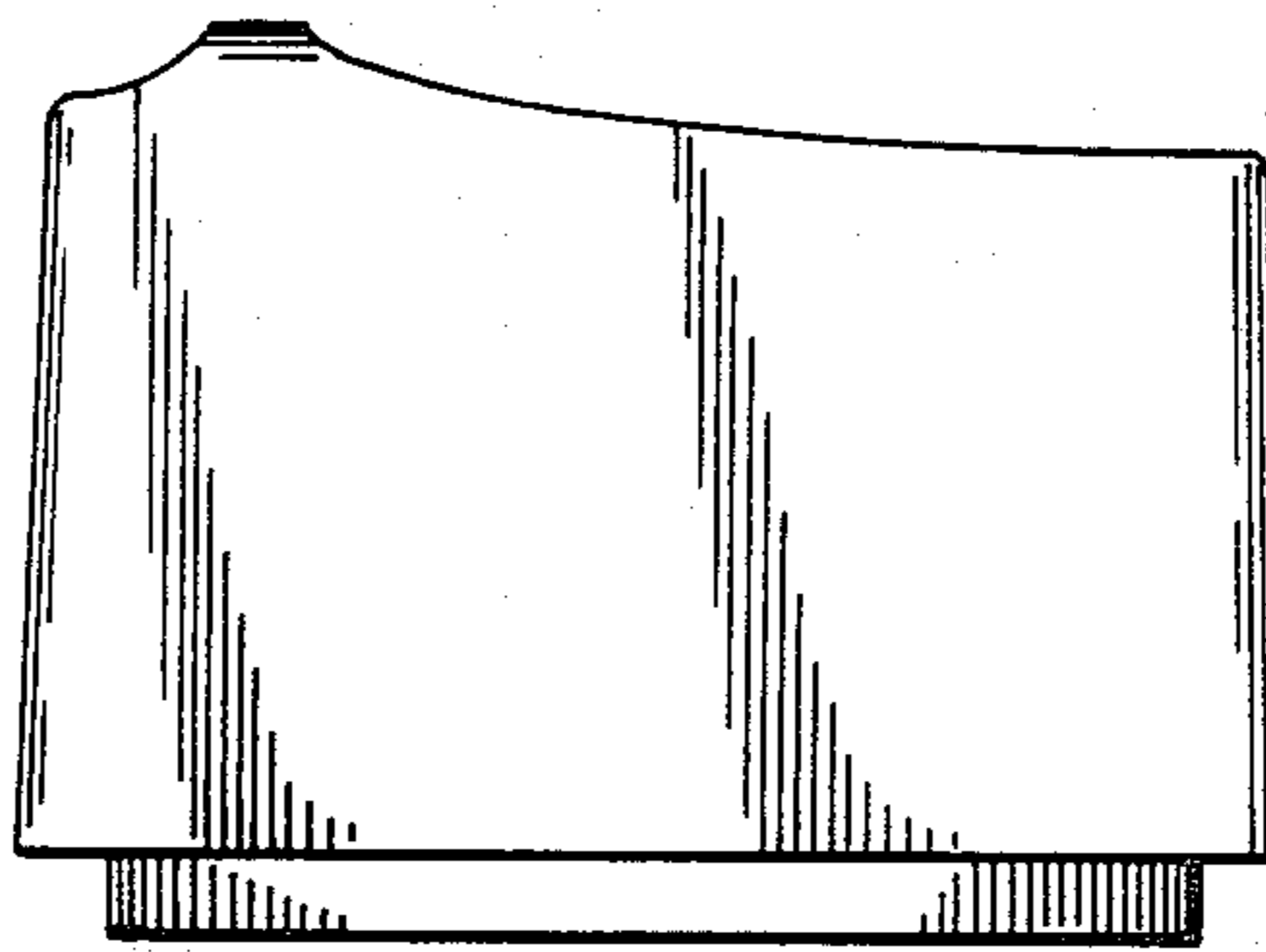


FIG. 7

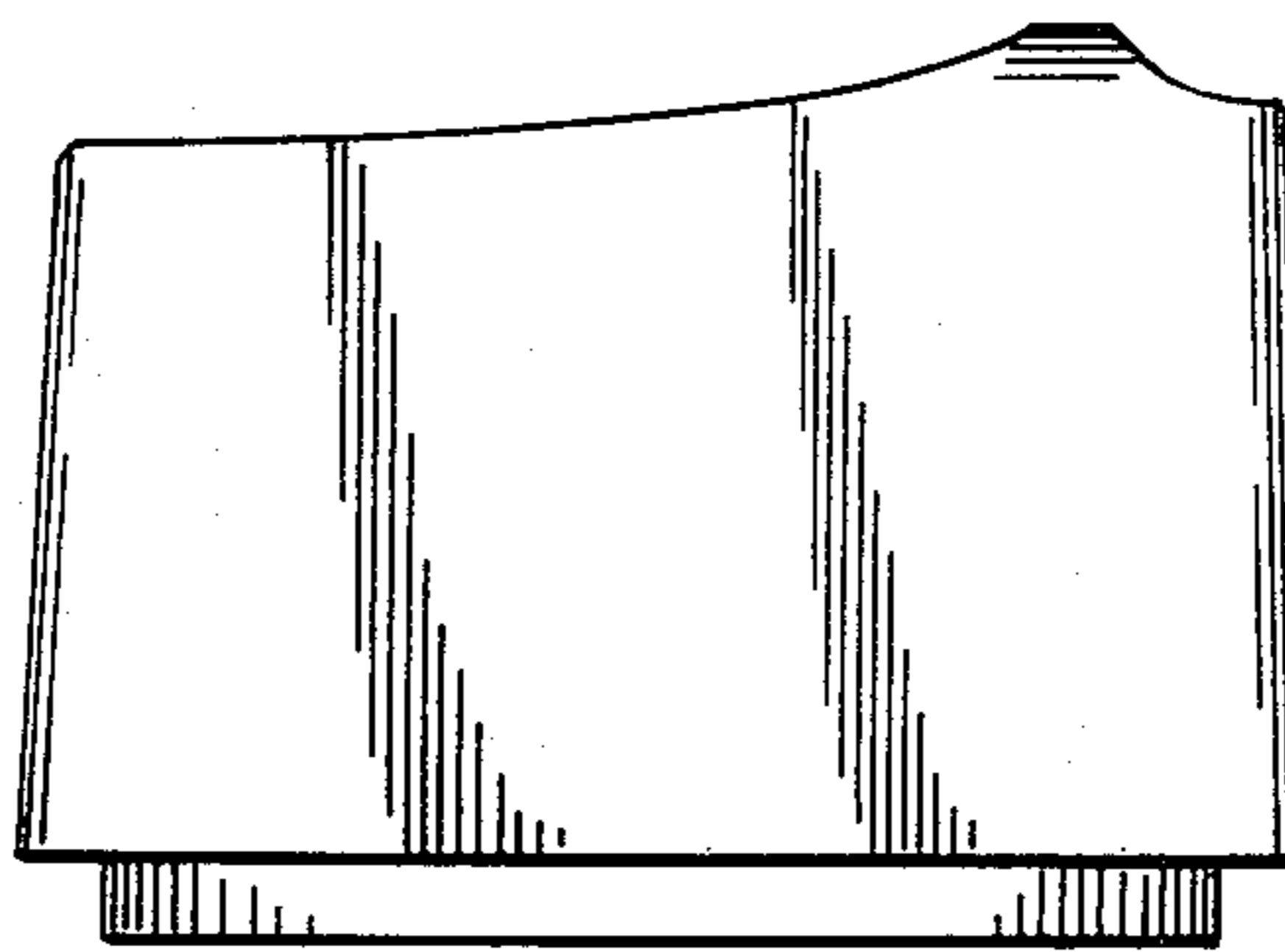


FIG. 8