

[54] **ROCKER**

4,371,206 2/1983 Johnson, Jr. 297/183

[76] Inventor: **Mark J. Strang**, 1209 Sonoma,
Carson City, Nev. 89701

Primary Examiner—Bruce W. Dunkins
Attorney, Agent, or Firm—Allan M. Shapiro

[**] Term: **14 Years**

[57] **CLAIM**

[21] Appl. No.: **475,616**

The ornamental design for a rocker, substantially as shown.

[22] Filed: **Mar. 15, 1983**

[52] U.S. Cl. **D6/348**

[58] Field of Search D6/334, 335, 336, 340,
D6/344, 345, 346, 348; 297/183

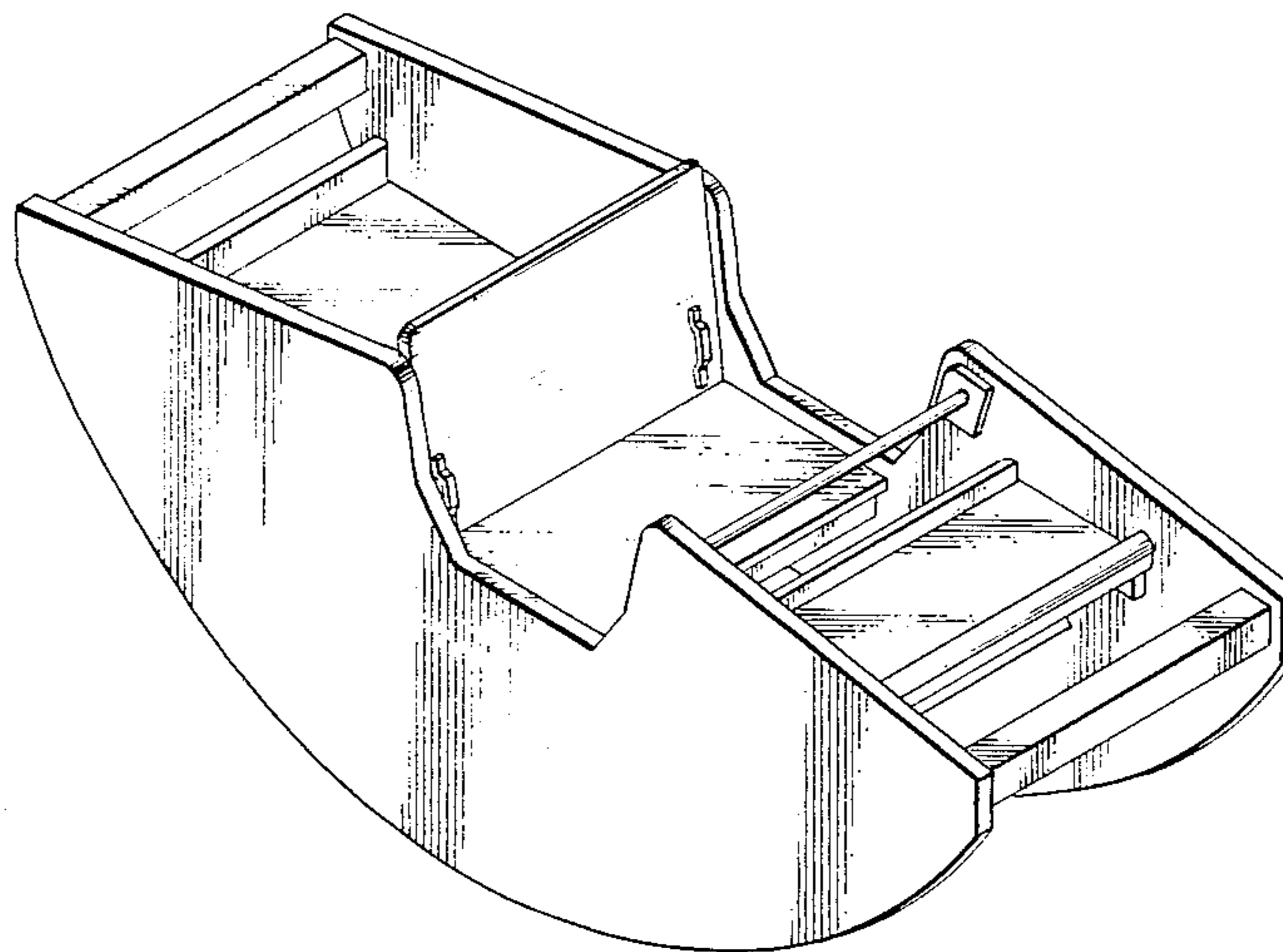
DESCRIPTION

[56] **References Cited**

U.S. PATENT DOCUMENTS

D. 136.165 8/1943 Reach D6/348
D. 222.907 2/1972 Rymes D6/348 X
D. 234.652 4/1975 Schug D6/348 X
2,553.670 5/1951 Notto 297/183 X

FIG. 1 is a perspective view of a rocker as seen from the front, top and right side, showing my new design; FIG. 2 is an elevational view from the left side thereof; FIG. 3 is a top plan view thereof; FIG. 4 is a bottom plan view thereof; FIG. 5 is a sectional view, partly in elevation, as seen along line 5—5 in FIG. 6; FIG. 6 is a rear end elevational view thereof; and FIG. 7 is a front end elevational view thereof.



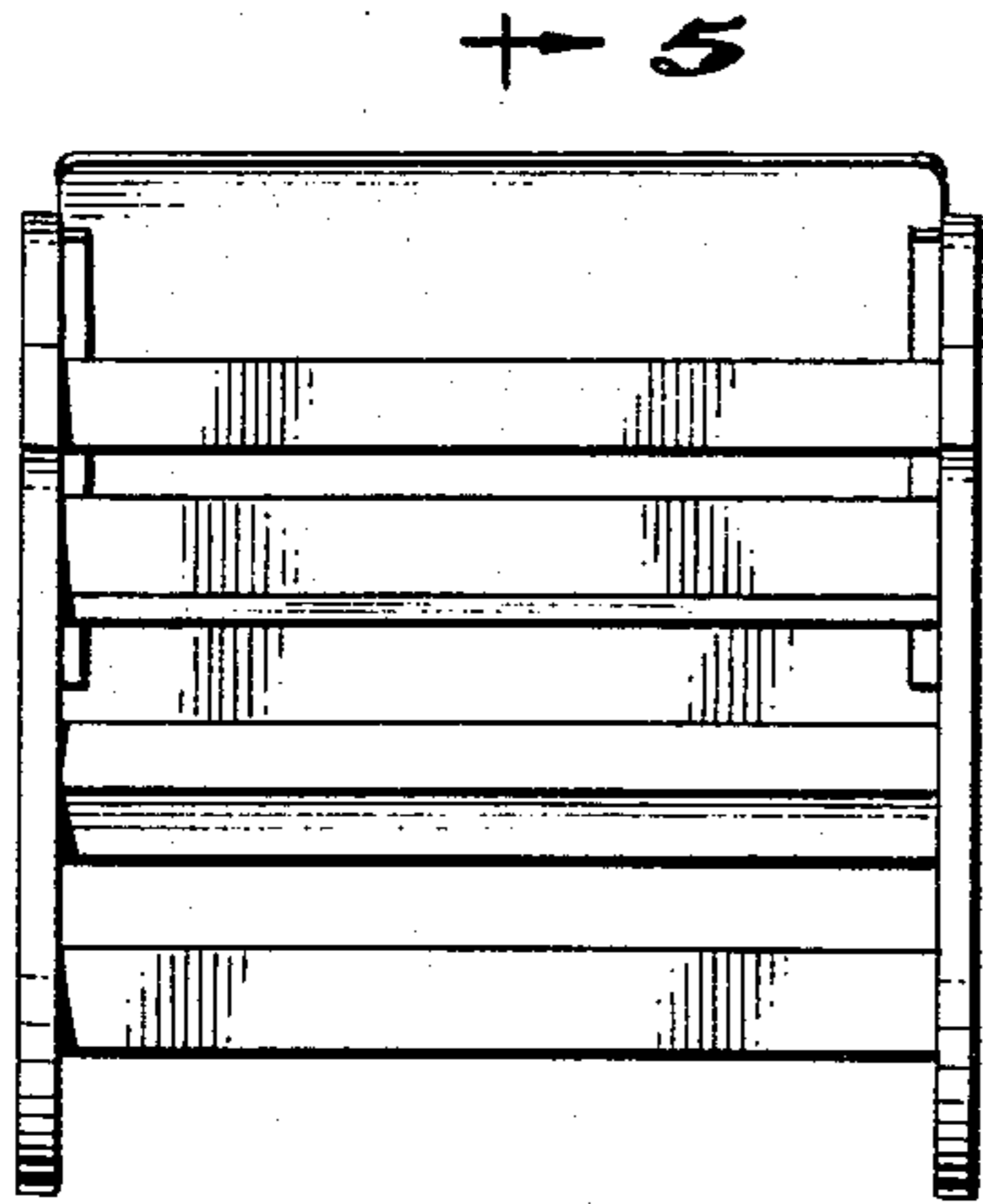


FIG. 6

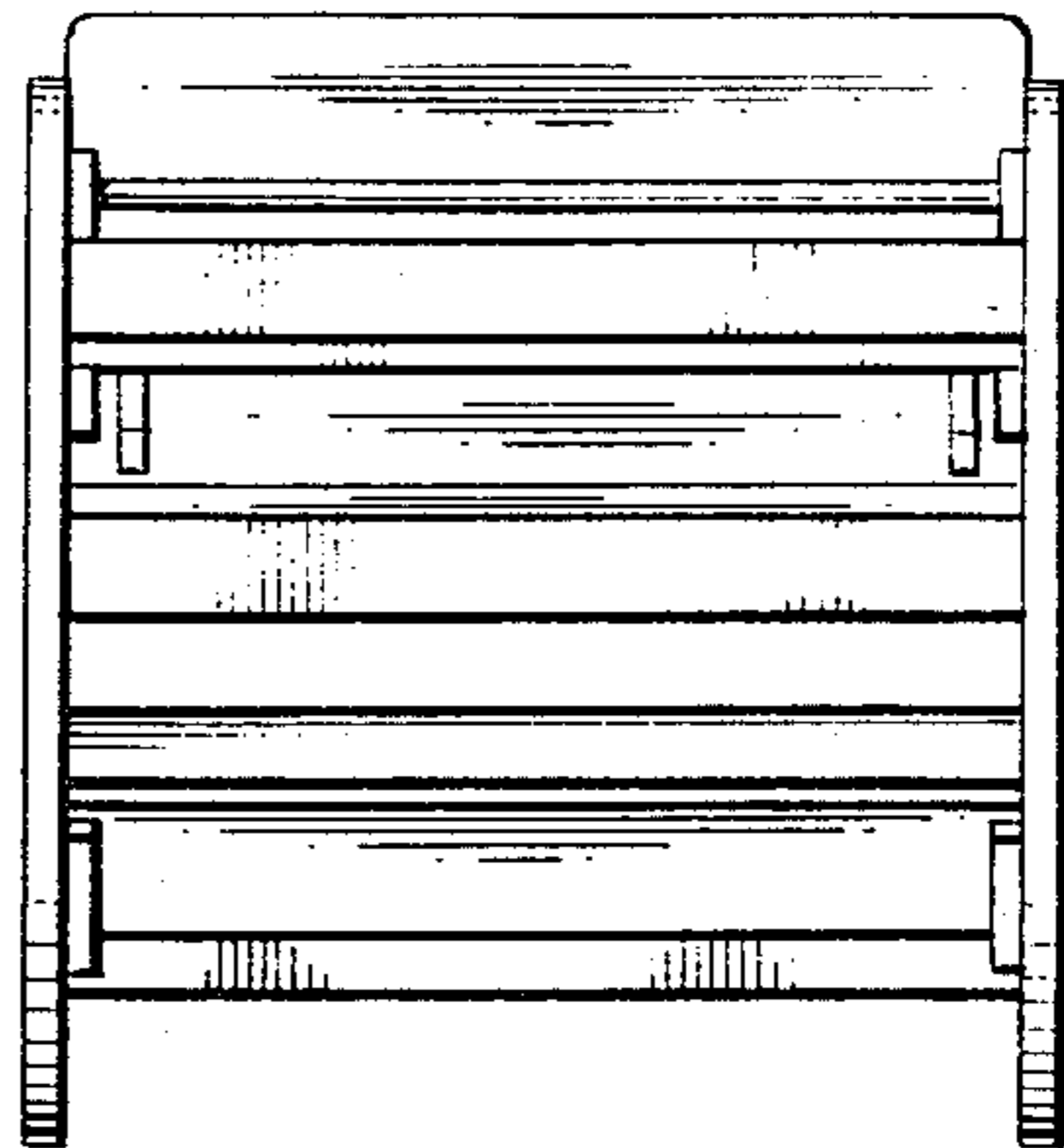


FIG. 7

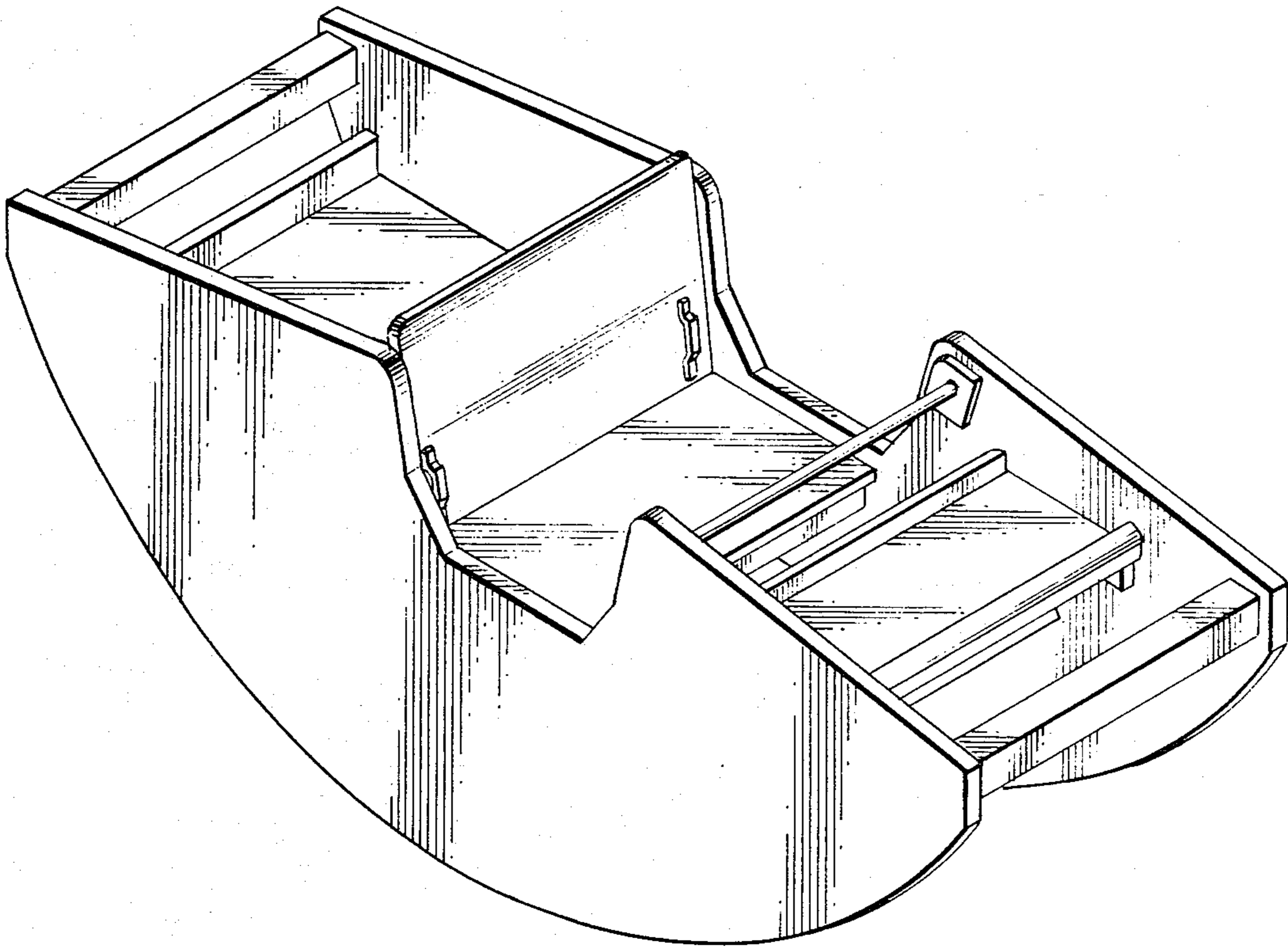


FIG. 1

FIG. 2

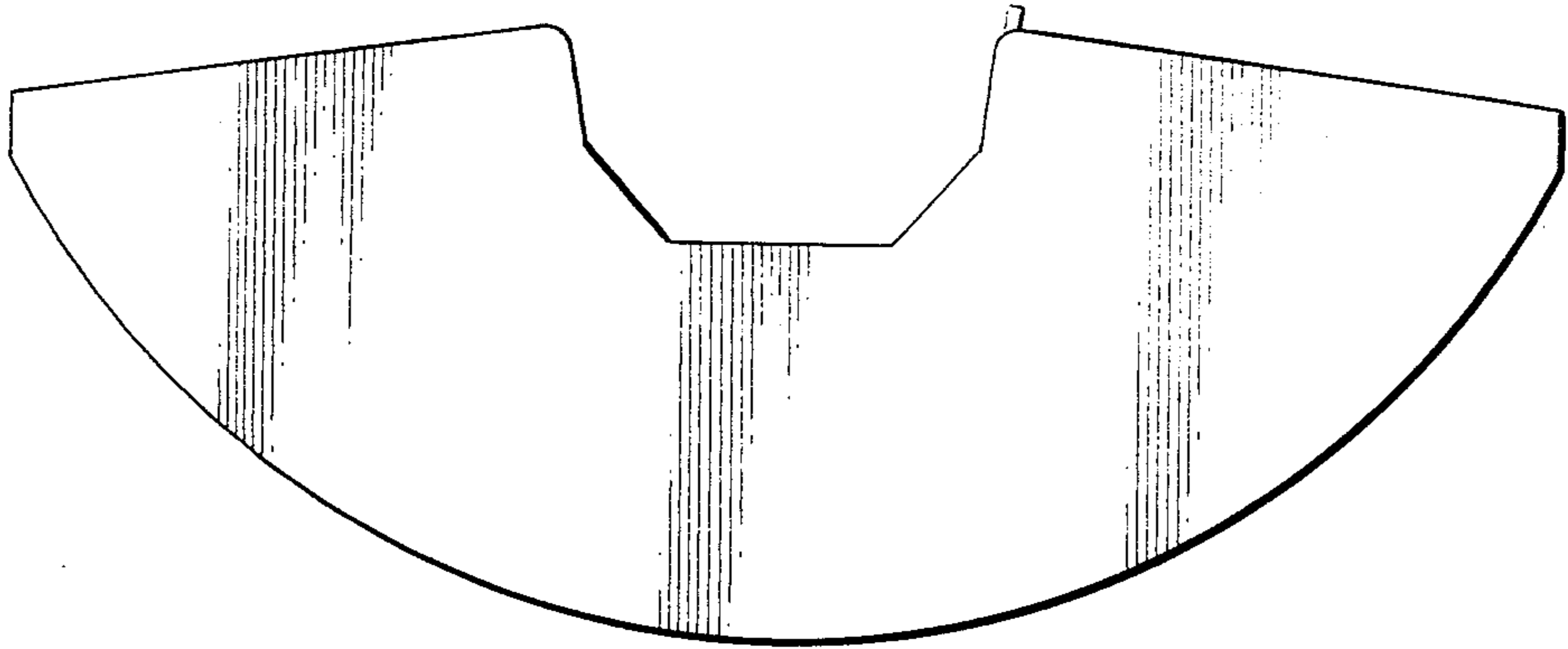


FIG. 3

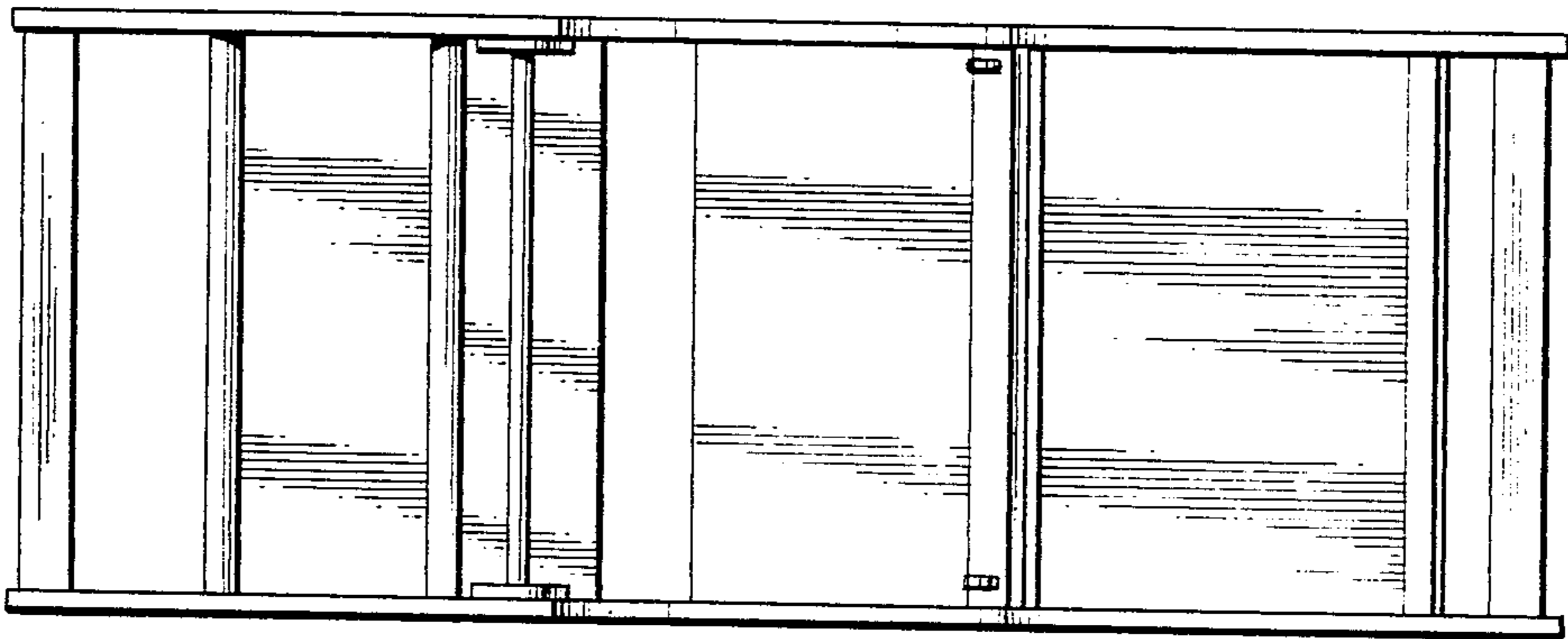


FIG. 4

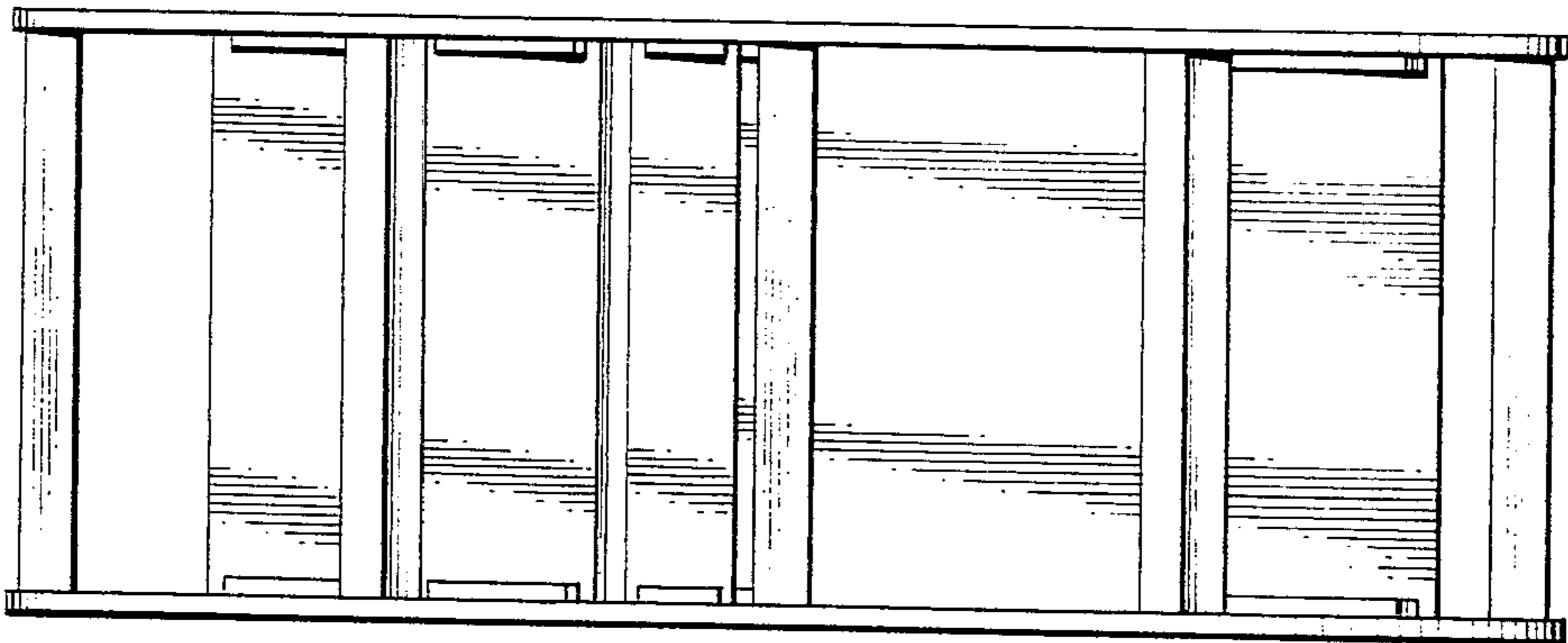


FIG. 5

