

[54] TABLE

[75] Inventors: Ettore Sottsass; Michele De Lucchi, both of Milan, Italy

[73] Assignee: Olivetti Synthesis, S.p.A., Ivrea, Italy

[**] Term: 14 Years

[21] Appl. No.: 456,771

[22] Filed: Jan. 10, 1983

[30] Foreign Application Priority Data

Jul. 8, 1982 [IT] Italy 53486/82[U]

[52] U.S. Cl. D6/487

[58] Field of Search D6/146-149, D6/175, 177-179

[56] References Cited

PUBLICATIONS

Domus, Mar. 1981, p. 45, Table top left.

Domus, Nov. 1975, p. 36, Table at right center. Interiors, May 1973, p. 144, Table in panel 33.

Primary Examiner—Bruce W. Dunkins
Attorney, Agent, or Firm—Banner, Birch, McKie & Beckett

[57] CLAIM

The ornamental design for table, substantially as shown and described.

DESCRIPTION

FIG. 1 is a top perspective view of a table showing my design; and

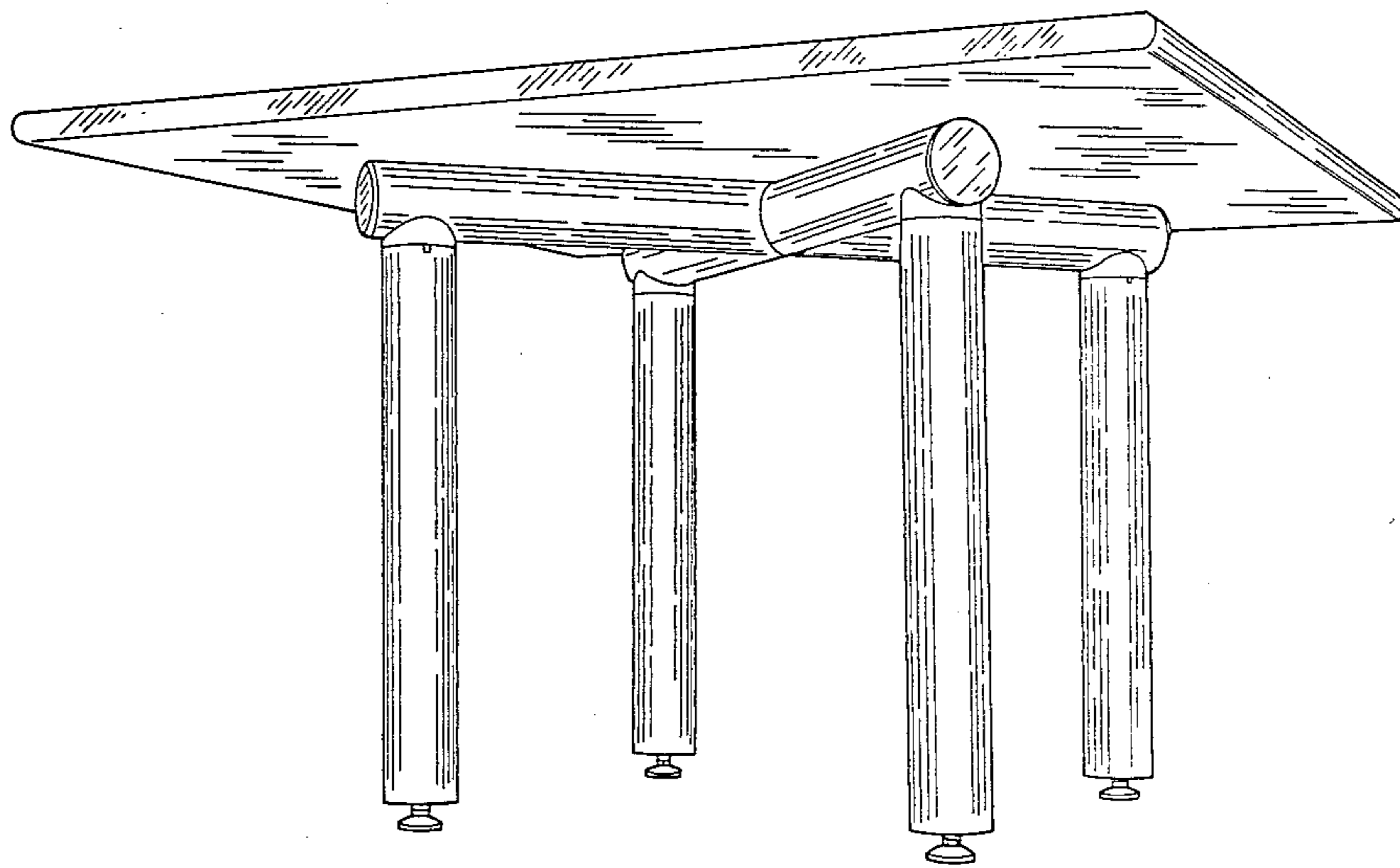
FIG. 2 is a bottom perspective view thereof;

FIG. 3 is a top perspective view of a second embodiment of the table shown in FIG. 1; and

FIG. 4 is a bottom perspective view thereof;

FIG. 5 is a top perspective view showing a third embodiment of the table of FIG. 1; and

FIG. 6 is a bottom perspective view thereof.



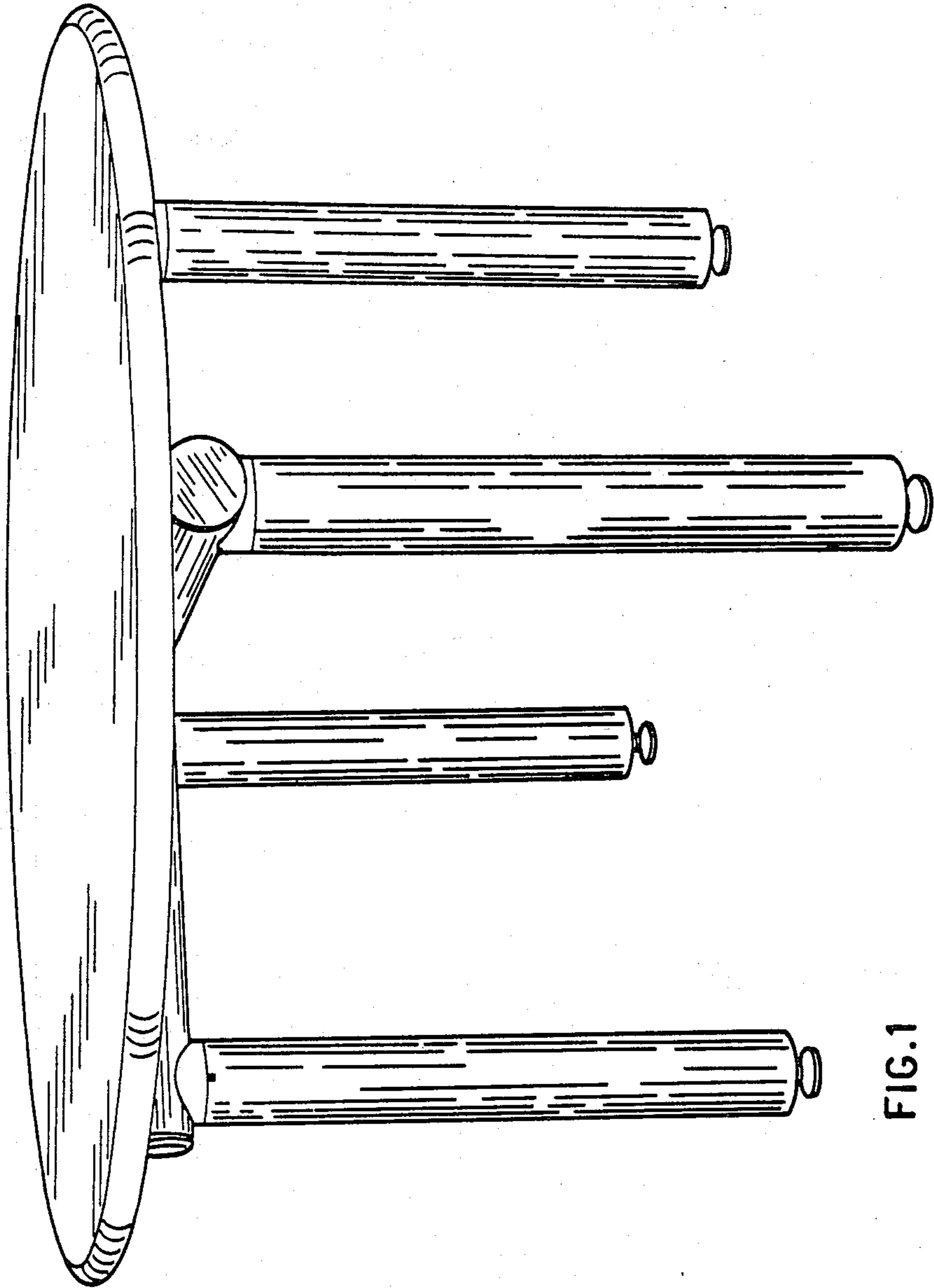


FIG.1

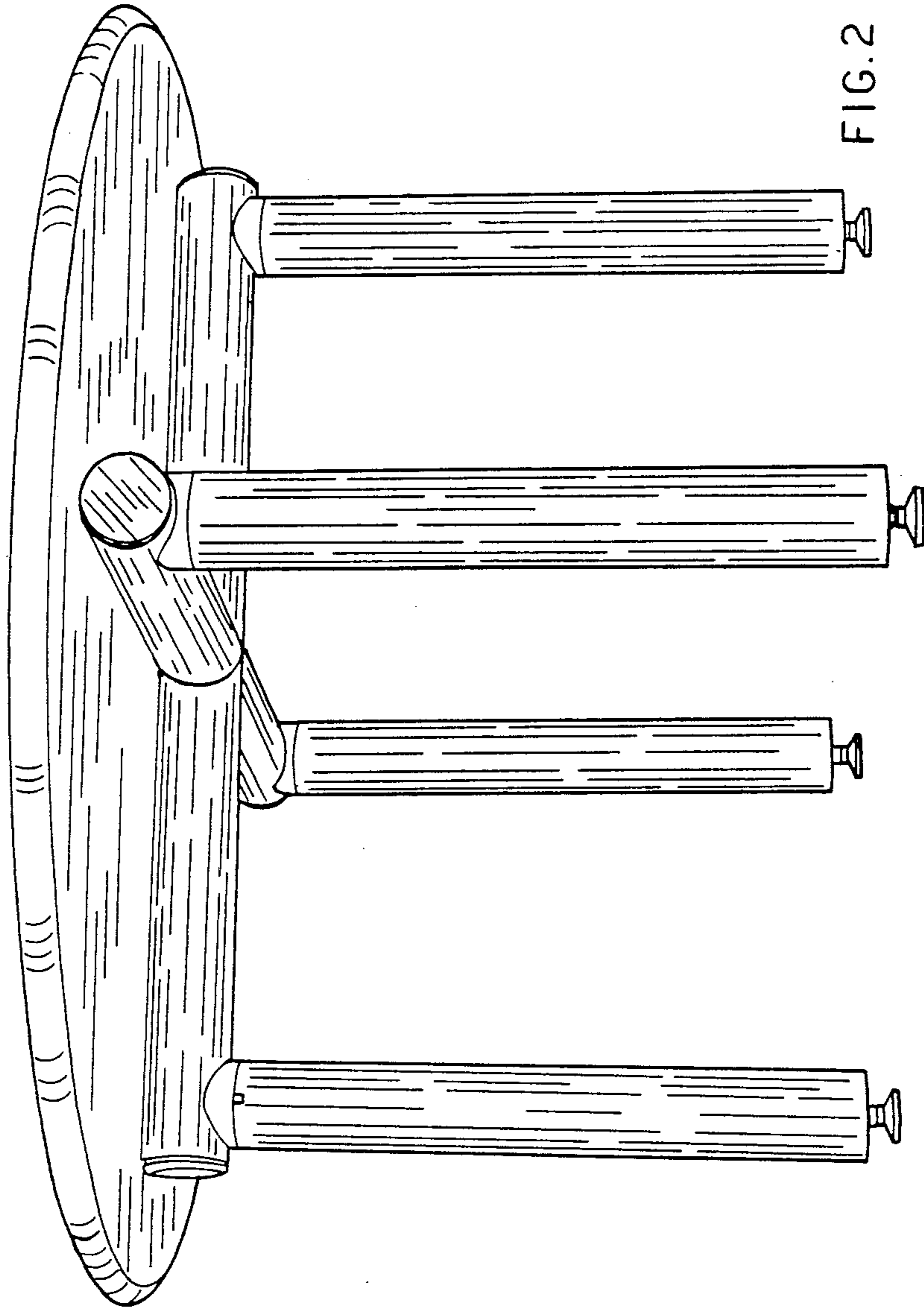


FIG. 2

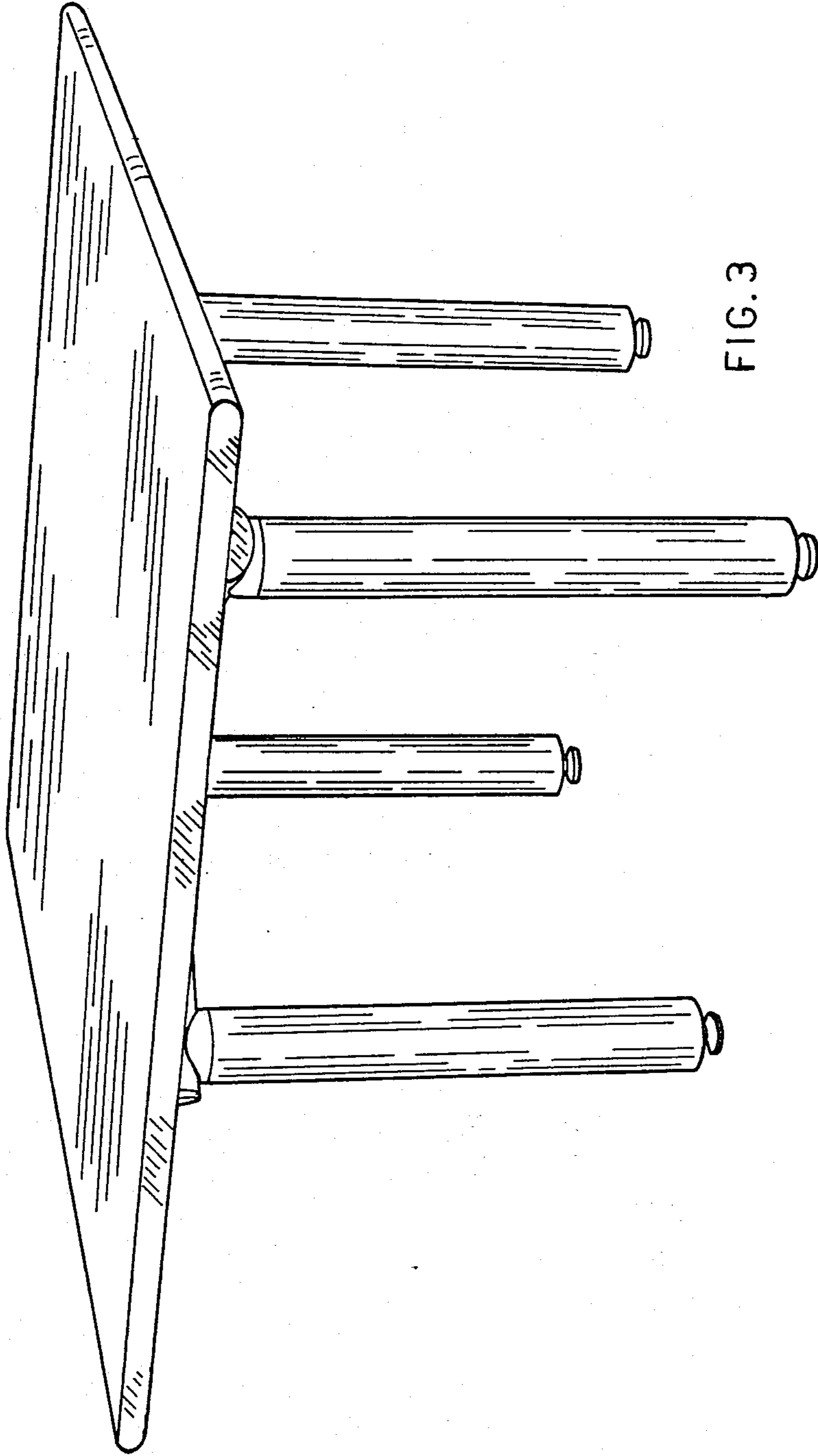


FIG. 3

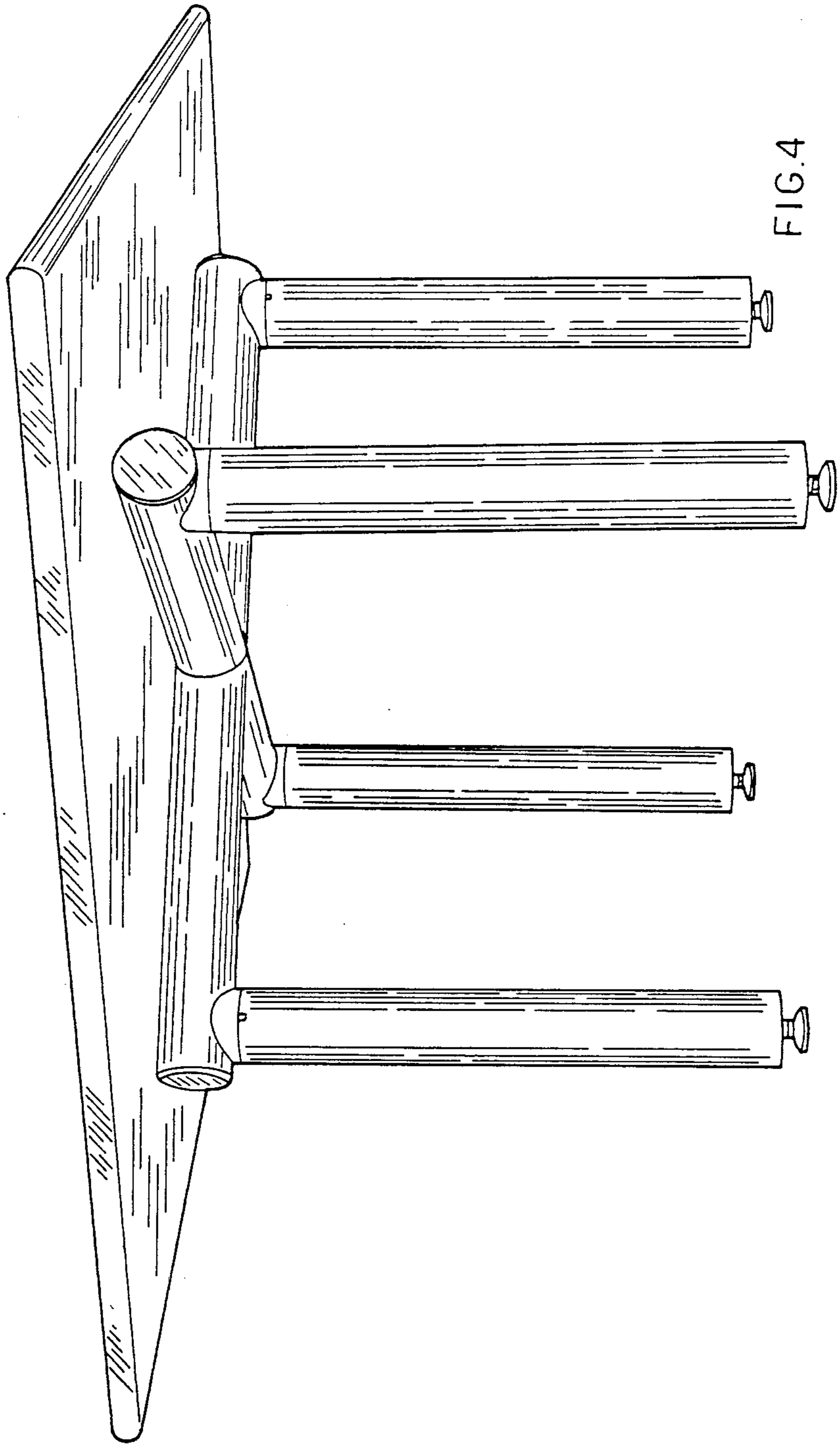


FIG.4

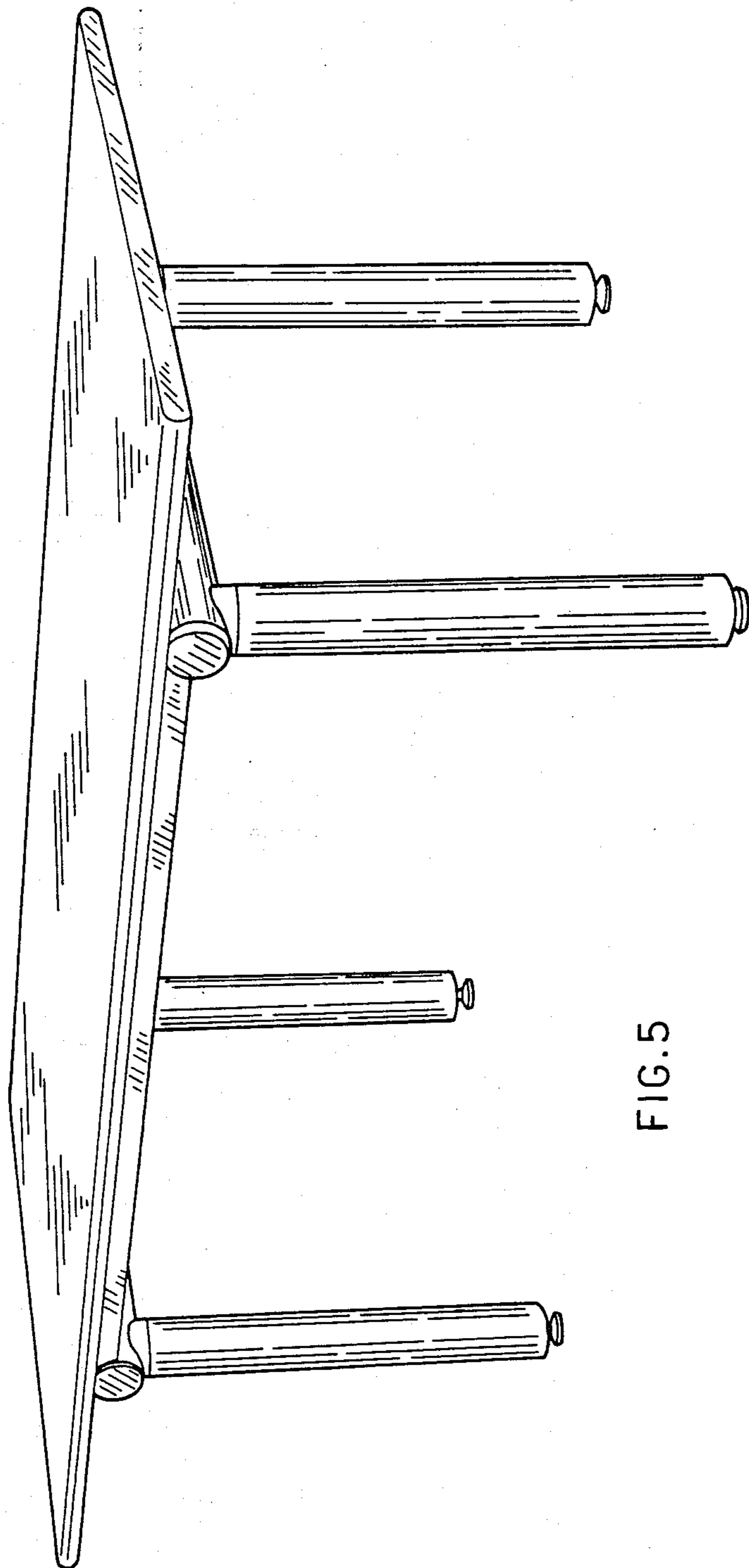


FIG. 5

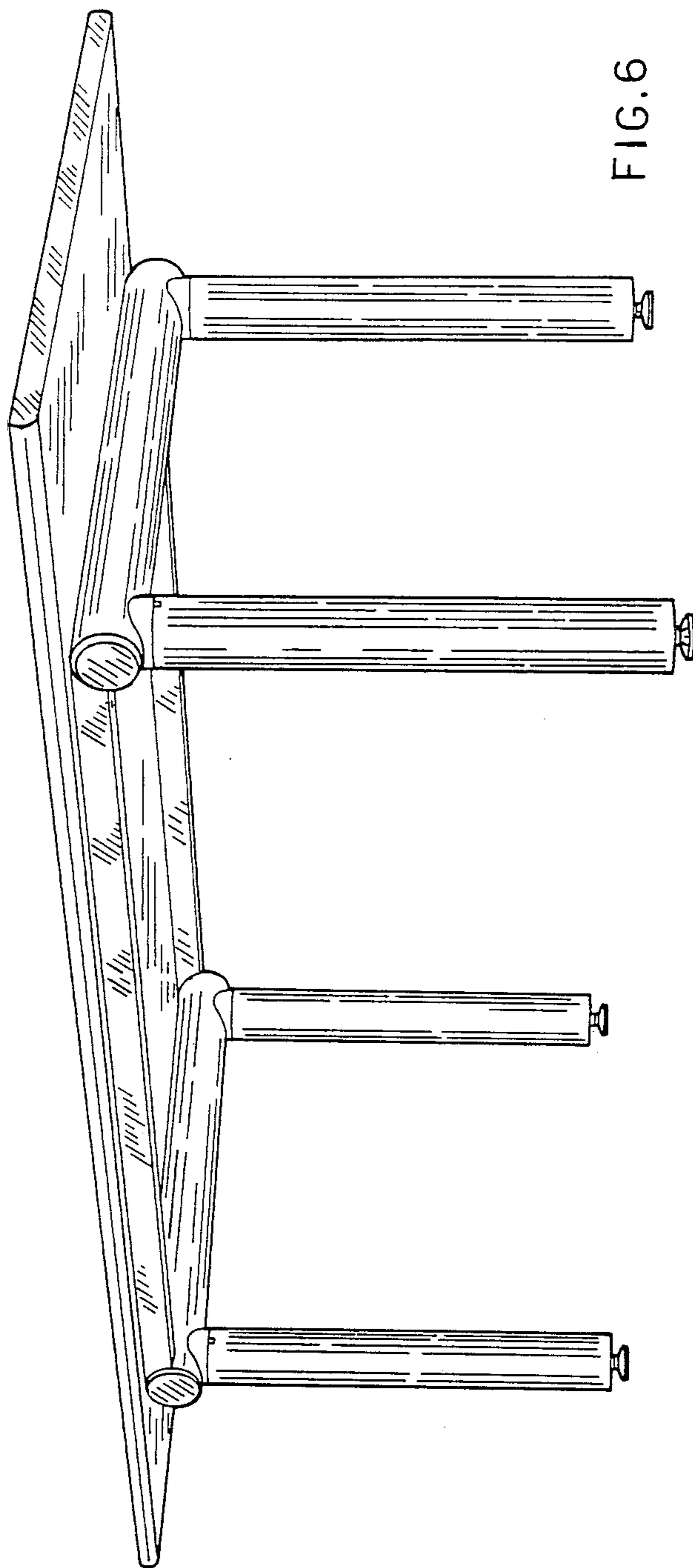


FIG. 6