

[54] **CHAIR**

[76] **Inventor: Charles Lowrey, 770 Park Ave, New York, N.Y. 10021**

[**] **Term: 14 Years**

[21] **Appl. No.: 457,238**

[22] **Filed: Jan. 11, 1983**

[52] **U.S. Cl. D6/372**

[58] **Field of Search D6/47-78**

[56] **References Cited**

U.S. PATENT DOCUMENTS

D. 244,647	6/1977	Offredi	D6/372
D. 244,812	6/1977	Buhk	D6/372
D. 249,839	10/1978	Gageby	D6/372
D. 250,072	10/1978	Fong	D6/372
D. 258,179	2/1981	Baker	D6/348
D. 262,502	1/1982	Wilson	D6/372

Primary Examiner—Bruce W. Dunkins
Attorney, Agent, or Firm—Frishauf, Holtz, Goodman & Woodward

[57] **CLAIM**

The ornamental design for a chair, substantially as shown and described.

DESCRIPTION

FIG. 1 is a perspective view of a chair showing my new design;

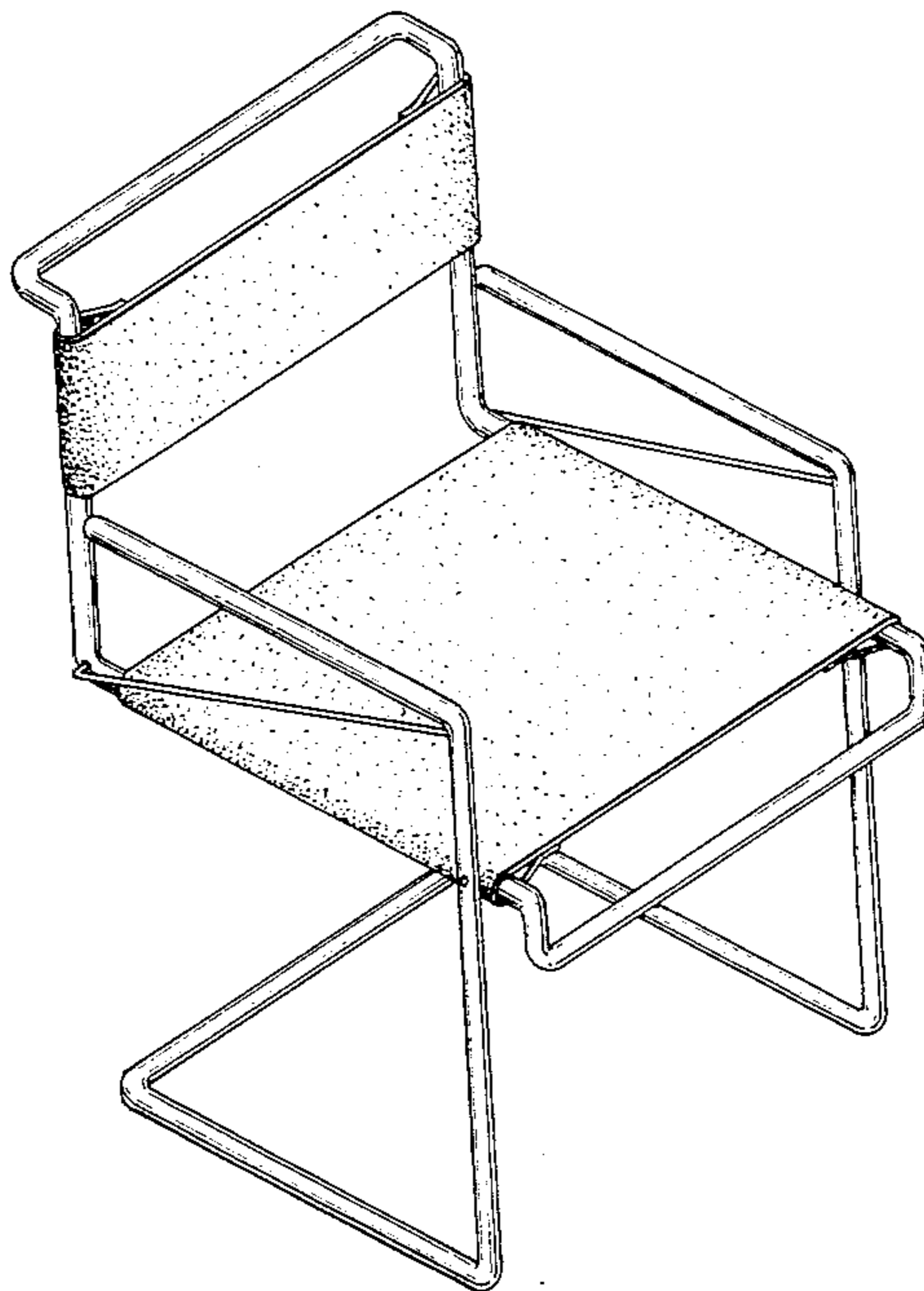
FIG. 2 is a side elevational view of one side thereof the other side elevation being essentially identical;

FIG. 3 is a front elevational view thereof;

FIG. 4 is a top plan view thereof;

FIG. 5 is a perspective view of a second embodiment of my design;

FIG. 6 is a side elevational view of the embodiment of FIG. 5; the other side elevation being essentially identical.



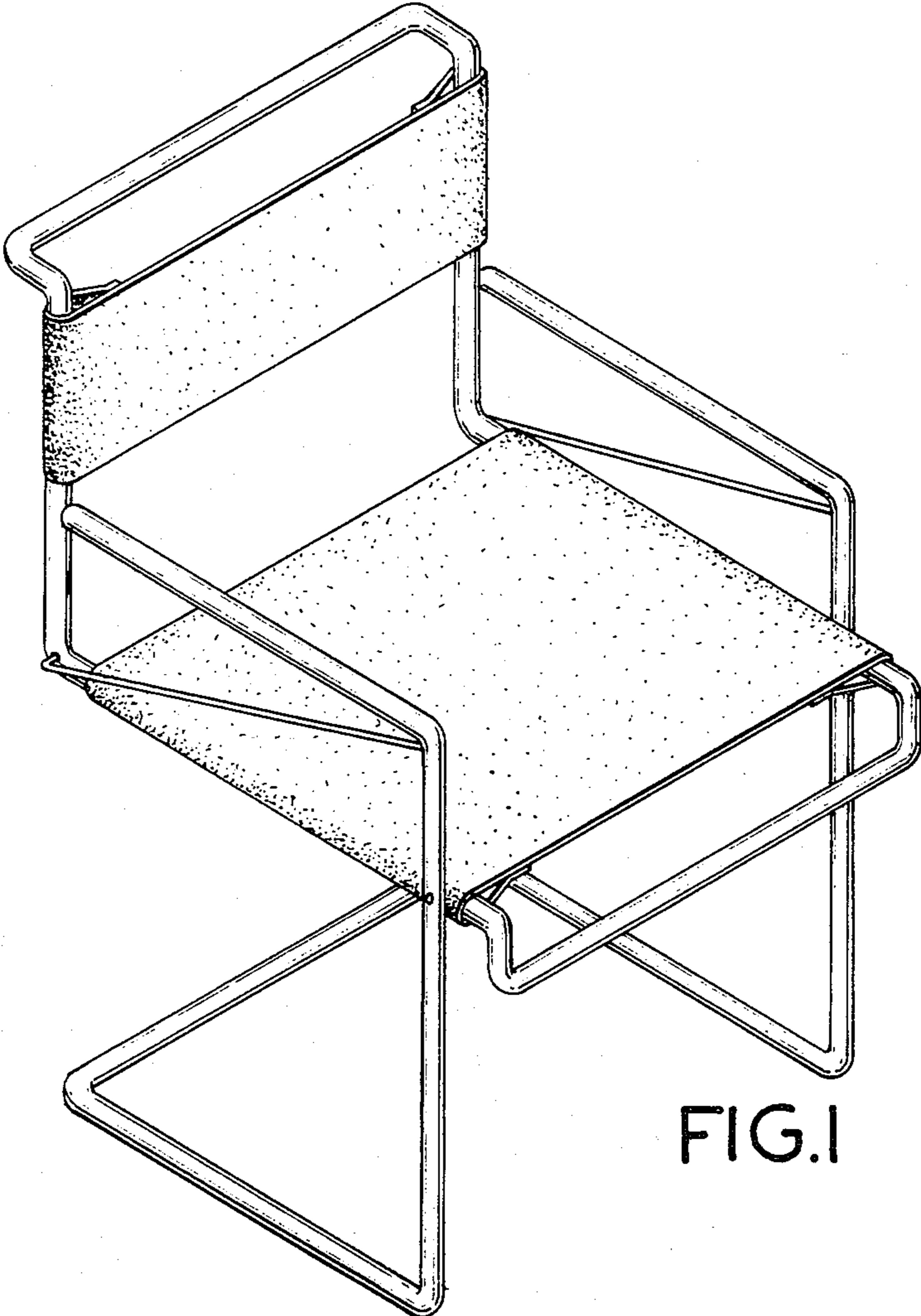


FIG. 1

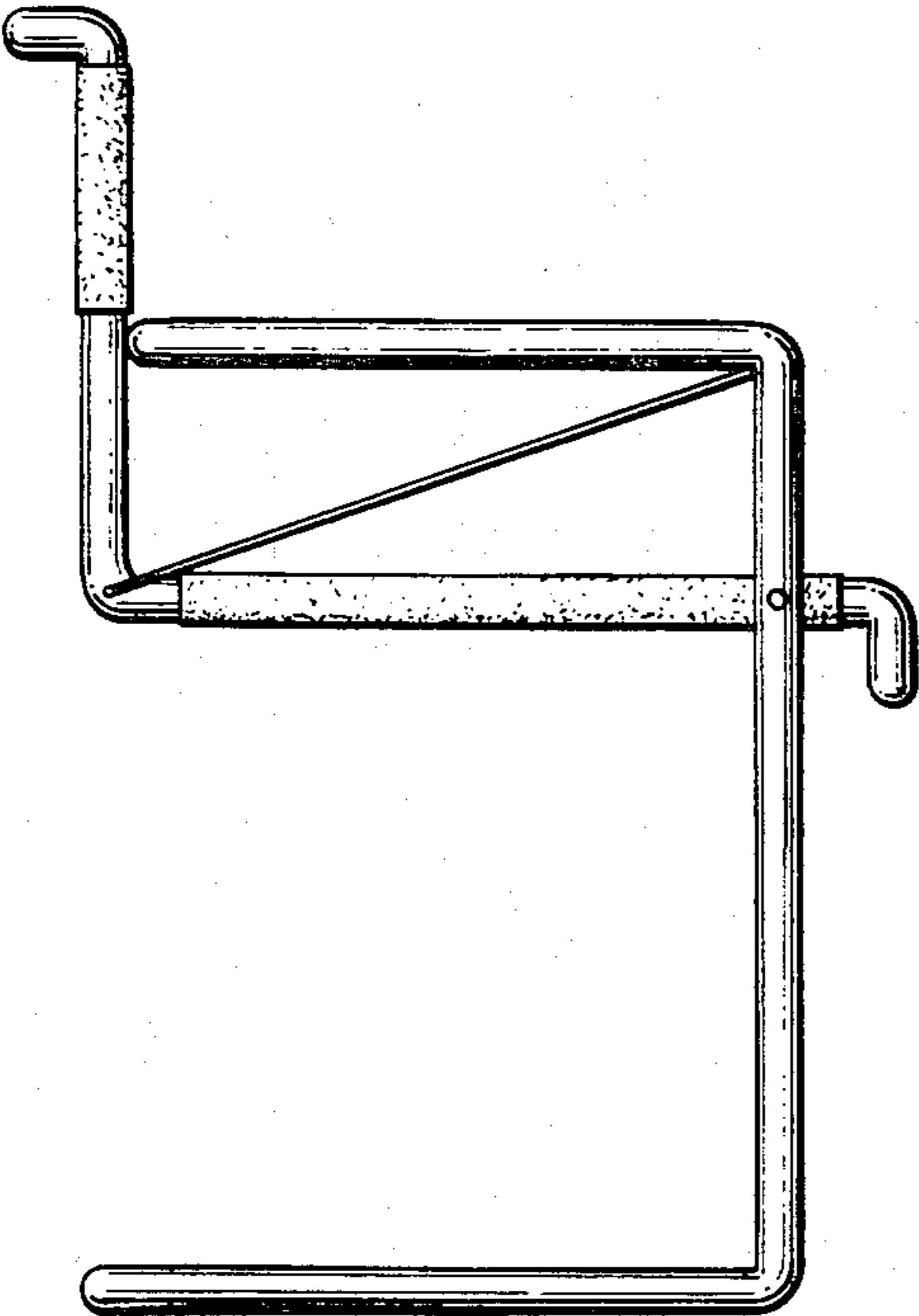


FIG. 2

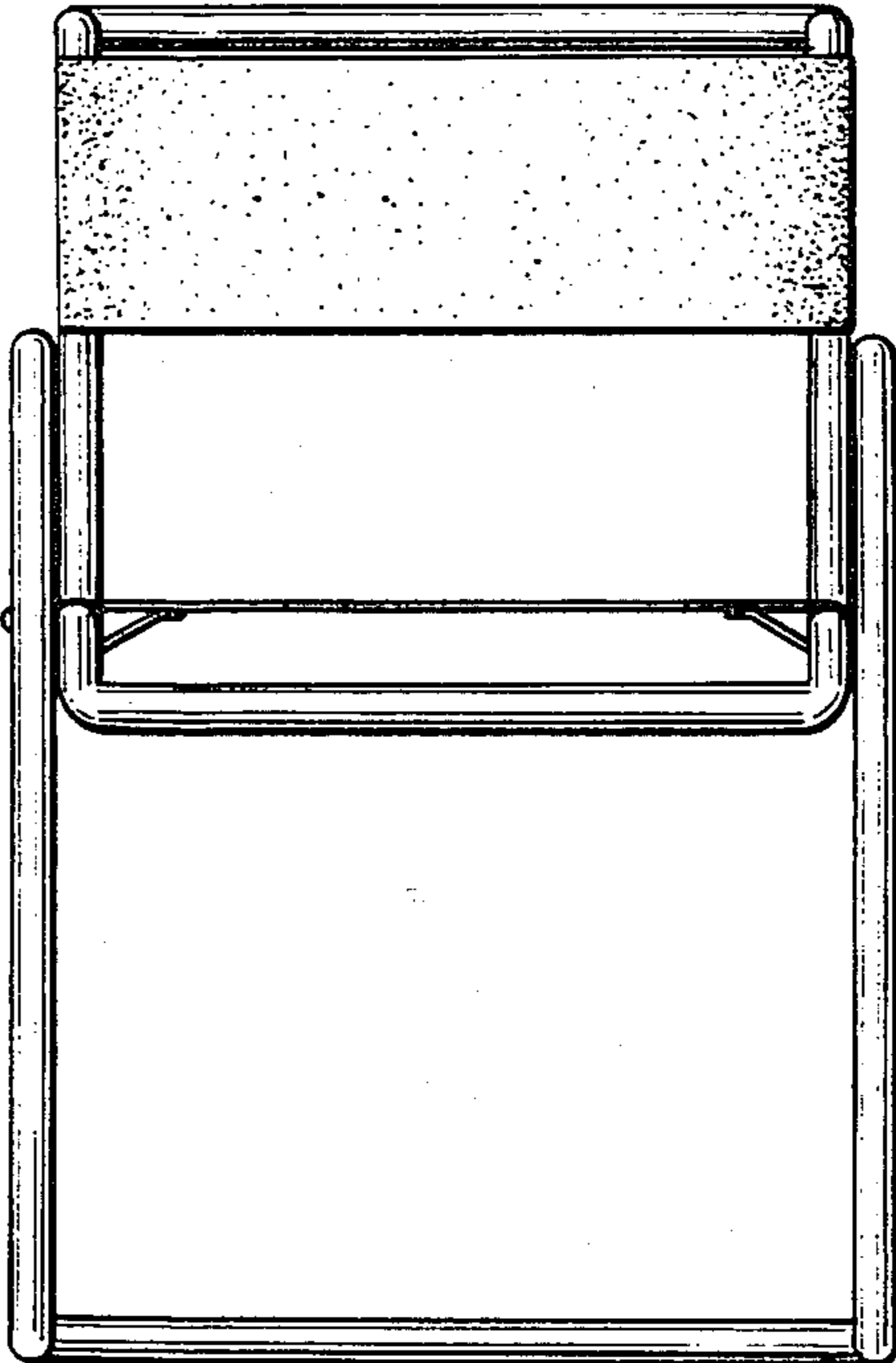


FIG. 3

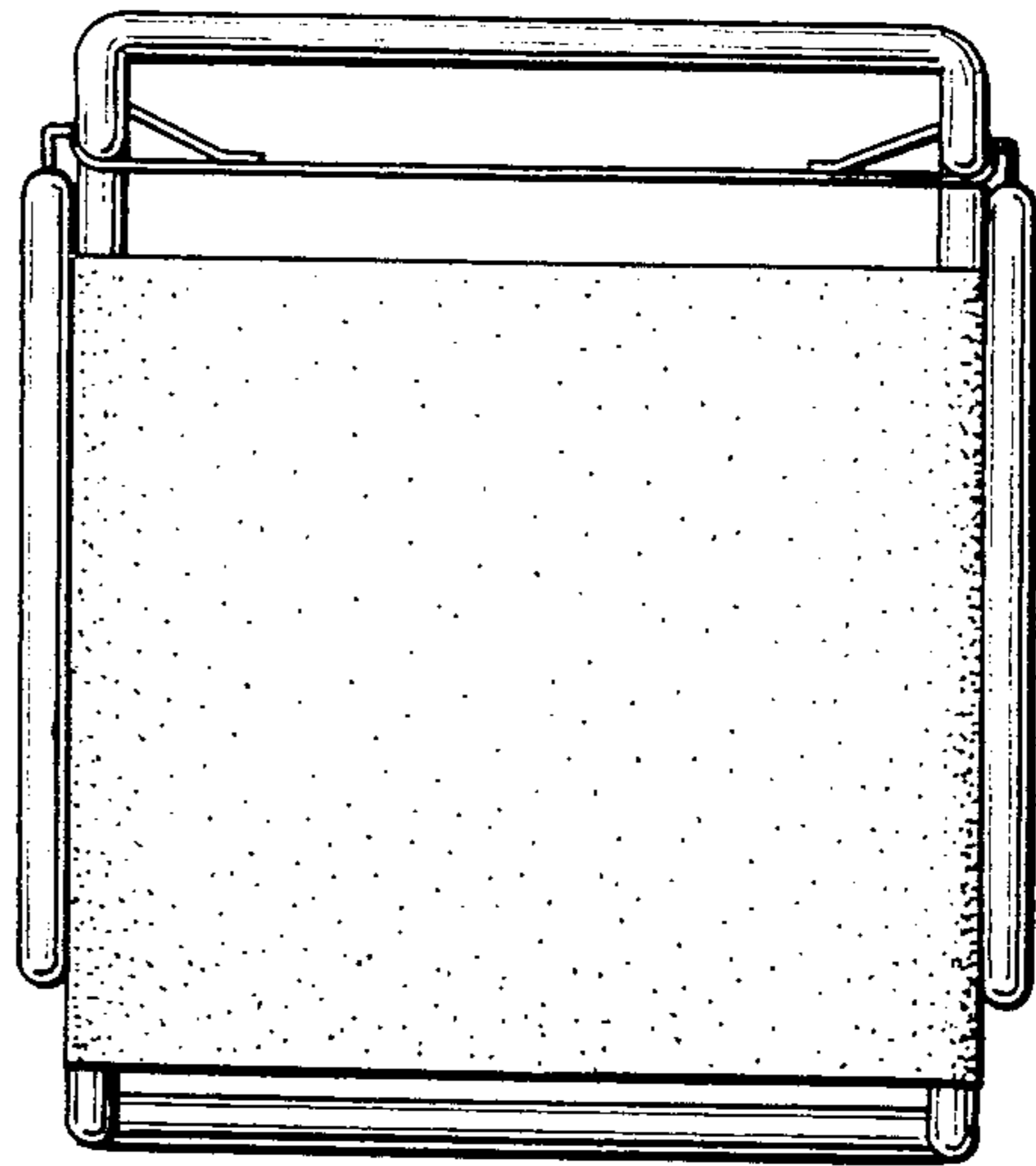


FIG. 4

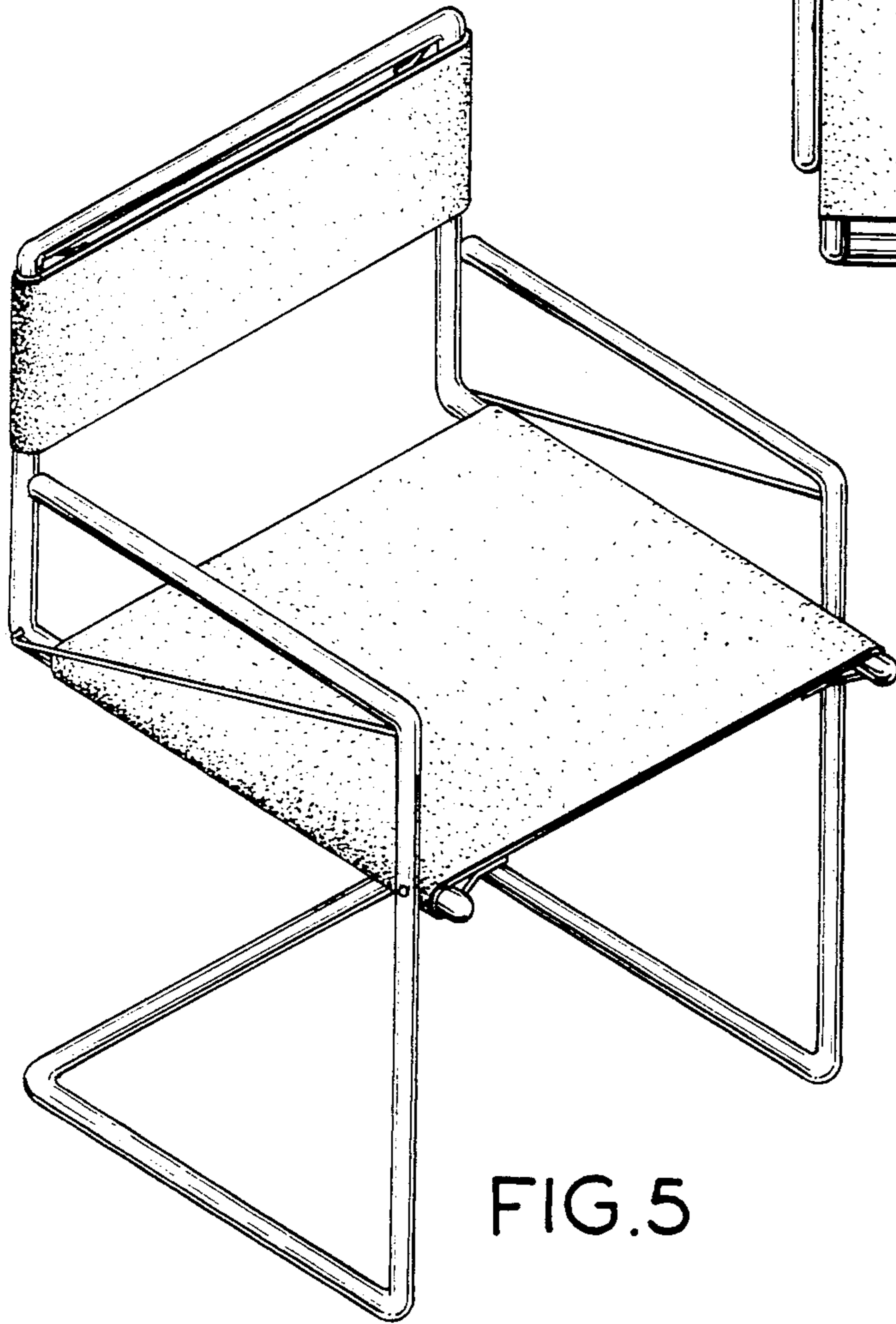


FIG. 5

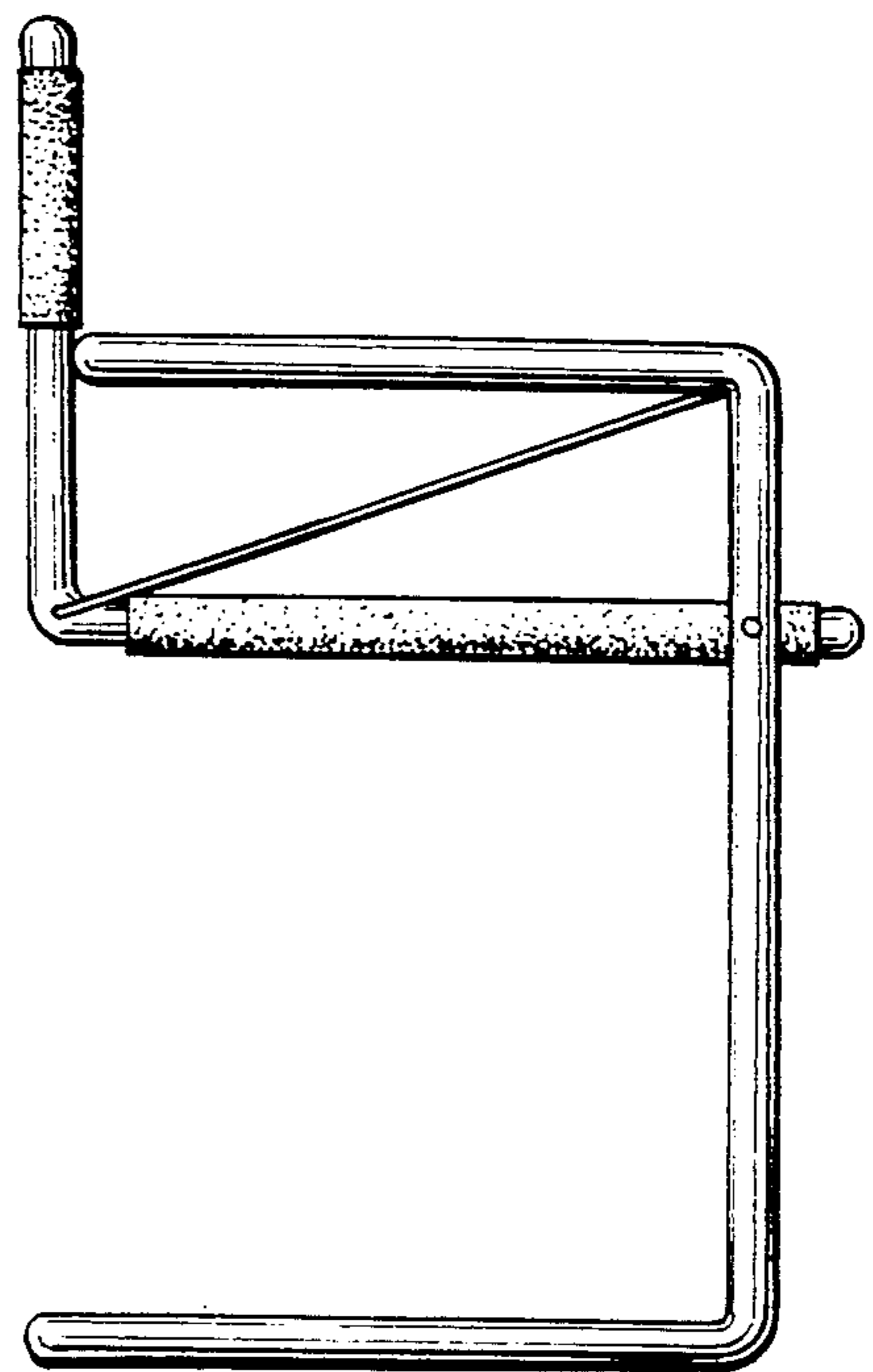


FIG. 6