

[54] EXERCISE AND FITNESS TESTING MACHINE

[75] Inventor: Heikki Kiiski, Turku, Finland
[73] Assignee: Tunturipyora Oy, Turku, Finland
[**] Term: 14 Years
[21] Appl. No.: 445,520
[22] Filed: Nov. 30, 1982

[30] Foreign Application Priority Data
Jun. 3, 1982 [FI] Finland 498/82
[52] U.S. Cl. D21/194
[58] Field of Search 272/68, 73, 116, 125,
272/126, 128, 130, 134, 135, 136; D21/191-199

[56] References Cited
U.S. PATENT DOCUMENTS
D. 191,792 11/1961 Maratta D21/195

D. 229,077 11/1973 Scalingi et al. D21/194
D. 250,284 11/1978 Borck D21/194
2,641,249 6/1953 Brockman D21/194

OTHER PUBLICATIONS

Wohnen, 7-1977, p. 167, "Dynavit" Exerciser.

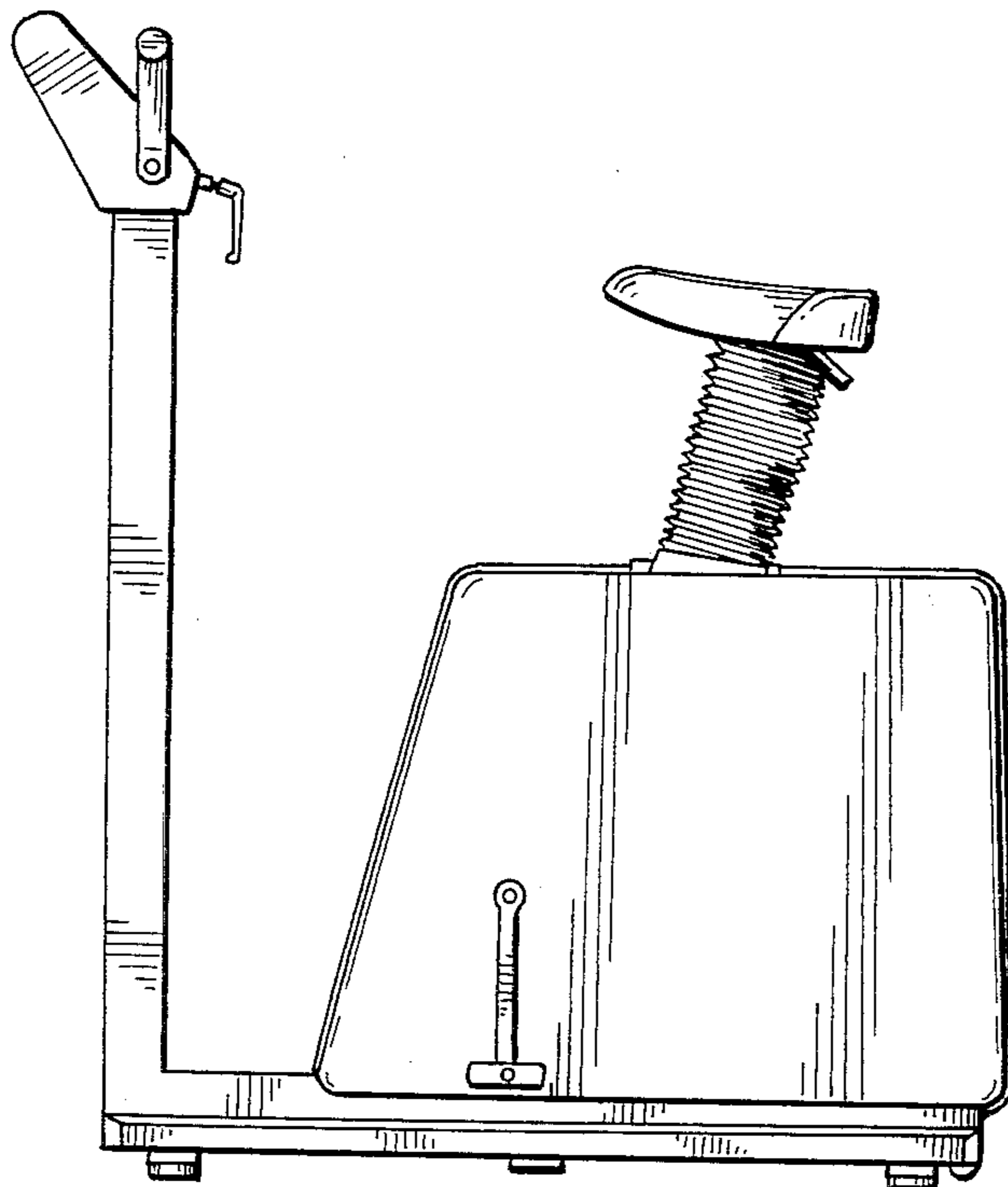
Primary Examiner—Charles A. Rademaker

[57] CLAIM

The ornamental design for exercise and fitness testing machine, as shown and described.

DESCRIPTION

FIG. 1 is a side elevational view of an exercise and fitness testing machine showing my new design, the side opposite being substantially a mirror image;
FIG. 2 is a top plan view thereof;
FIG. 3 is a bottom plan view thereof;
FIG. 4 is a front elevational view thereof; and,
FIG. 5 is a rear elevational view thereof.



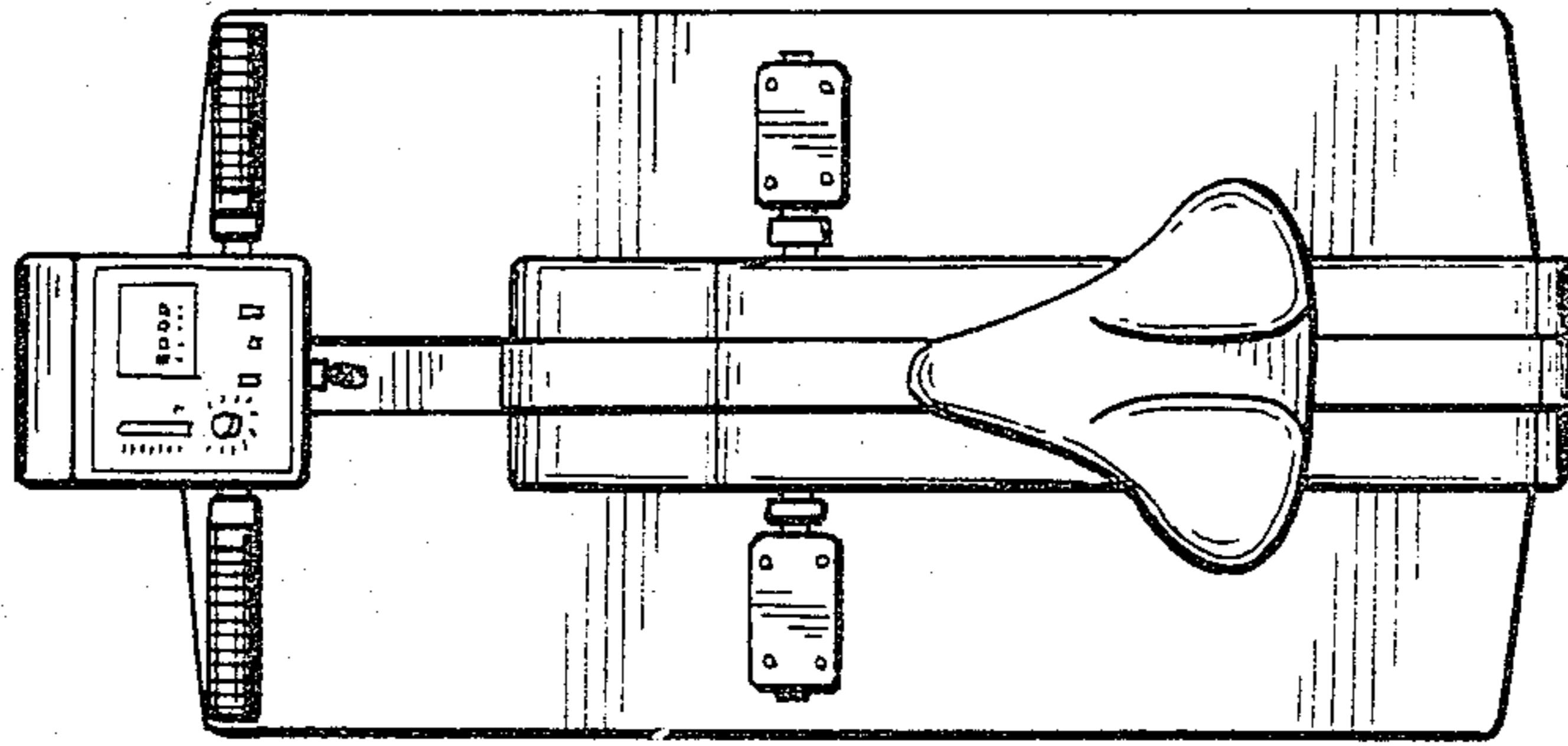


FIG. 2

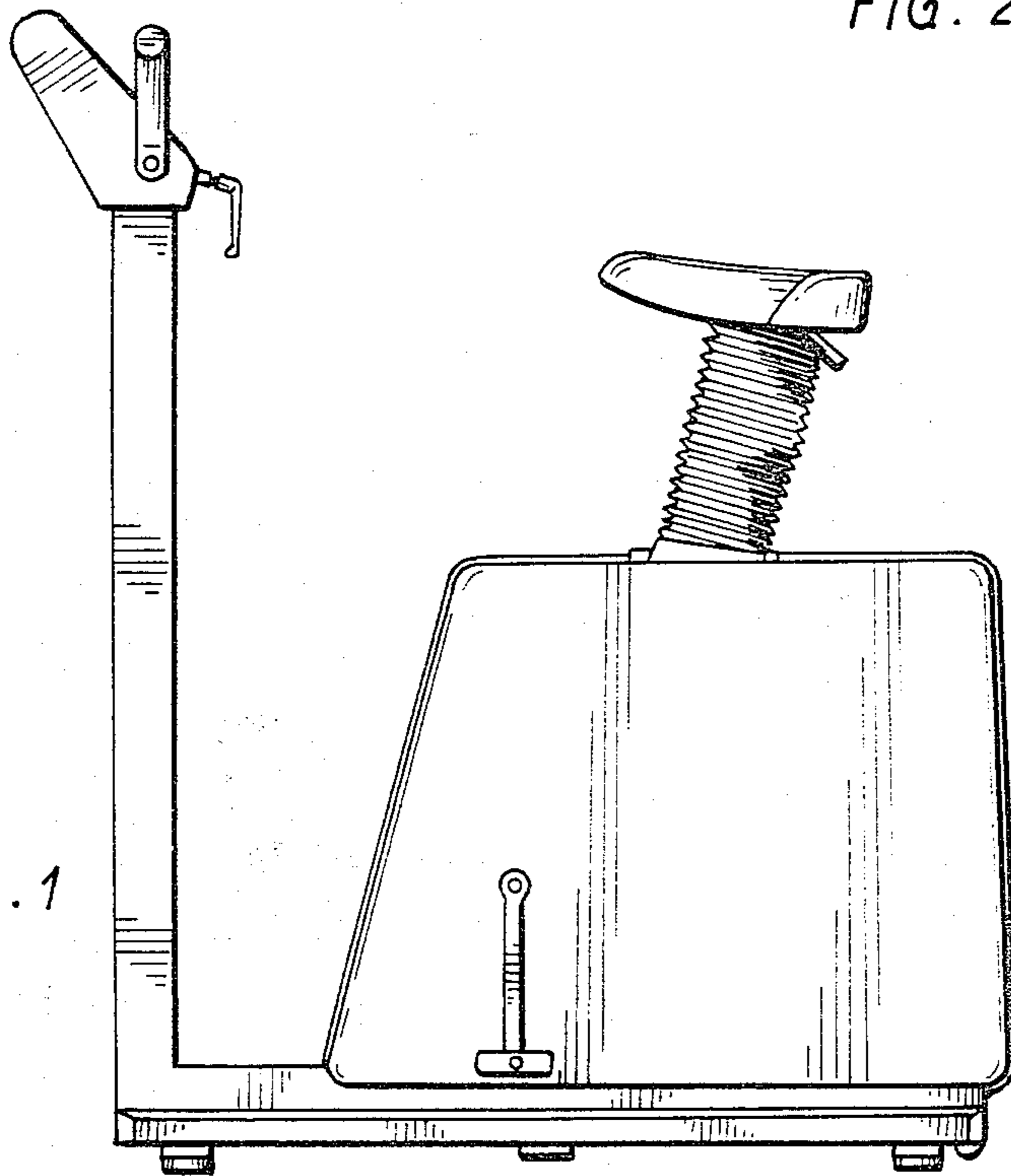


FIG. 1

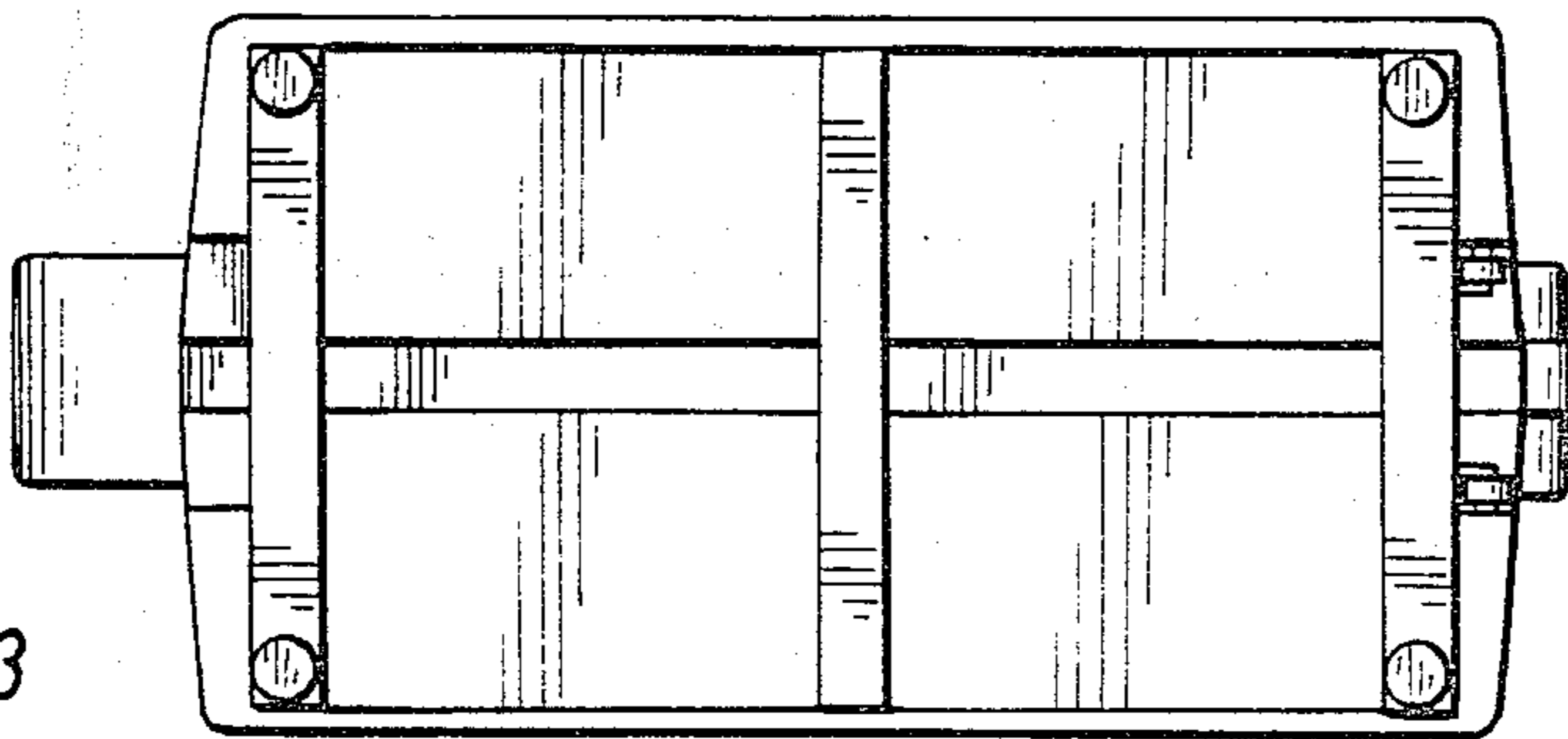


FIG. 3

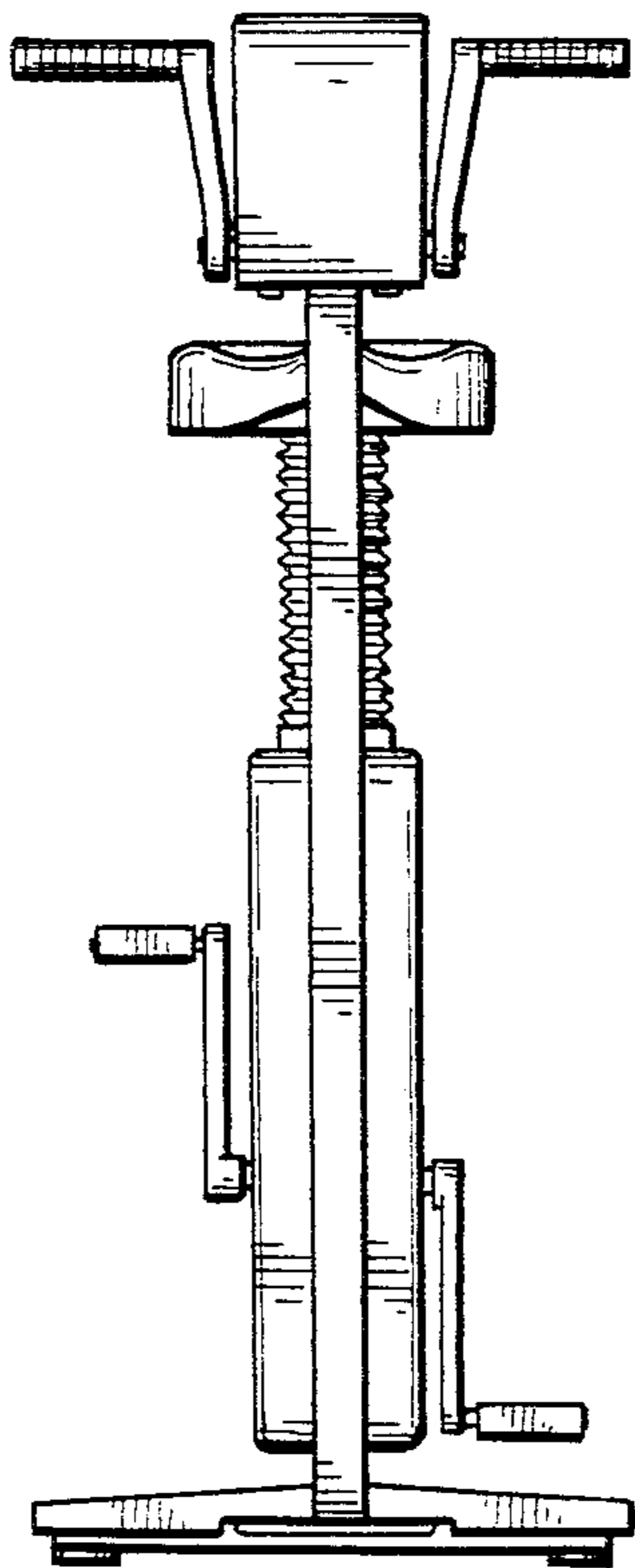


FIG. 4

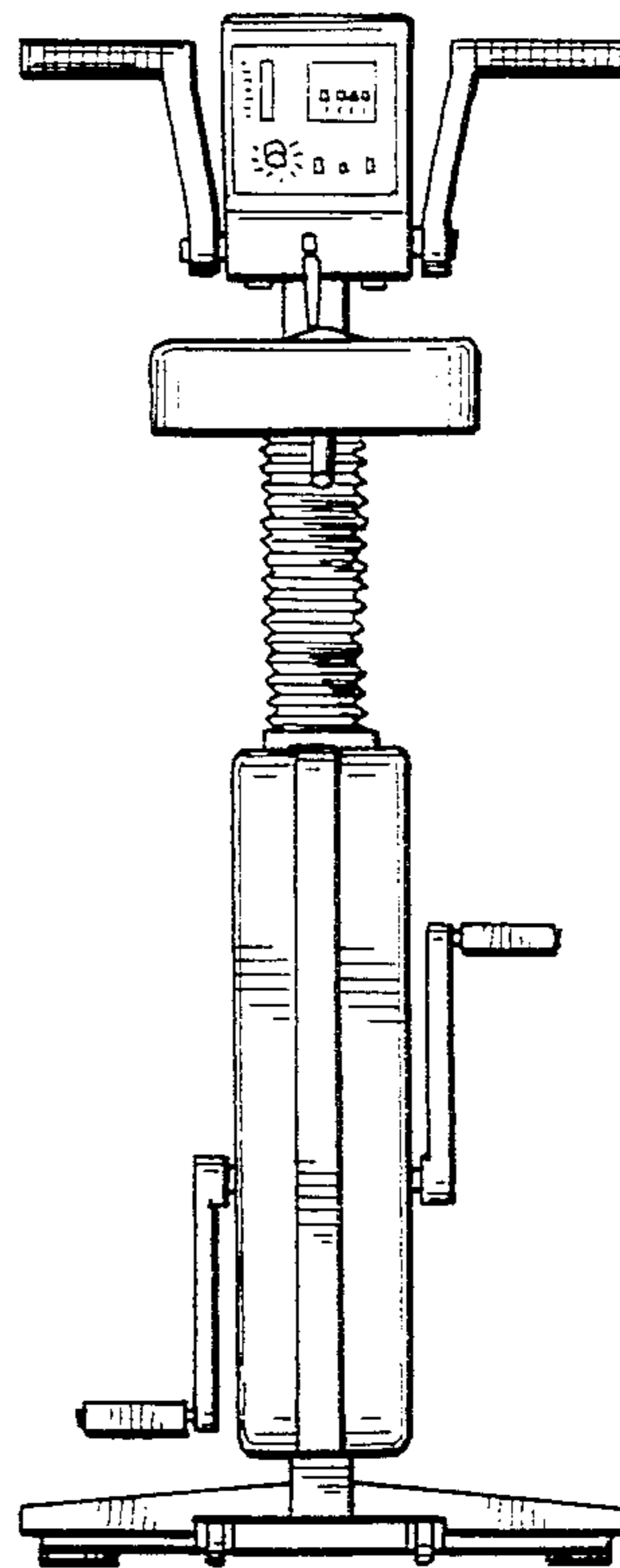


FIG. 5