

[54] DRAWER INSERT FOR A DESK STORAGE TRAY SYSTEM

D. 264,538 5/1982 Pomroy ..... D9/347

[75] Inventor: Mel Evenson, San Pedro, Calif.

[73] Assignee: Eldon Industries, Inc., Inglewood, Calif.

[\*\*] Term: 14 Years

[21] Appl. No.: 443,211

[22] Filed: Nov. 22, 1982

[52] U.S. Cl. .... D19/75; D3/74; D9/341; D9/347; D34/46

[58] Field of Search ..... D3/33, 35, 74, 75; D9/341, 347; D7/38; D19/75, 77-85, 92, 99; 206/561-564, 387

[56] References Cited

U.S. PATENT DOCUMENTS

- D. 122,589 9/1940 Bastress ..... D9/347
- D. 204,475 4/1966 Mackay ..... D9/347
- D. 256,809 9/1980 Evenson ..... D19/75

OTHER PUBLICATIONS

Miles Kimball Cat. ©1978, p. 43, Item: top right.

Primary Examiner—George P. Word  
Attorney, Agent, or Firm—Edward D. O'Brian; K. H. Boswell

[57] CLAIM

The ornamental design for a drawer insert for a desk storage tray system, substantially as shown and described.

DESCRIPTION

FIG. 1 is a top plan view of a drawer insert for a desk storage tray system, showing my new design; FIG. 2 is a bottom plan view thereof; FIG. 3 is an elevational view of the right side thereof; FIG. 4 is an elevational view of the left side thereof; FIG. 5 is a front elevational view thereof; FIG. 6 is a rear elevational view thereof; and FIG. 7 is an enlarged scale top perspective view thereof.

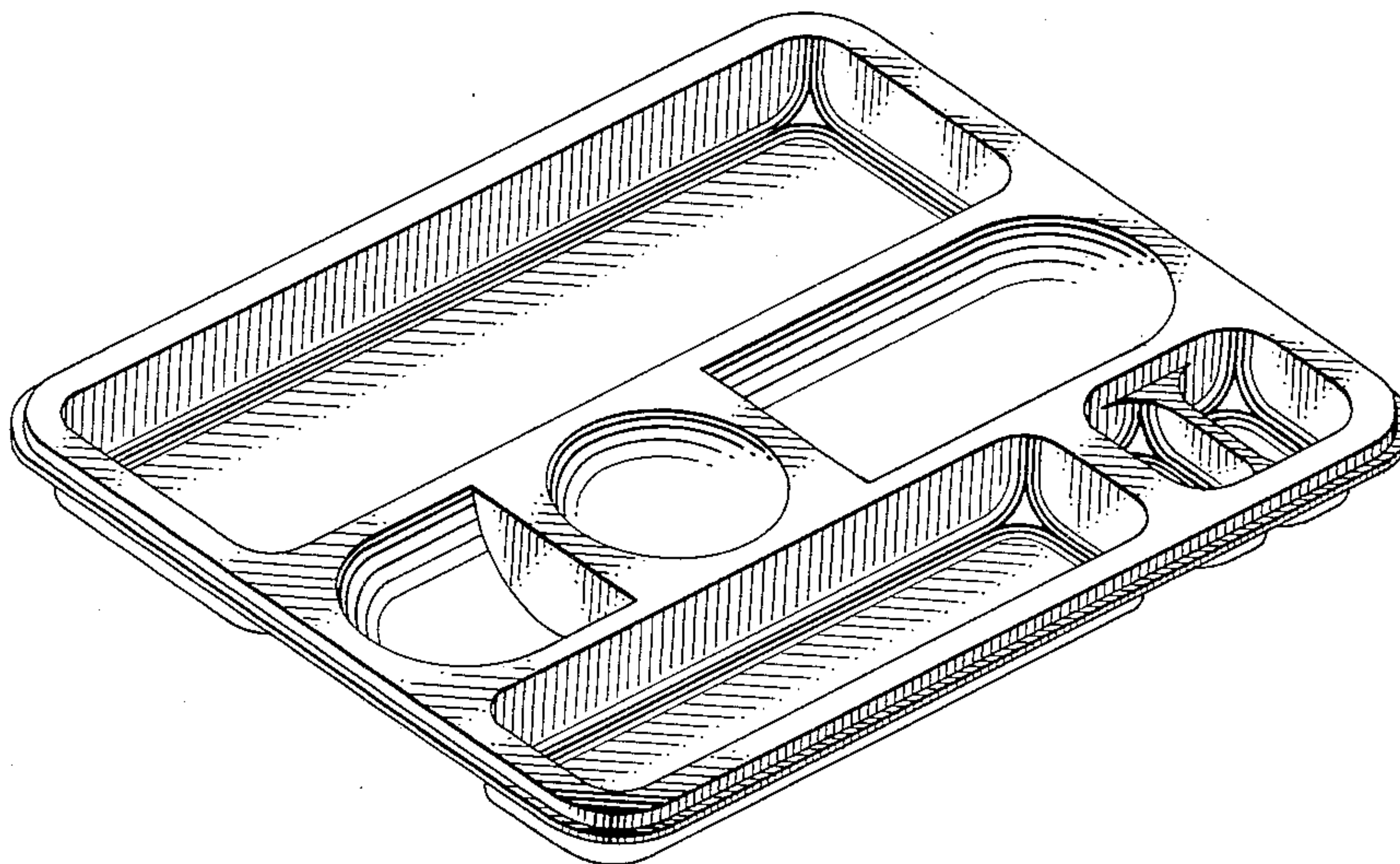


FIG. 1.

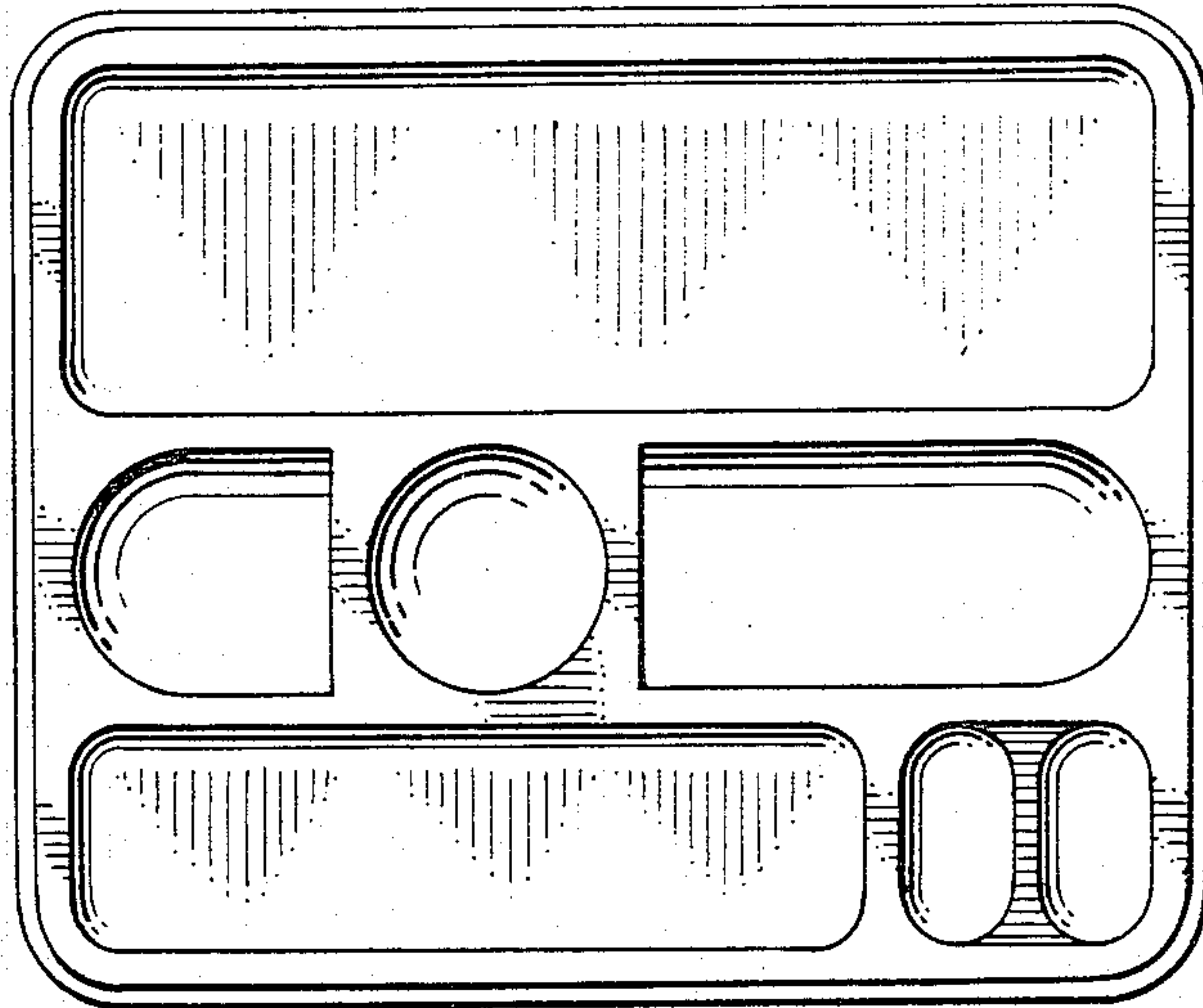


FIG. 3.



FIG. 2.

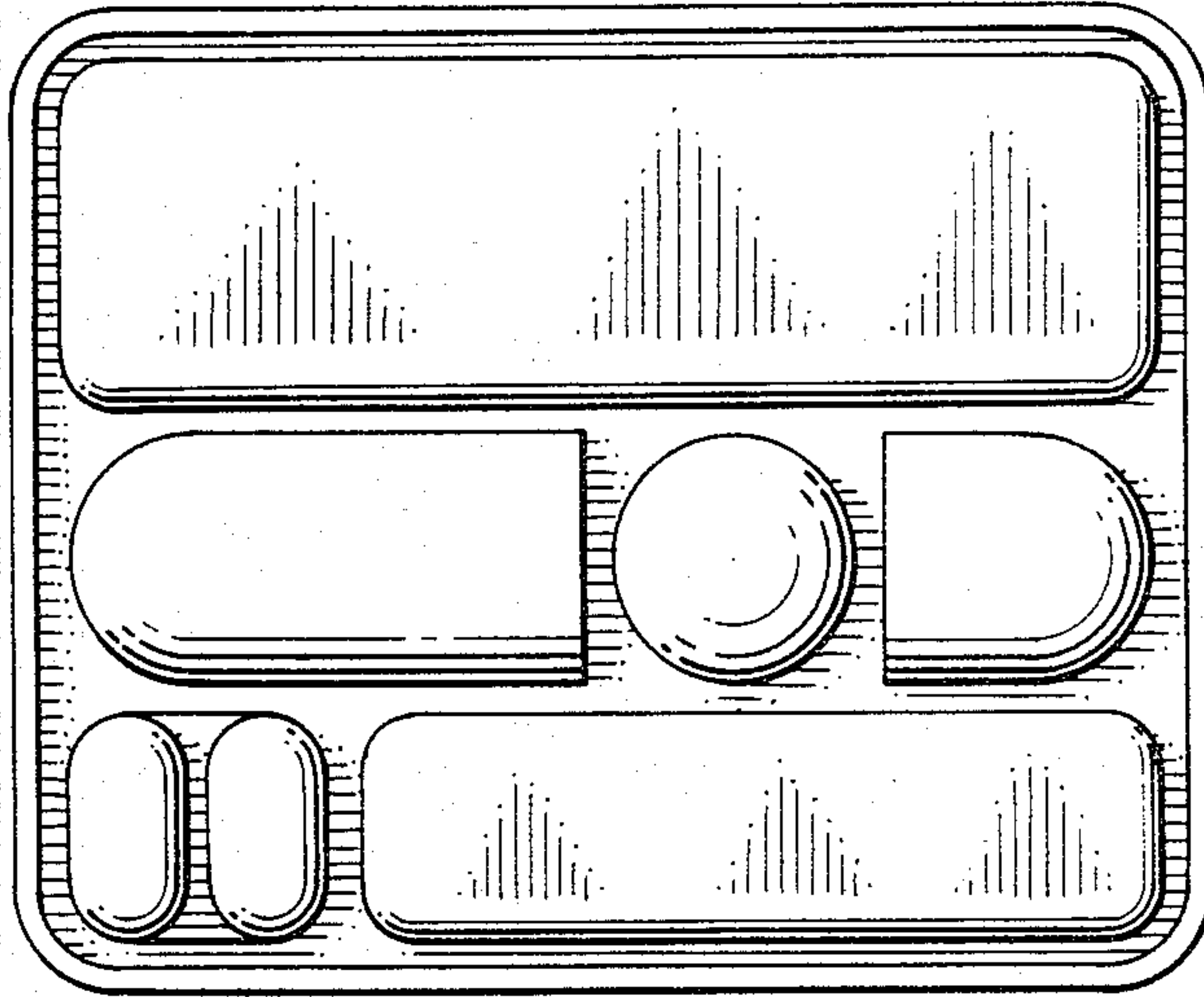


FIG. 4.



FIG. 5.

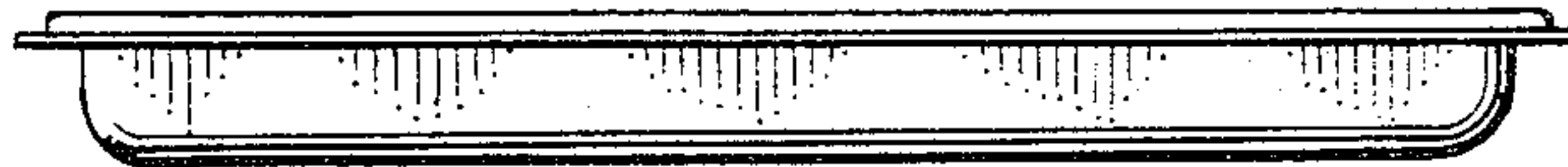
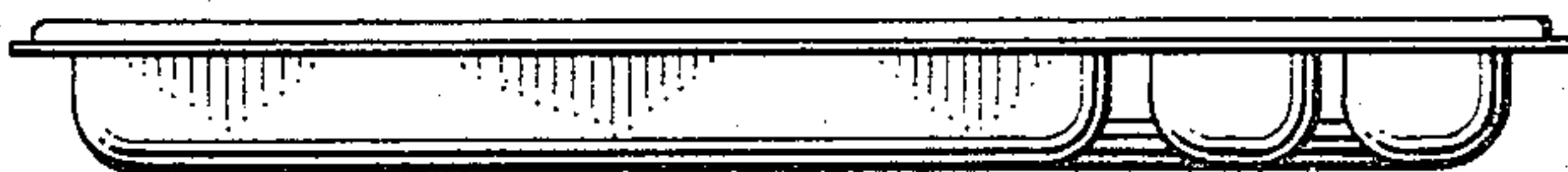


FIG. 6.

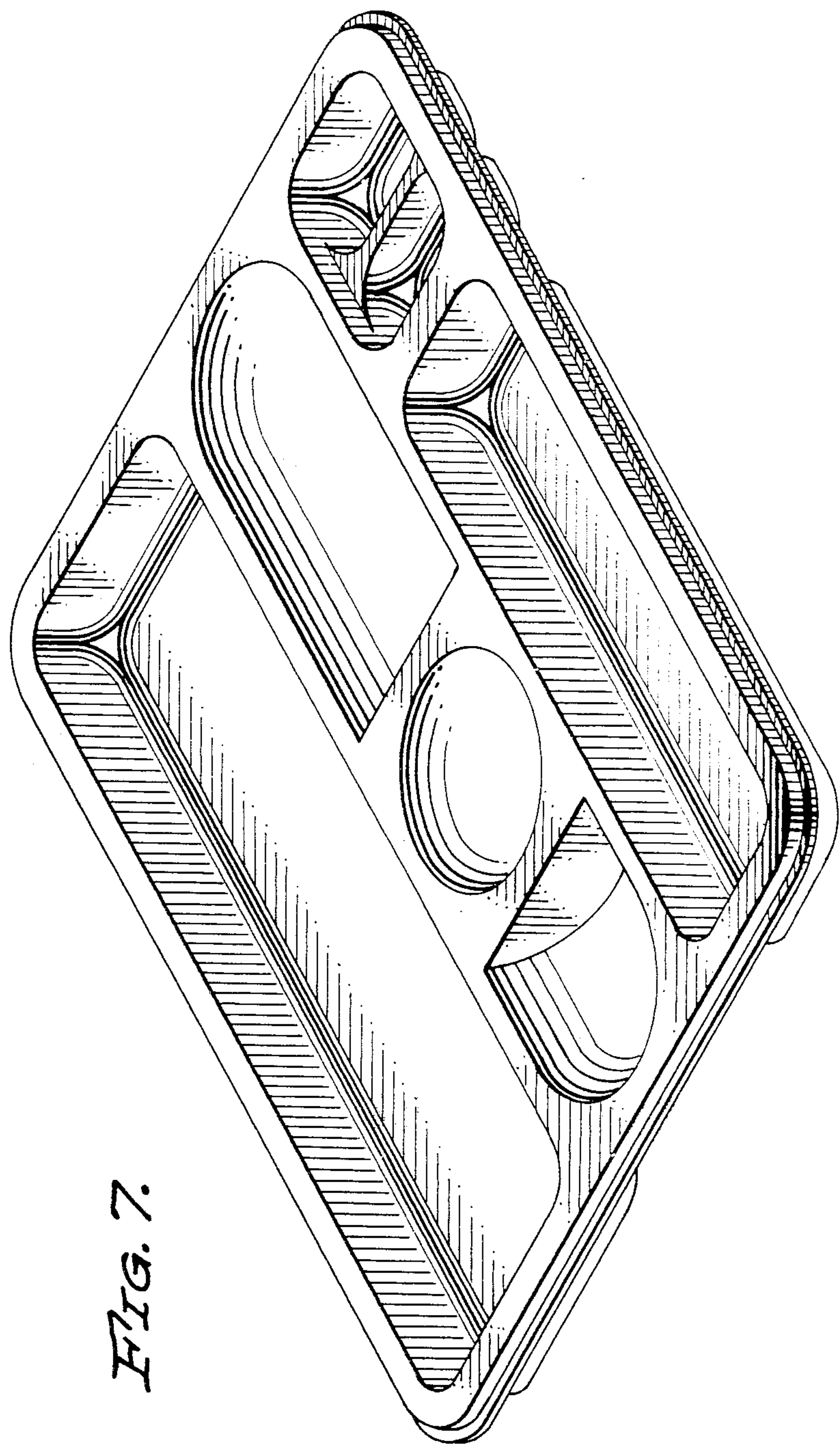


FIG. 7.