

[54] DRAWER INSERT FOR A DESK STORAGE TRAY SYSTEM

[75] Inventor: Mel Evenson, San Pedro, Calif.

[73] Assignee: Eldon Industries, Inc., Inglewood, Calif.

[\*\*] Term: 14 Years

[21] Appl. No.: 443,181

[22] Filed: Nov. 22, 1982

[52] U.S. Cl. .... D19/75; D3/35; D3/74; D9/341; D34/46

[58] Field of Search ..... D3/33, 35, 74, 75; D9/341, 347; D7/38; D19/75, 77-85, 92, 99; 206/387, 561-564

[56] References Cited

U.S. PATENT DOCUMENTS

- D. 221,193 7/1971 Goren ..... D3/35
- D. 237,841 11/1975 DiBartolo ..... D7/38

- D. 238,110 12/1975 Shyers ..... D3/35
- 3,620,367 11/1971 Stembel ..... D3/35

Primary Examiner—George P. Word  
Attorney, Agent, or Firm—Edward D. O'Brian; K. H. Boswell

[57] CLAIM

The ornamental design for a drawer insert for a desk storage tray system, substantially as shown and described.

DESCRIPTION

FIG. 1 is a top plan view of a drawer insert for a desk storage tray system, showing my new design; FIG. 2 is a bottom plan view thereof; FIG. 3 is an elevational view of the right side thereof; FIG. 4 is an elevational view of the left side thereof; FIG. 5 is a front elevational view thereof; FIG. 6 is a rear elevational view thereof; and FIG. 7 is an enlarged scale top perspective view thereof.

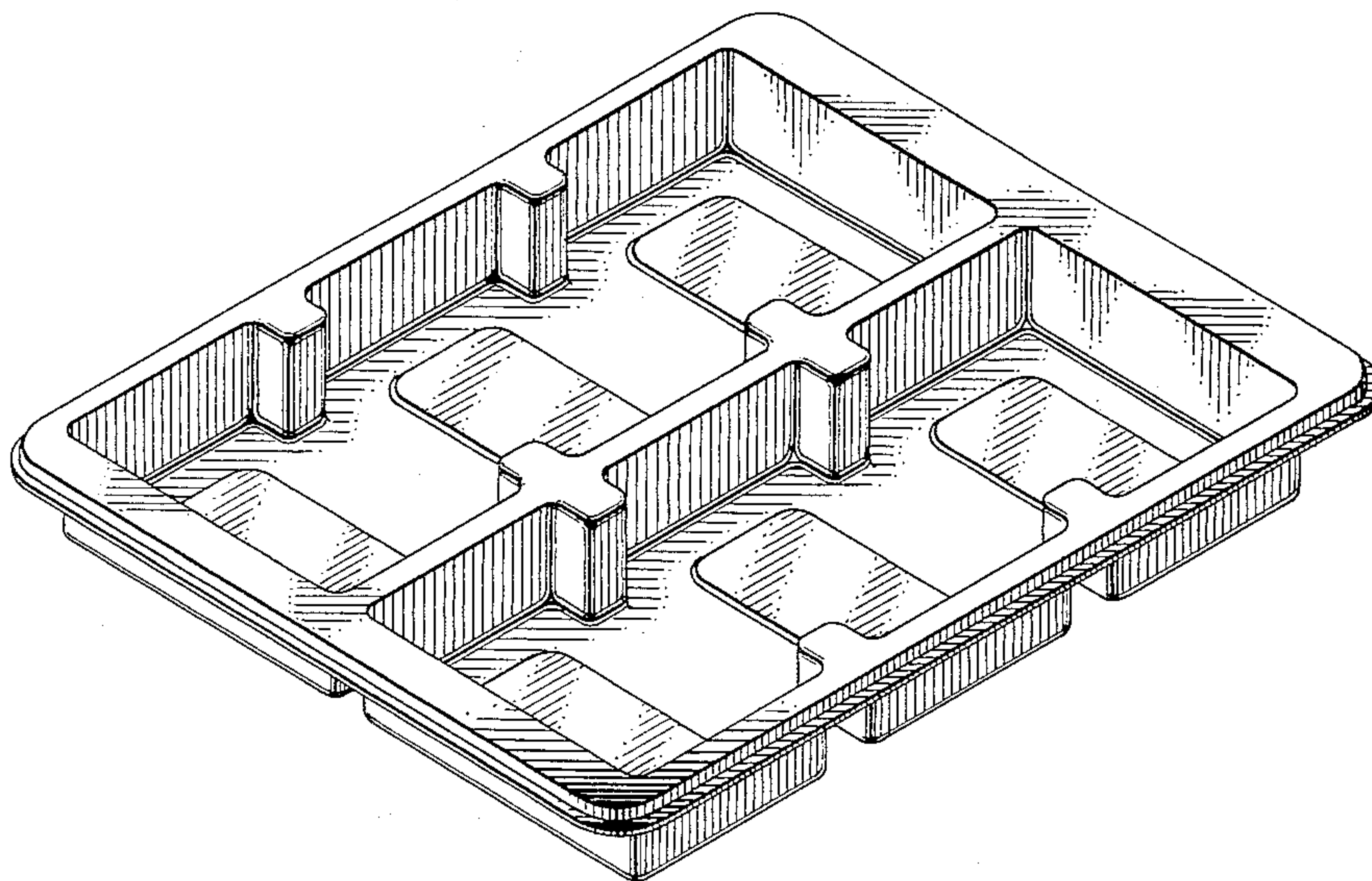


FIG. 1.

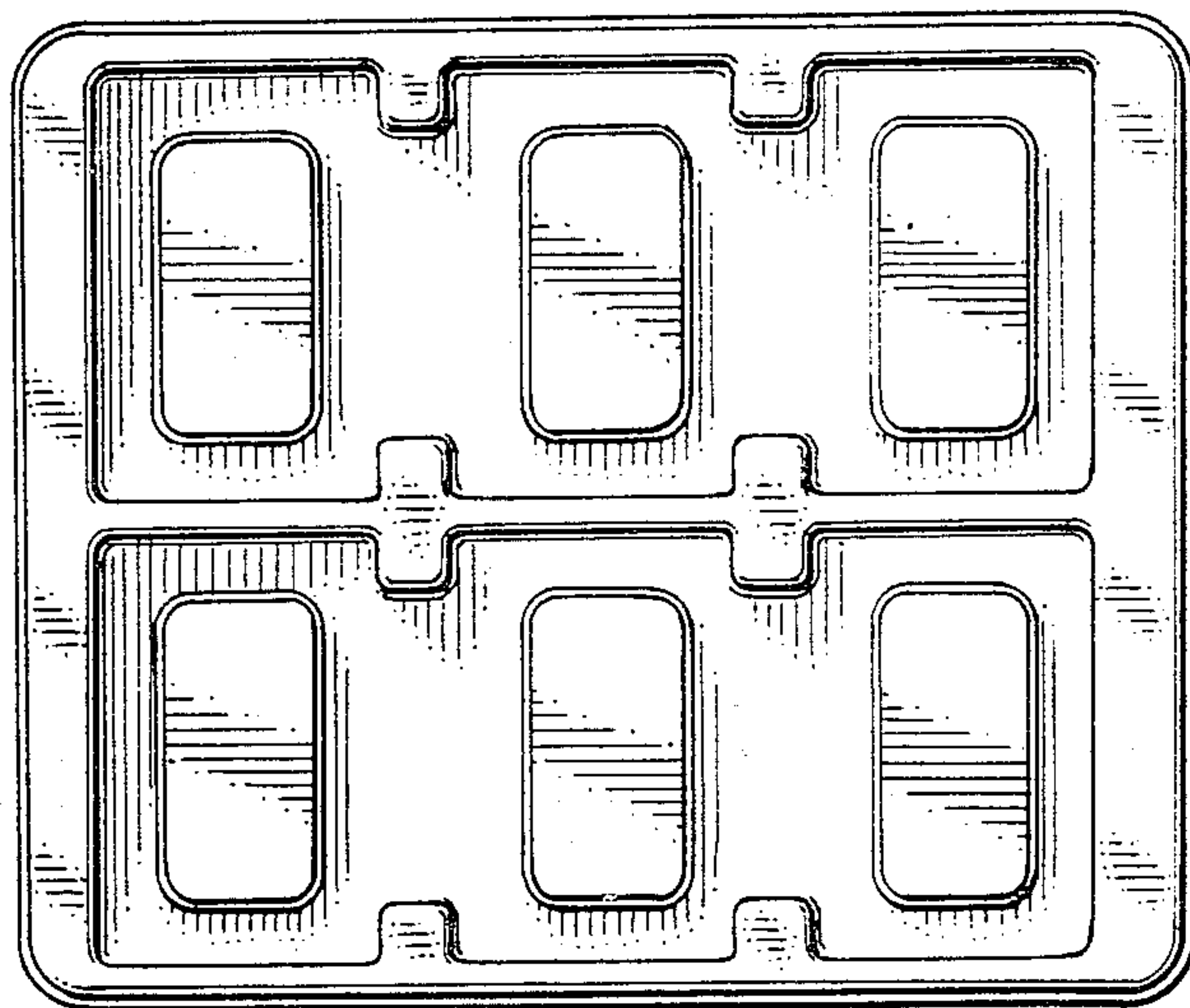


FIG. 3.

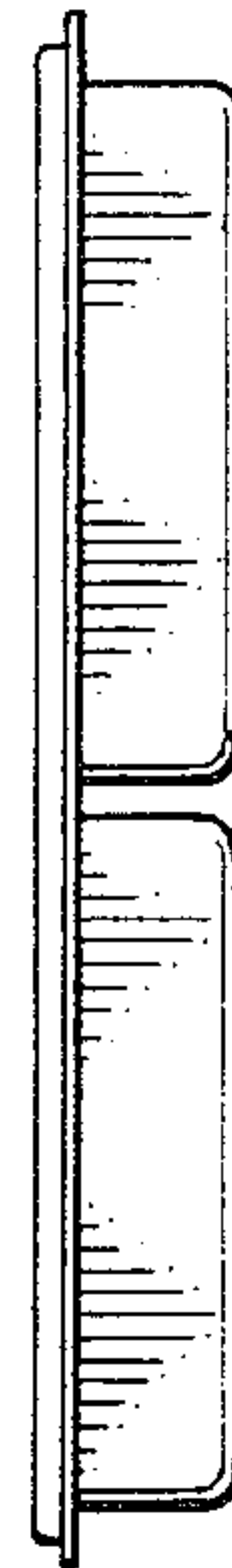


FIG. 2.

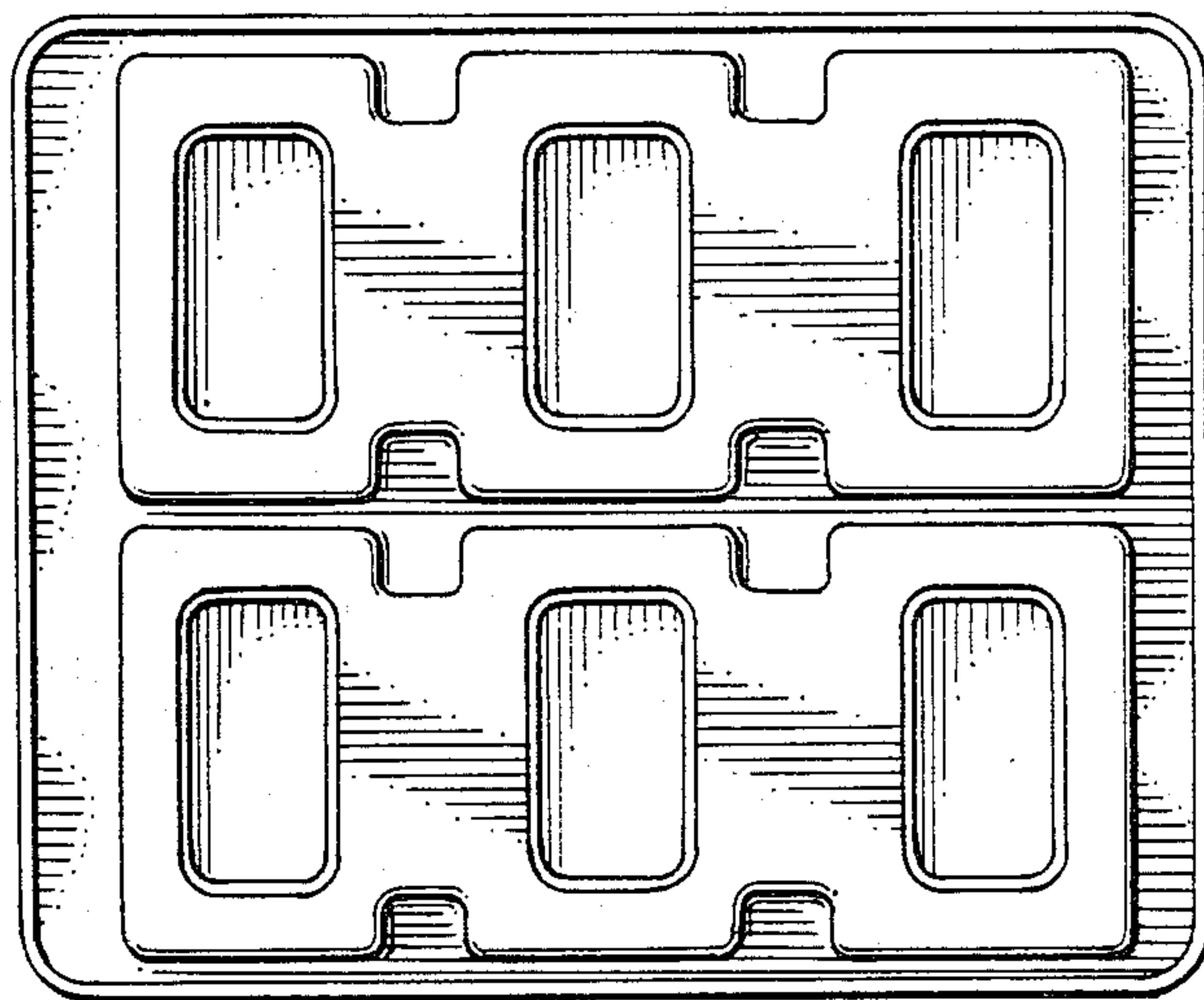


FIG. 4.

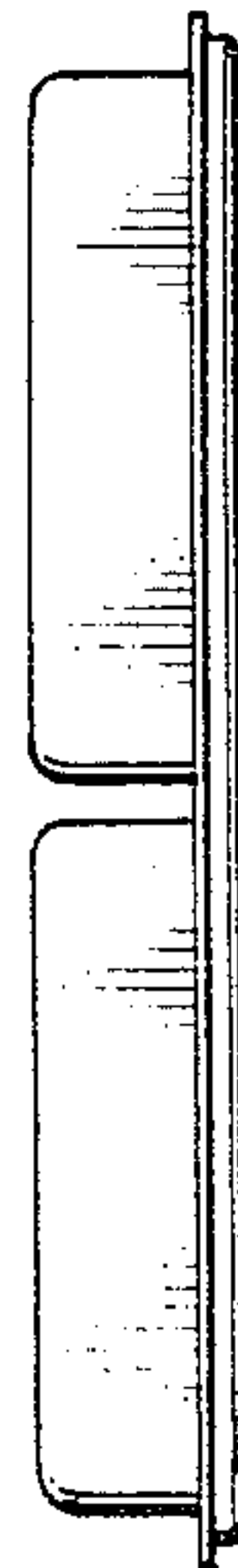


FIG. 5.

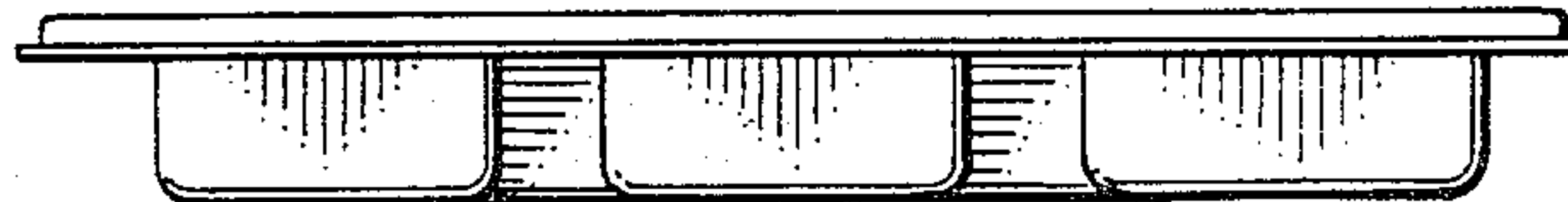
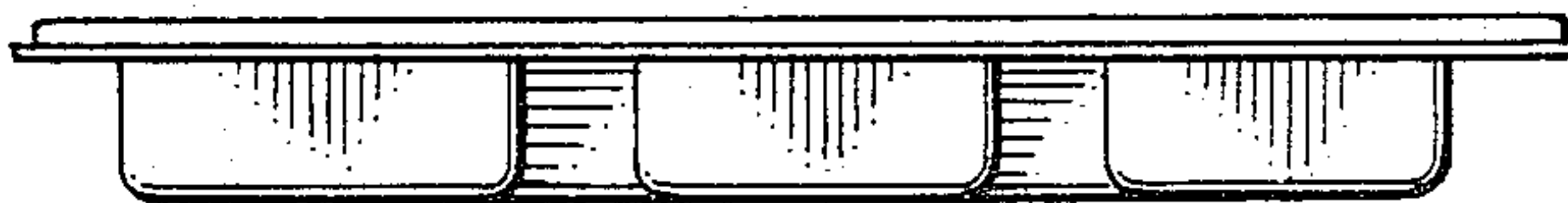


FIG. 6.

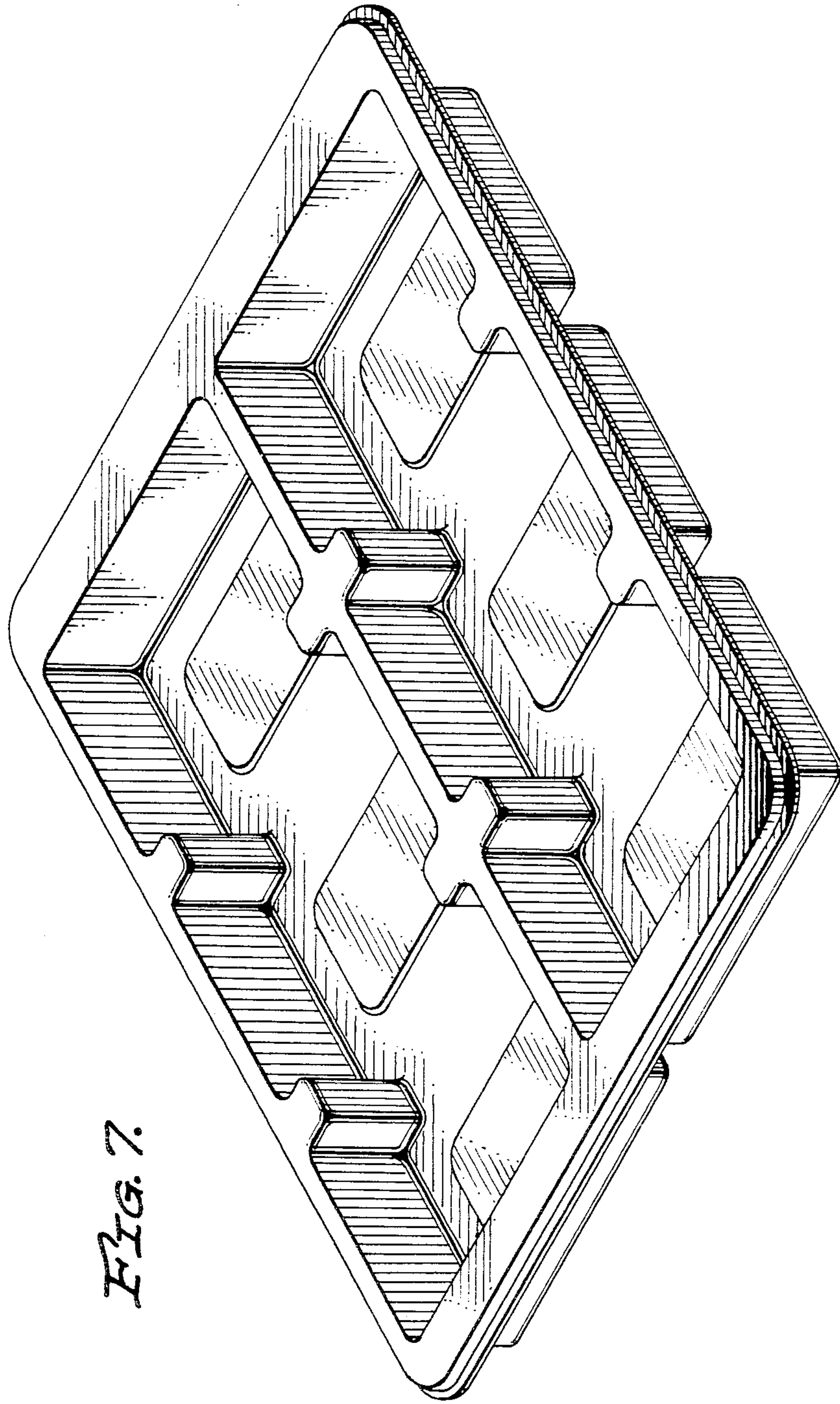


FIG. 7.