

[54] TAPE DISPENSER

[76] Inventor: Nathan F. Dobbs, 361 Collins St.,  
Ormond Beach, Fla. 32074

[\*\*] Term: 14 Years

[21] Appl. No.: 439,344

[22] Filed: Nov. 5, 1982

[52] U.S. Cl. .... D19/69; D19/75;  
D19/77

[58] Field of Search ..... D19/75, 77, 85, 67-69;  
D6/96-97; D34/46; 206/214; 225/6, 19

[56] References Cited

U.S. PATENT DOCUMENTS

- D. 183,031 6/1958 Tarte, Jr. .... D19/85
- D. 191,773 11/1961 Maccaferri ..... D19/69
- D. 232,272 7/1974 Hahn ..... D34/46

- D. 250,823 1/1979 Theobalo ..... D19/77
- D. 251,599 4/1979 Fritzinger ..... D19/69
- D. 270,648 9/1983 Mayo ..... D34/46

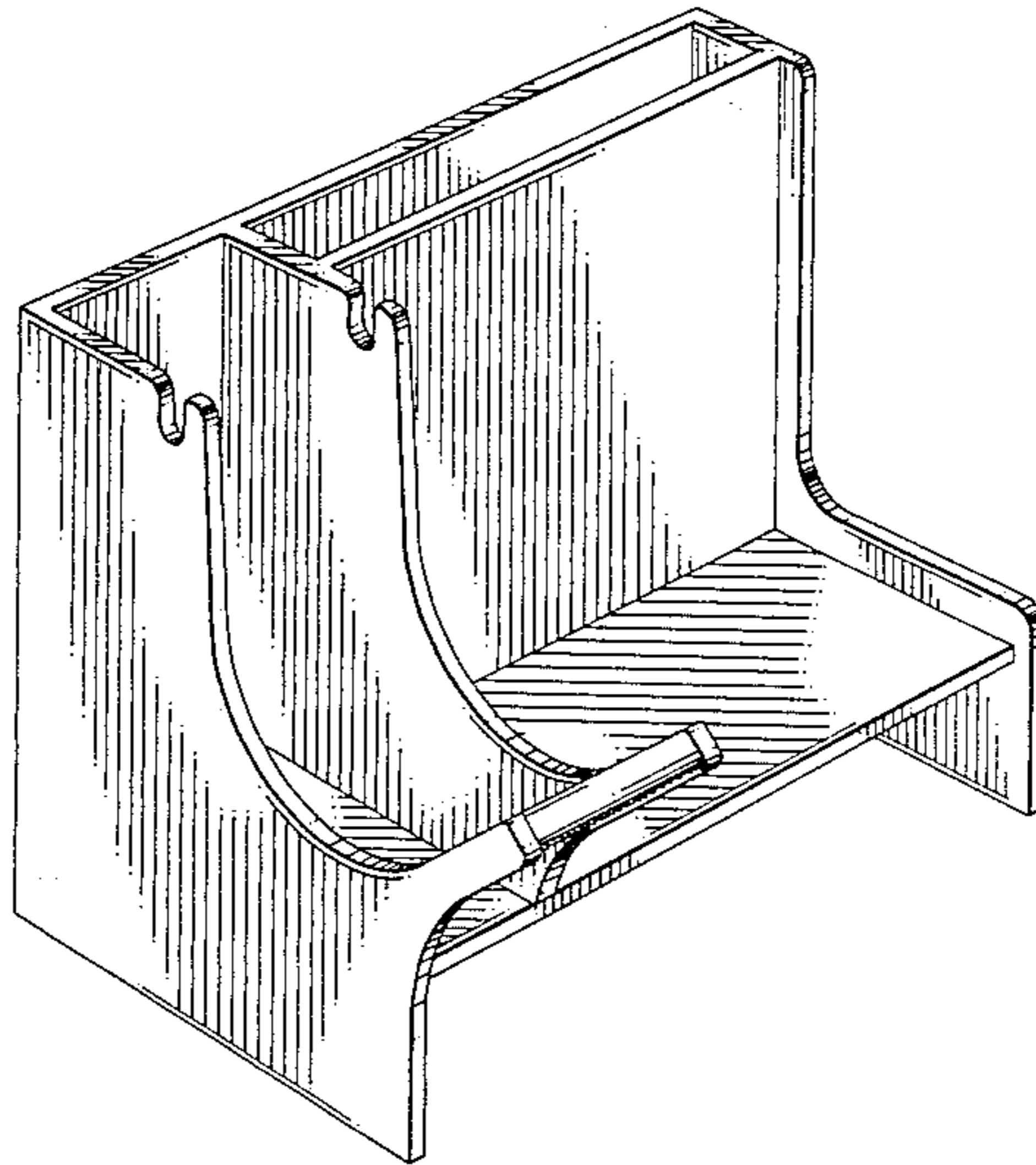
Primary Examiner—George P. Word  
Attorney, Agent, or Firm—Duckworth, Allen, Dyer &  
Pettis

[57] CLAIM

The ornamental design for a tape dispenser, as shown  
and described.

DESCRIPTION

FIG. 1 is a left front perspective view of a tape dis-  
penser showing my new design;  
FIG. 2 is a reduced scale bottom plan view thereof;  
FIG. 3 is a right side elevational view thereof;  
FIG. 4 is a left side elevational view thereof;  
FIG. 5 is a top plan view thereof; and  
FIG. 6 is a rear elevational view thereof.



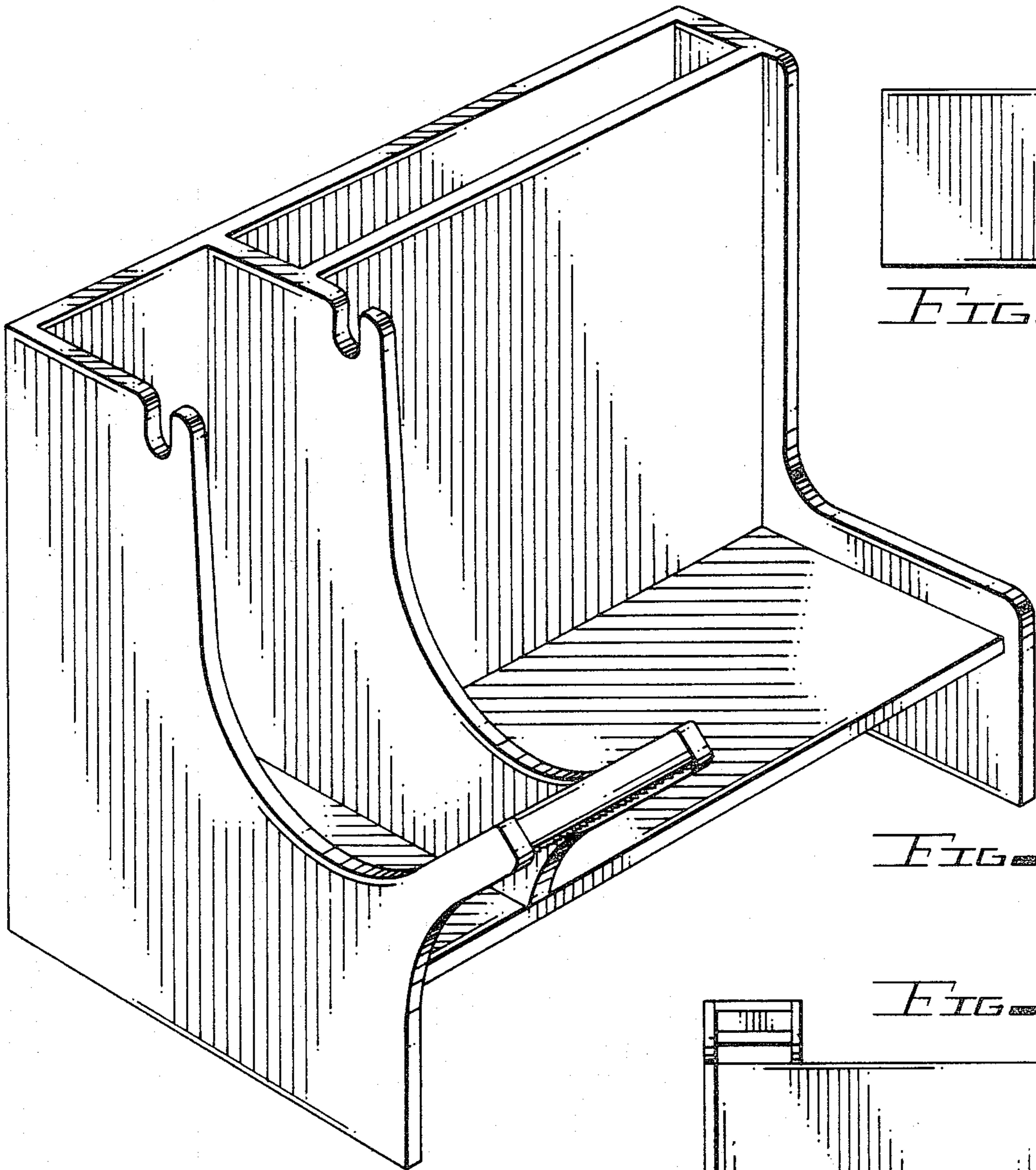


FIG. 1

FIG. 2

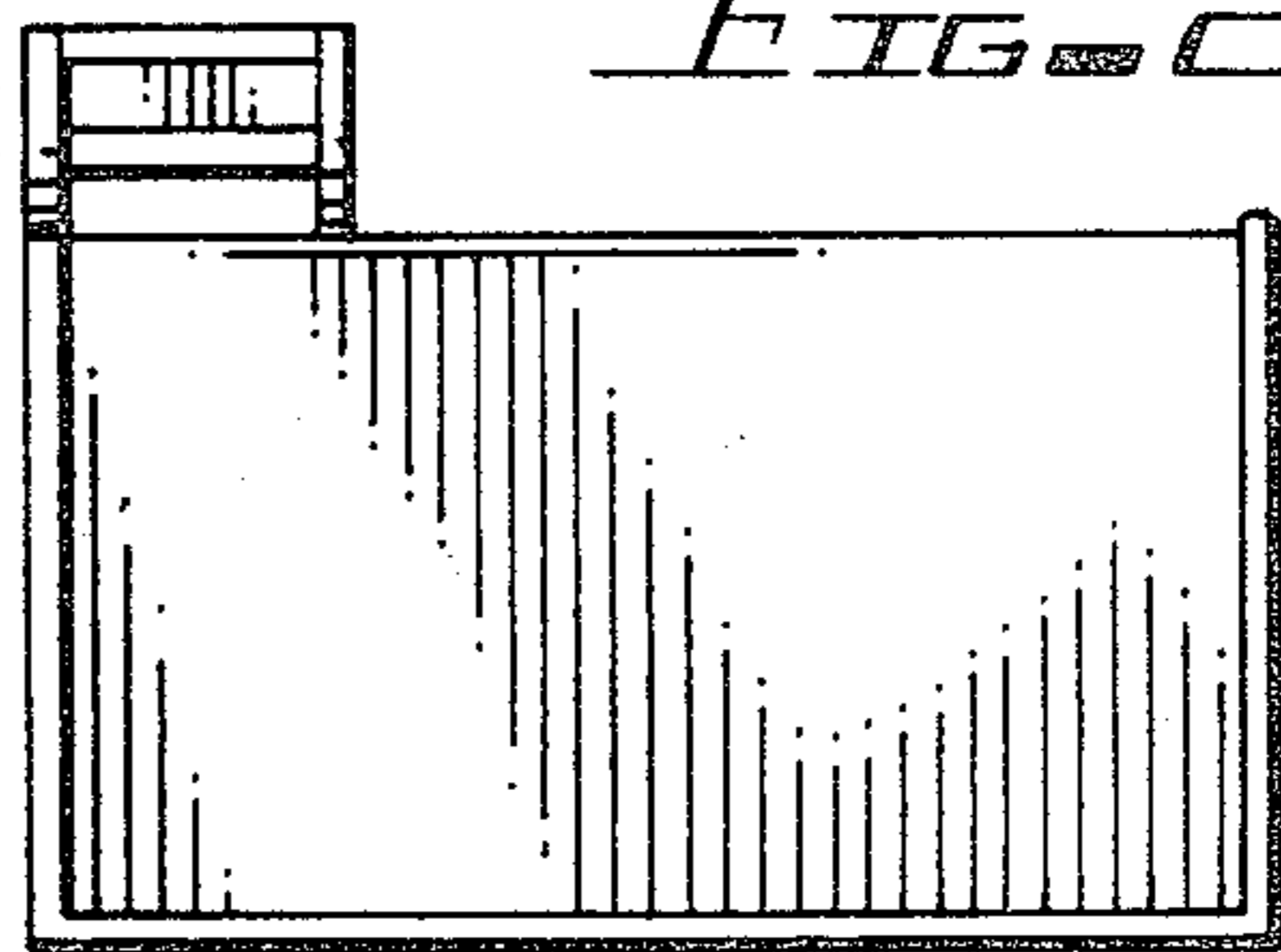


FIG. 3

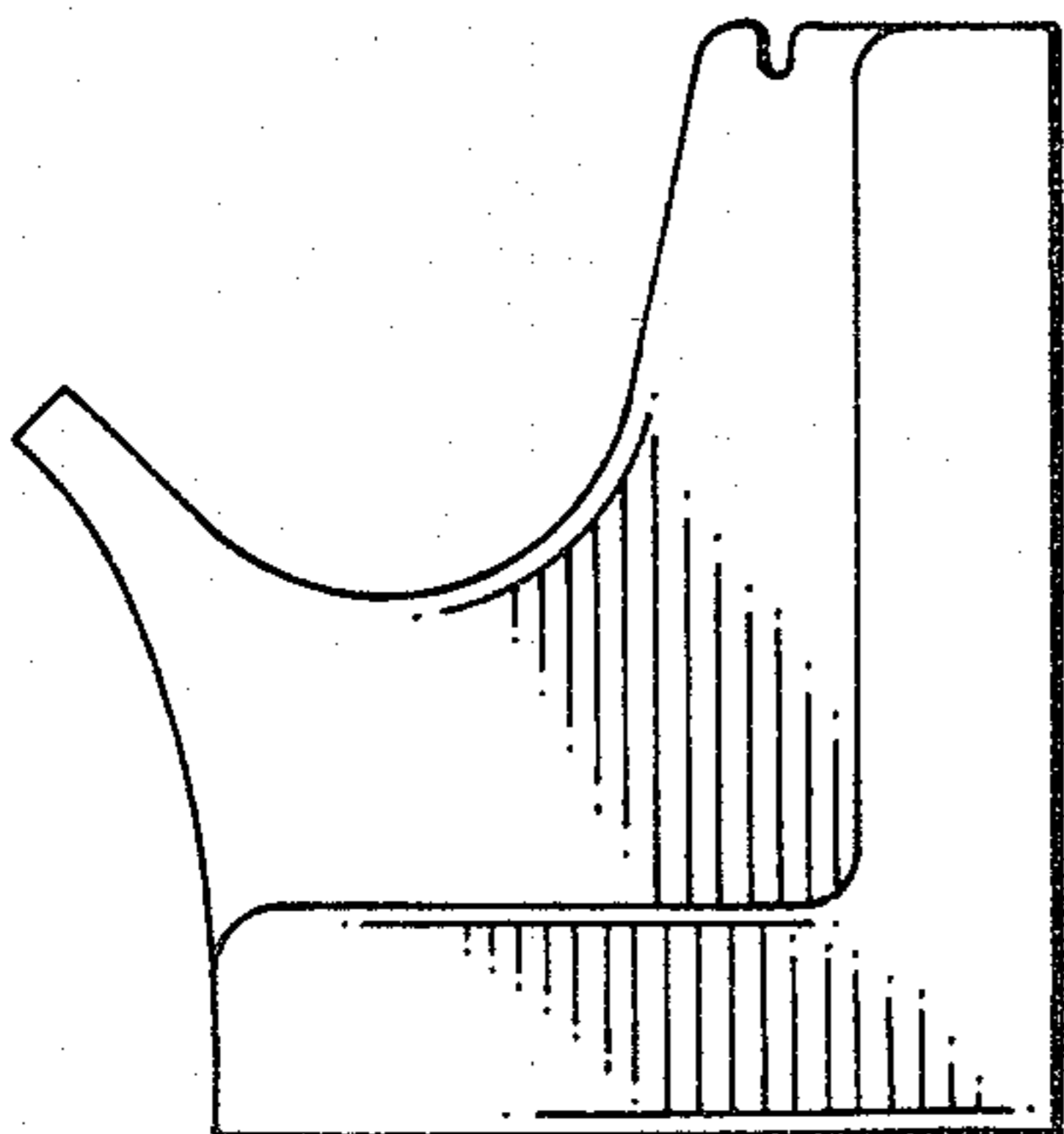


FIG. 4

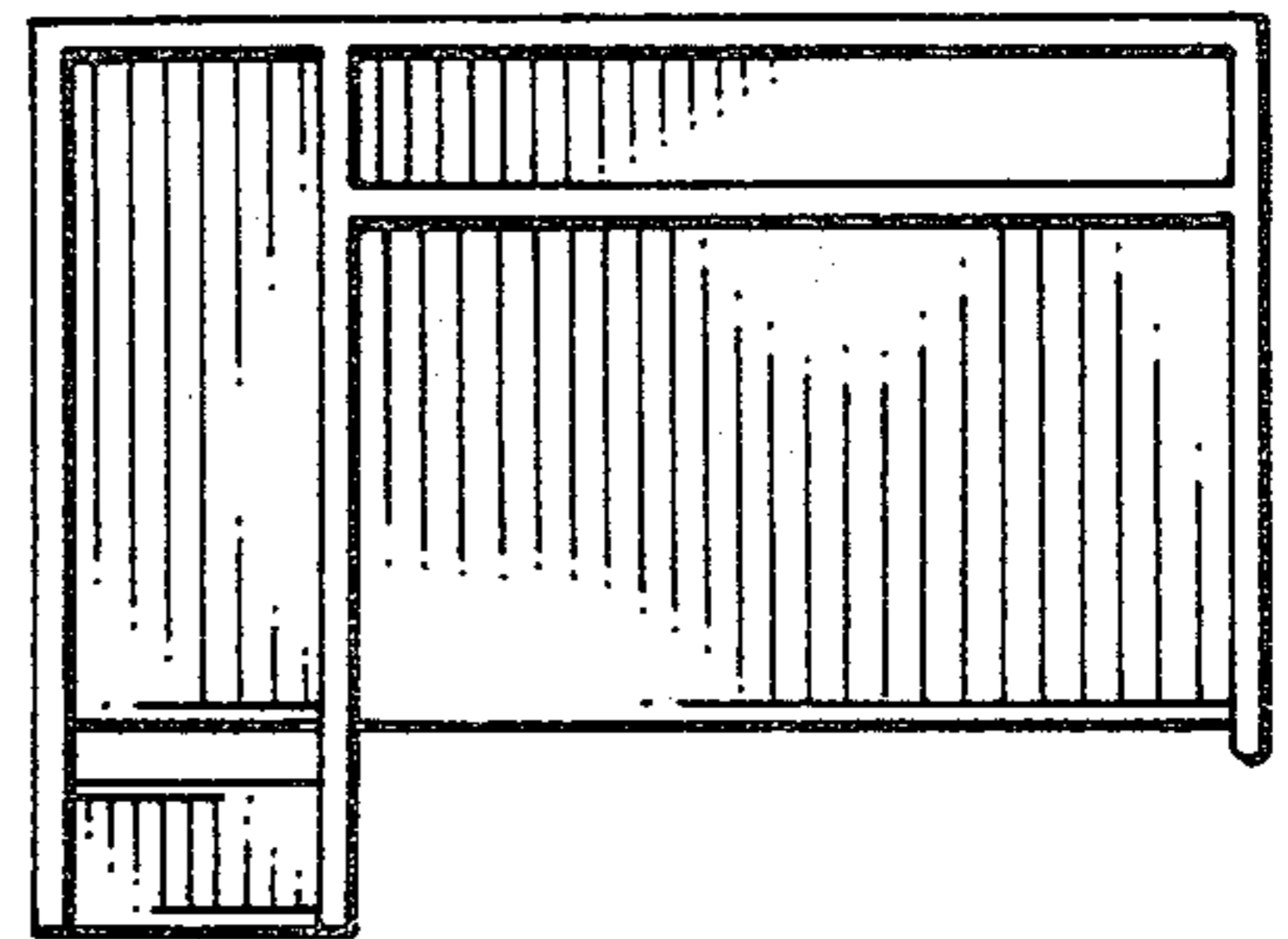
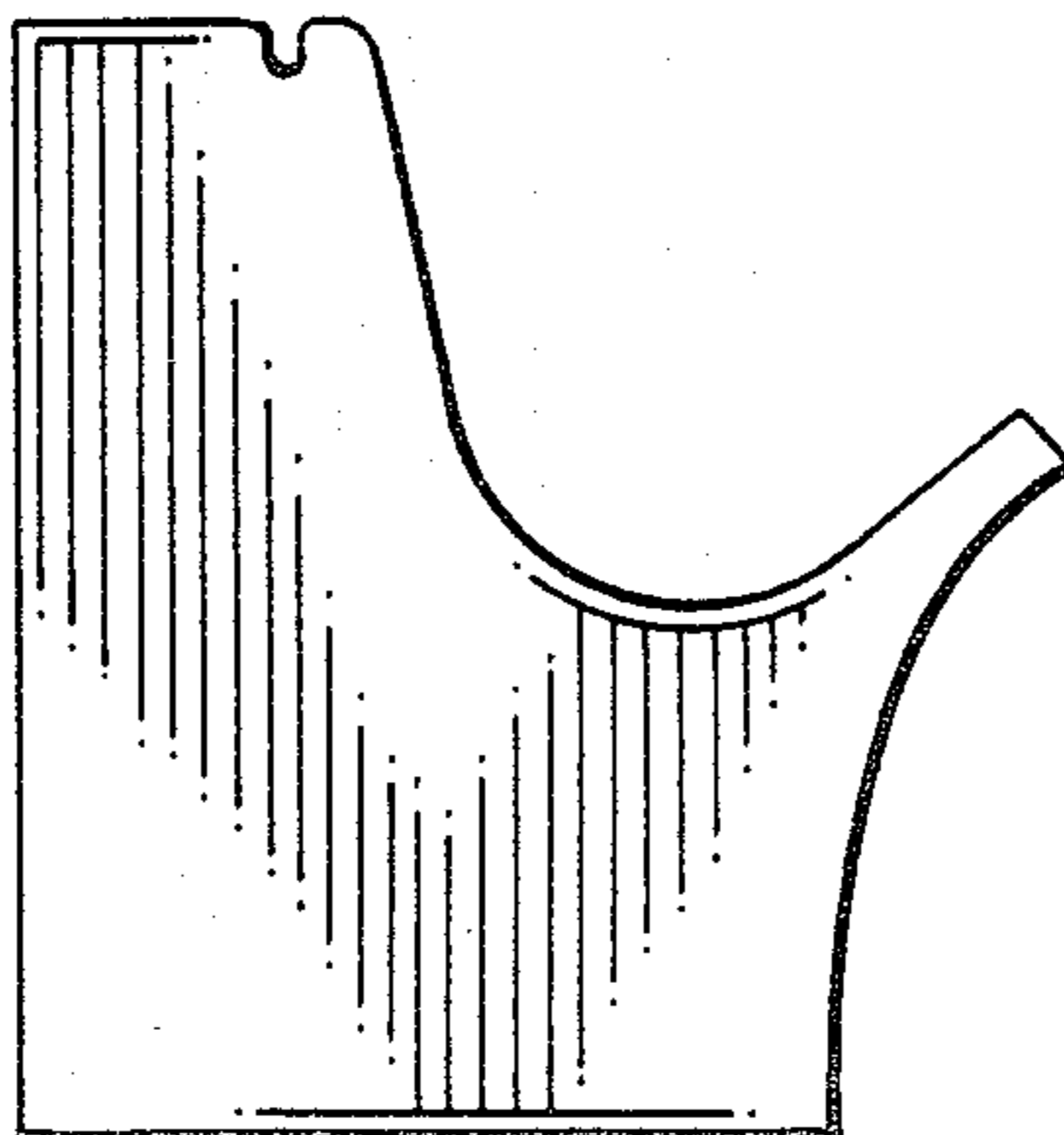


FIG. 5

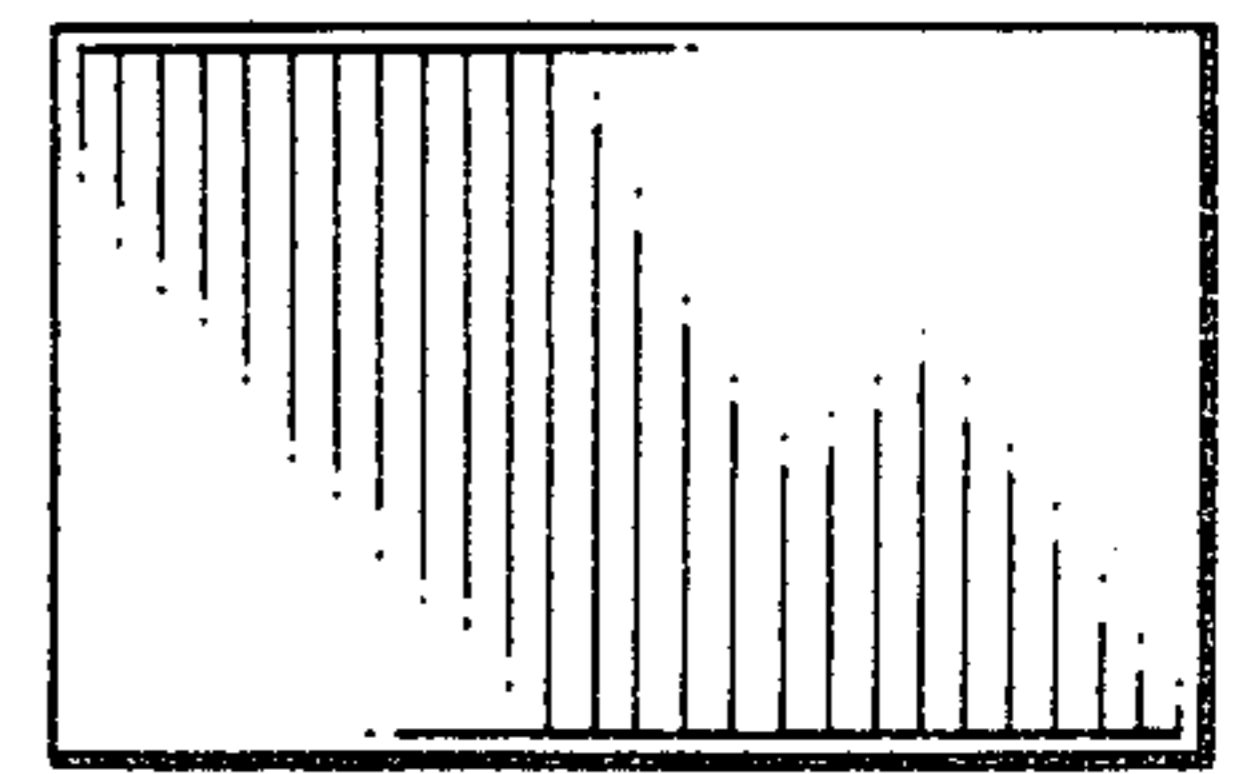


FIG. 6