

United States Patent [19]

Rosensweig et al.

[11] Patent Number: **Des. 278,250**

[45] Date of Patent: **** Apr. 2, 1985**

[54] **ENVELOPE POWER CONVEYOR STACKER**

3,945,635 3/1976 Marin 217/216 X

[75] Inventors: **Burton J. Rosensweig**, San Mateo;
George H. Bingham; **Edward A. Krupotich**, both of Los Altos, all of Calif.

Primary Examiner—Louis S. Zarfes
Attorney, Agent, or Firm—Flehr, Hohbach, Test, Albritton & Herbert

[73] Assignee: **Omaton Corporation**, Mountain View, Calif.

[57] **CLAIM**

The ornamental design for an envelope power conveyor stacker, as shown.

[**] Term: **14 Years**

[21] Appl. No.: **397,133**

[22] Filed: **Jul. 12, 1982**

[52] U.S. Cl. **D18/22**

[58] Field of Search D18/12, 13, 22, 99;
271/72, 198, 202, 216

DESCRIPTION

FIG. 1 is a perspective view of an envelope power conveyor stacker showing our new design;

FIG. 2 is a plan view thereof;

FIG. 3 is an end elevational view thereof taken along the line 3—3 of FIG. 2;

FIG. 4 is an end elevational view thereof taken along the line 4—4 of FIG. 2.

FIG. 5 is a front view taken along line 5—5 of FIG. 3;

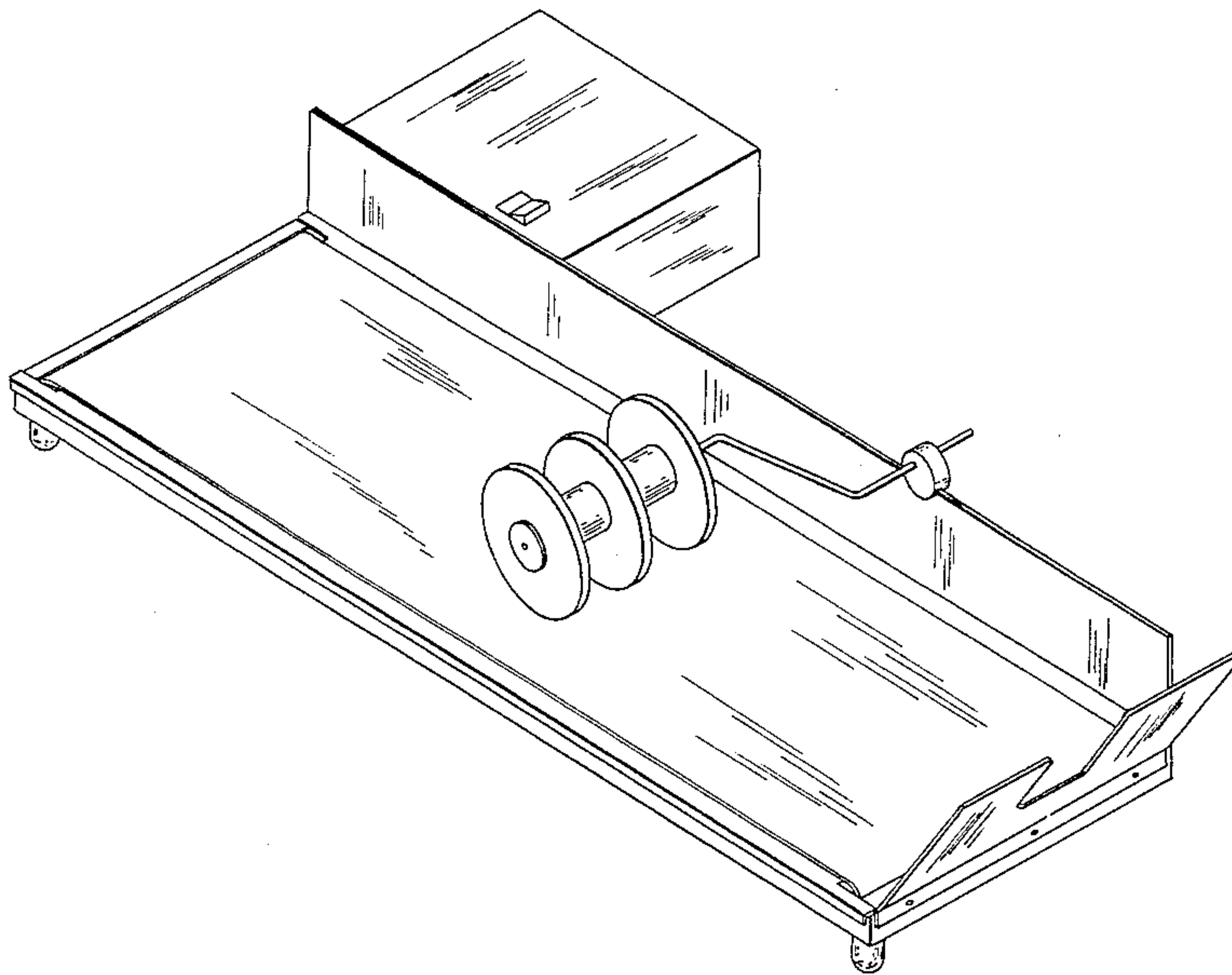
FIG. 6 is a rear view taken along line 6—6 of FIG. 3.

FIG. 7 is a bottom plan view taken along the line 7—7 of FIG. 3.

[56] **References Cited**

U.S. PATENT DOCUMENTS

1,879,040 9/1932 Belluche 271/202 X
3,481,598 12/1969 Lopez 271/216 X



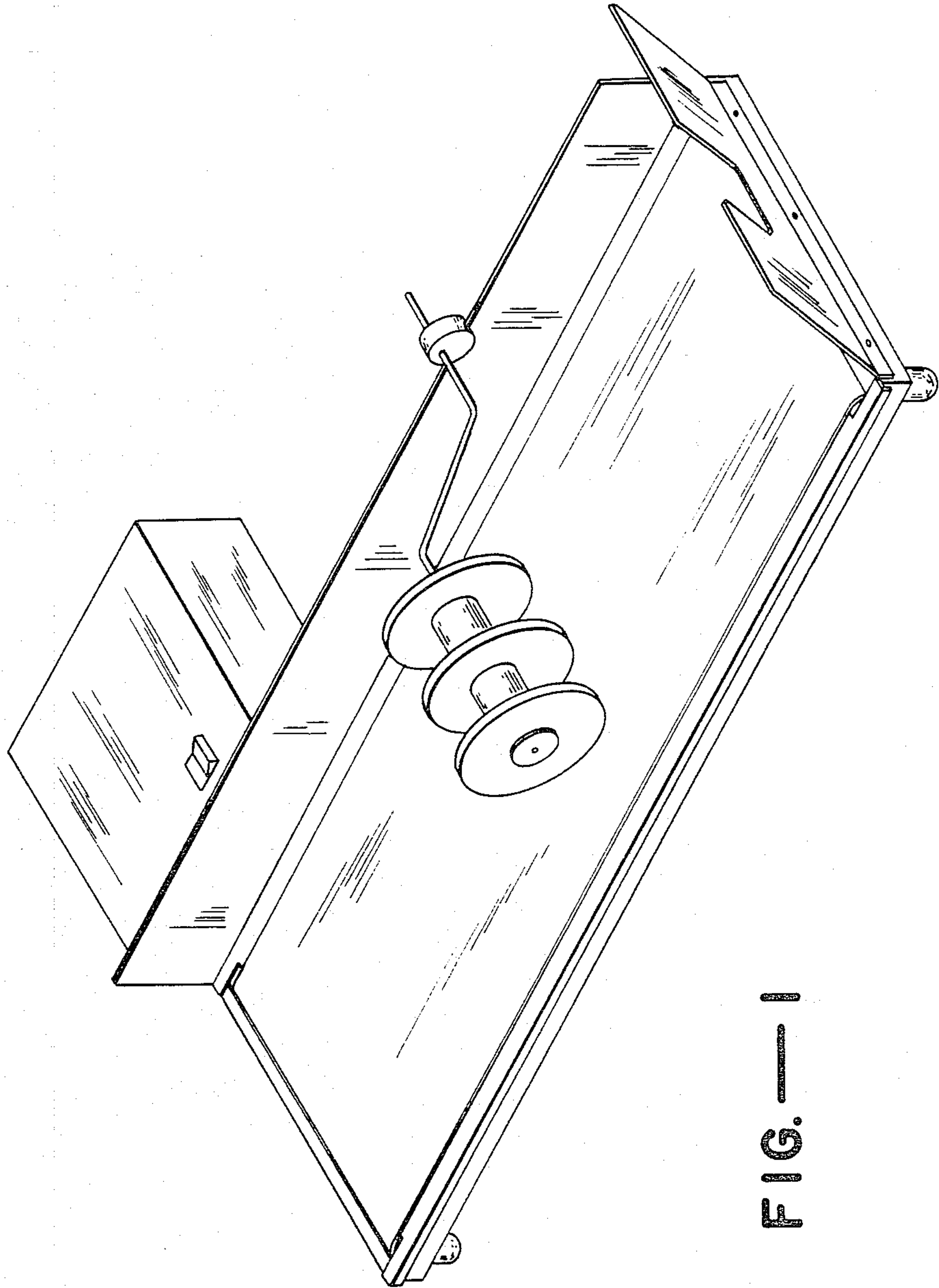


FIG.—1

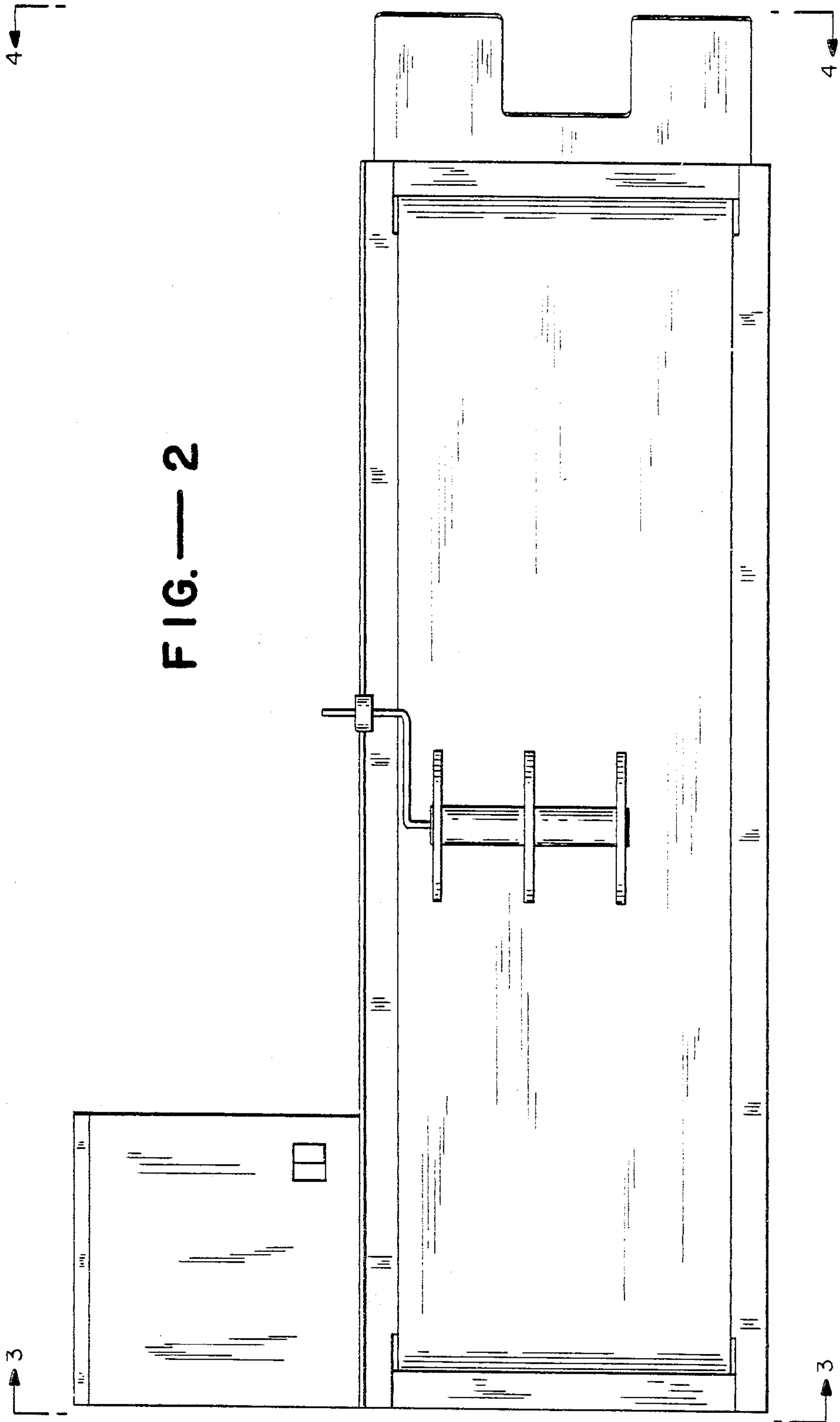


FIG.—2

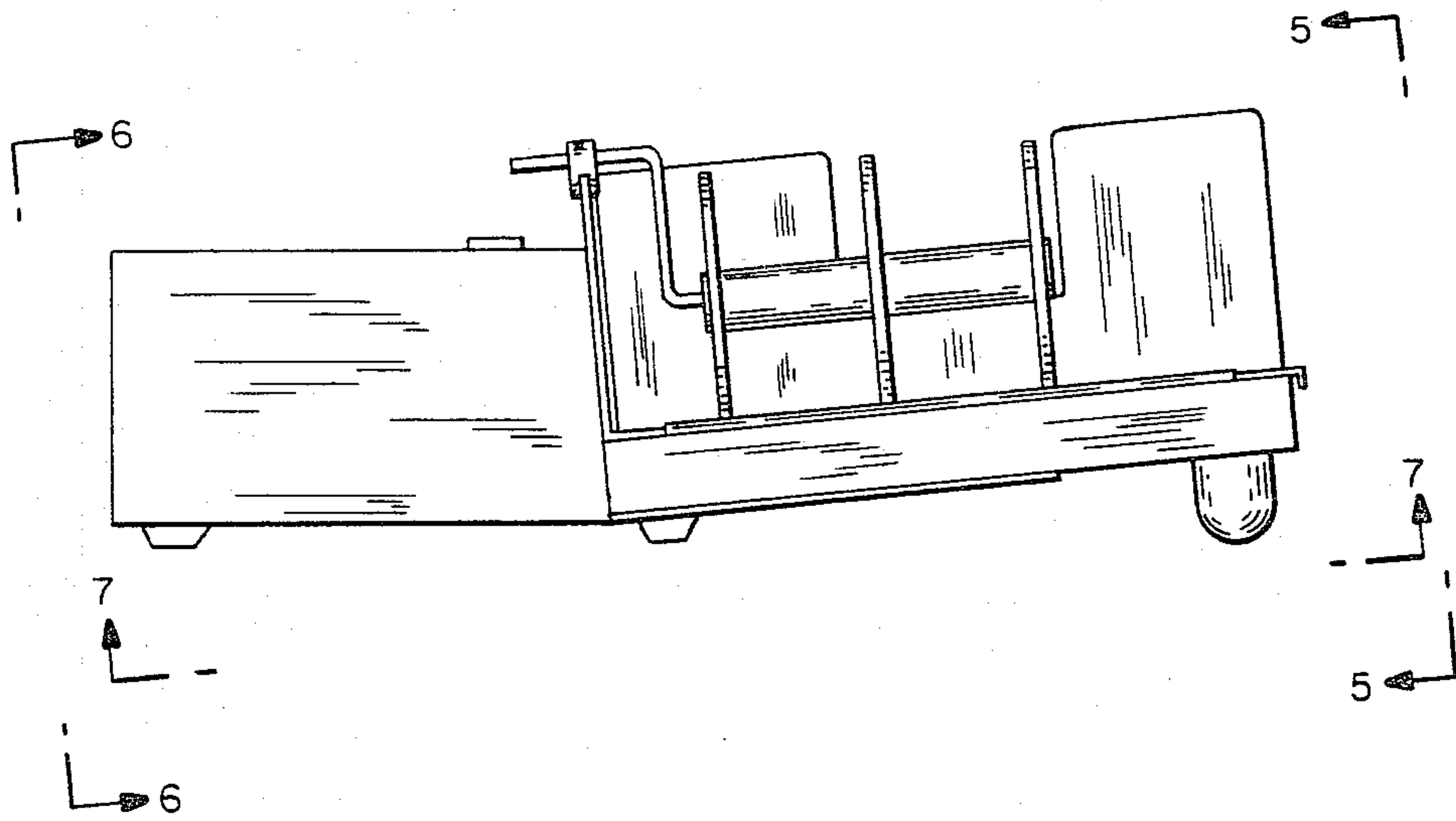


FIG.—3

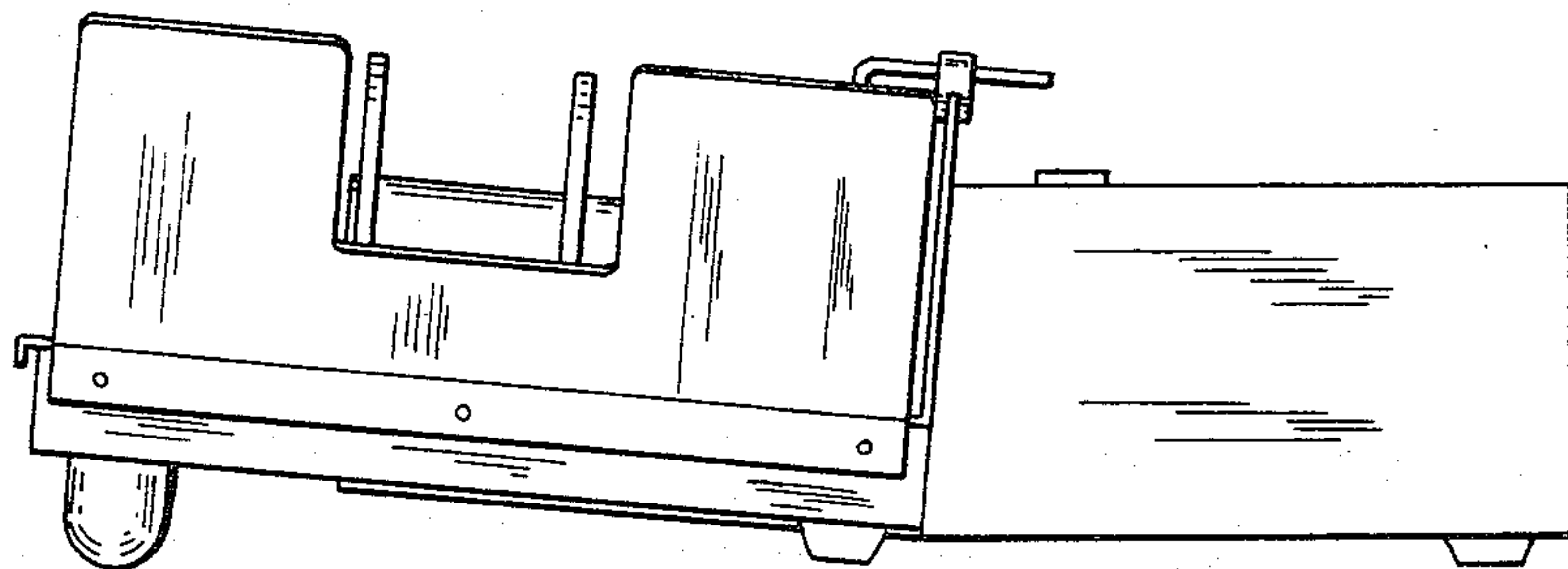


FIG.—4

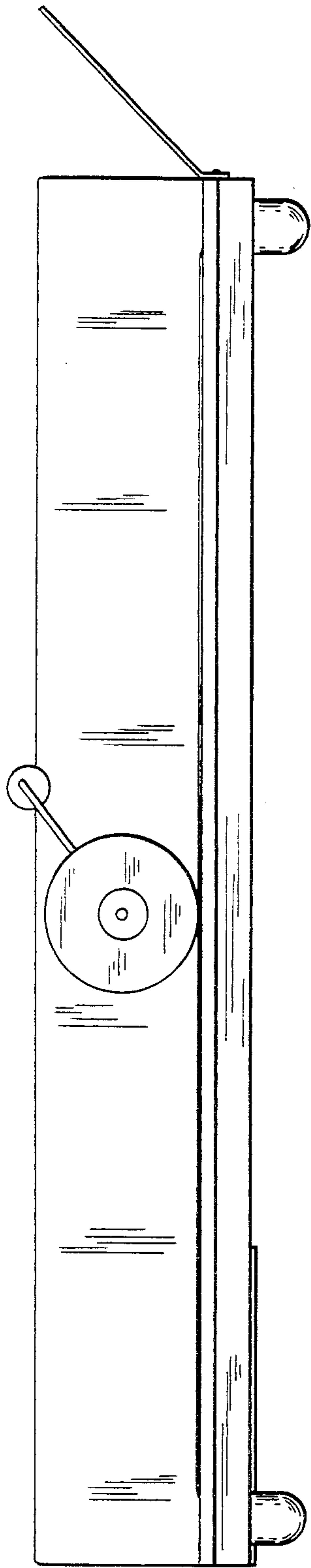


FIG.—5

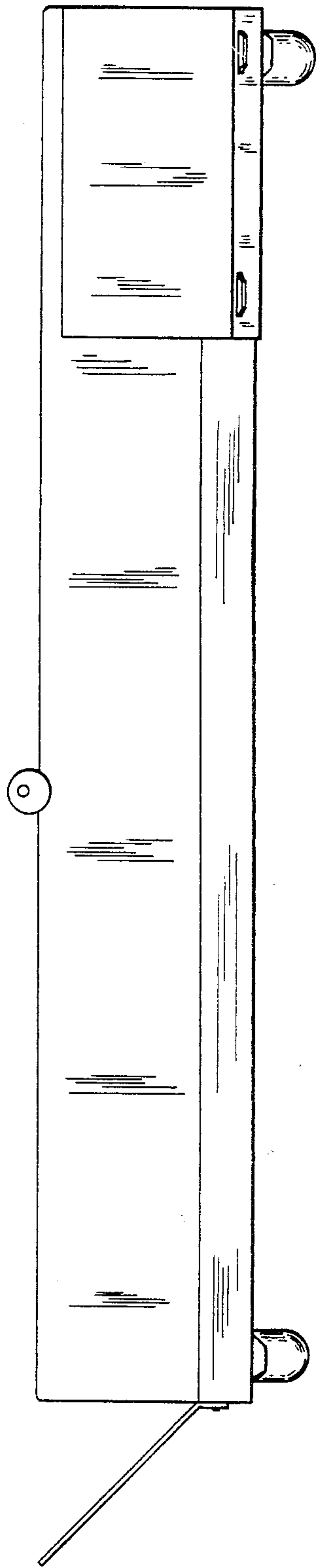


FIG.—6

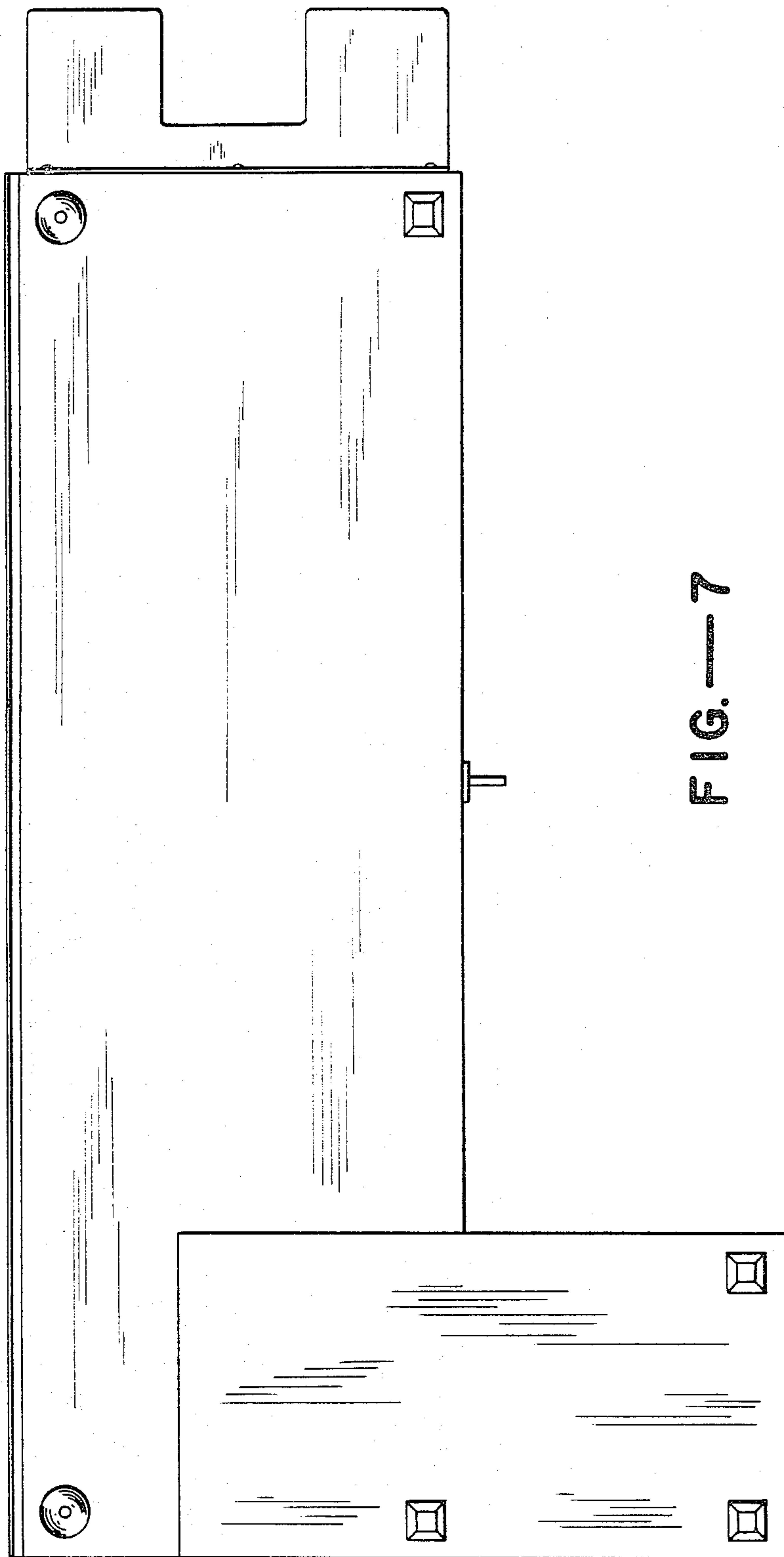


FIG. 7