

[54] TYPEWRITER

[75] Inventors: Ishin Miyamoto; Yasuo Nagamatsu; Toshiya Moriyama; Masaharu Sakamoto, all of Fukuoka, Japan

[73] Assignee: Kyushu Matsushita Electric Co., Ltd., Fukuoka, Japan

[**] Term: 14 Years

[21] Appl. No.: 478,586

[22] Filed: Mar. 24, 1983

[52] U.S. Cl. D18/1

[58] Field of Search D18/1, 2, 12; 400/689-694

[56] References Cited

U.S. PATENT DOCUMENTS

- D. 261,002 9/1981 Giannotti, Jr. et al. D18/1
- D. 273,117 3/1984 Kasagi et al. D18/1

OTHER PUBLICATIONS

IBM Technical Disclosure Bulletin, vol. 24, No. 8, 1/82, p. 4348, *Printer with cover*.

Primary Examiner—Louis S. Zarfes
Attorney, Agent, or Firm—Sughrue, Mion, Zinn, Macpeak and Seas

[57] CLAIM

The ornamental design for a typewriter, as shown and described.

DESCRIPTION

FIG. 1 is a front, top and right side perspective view of a typewriter, showing our new design, with the platen cover pivoted to raised position and the detachable paper sheet guide in place;

FIG. 2 is a rear, bottom and left side perspective view thereof;

FIG. 3 is a front, top and right side perspective view thereof in closed position;

FIG. 4 is a rear, bottom and left side perspective view thereof with the paper guide support in raised position and with the paper guide detached therefrom.

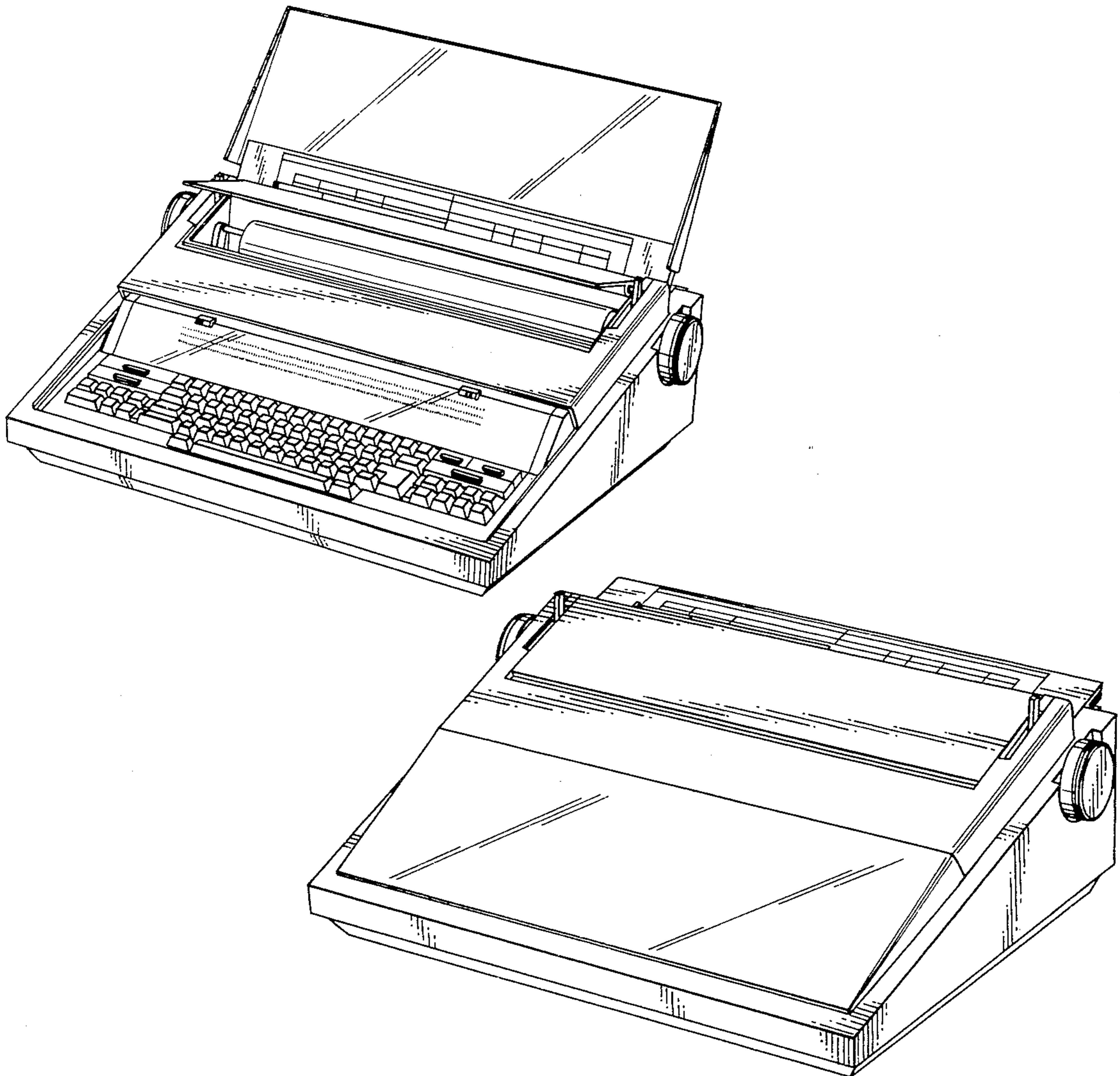


Fig. 1

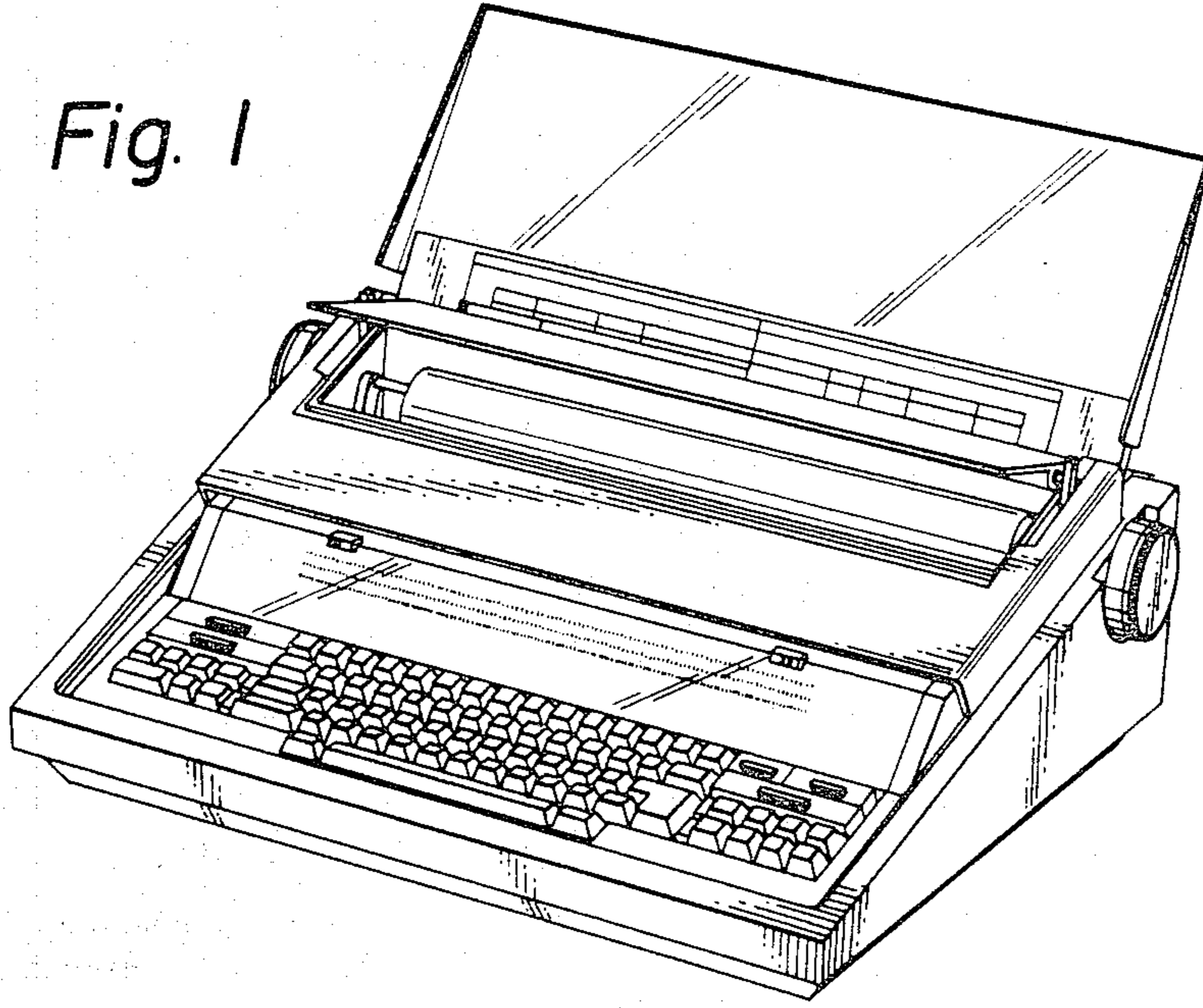


Fig. 2

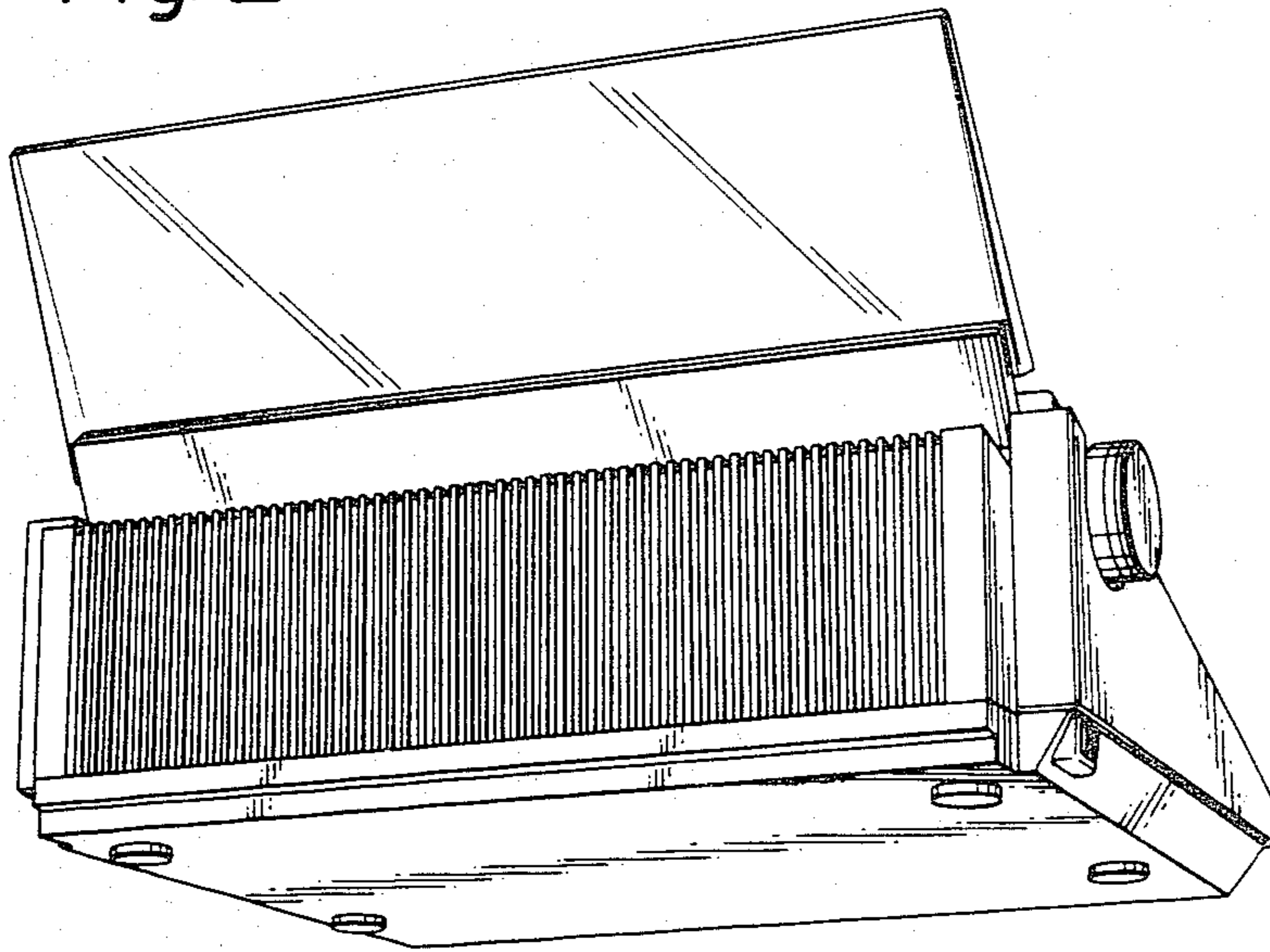


Fig. 3

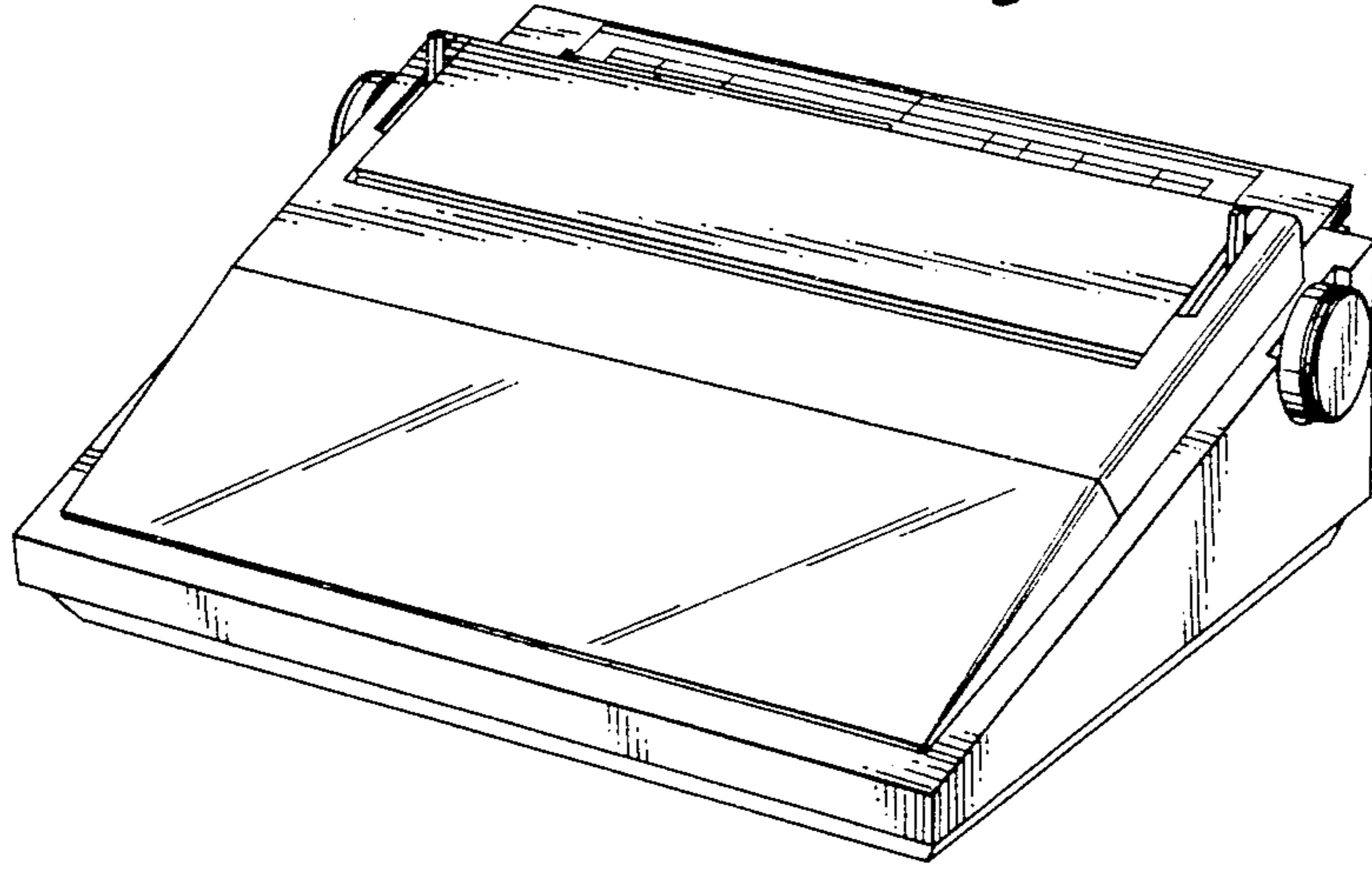


Fig. 4

