

[54] **ELECTROPHOTOGRAPHIC COPIER**

[75] **Inventor: Nobuo Masaki, Tokyo, Japan**

[73] **Assignee: Canon Kabushiki Kaisha, Tokyo, Japan**

[\*\*] **Term: 14 Years**

[21] **Appl. No.: 437,950**

[22] **Filed: Nov. 1, 1982**

[30] **Foreign Application Priority Data**

May 8, 1982 [JP] Japan ..... 57-19815

[52] **U.S. Cl. .... D16/31; D16/30**

[58] **Field of Search .... D16/27-32;  
355/3 R, 8, 11, 14 R, 35 H, 10**

[56] **References Cited**

**U.S. PATENT DOCUMENTS**

D. 222,298	10/1971	Ishii .....	D16/31
D. 239,659	4/1976	Katayama et al. ....	D16/31
D. 261,661	11/1981	Charland et al. ....	D16/32
D. 264,345	5/1982	Masaki et al. ....	D16/31
3,424,526	1/1969	Sacre .....	355/10
3,672,762	6/1972	Suzuki et al. ....	355/10

**OTHER PUBLICATIONS**

Office Products, 7/78, p. 39, Sharpfax 730 Copier.

*Primary Examiner*—Bernard Ansher

*Assistant Examiner*—Terry Pfeffer

*Attorney, Agent, or Firm*—Fitzpatrick, Cella, Harper & Scinto

[57] **CLAIM**

The ornamental design for an electrophotographic copier, as shown and described.

**DESCRIPTION**

FIG. 1 is a front view of an electrophotographic copier showing my new design;

FIG. 2 is a rear view thereof;

FIG. 3 is a top plan view thereof;

FIG. 4 is a bottom plan view thereof;

FIG. 5 is a side elevational view as seen from the left of FIG. 1;

FIG. 6 is a side elevational view as seen from the right of FIG. 1; and

FIG. 7 is a front, top, right side perspective view thereof with the paper dispensing and receiving trays in the operational position.

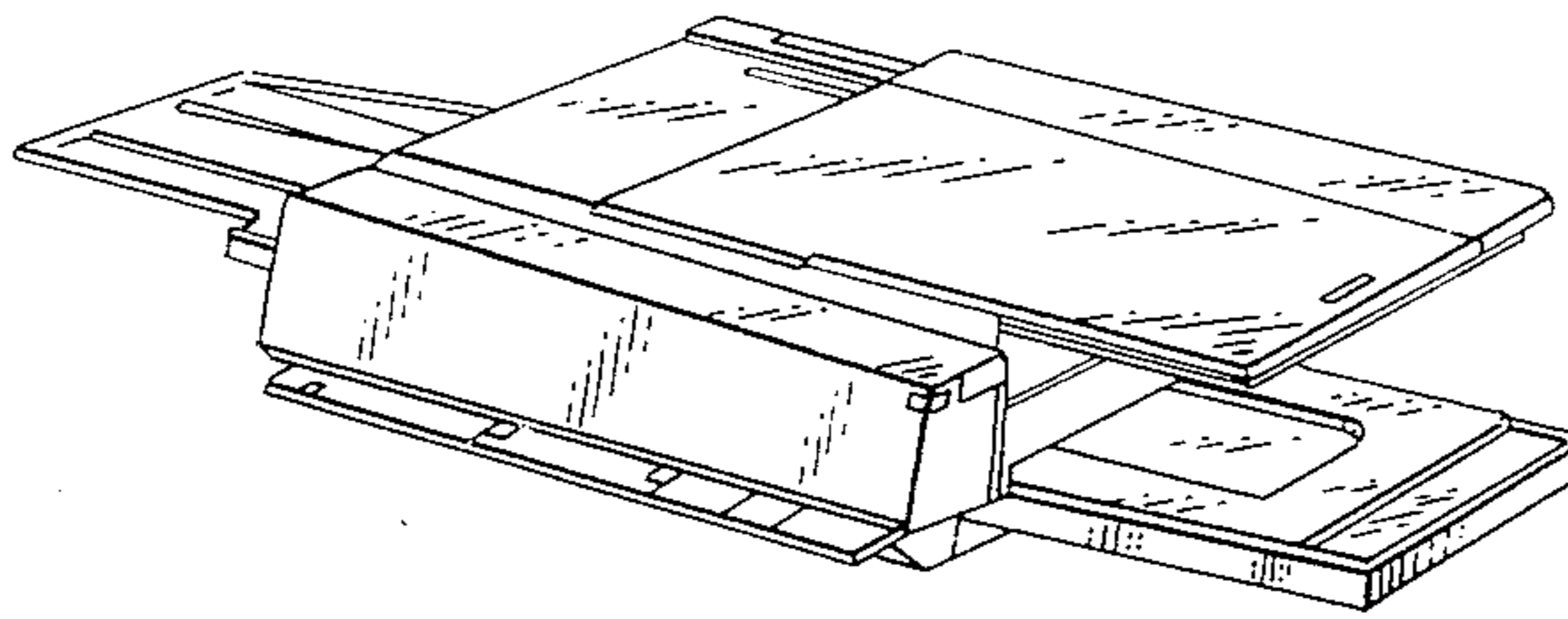


FIG. 1

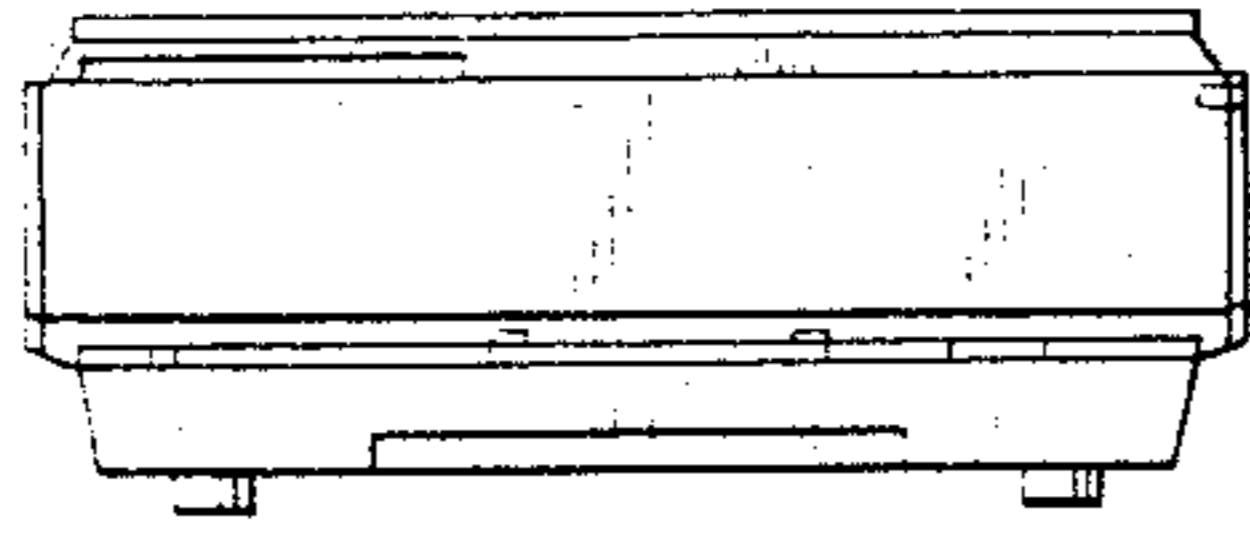


FIG. 2



FIG. 3

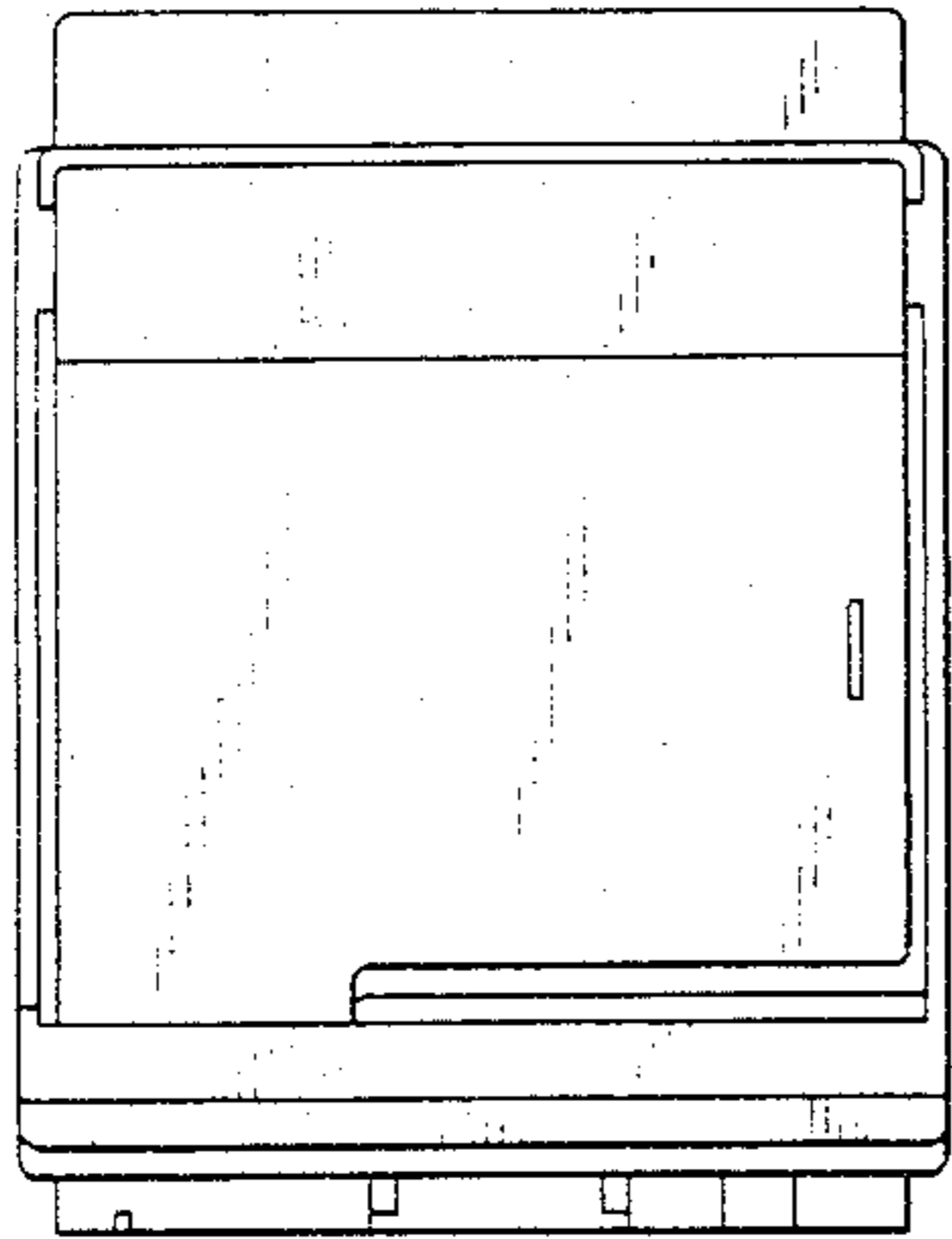


FIG. 4

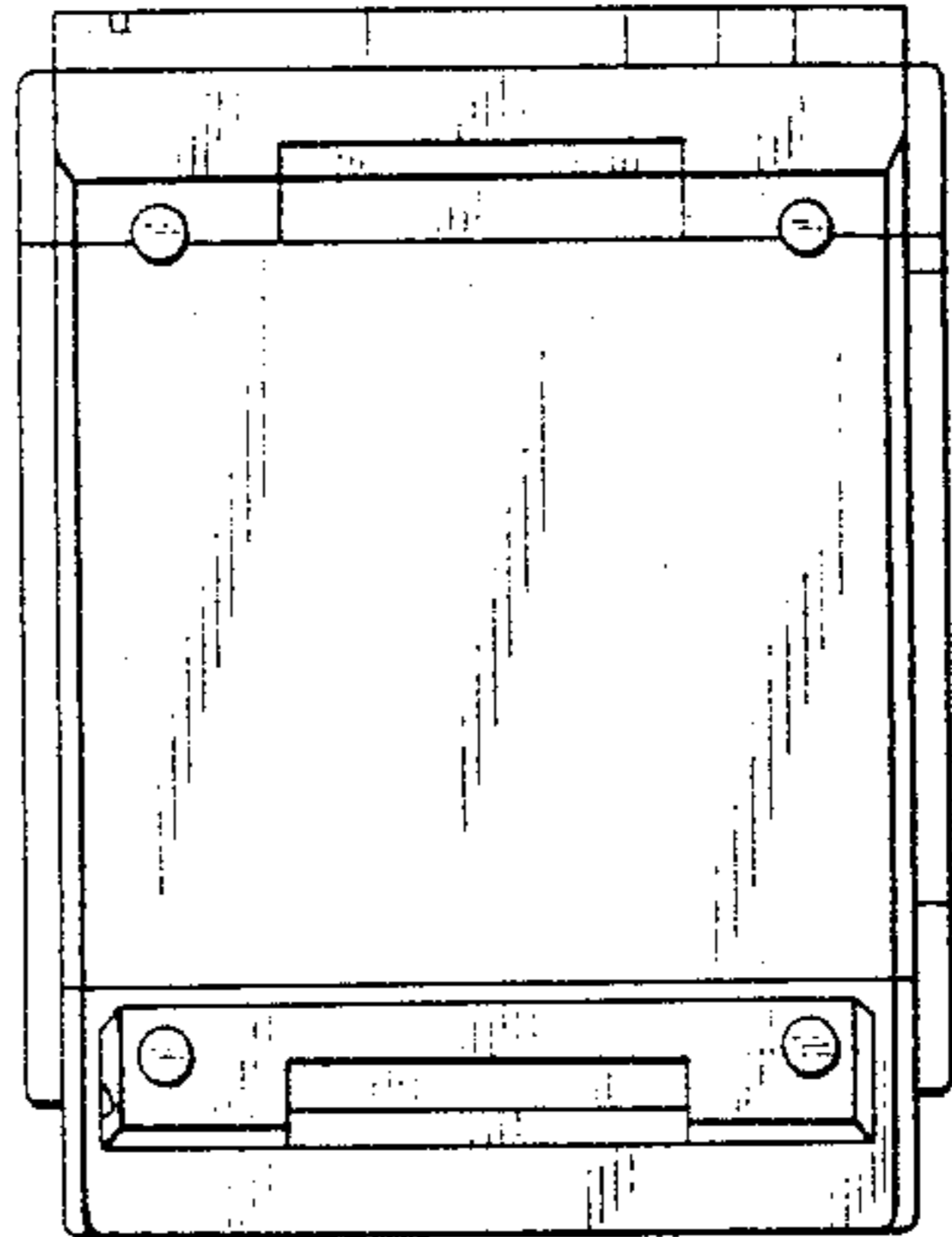


FIG. 5

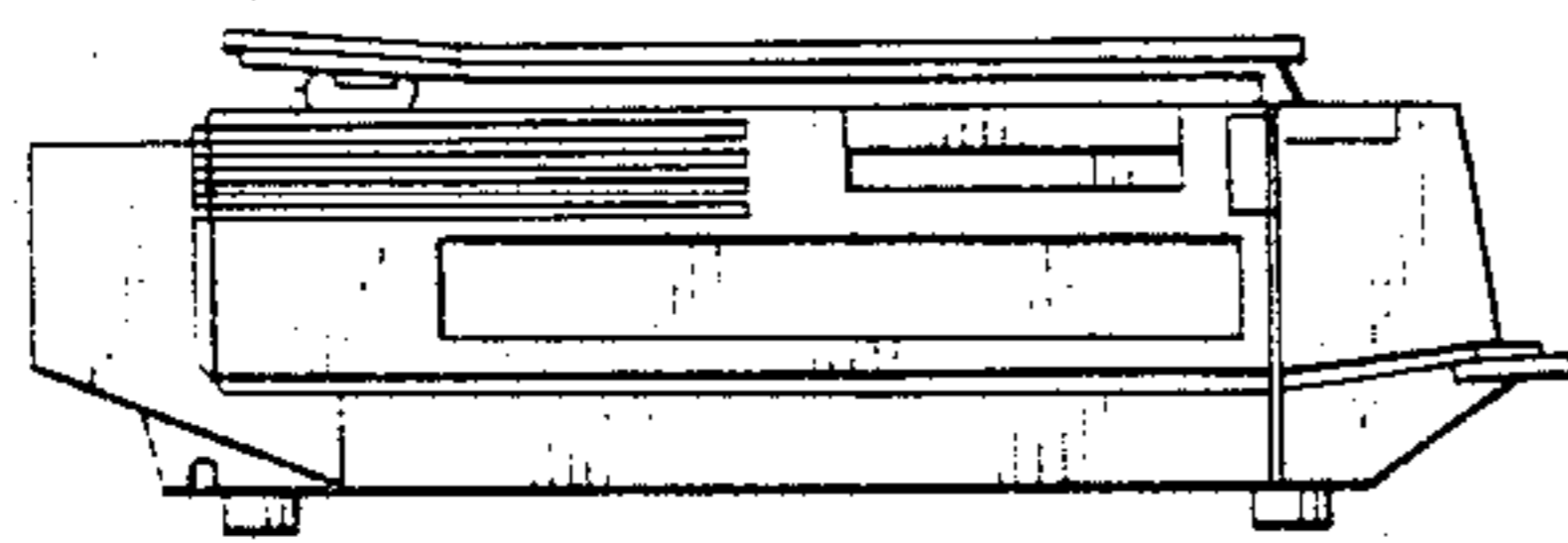


FIG. 6

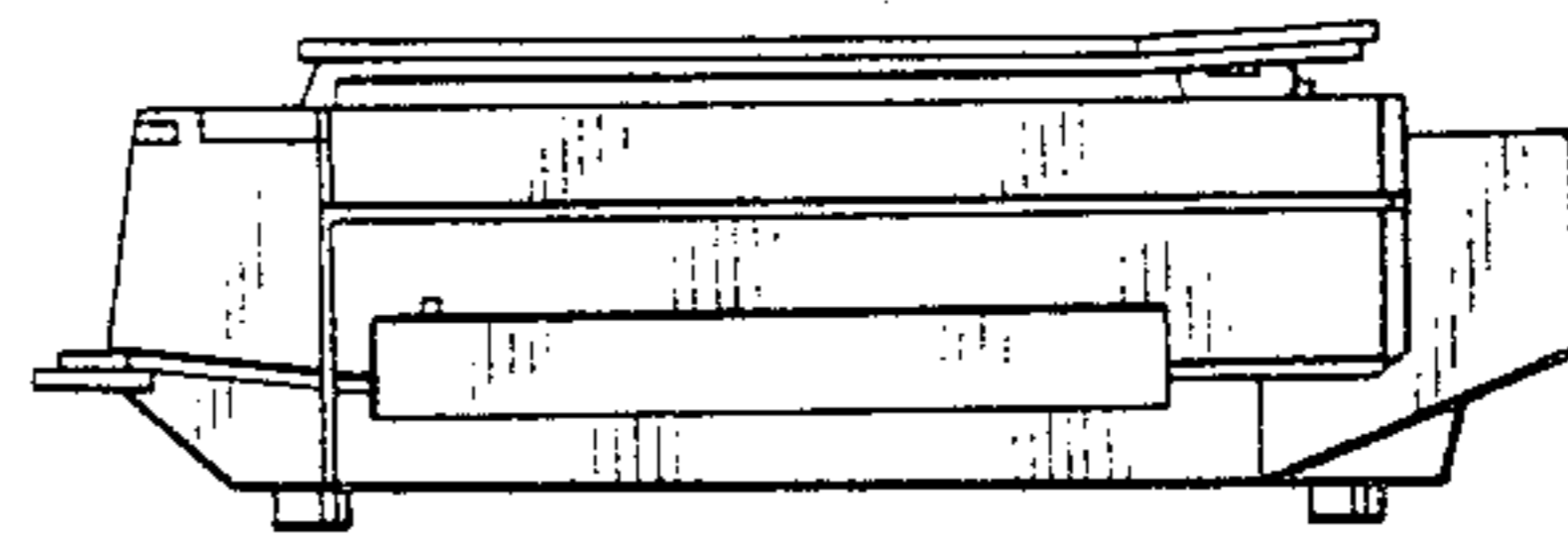


FIG. 7

