

[54] **TIRE INFLATOR**

[75] **Inventor: Ronald L. Boetger, Willoughby, Ohio**

[73] **Assignee: Code Manufacturing, Inc., Willoughby, Ohio**

[**] **Term: 14 Years**

[21] **Appl. No.: 412,154**

[22] **Filed: Aug. 27, 1982**

[52] **U.S. Cl. D15/7; D23/16**

[58] **Field of Search D15/7; D23/6; 251/145, 251/118; 222/3; 141/38**

[56] **References Cited**

U.S. PATENT DOCUMENTS

1,008,646	11/1911	Kassner	141/38
2,498,596	2/1950	Wallach	141/38
2,812,783	11/1957	Bufogle	141/38
2,991,629	7/1961	Rose	141/38

3,448,779	6/1969	Horwitt	141/38
4,168,015	9/1979	Robinette	222/3

Primary Examiner—Wallace R. Burke
Assistant Examiner—Lynn Wilder
Attorney, Agent, or Firm—Watts, Hoffmann, Fisher & Heinke

[57] **CLAIM**

The ornamental design for a tire inflator, as shown and described.

DESCRIPTION

FIG. 1 is a perspective view of a tire inflator showing my new design;
FIG. 2 is a front end elevational view thereof;
FIG. 3 is a rear end elevational view thereof;
FIG. 4 is a bottom plan view thereof;
FIG. 5 is a top plan view thereof; and
FIG. 6 is a side elevational view thereof.
The cord in FIGS. 2-6 is shown fragmentarily for ease of illustration.

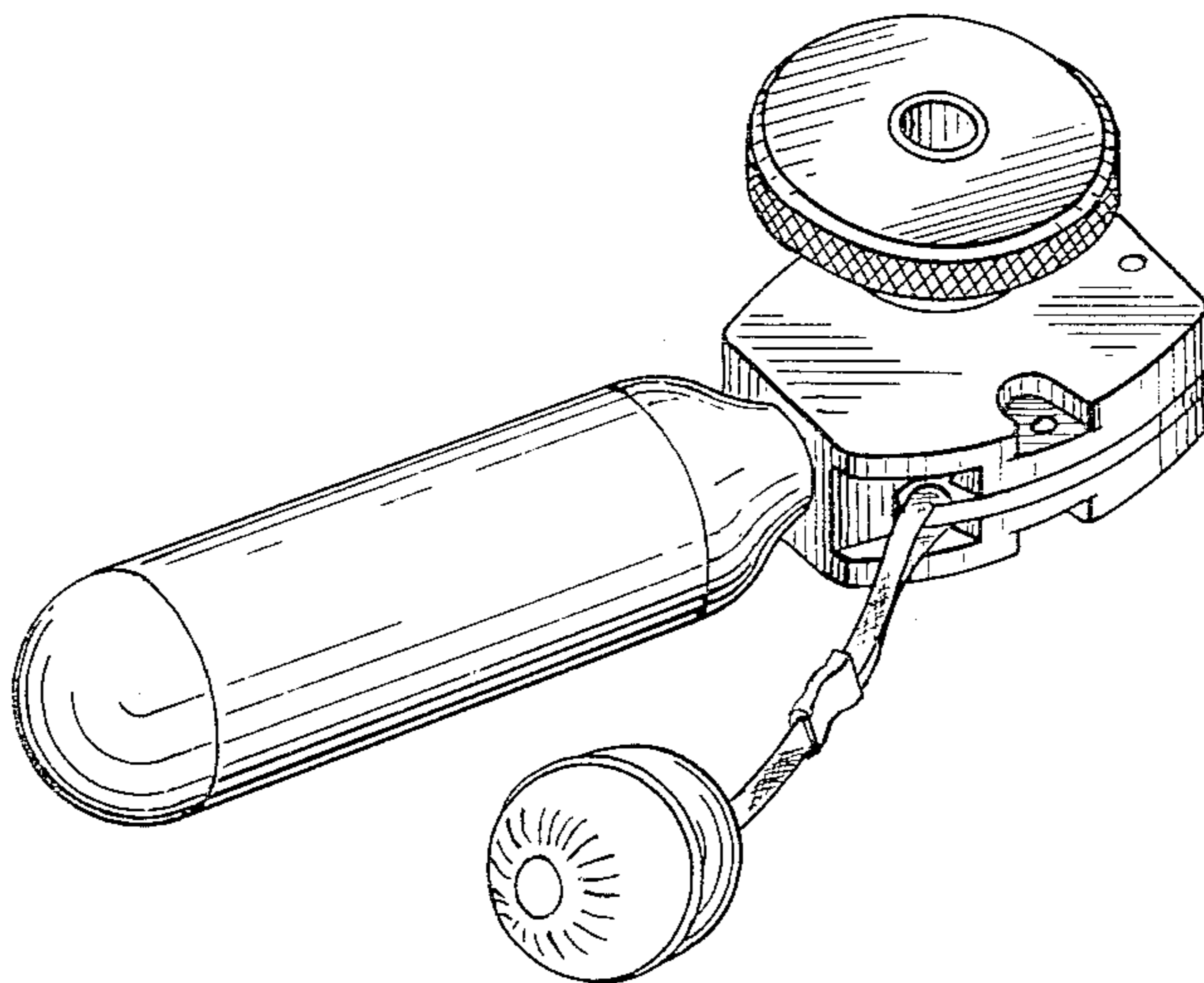


Fig. 1

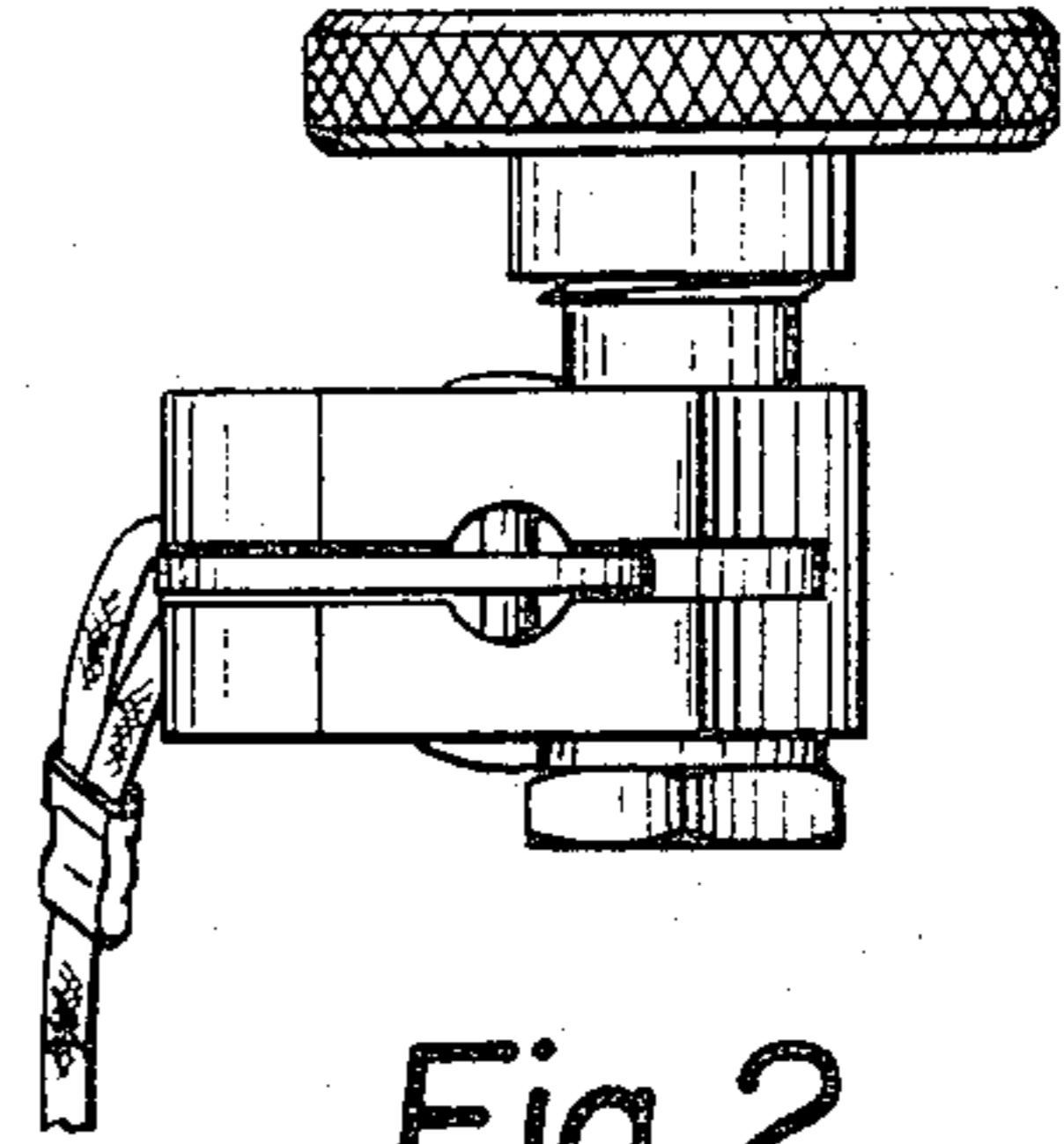
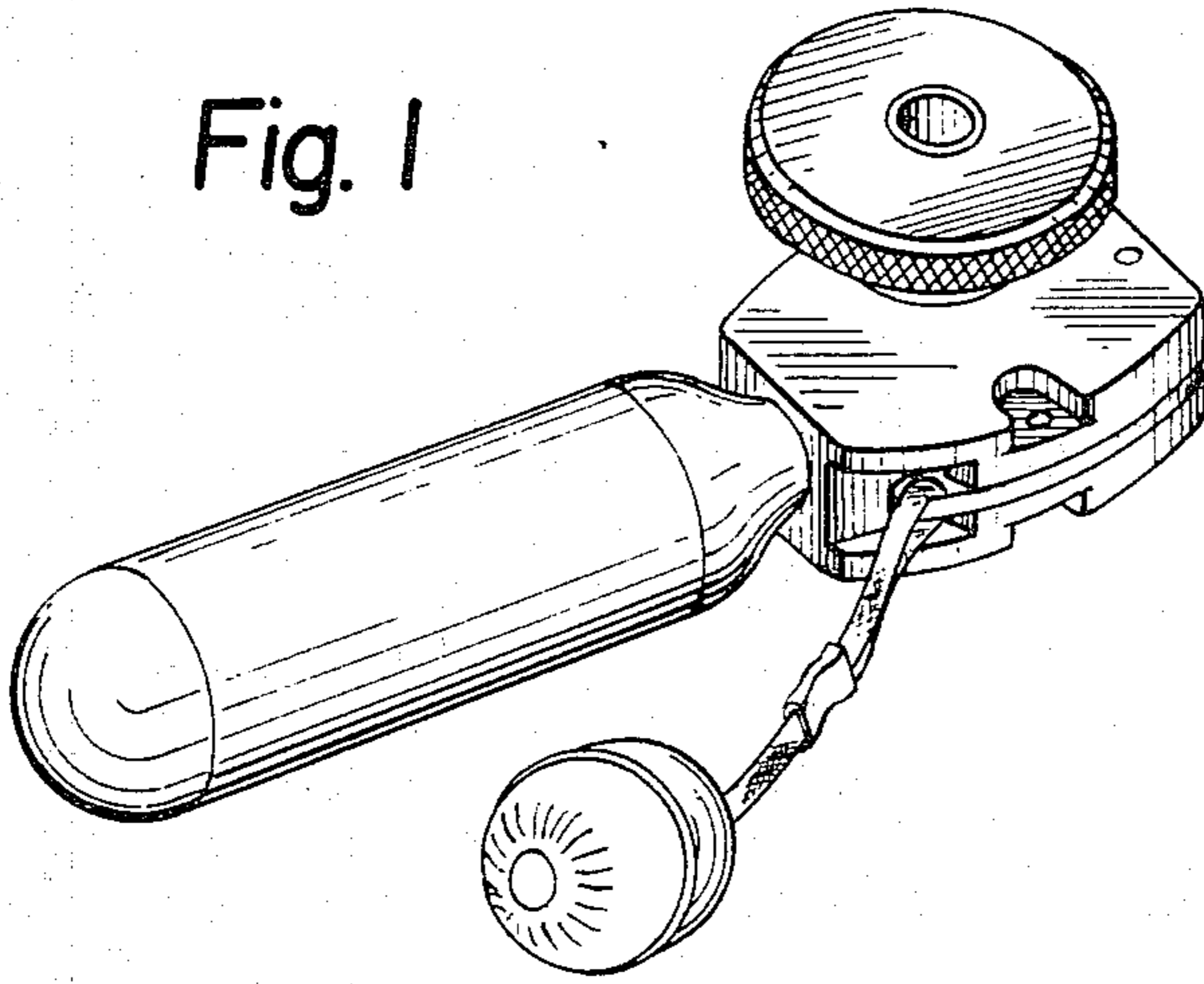


Fig. 2

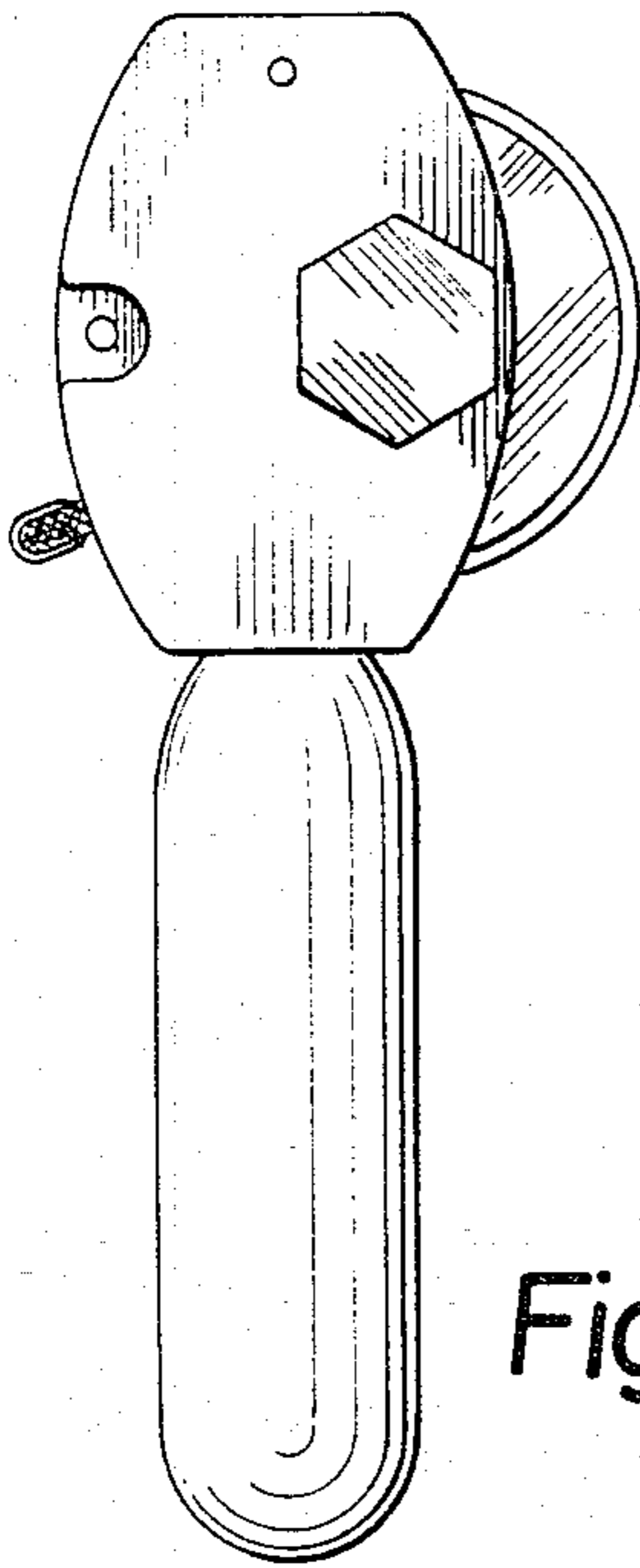


Fig. 4

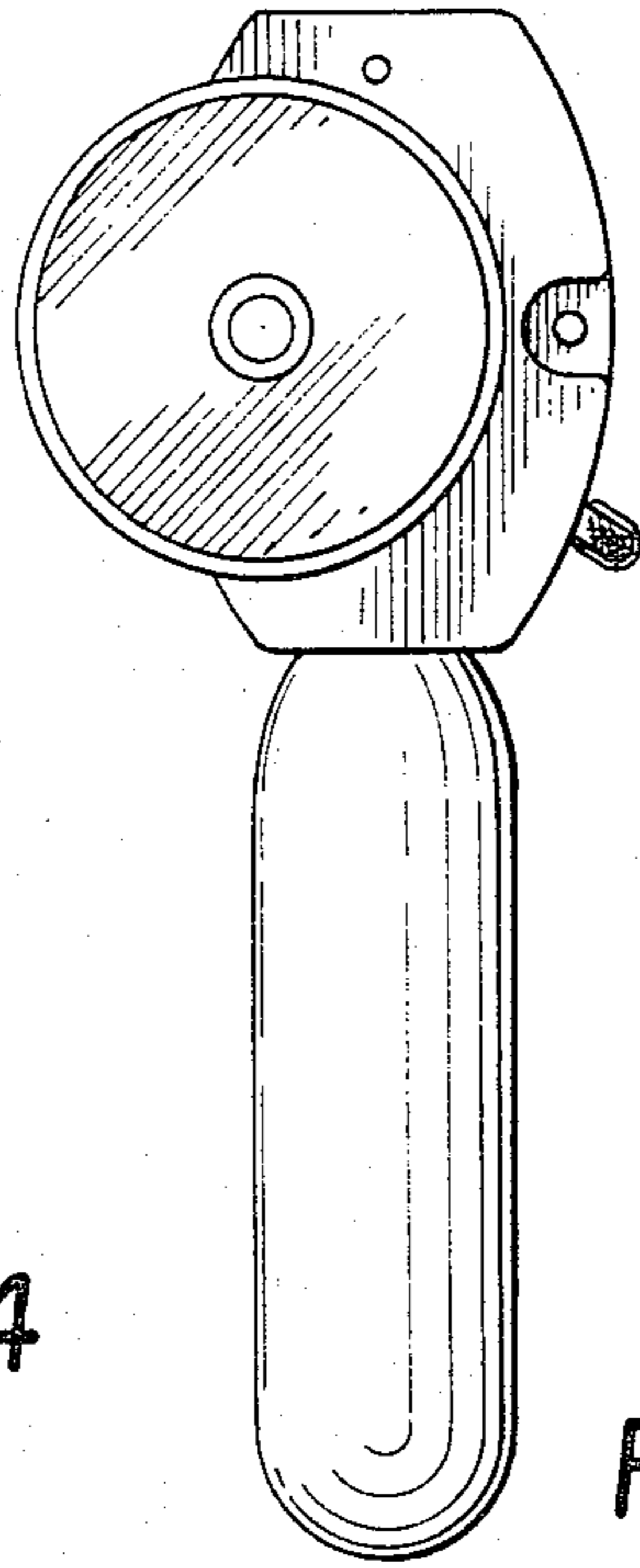


Fig. 5

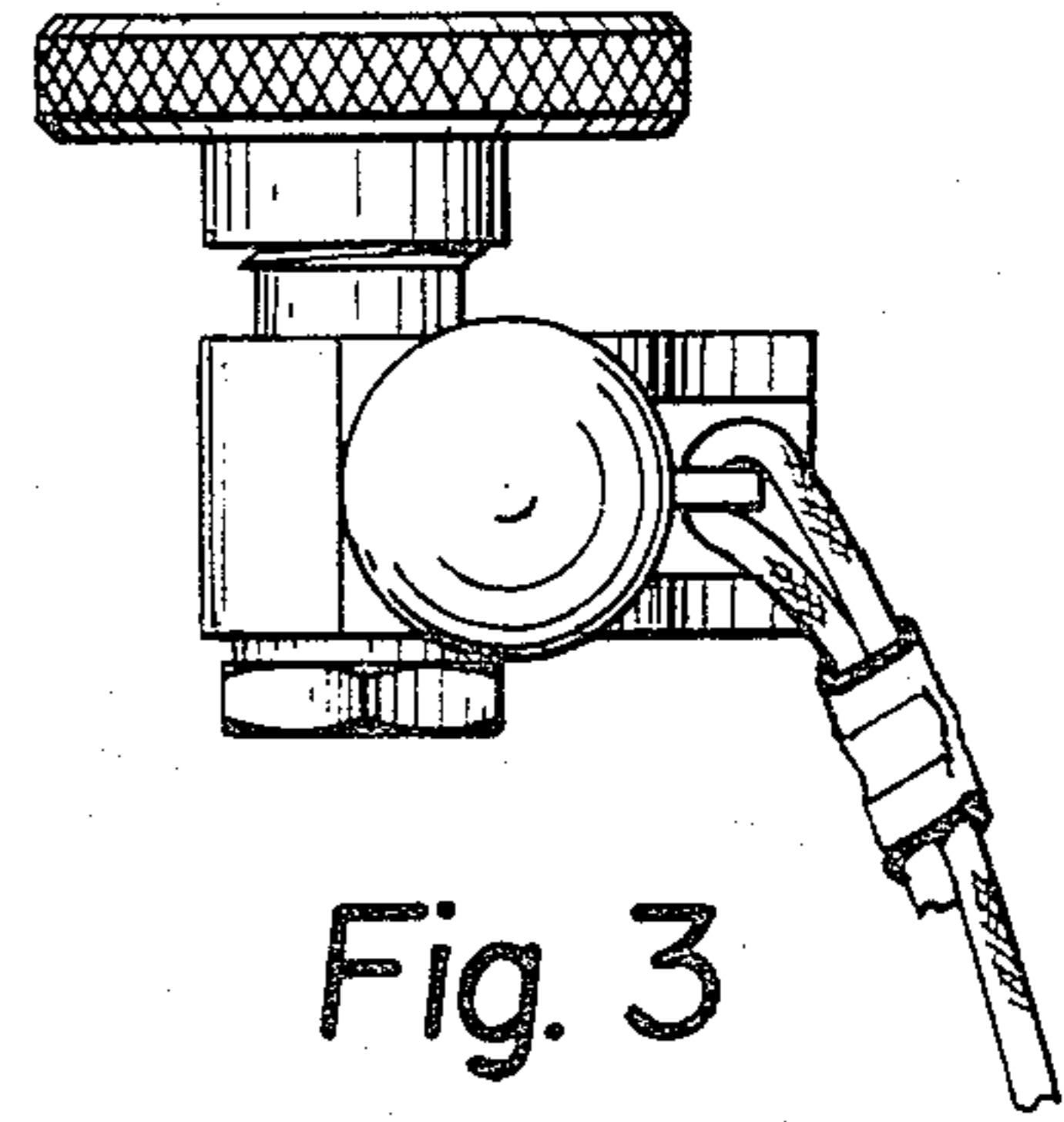


Fig. 3

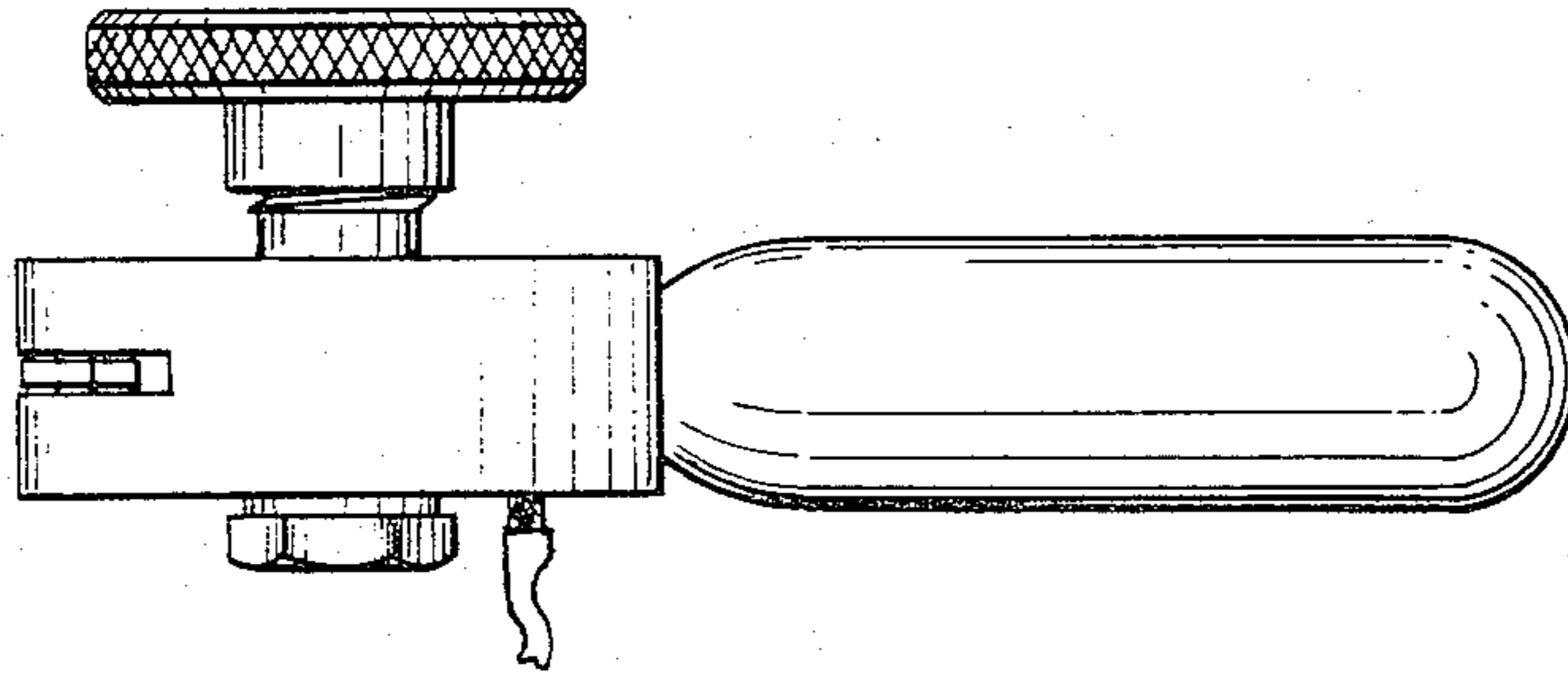


Fig. 6