

[54] CAMERA FOR VIDEO TAPE RECORDER

[75] Inventors: Koya Kurokawa; Noriyuki Arai, both of Ehime, Japan

[73] Assignee: Matsushita Electric Industrial Co., Ltd., Osaka, Japan

[**] Term: 14 Years

[21] Appl. No.: 426,035

[22] Filed: Sep. 28, 1982

[30] Foreign Application Priority Data

Apr. 1, 1982 [JP] Japan 57-13980

[52] U.S. Cl. D14/78; D14/84; D16/4

[58] Field of Search D14/78, 84; 352/243, 352/242, 72; 354/293, 82; D16/4

[56] References Cited

U.S. PATENT DOCUMENTS

D. 241,738	10/1976	Lee et al.	D14/78
D. 244,933	7/1977	Yatabe et al.	D16/4
D. 260,647	9/1981	Saeki et al.	D14/78
3,504,965	4/1970	Lustig	352/242
3,893,144	7/1975	Funderburk	354/293

OTHER PUBLICATIONS

Best Catalog, 1980, p. 312, Item A.
Bell Catalog, 1980, p. 258, Items D, E, F & G.

Primary Examiner—Melvin B. Feifer
Assistant Examiner—Terry Pfeffer
Attorney, Agent, or Firm—Sughrue, Mion, Zinn, Macpeak & Seas

[57] CLAIM

The ornamental design for camera for video tape recorder, as shown and described.

DESCRIPTION

FIG. 1 is a front, top and right side perspective view of a camera for video tape recorder showing our new design;

FIG. 2 is a rear, bottom and left side perspective view thereof;

FIG. 3 is a front elevational view thereof, with the handle in an upward position;

FIG. 4 is a rear elevational view thereof, with the handle in an upward position;

FIG. 5 is a front, top and right perspective view thereof, with the view finder detached and the handle in an upward position.

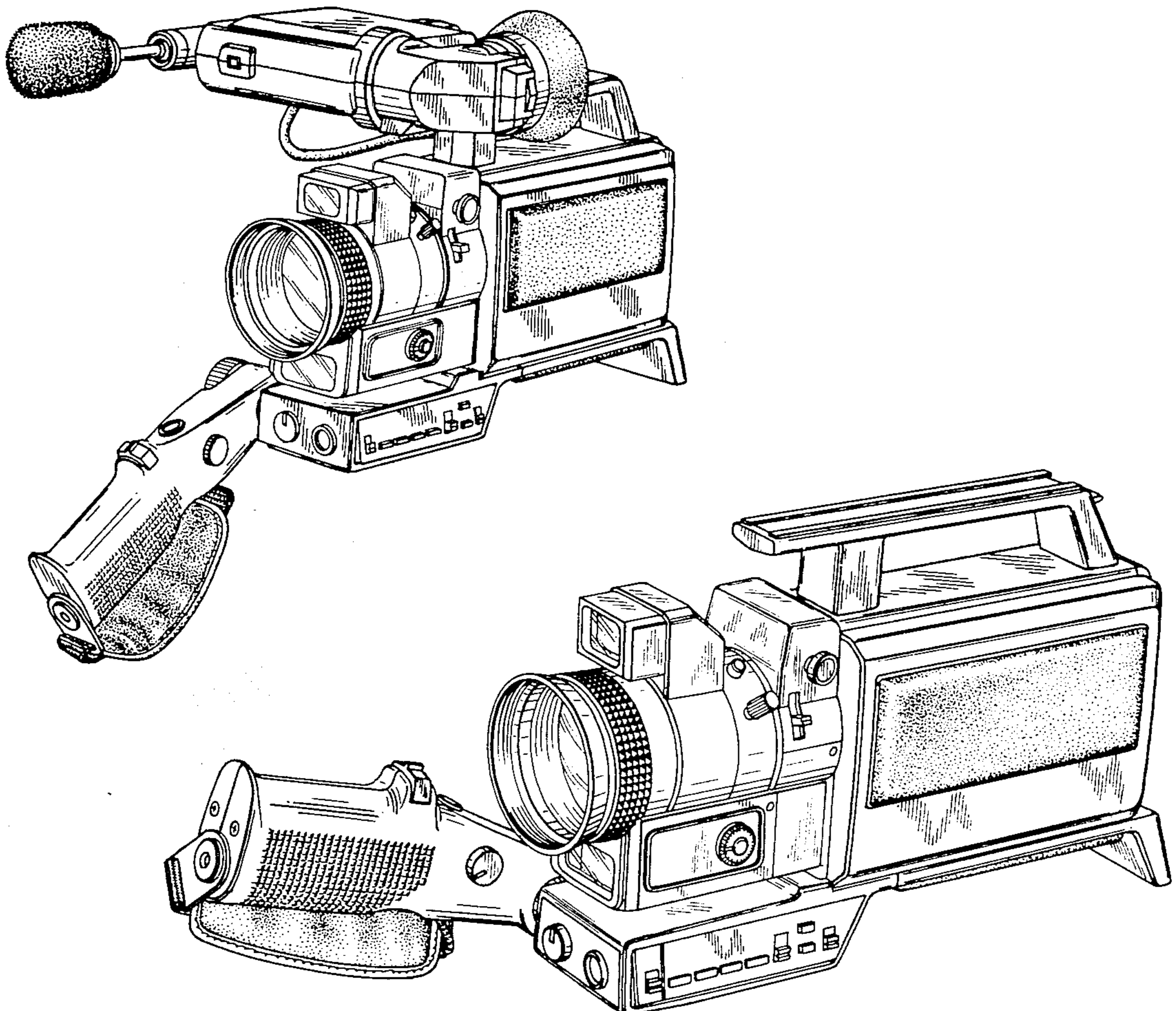


FIG. 1

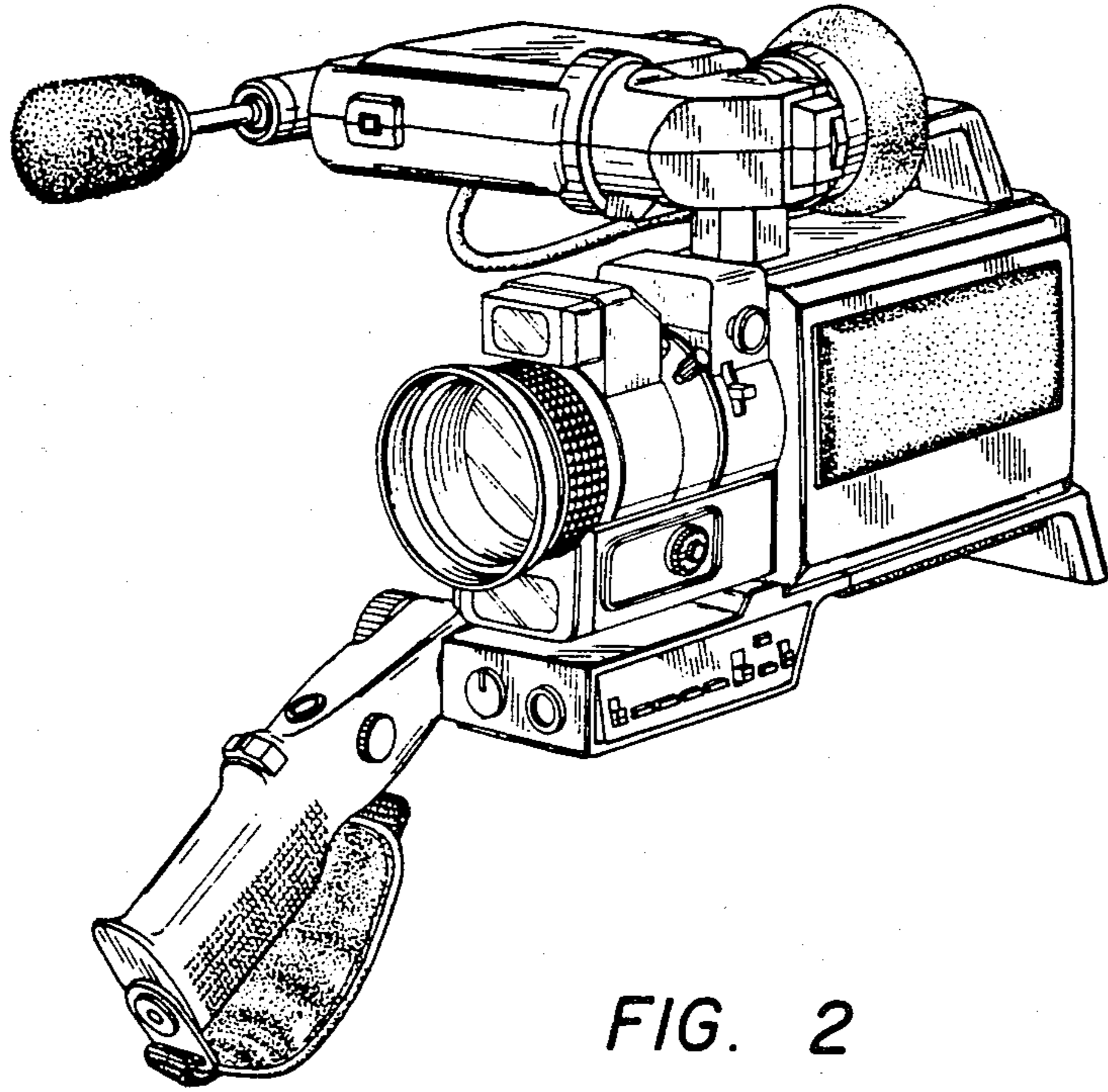


FIG. 2

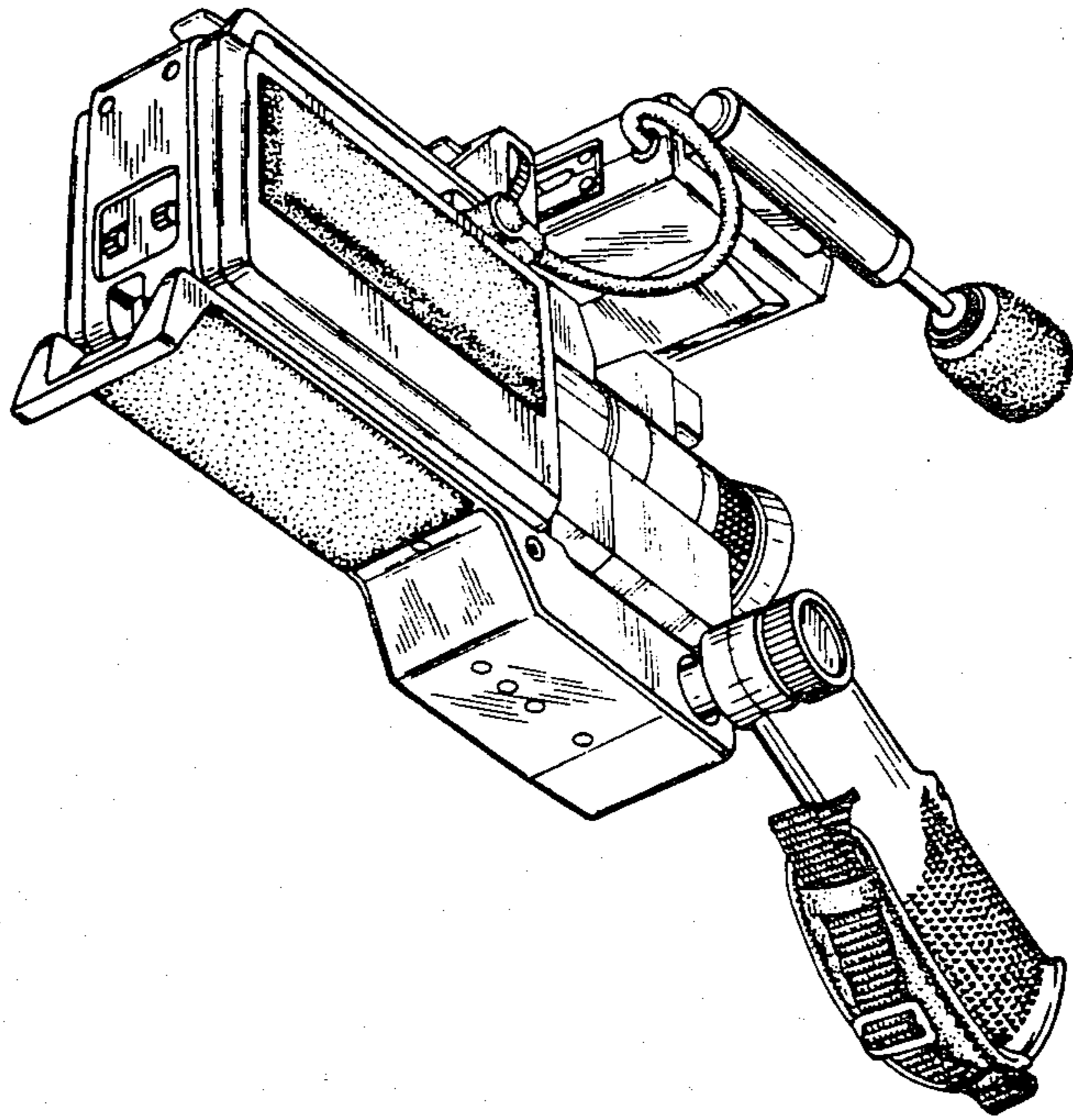


FIG. 3

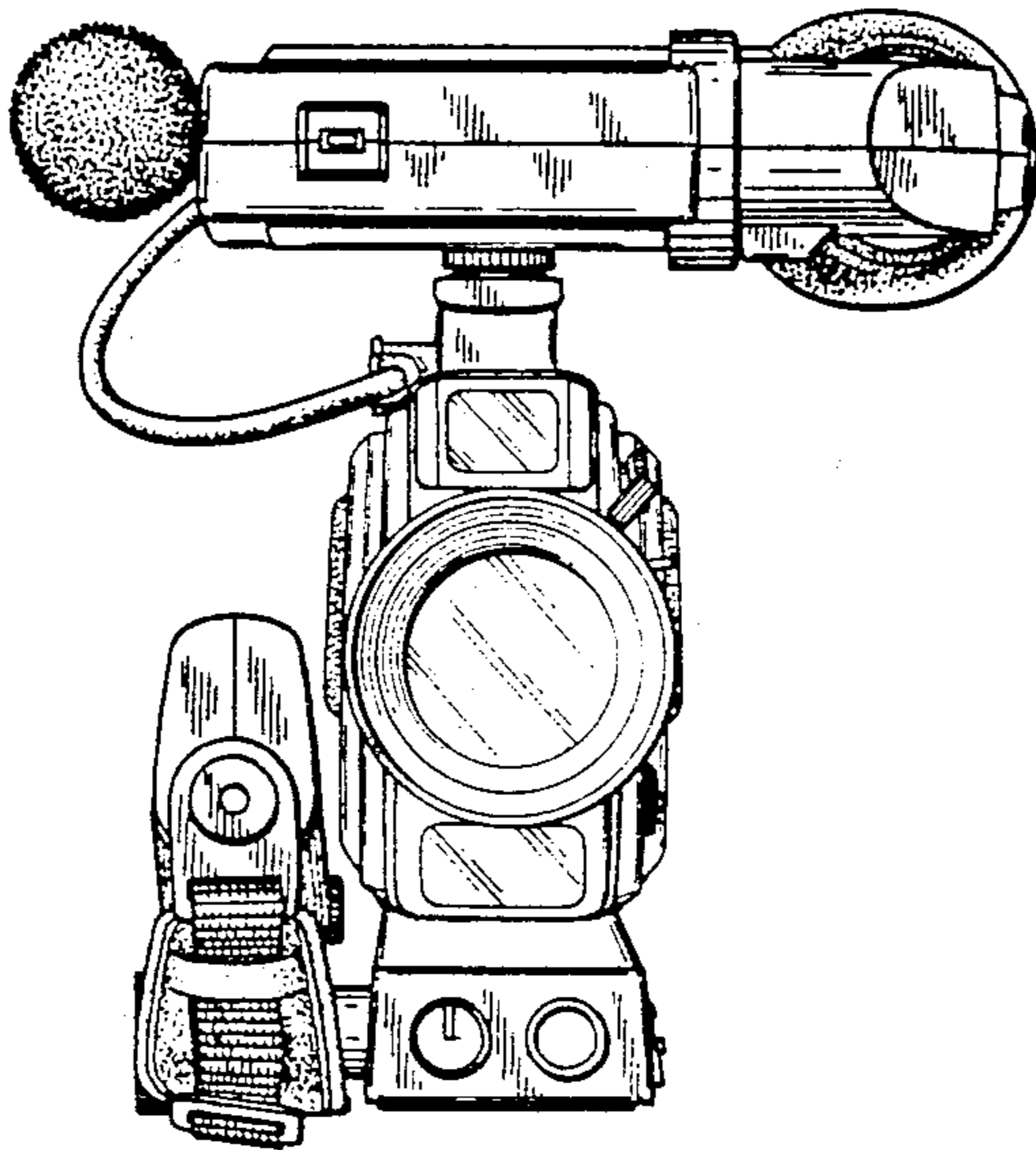


FIG. 4

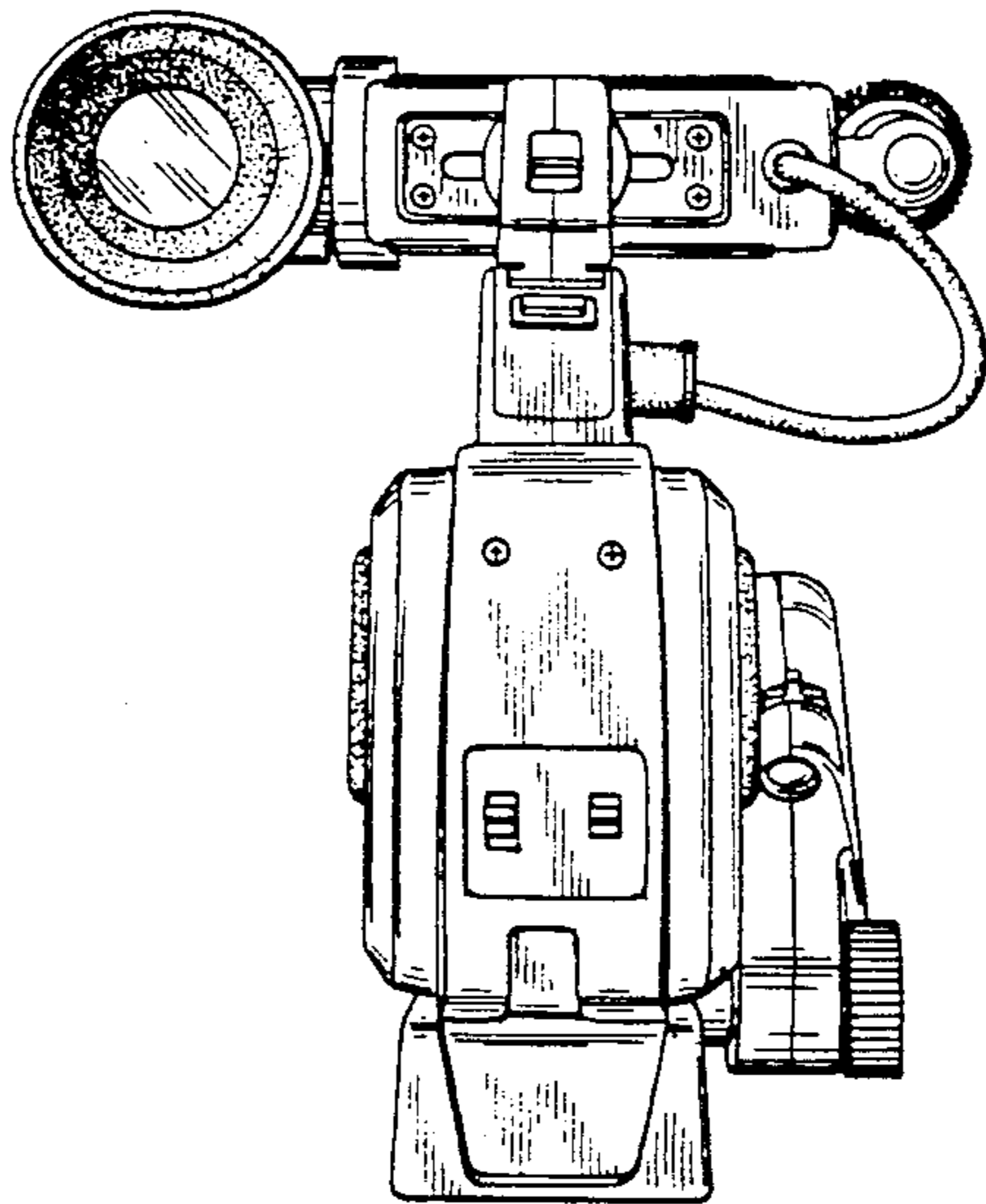


FIG. 5

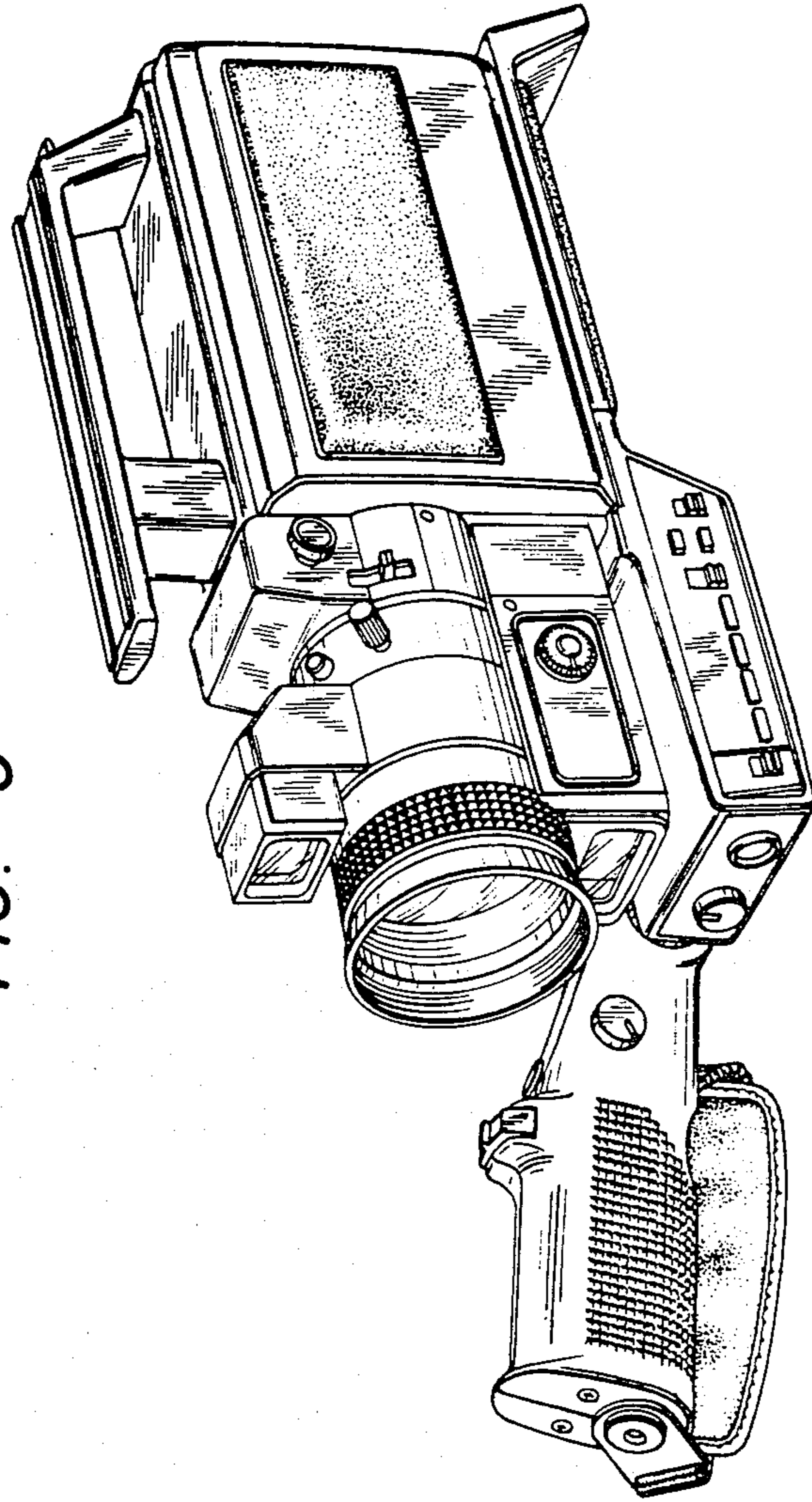


FIG. 6

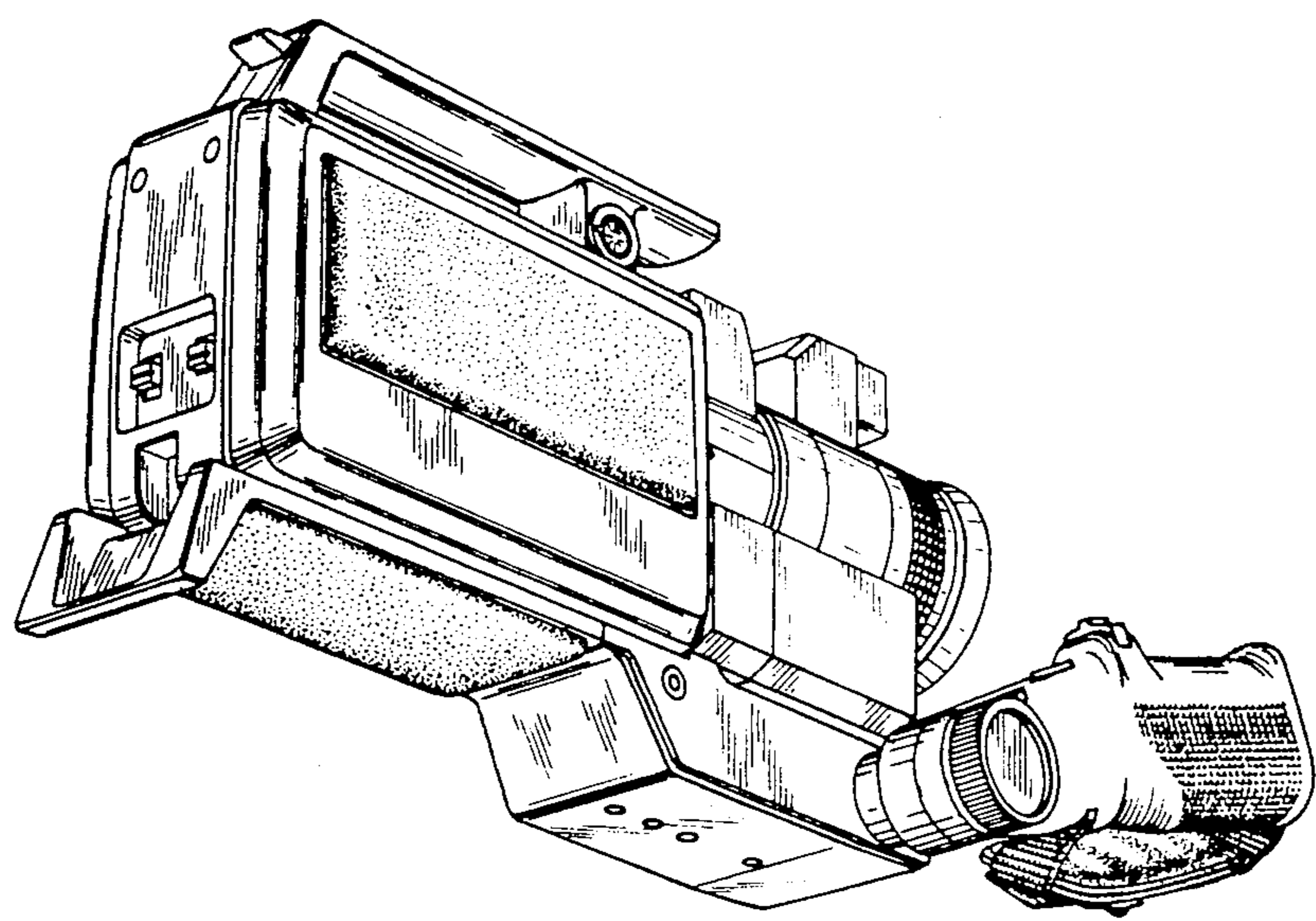


FIG. 7

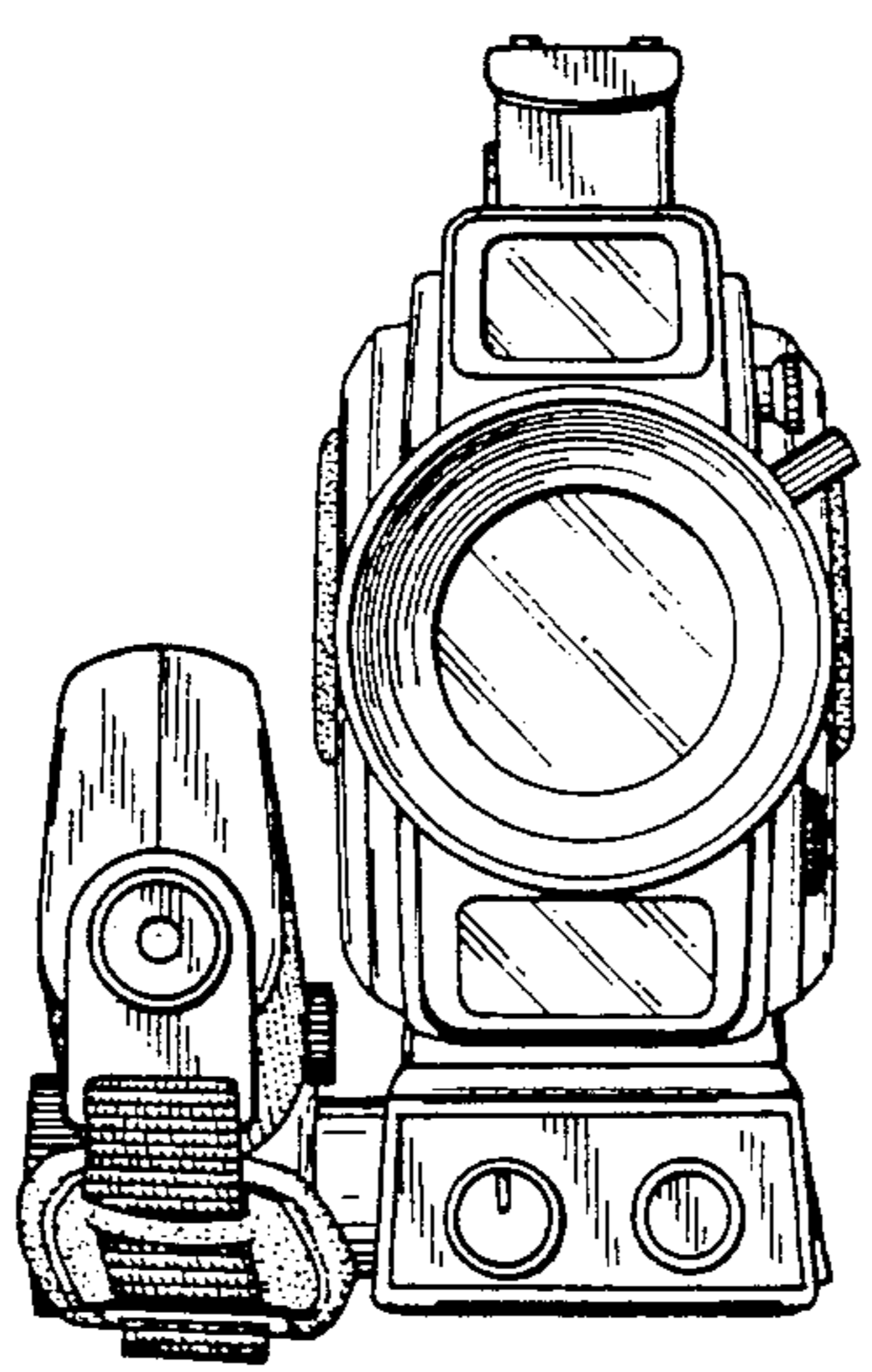


FIG. 8

