

[54] KNIFE HOLDER FOR KNIFE SHARPENER

[76] Inventor: Arthur L. LeVine, P.O. Box 800, Williamsville, N.Y. 14221

[**] Term: 14 Years

[21] Appl. No.: 423,478

[22] Filed: Sep. 24, 1982

[52] U.S. Cl. D8/71; D8/93

[58] Field of Search D8/90, 91, 92, 93, 94; D15/124, 125, 126; 51/204 R, 205 R, 206.4, 214, 205 WG, 363, 391, 392, 393; 76/82, 82.2, 84; 269/3

[56] References Cited

U.S. PATENT DOCUMENTS

3,819,170	6/1974	Longbrake	51/69 X
4,170,343	10/1979	Longbrake	D8/93 X
4,404,873	9/1983	Radish	269/3 X

OTHER PUBLICATIONS

Guns & Ammo Publication, 1981, p. 95/EZ Sharp, Knife Sharpener Ad; D8-93.

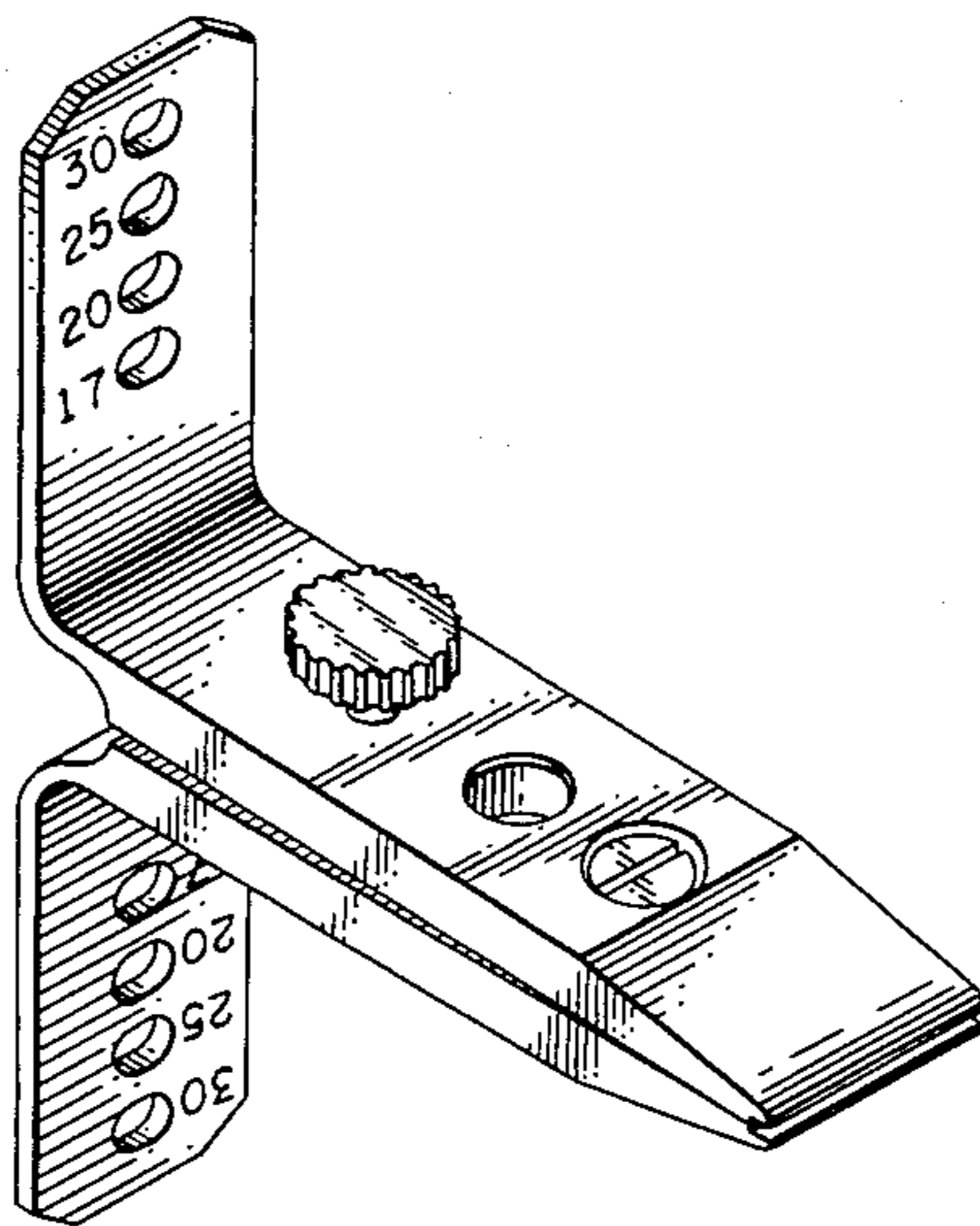
Primary Examiner—Susan J. Lucas
Assistant Examiner—Clare E. Heflin
Attorney, Agent, or Firm—Joseph P. Gastel

[57] CLAIM

The ornamental design for a knife holder for knife sharpener, substantially as shown and described.

DESCRIPTION

FIG. 1 is a perspective view of the knife holder for knife sharpener showing my new design;
FIG. 2 is a side elevational view thereof, the opposite side being substantially the same;
FIG. 3 is a front elevational view thereof;
FIG. 4 is a rear elevational view thereof;
FIG. 5 is a top plan view thereof;
FIG. 6 is a bottom plan view thereof.



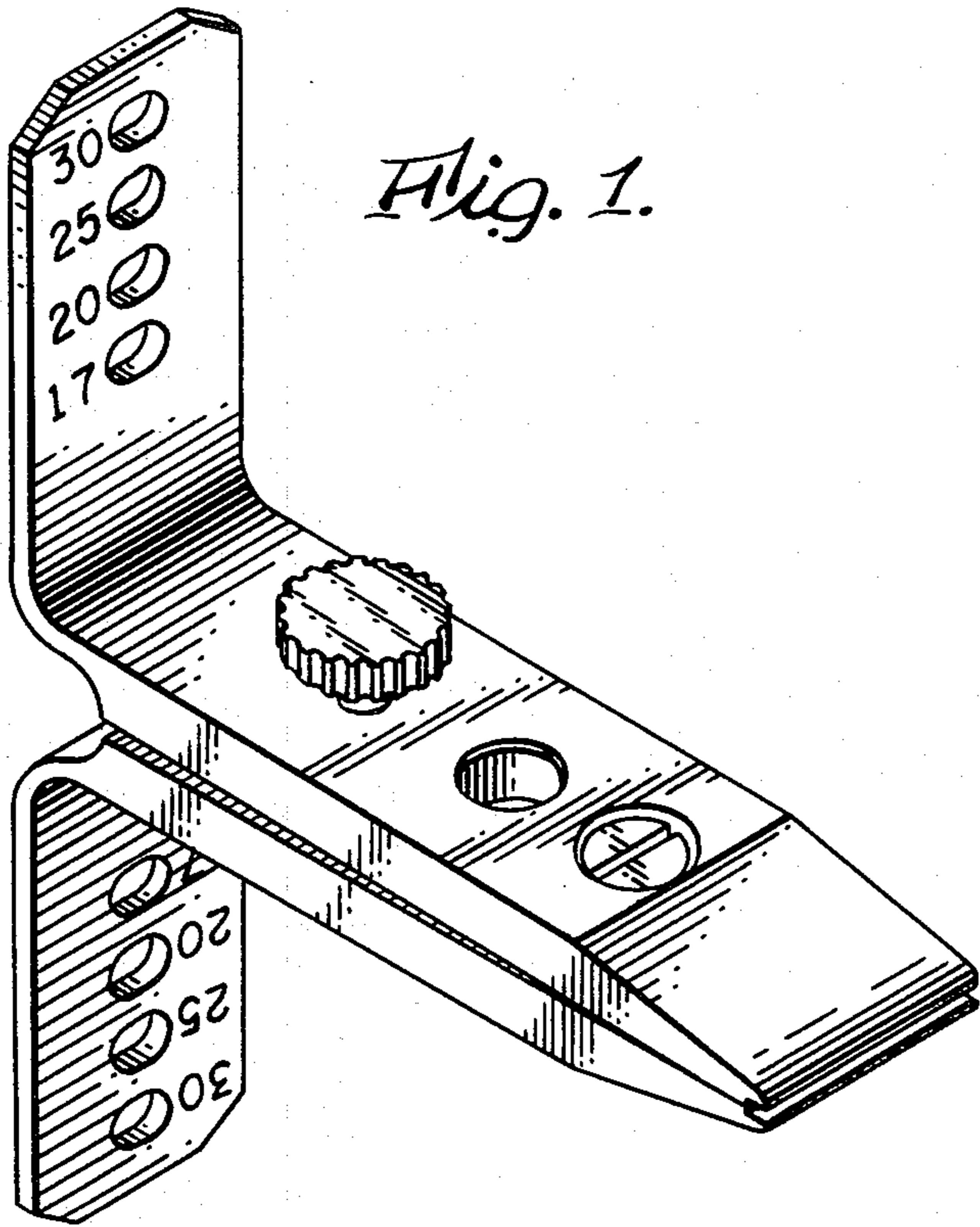


Fig. 3.

Fig. 4.

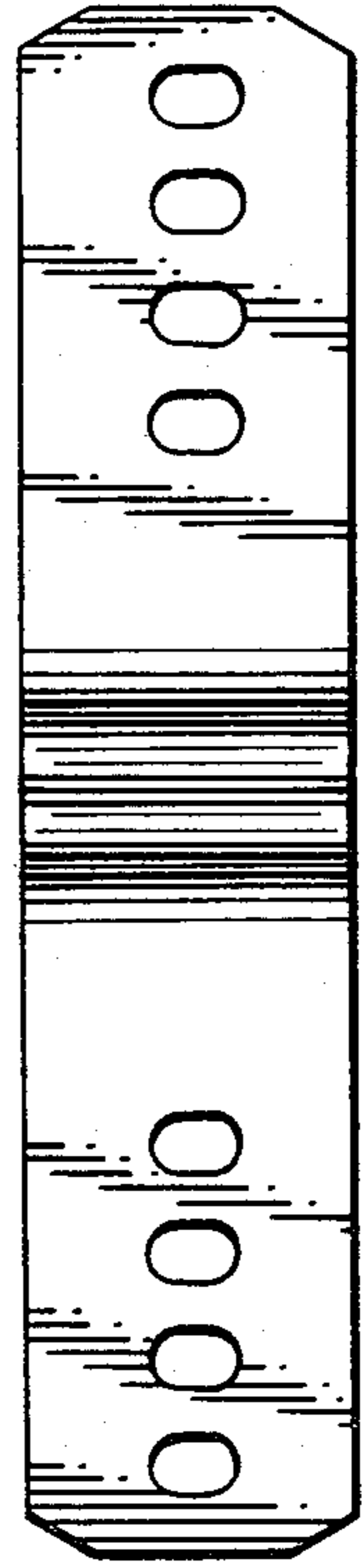
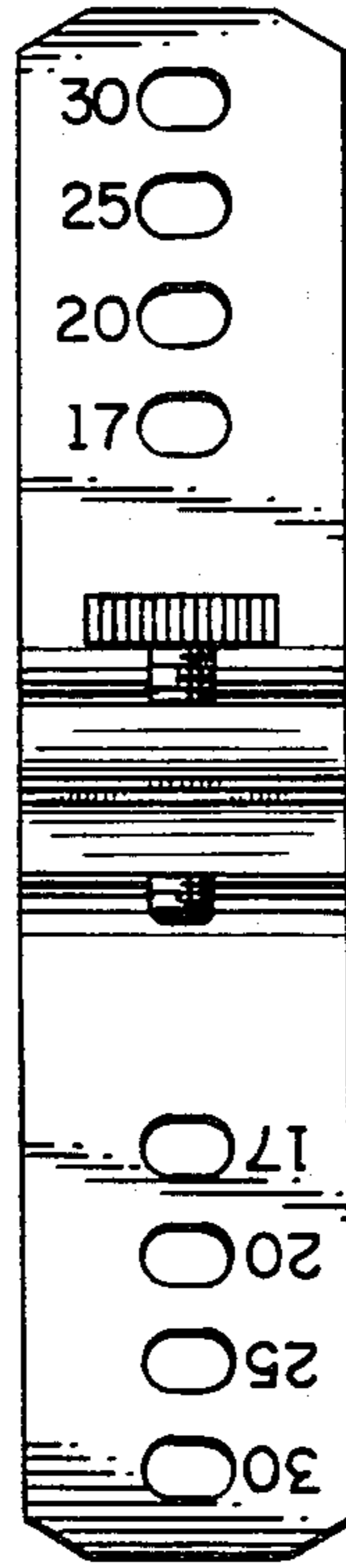


Fig. 5.

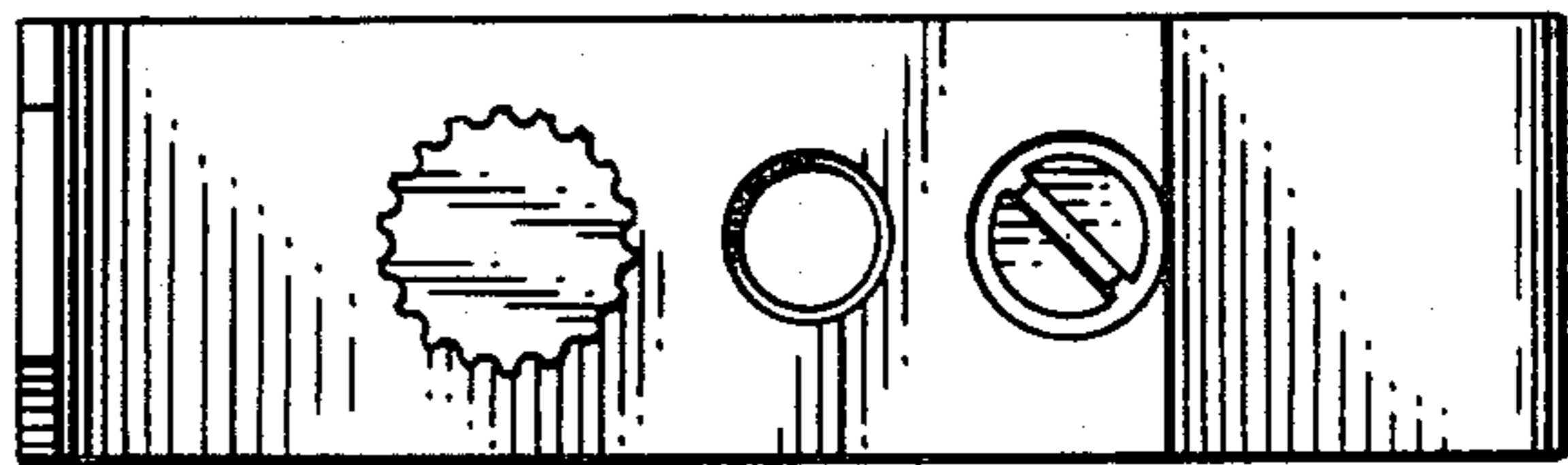


Fig. 6.

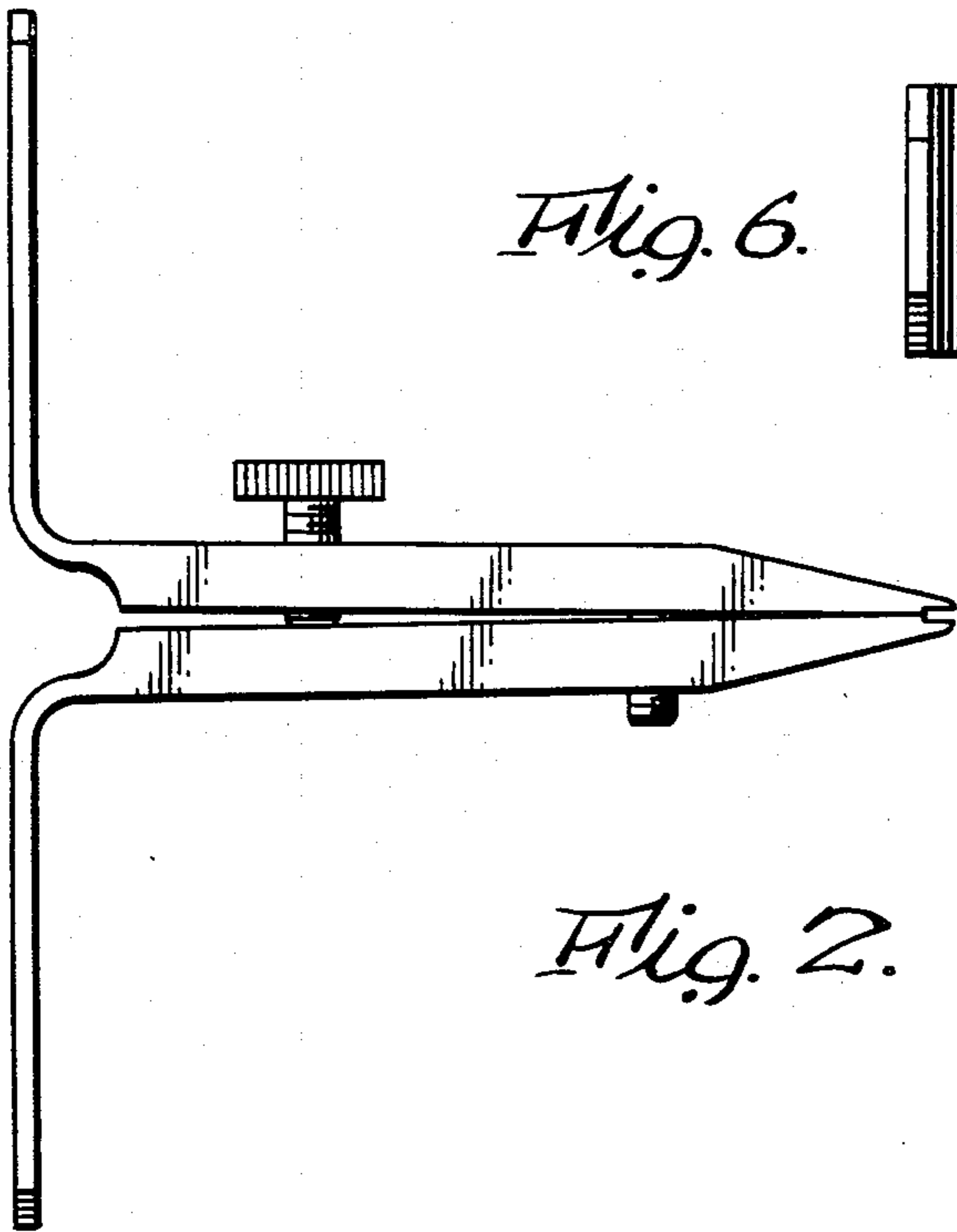
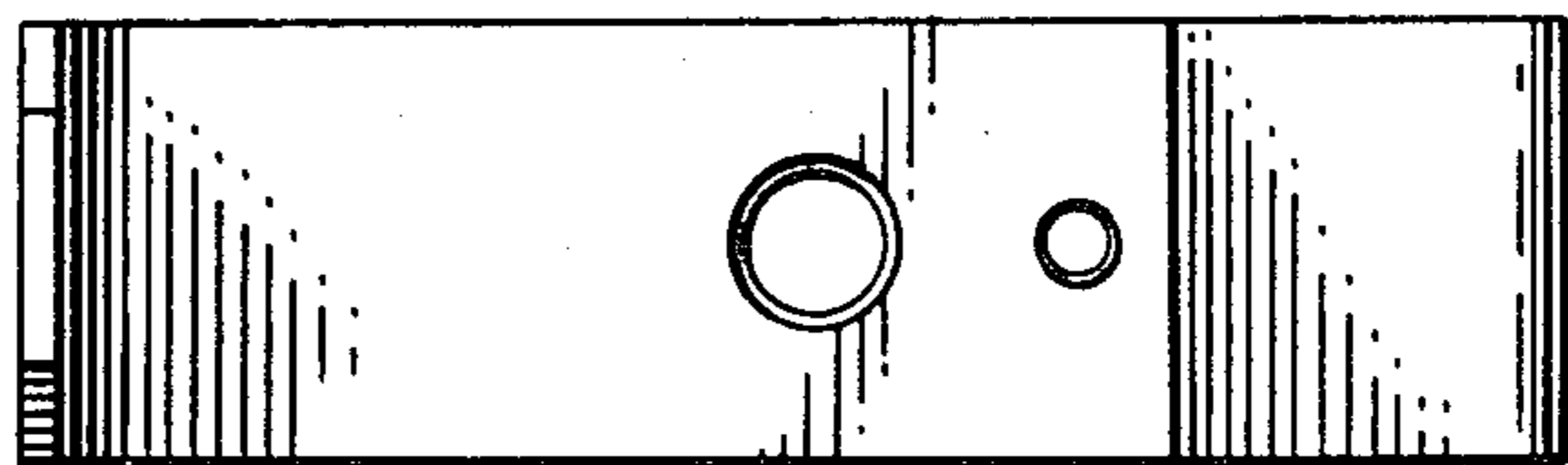


Fig. 2.