

[54] **MICROPHONE MOUNTING STAND**

[76] **Inventor: Bruce N. Hardy, P.O. Box 4124,
Elkhart, Ind. 46515**

[**] **Term: 14 Years**

[21] **Appl. No.: 457,723**

[22] **Filed: Jan. 13, 1983**

[52] **U.S. Cl. D14/13**

[58] **Field of Search D14/13, 12; D8/373;
179/146 R, 148 R**

[56] **References Cited**

U.S. PATENT DOCUMENTS

D. 207,874 6/1967 Bender D8/373 X
3,324,254 6/1967 Shaw et al. D14/12

OTHER PUBLICATIONS

Burstein–Applebee Catalog 641, Published 1963, p. 52,

left bottom “Mike Mounting Accessories”, #'s 3–5 & 15.

Primary Examiner—Jane E. Corrigan
Attorney, Agent, or Firm—Marmaduke A. Hobbs

[57] **CLAIM**

The ornamental design for a microphone mounting stand, substantially as shown.

DESCRIPTION

FIG. 1 is a front, top and left side perspective view of a microphone mounting stand showing my new design; FIG. 2 is a front elevational view; FIG. 3 is a rear elevational view; FIG. 4 is a top plan view; FIG. 5 is a right side elevational view; and FIG. 6 is a bottom plan view.

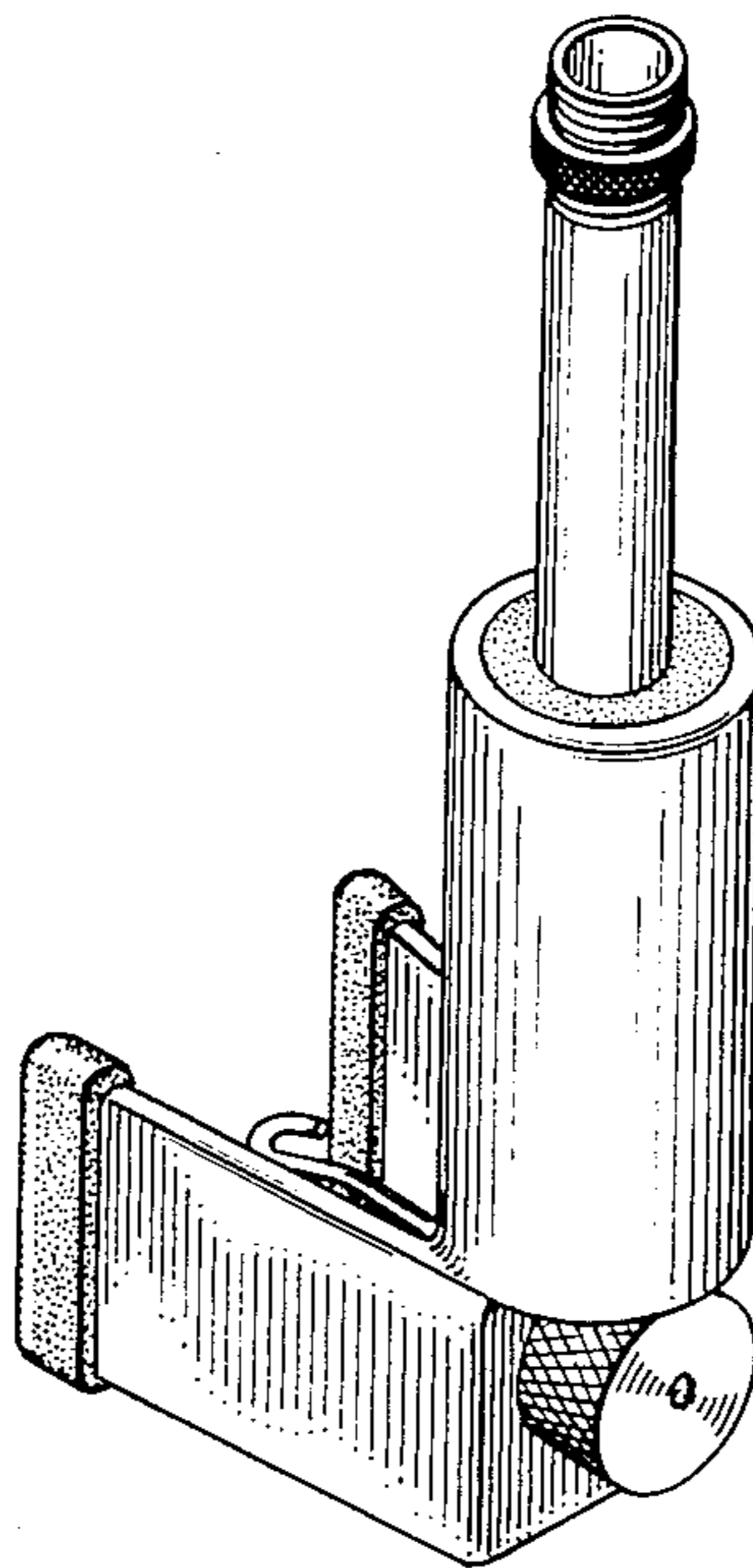


Fig. 1

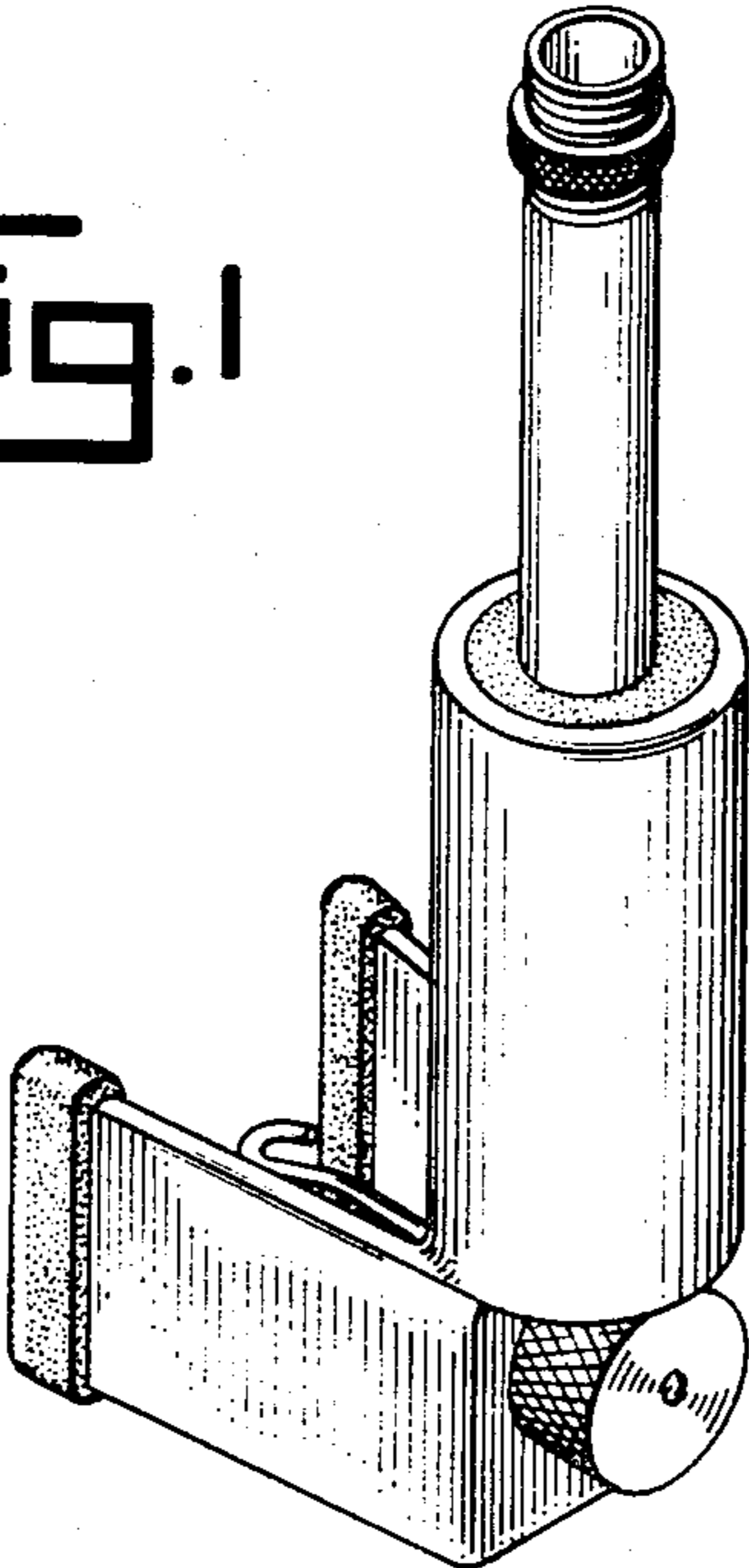


Fig. 2

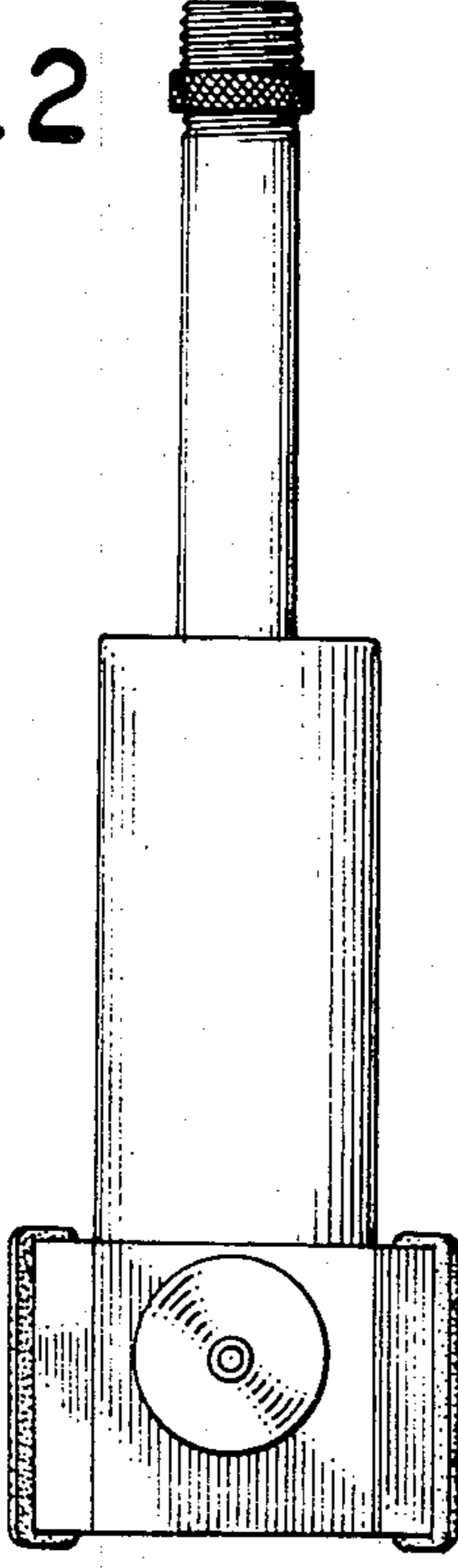


Fig. 3

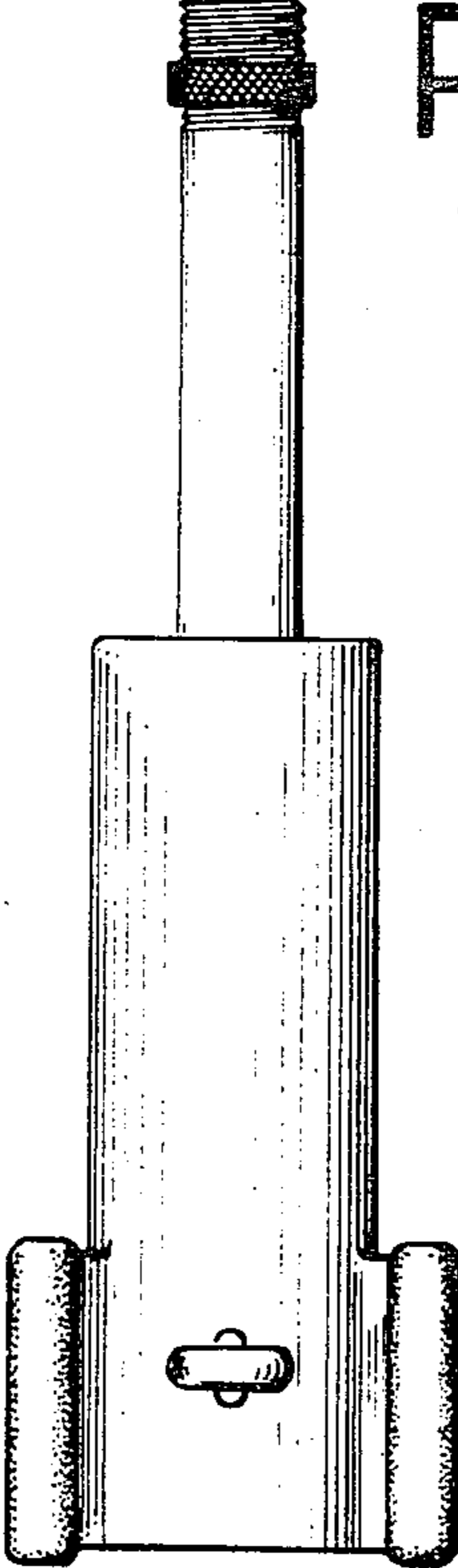


Fig. 4

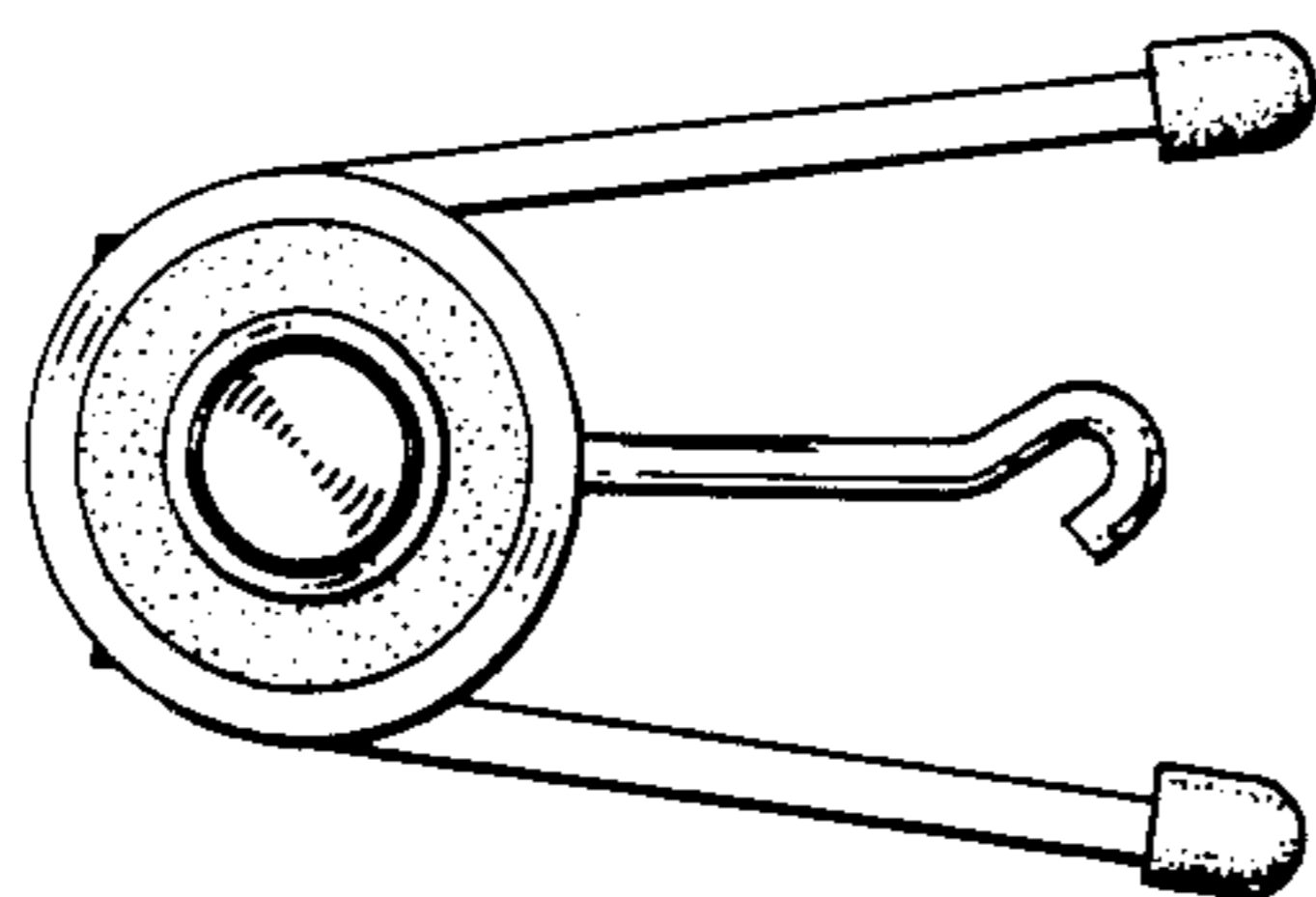


Fig. 5

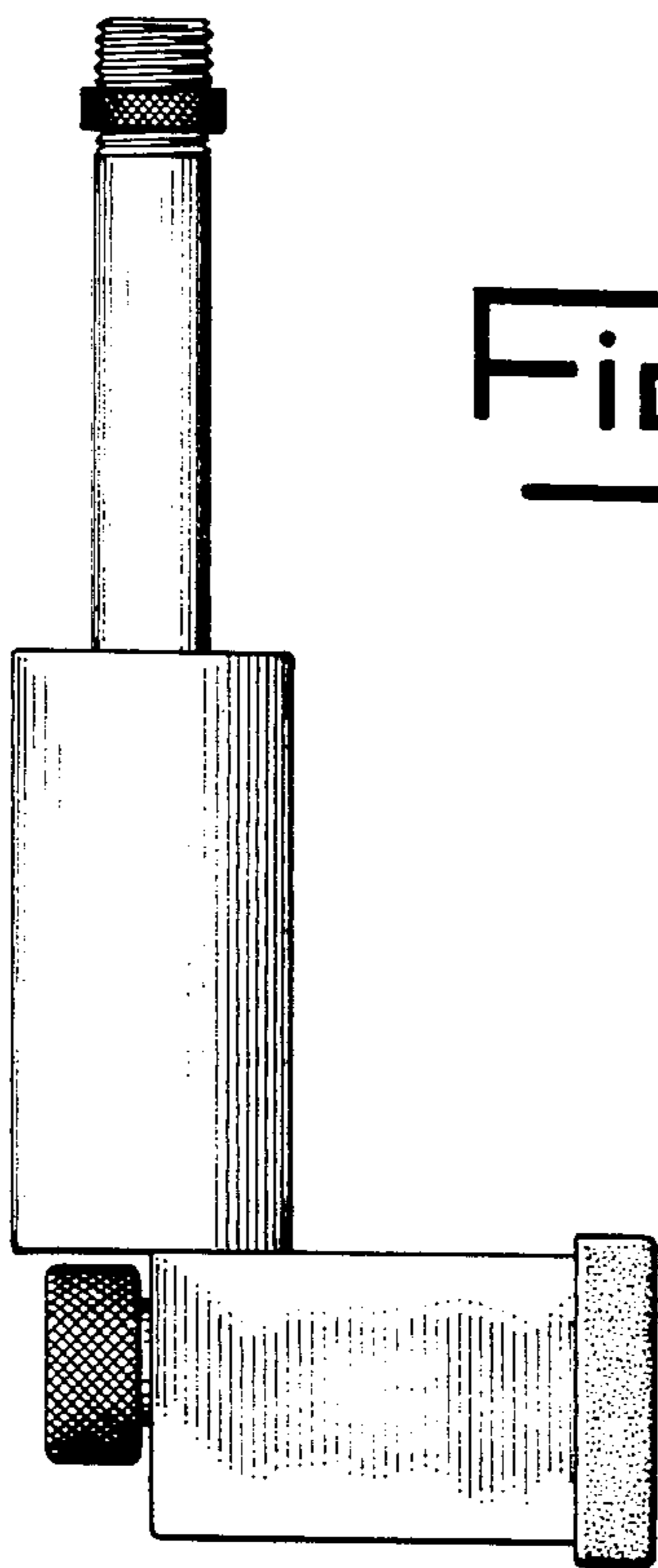


Fig. 6

