

[54] COMBINED TAPE RECORDER AND RADIO RECEIVER

[75] Inventors: Michio Tanaka, Nara; Masanori Hamada, Osaka, both of Japan

[73] Assignee: Matsushita Electric Industrial Co., Ltd., Osaka, Japan

[\*\*] Term: 14 Years

[21] Appl. No.: 450,162

[22] Filed: Dec. 16, 1982

[30] Foreign Application Priority Data

Jun. 16, 1982 [JP] Japan ..... 57-27168

[52] U.S. Cl. .... D14/5; D14/6; D14/68; D14/70; D14/72

[58] Field of Search ..... D14/1, 2, 5, 6, 68, D14/70-73; D14/3, 75, 76

[56] References Cited

U.S. PATENT DOCUMENTS

- D. 244,877 6/1977 McLaughlin ..... D14/73
- D. 262,700 1/1982 Okada et al. .... D14/72 X
- D. 268,755 4/1983 Culbertson ..... D14/5
- D. 273,785 5/1984 Davidson ..... D14/73
- D. 274,722 7/1984 Mishiro et al. .... D14/72 X

Primary Examiner—Jane E. Corrigan  
Attorney, Agent, or Firm—Sughrue, Mion, Zinn, Macpeak and Seas

[57] CLAIM

The ornamental design for a combined tape recorder and radio receiver, as shown.

DESCRIPTION

FIG. 1 is a front, top and right side perspective view of a combined tape recorder and radio receiver showing our new design;  
 FIG. 2 is a front elevational view thereof;  
 FIG. 3 is a top plan view thereof;  
 FIG. 4 is a rear elevational view thereof;  
 FIG. 5 is a bottom plan view thereof;  
 FIG. 6 is a left side elevational view thereof; and  
 FIG. 7 is a right side elevational view thereof.

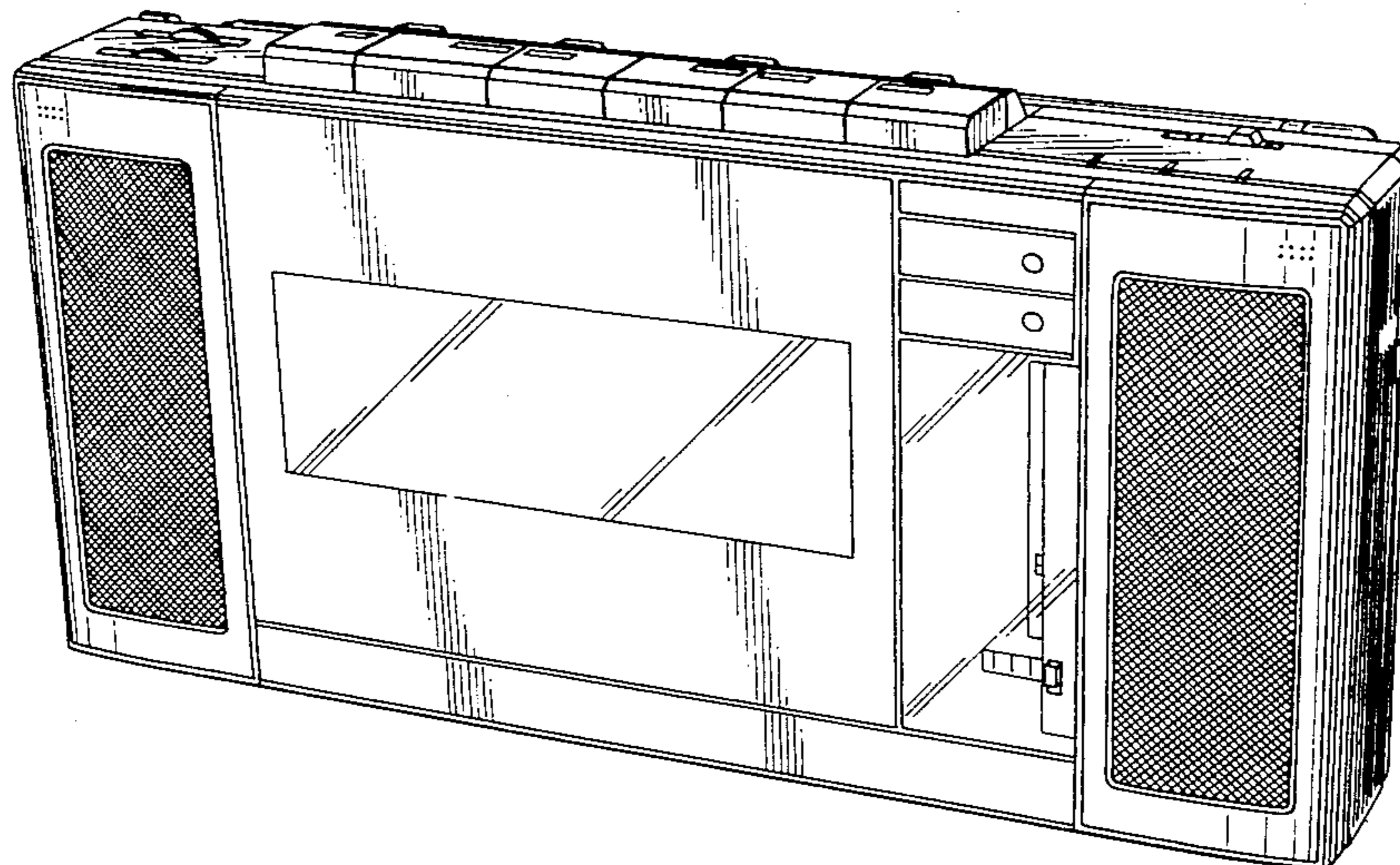


Fig. 1

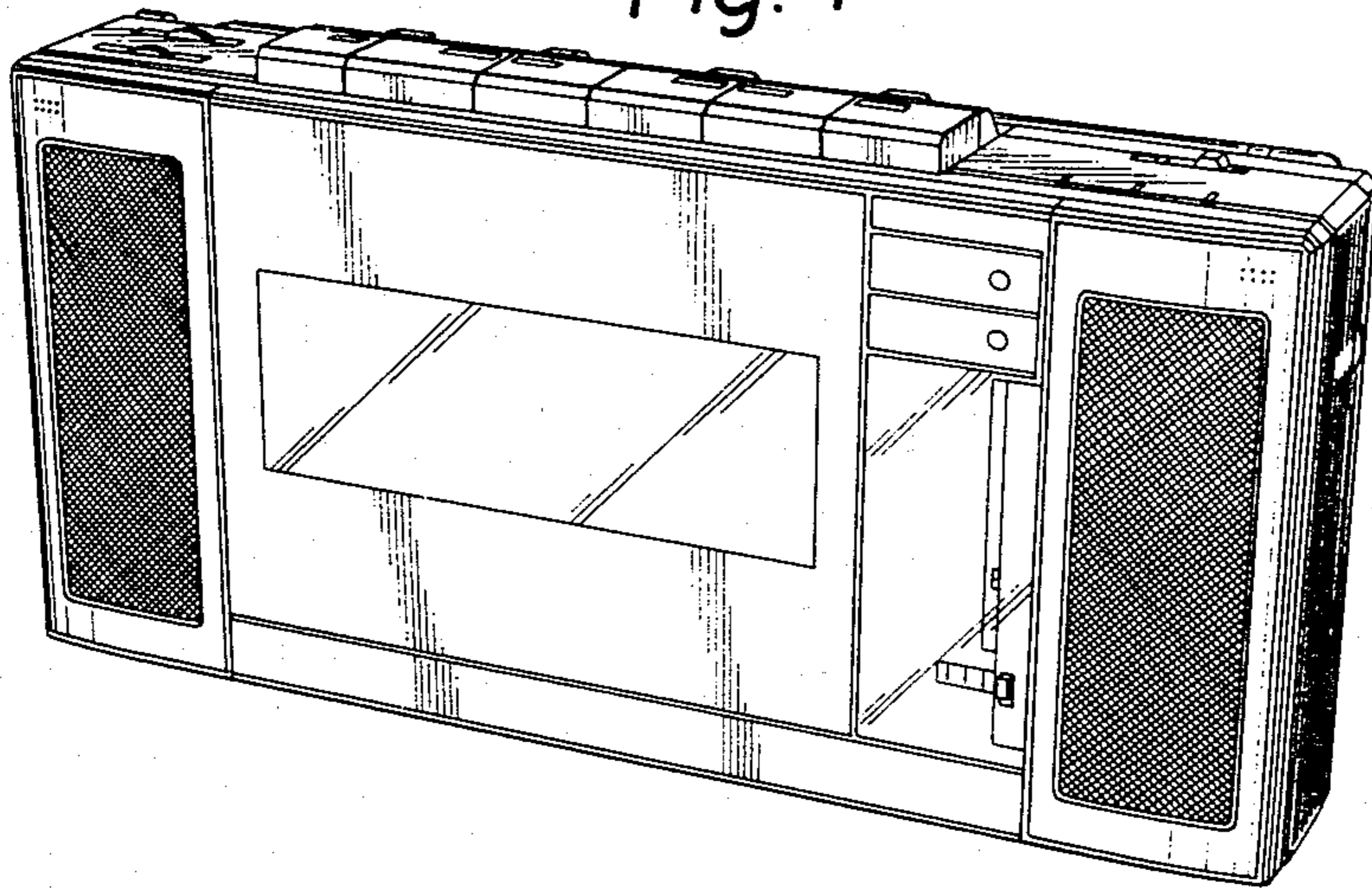


Fig. 2

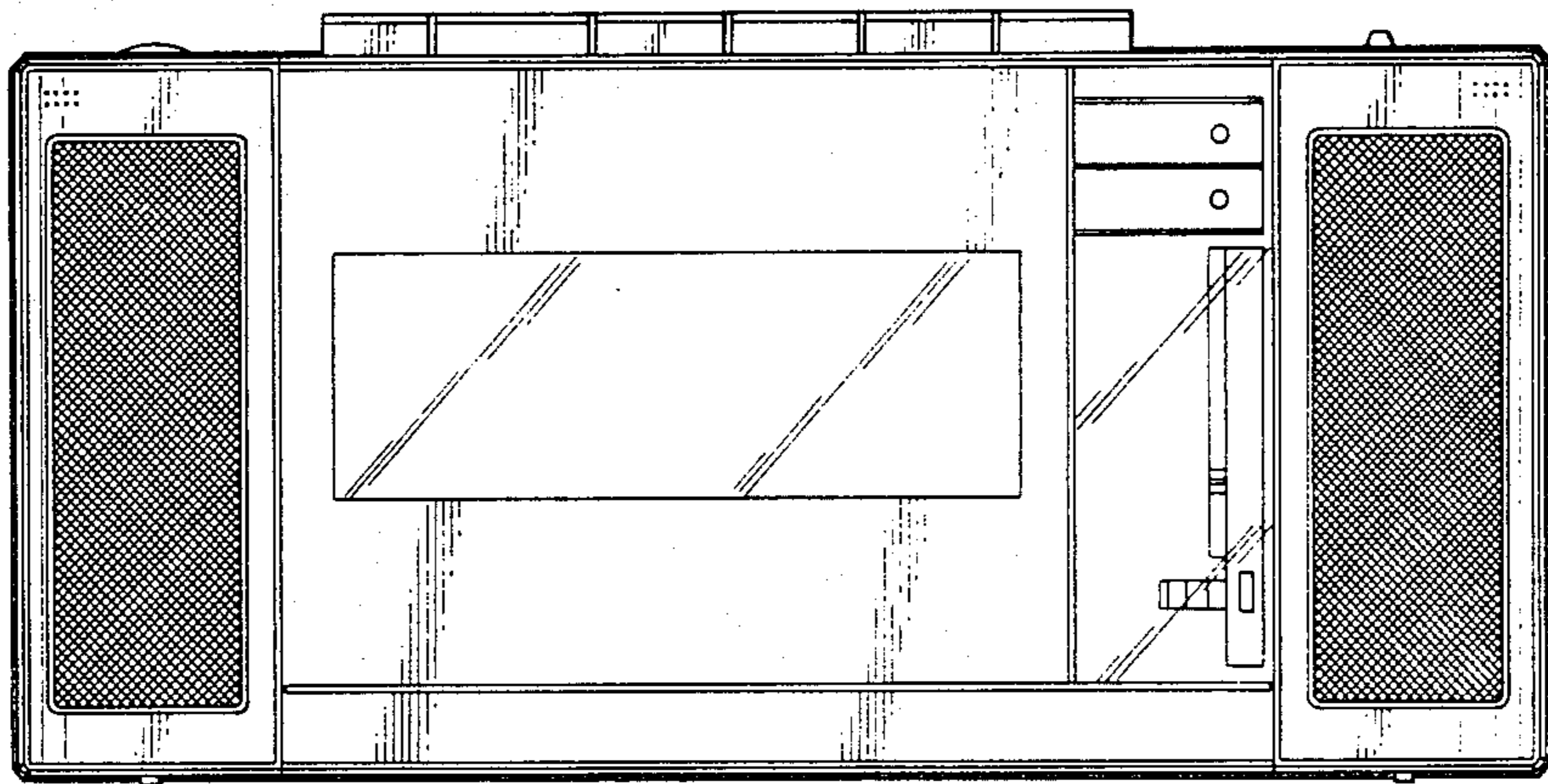
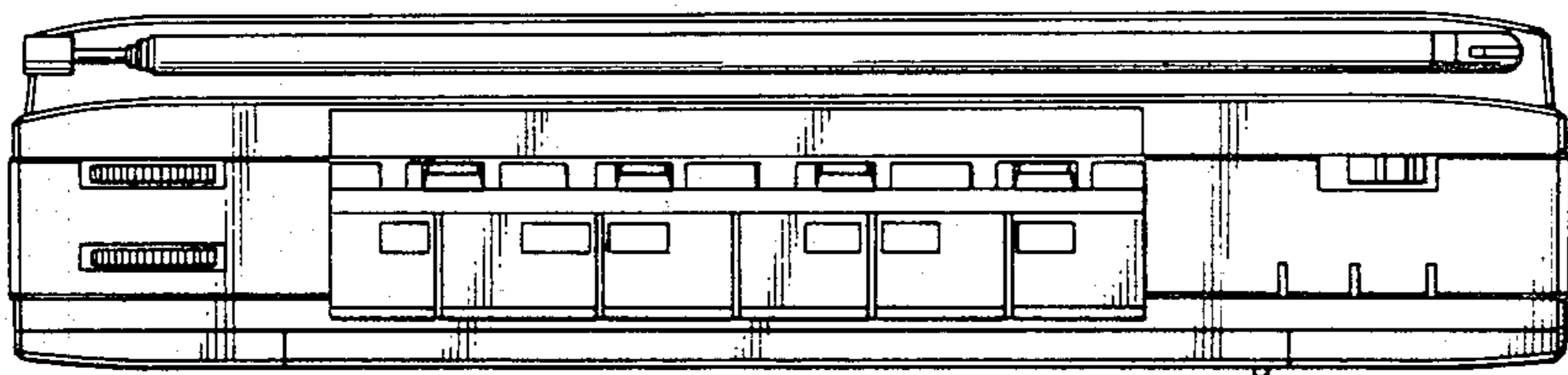
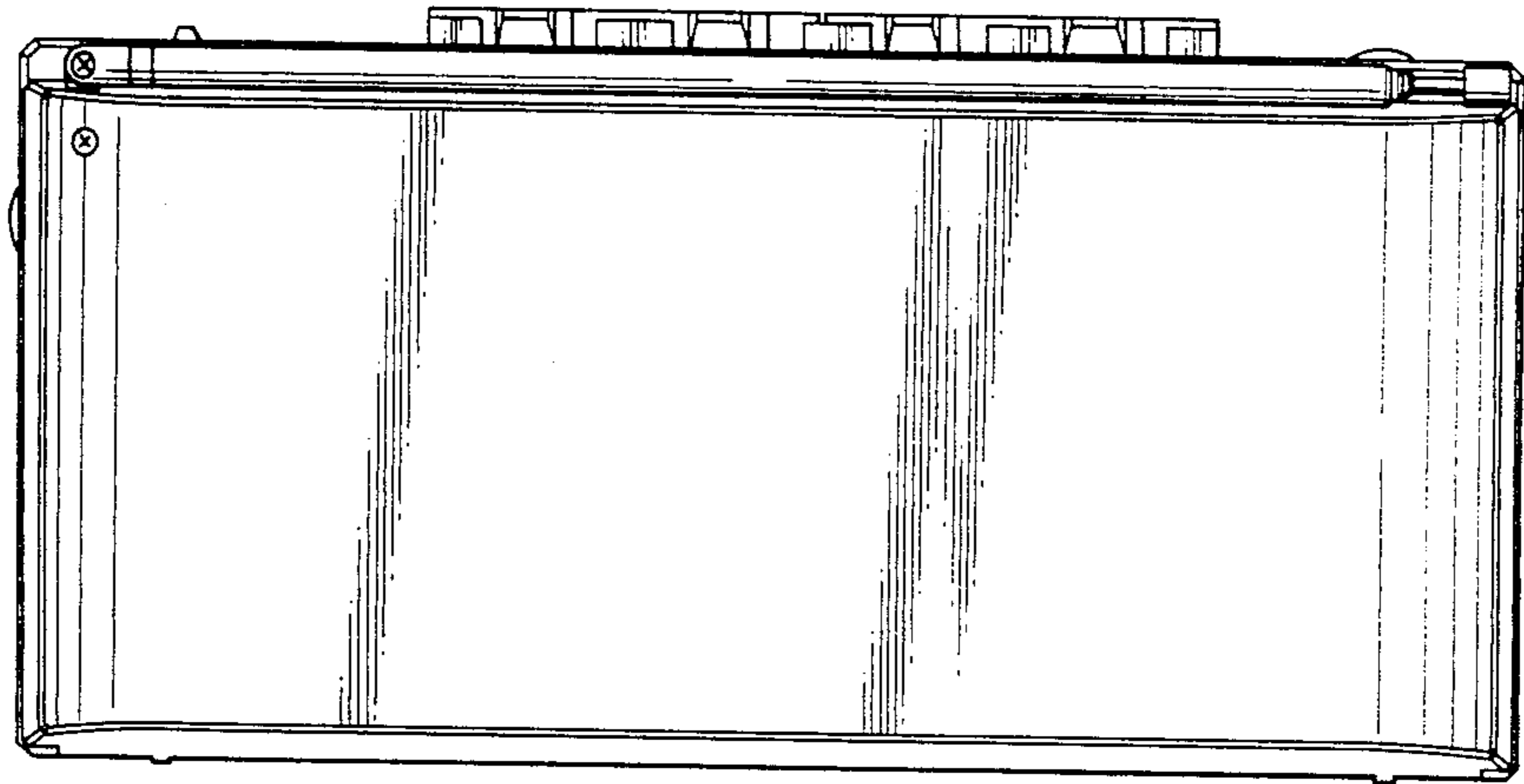


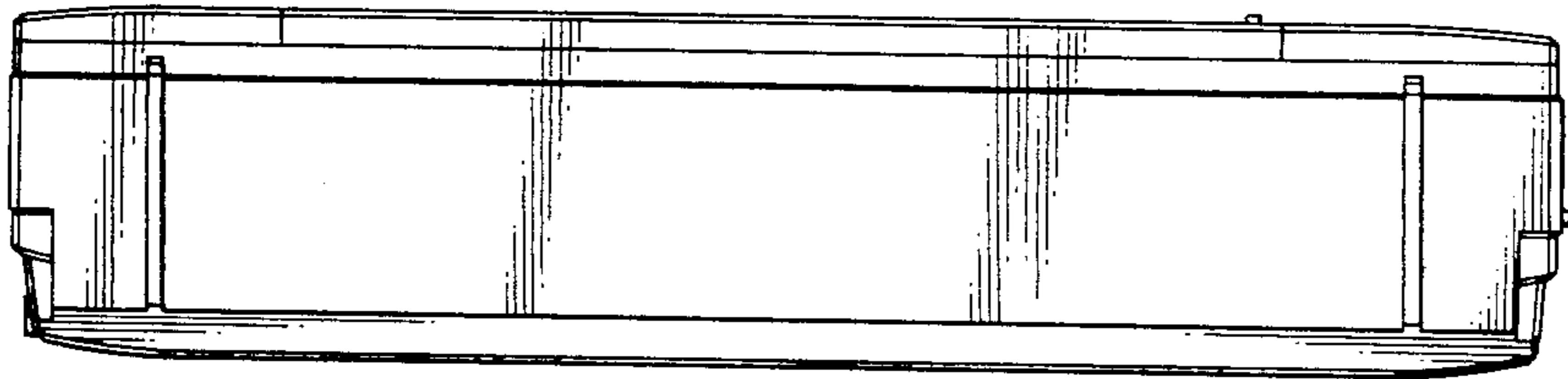
Fig. 3



*Fig. 4*



*Fig. 5*



*Fig. 6*



*Fig. 7*

