

[54] BATTERY CHARGER HOUSING FOR A PORTABLE BATTERY OPERATED TRANSCEIVER

[75] Inventors: James P. Liautaud, River and Bluff Rds., Trout Valley, Cary, Ill. 60013; Peter F. Stultz, Elgin; David L. Maloney, Barrington, both of Ill.

[73] Assignee: James P. Liautaud, Cary, Ill.

[\*\*] Term: 14 Years

[21] Appl. No.: 529,959

[22] Filed: Sep. 6, 1983

[52] U.S. Cl. .... D13/5

[58] Field of Search ..... D13/5; 320/2-5

[56] References Cited

U.S. PATENT DOCUMENTS

D. 206,804	1/1967	Cunitz	.....	D13/5
D. 265,899	8/1982	House	.....	D13/5
D. 271,391	11/1983	Scheid	.....	D13/5
3,659,180	4/1972	Urbush	.....	320/2
4,403,182	9/1983	Yeh	.....	320/2

Primary Examiner—Wallace R. Burke  
Assistant Examiner—Lynn Wilder

Attorney, Agent, or Firm—Lockwood, Alex, Fitzgibbon & Cummings

[57] CLAIM

The ornamental design for a battery charger housing for a portable battery operated transceiver, substantially as shown and described.

DESCRIPTION

FIG. 1 is a left side perspective view of a battery charger housing for a portable battery operated transceiver showing our new design.

FIG. 2 is a top perspective view thereof.

FIG. 3 is a rear perspective view thereof.

FIG. 4 is a right side elevational view thereof.

FIG. 5 is a front elevational view thereof.

FIG. 6 is a left side elevational view thereof.

FIG. 7 is a rear elevational view thereof.

FIG. 8 is a top plan view thereof.

FIG. 9 is a bottom plan view thereof.

FIG. 10 is a left side perspective view of a second embodiment of the battery charger housing for a portable battery operated transceiver shown in FIG. 1, the undisclosed sides being the same in appearance as that shown in FIGS. 3-9.

FIG. 11 is a top perspective view thereof.

The dotted line disclosure shown in FIGS. 1 and 11 is for illustrative purposes only and forms no part of the claimed design.

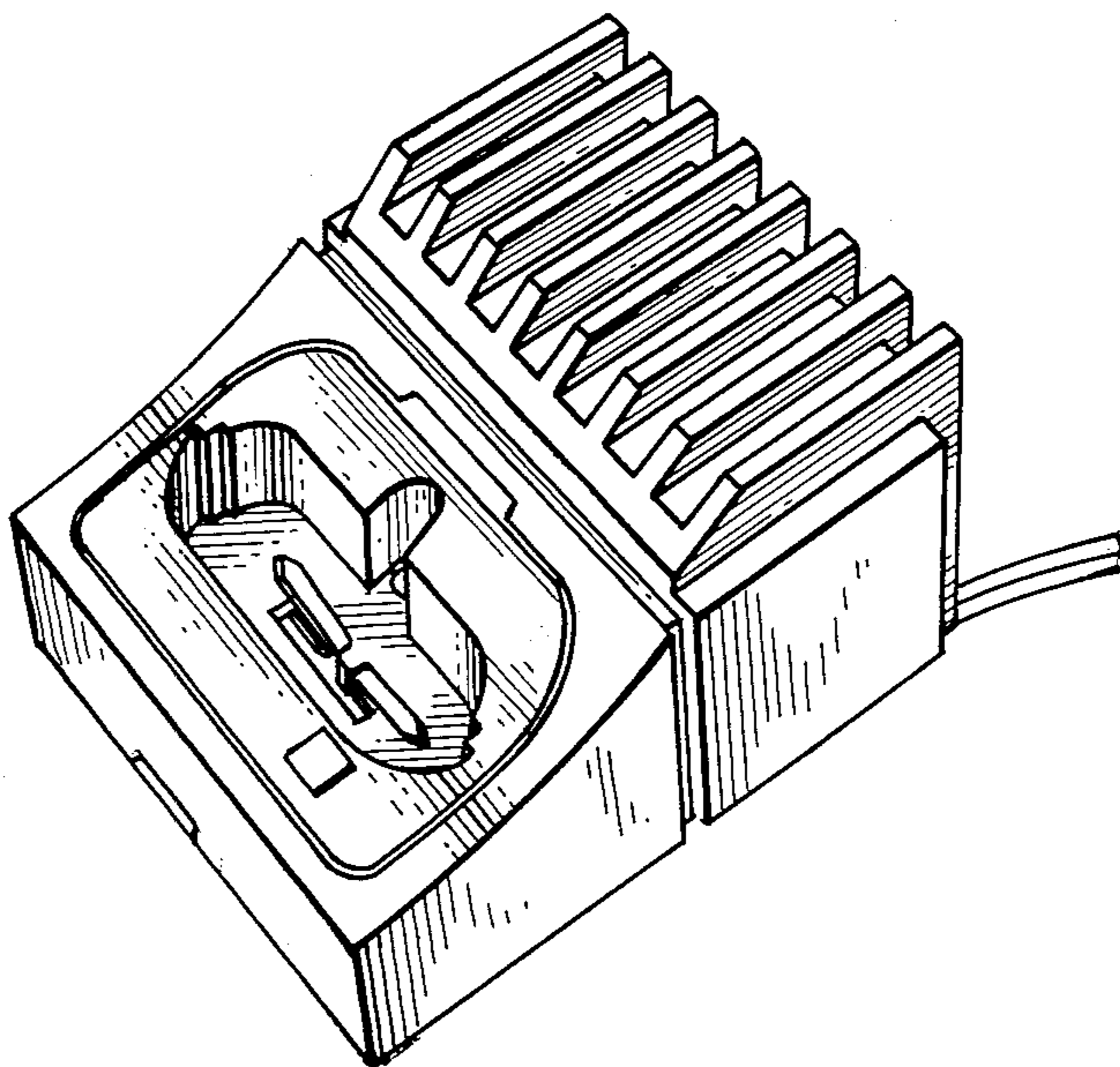


FIG. 1

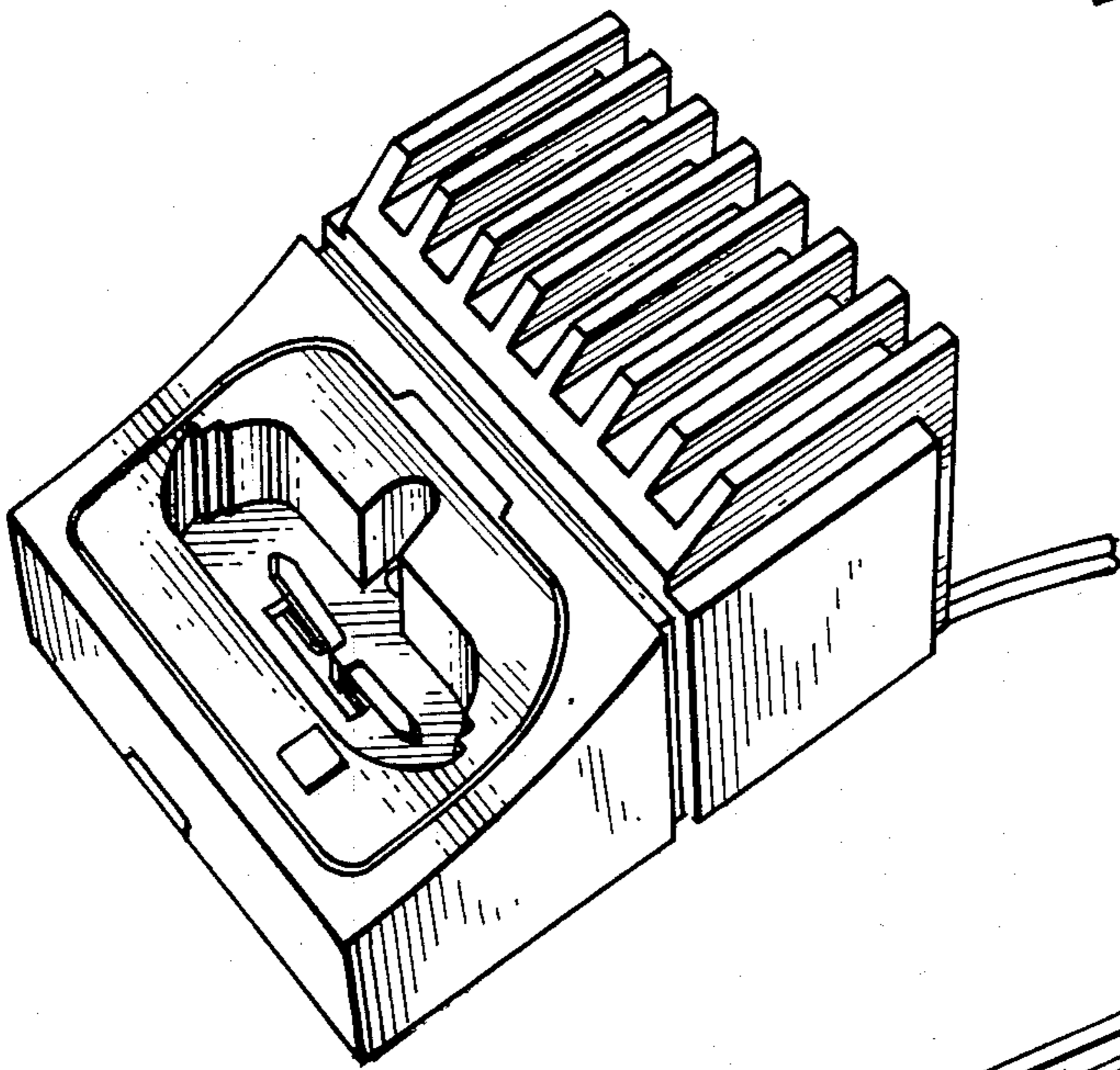
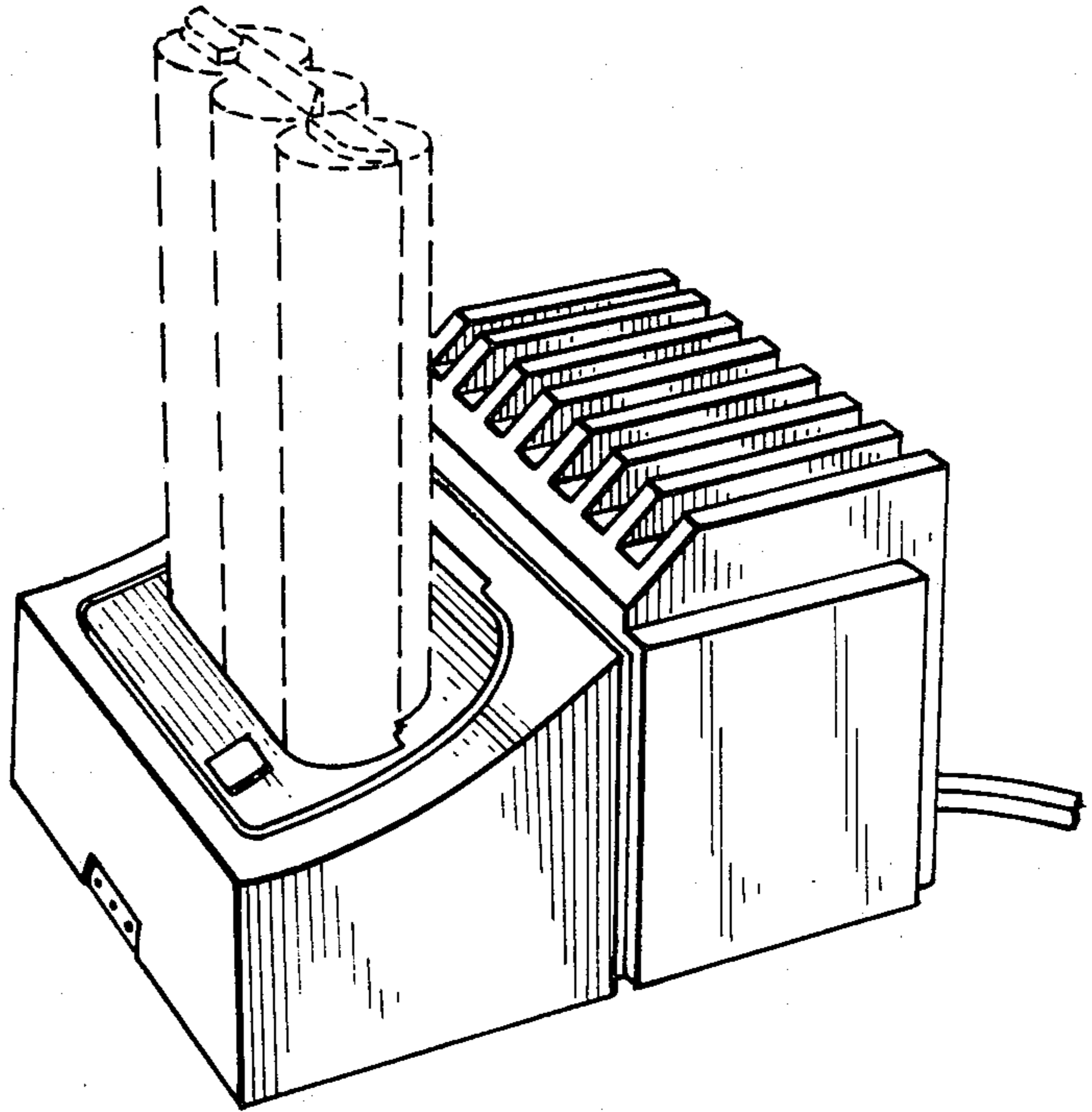
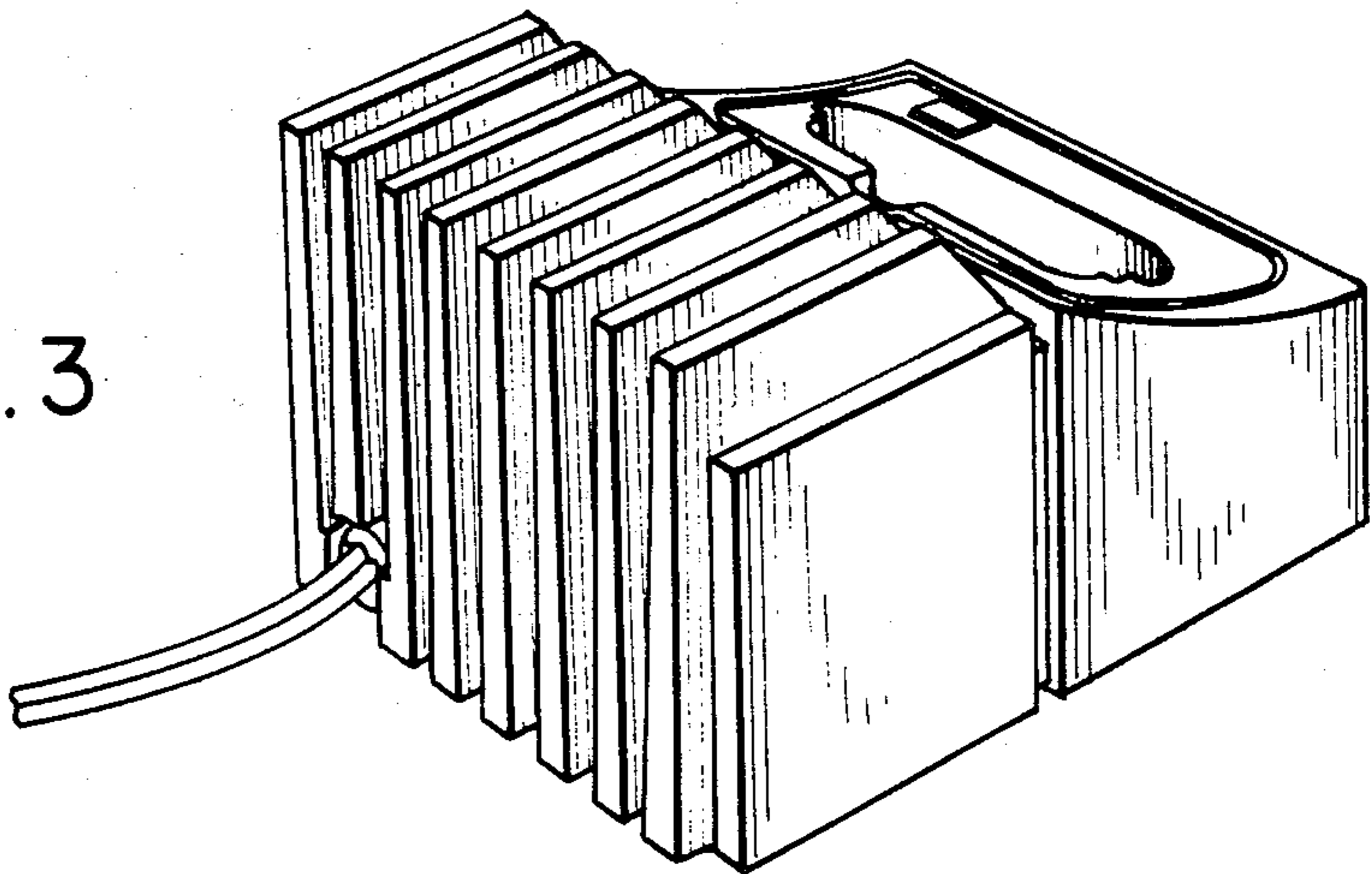


FIG. 2

FIG. 3



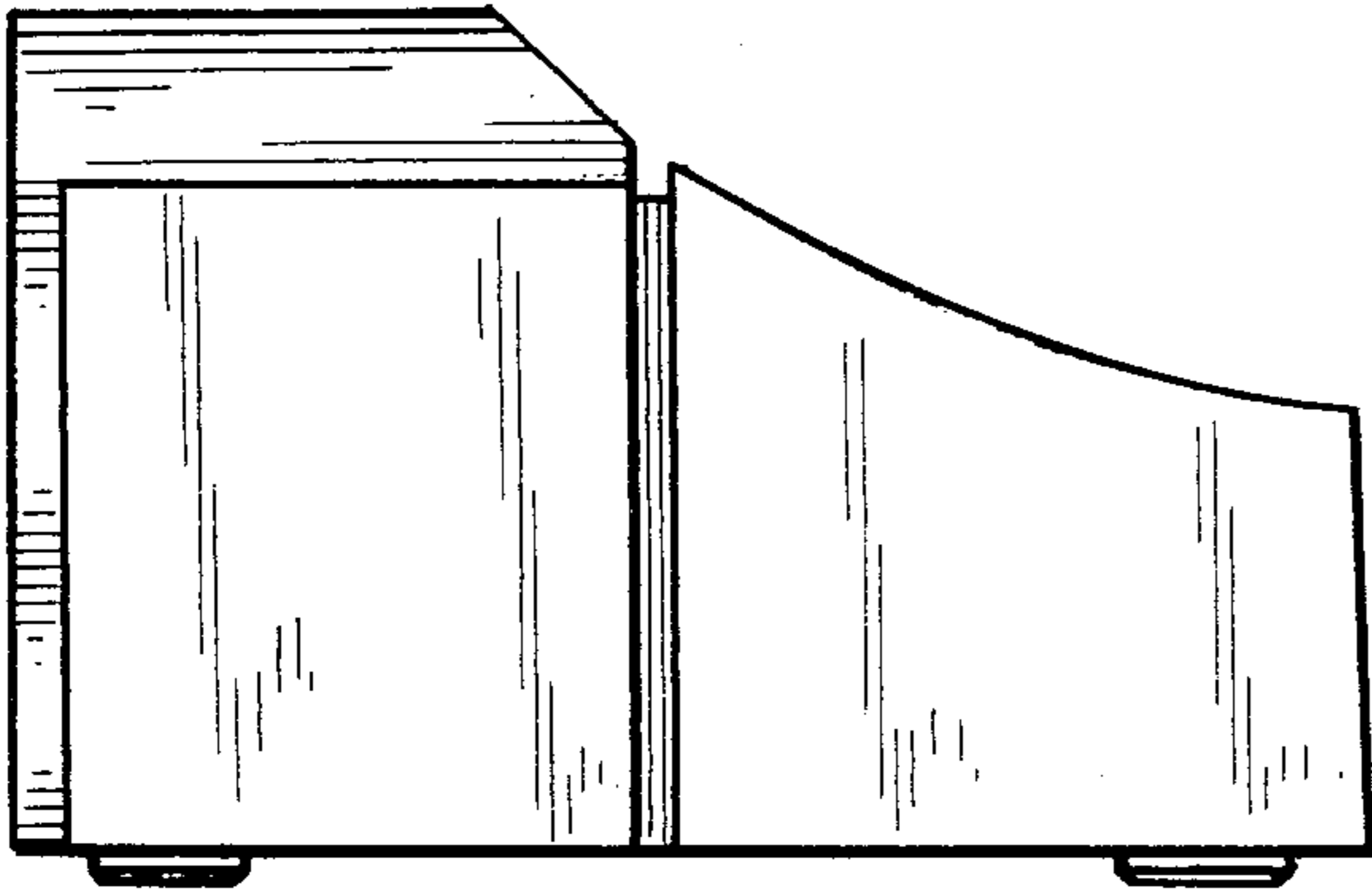


FIG. 4

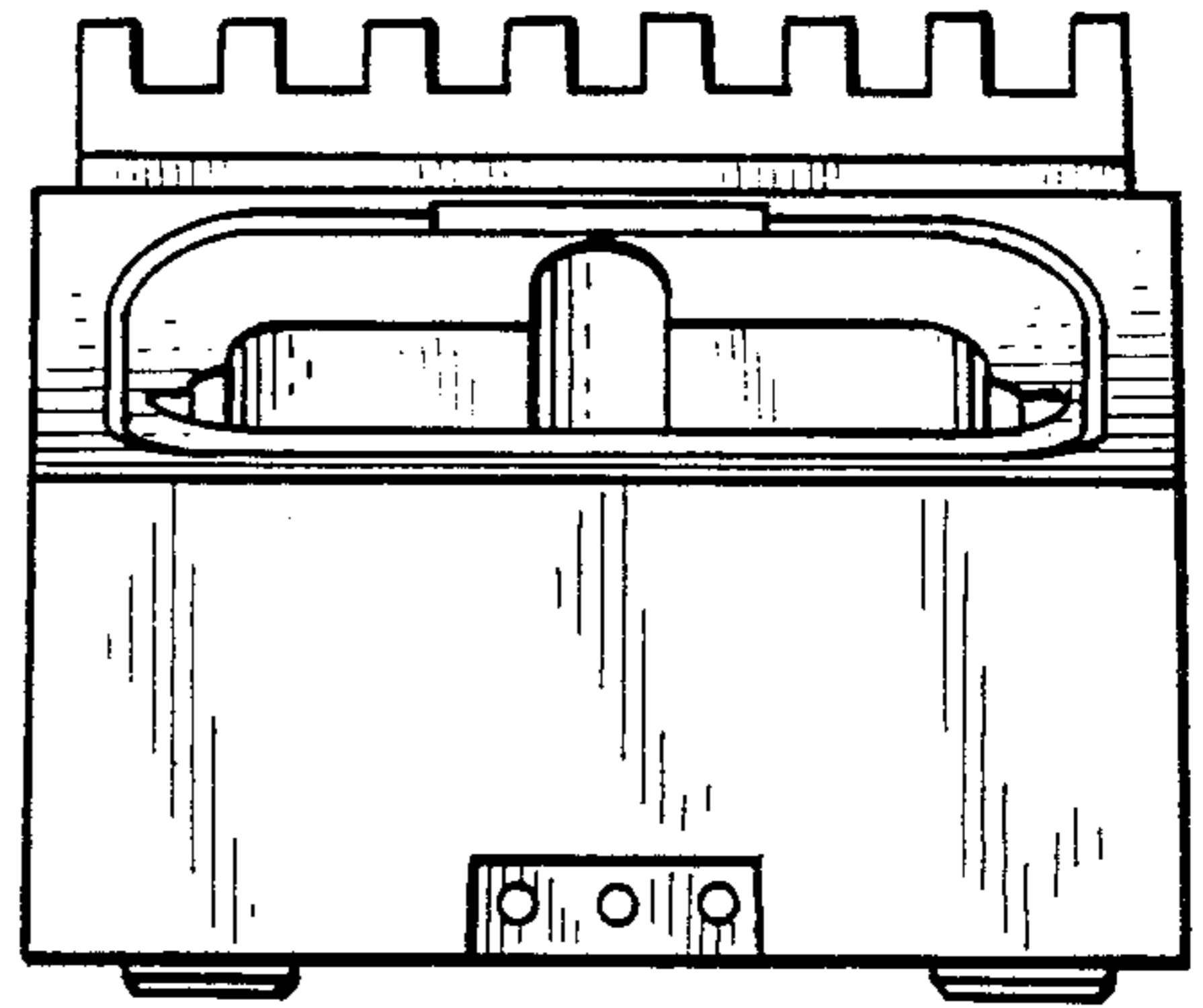


FIG. 5

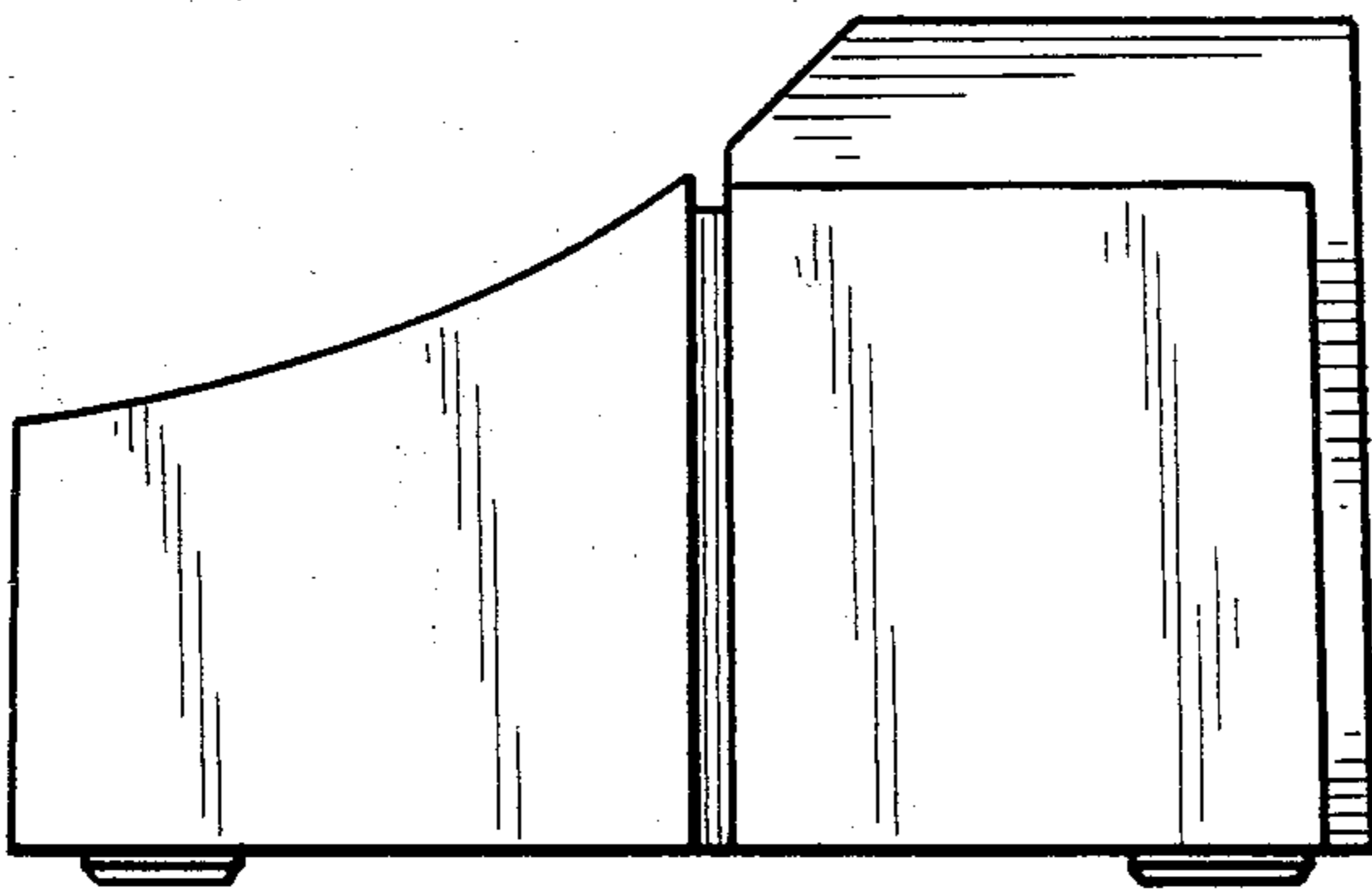


FIG. 6

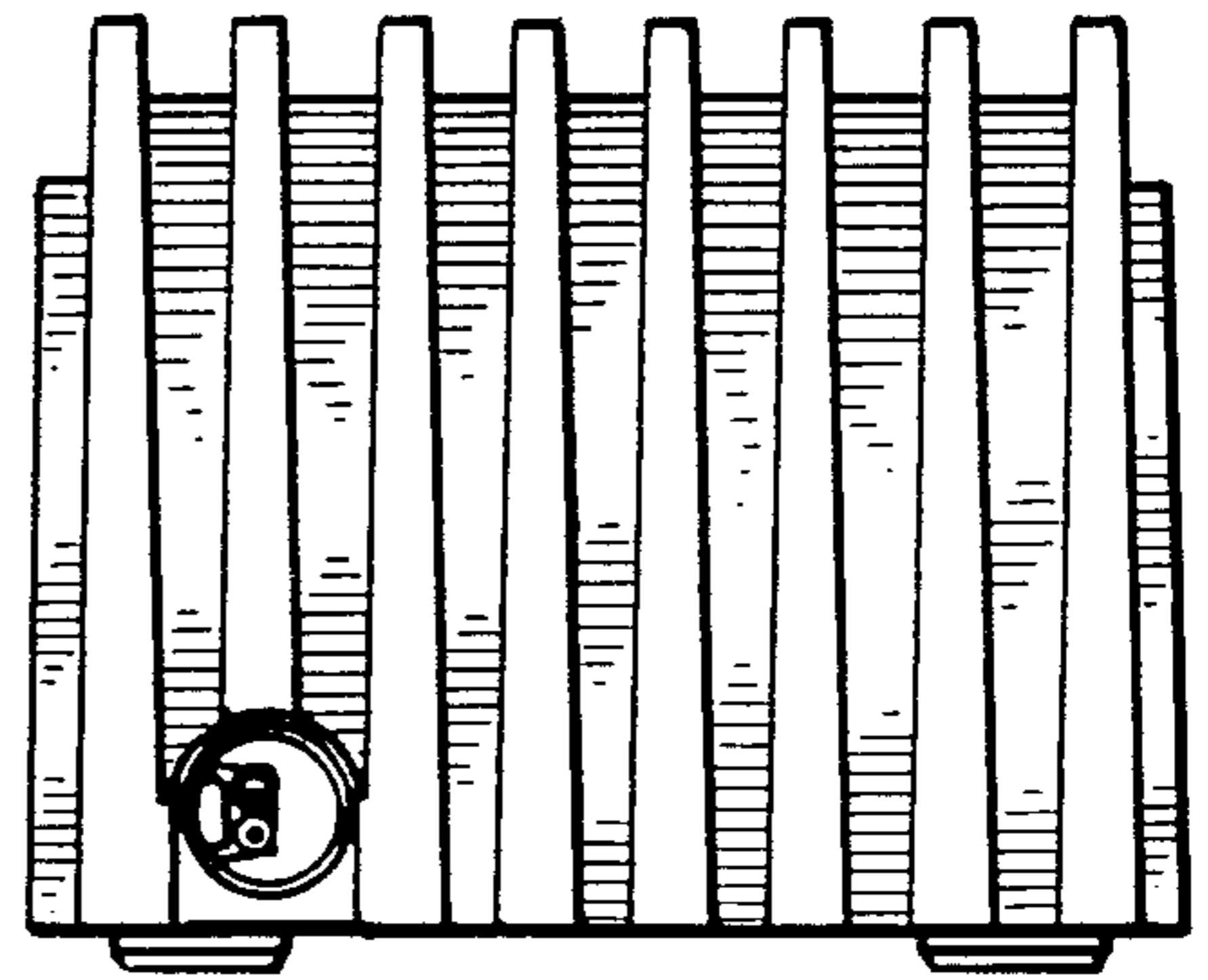


FIG. 7

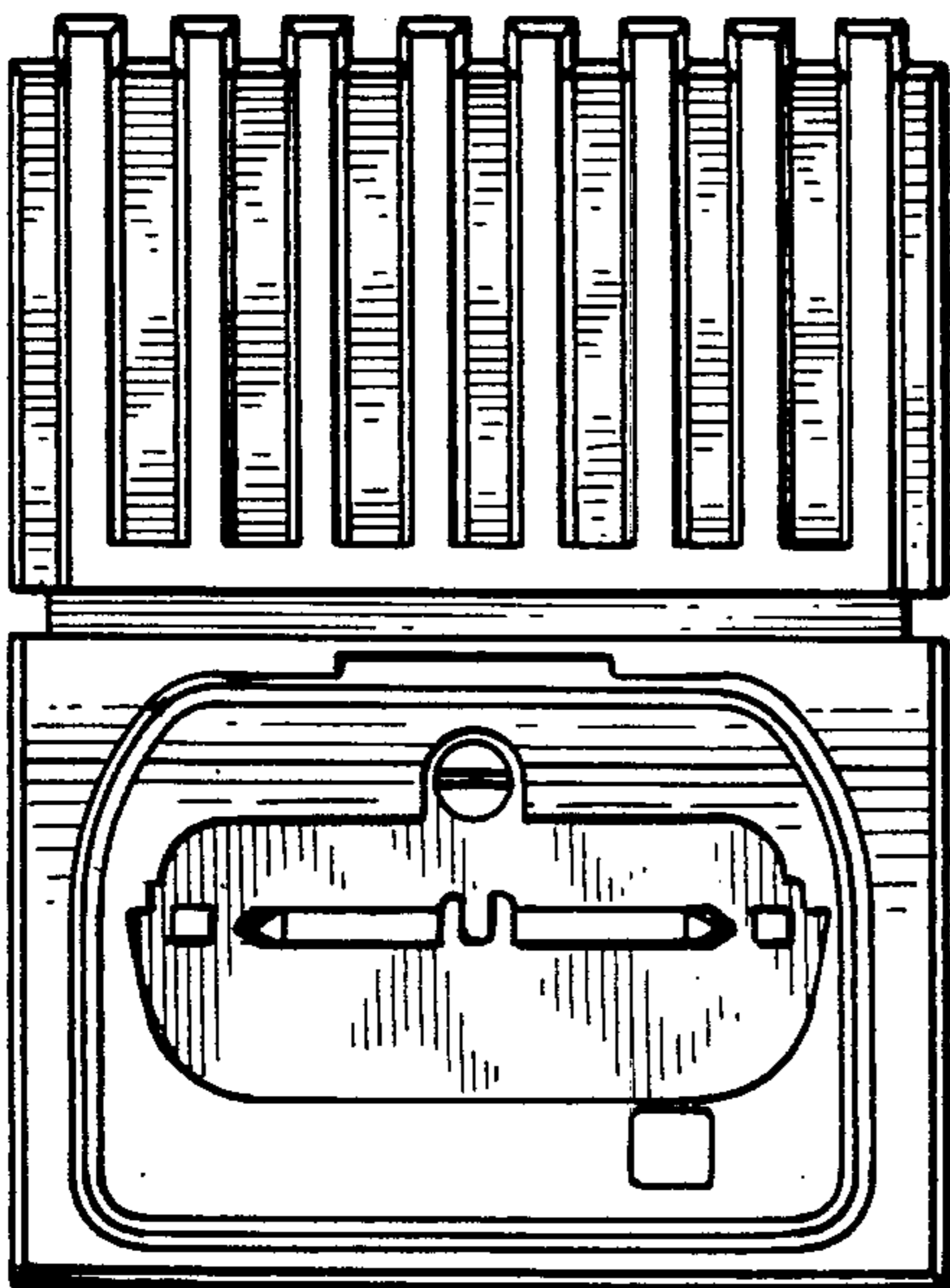


FIG. 8

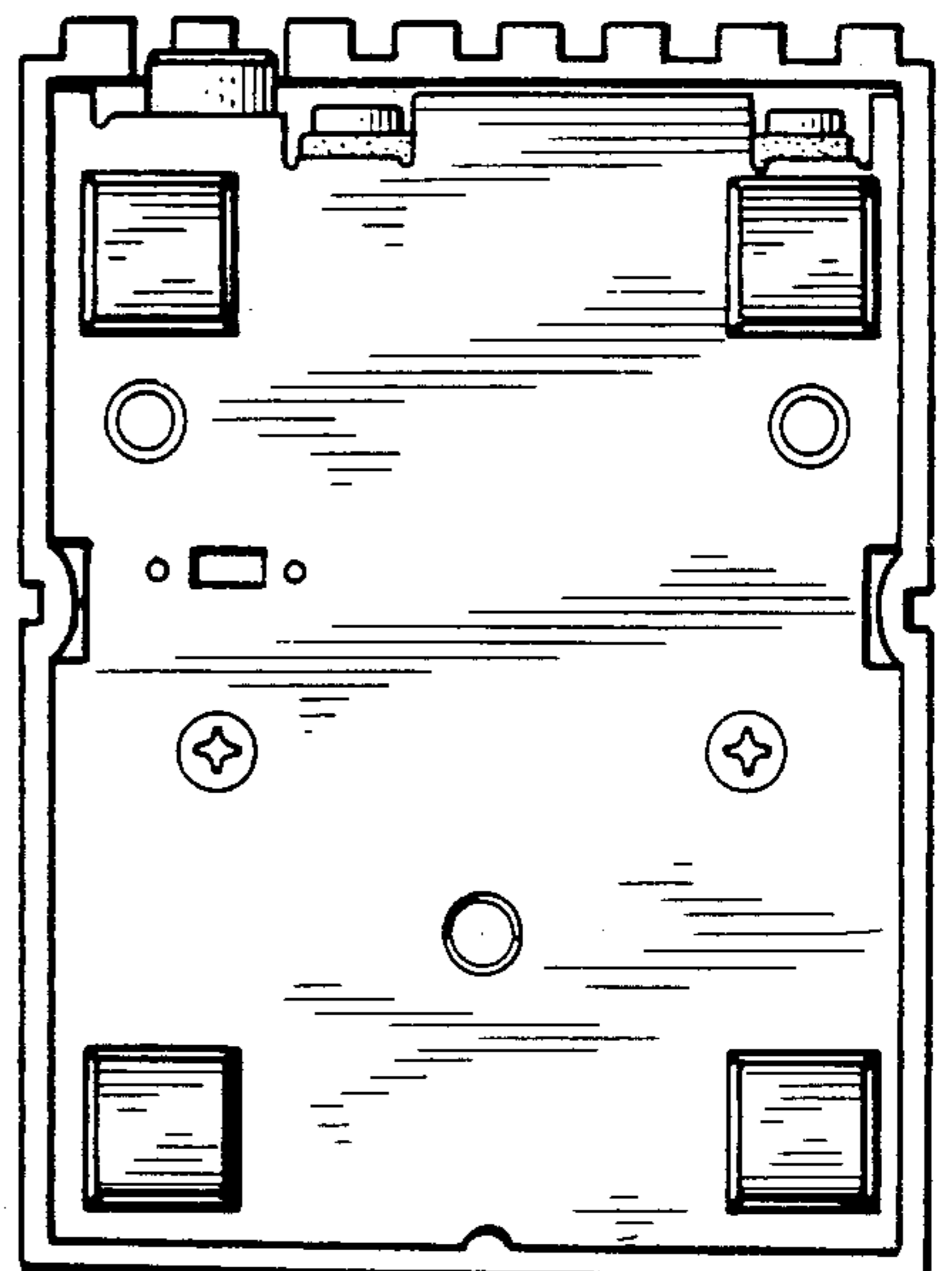


FIG. 9

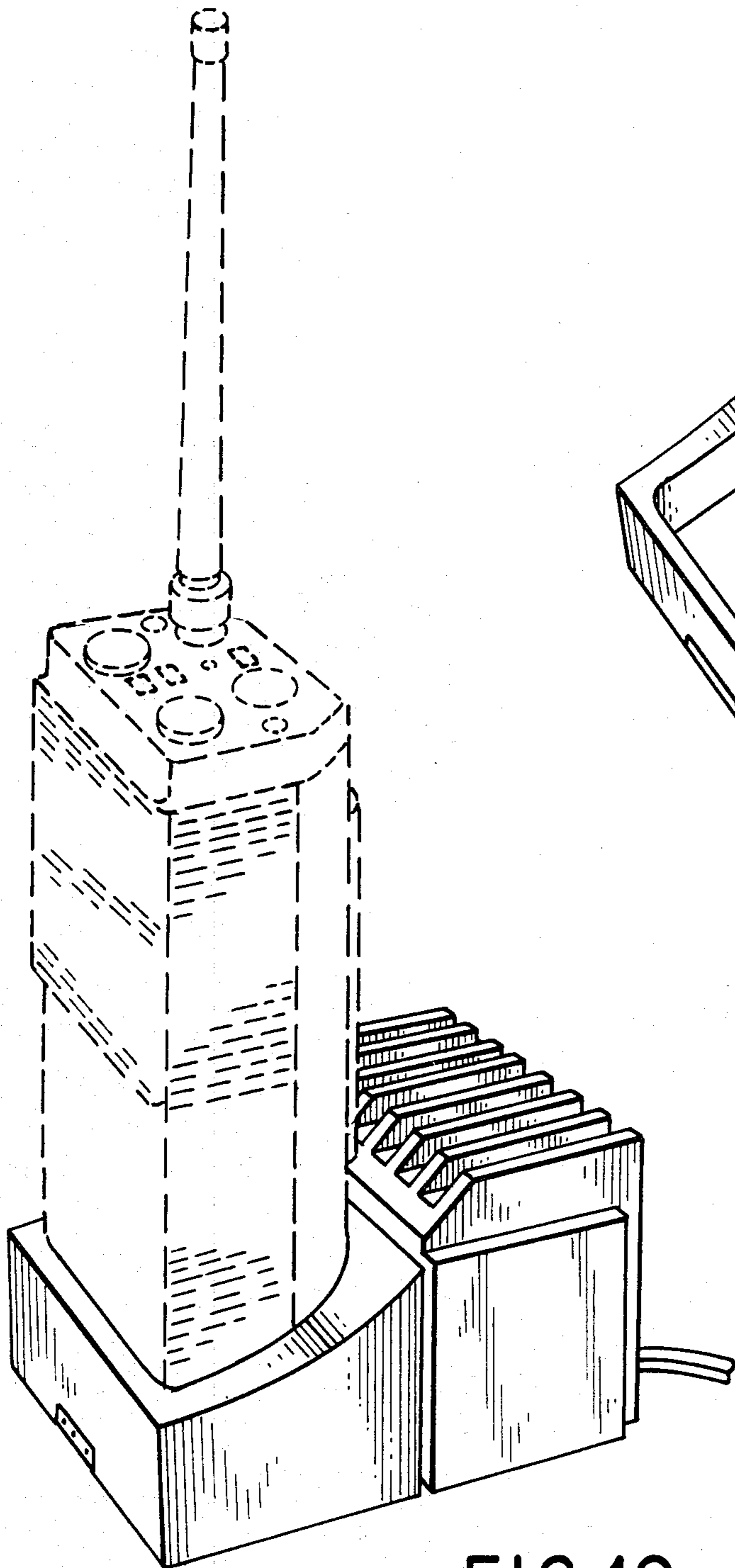


FIG. 10

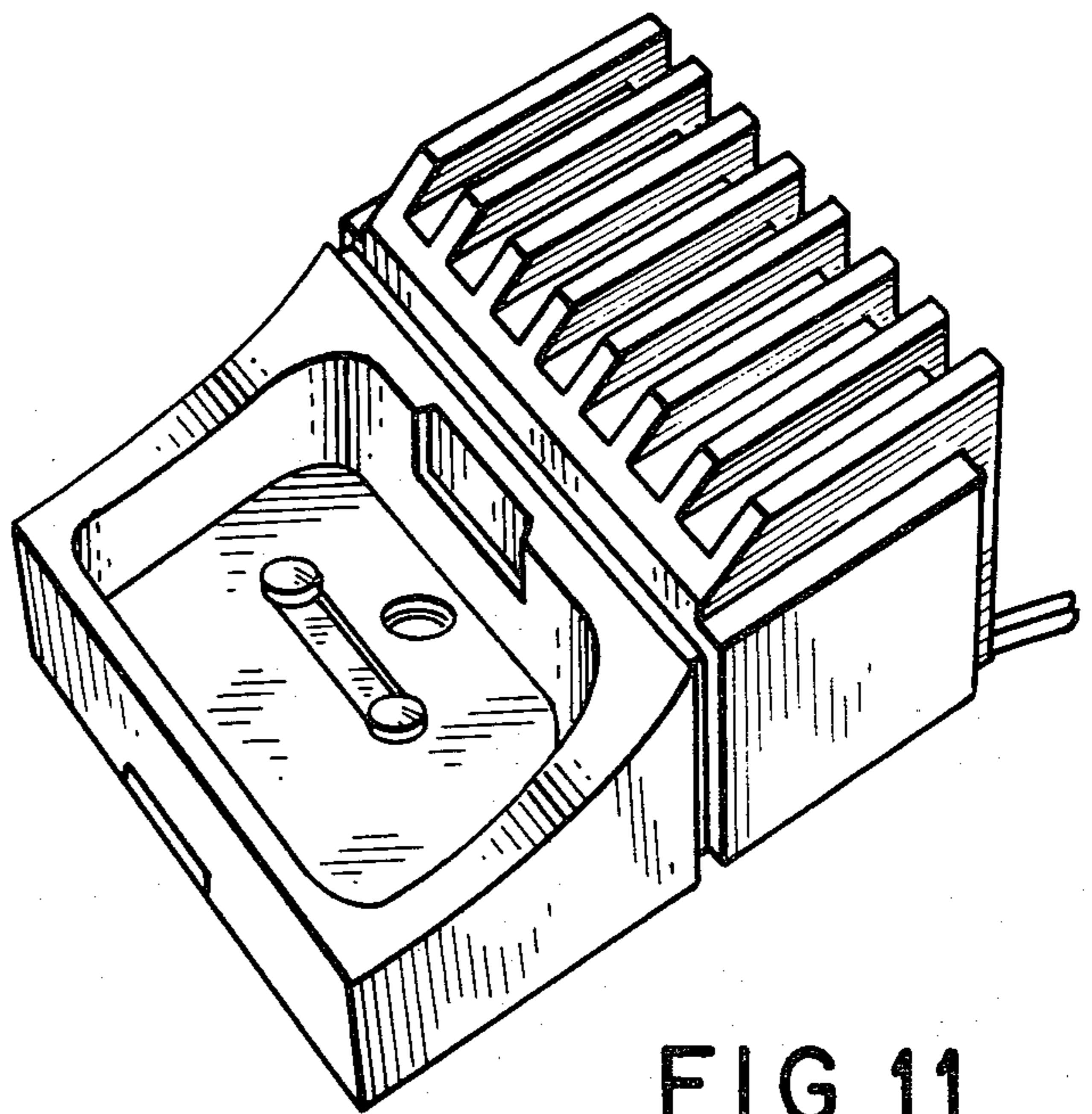


FIG. 11