

[54] HELICOPTER

[75] Inventor: George W. Johnston, Jr., Arlington, Tex.

[73] Assignee: Bell Helicopter Textron Inc., Providence, R.I.

[**] Term: 14 Years

[21] Appl. No.: 175,574

[22] Filed: Aug. 5, 1980

[52] U.S. Cl. D12/327

[58] Field of Search D12/327; 416/244 R, 416/244 A, 245 C

[56] References Cited

U.S. PATENT DOCUMENTS

D. 239,710 4/1976 Garrison D12/327

OTHER PUBLICATIONS

Flight International, Jan. 3 1974, p. 11, Helicopter in three views at bottom of page.

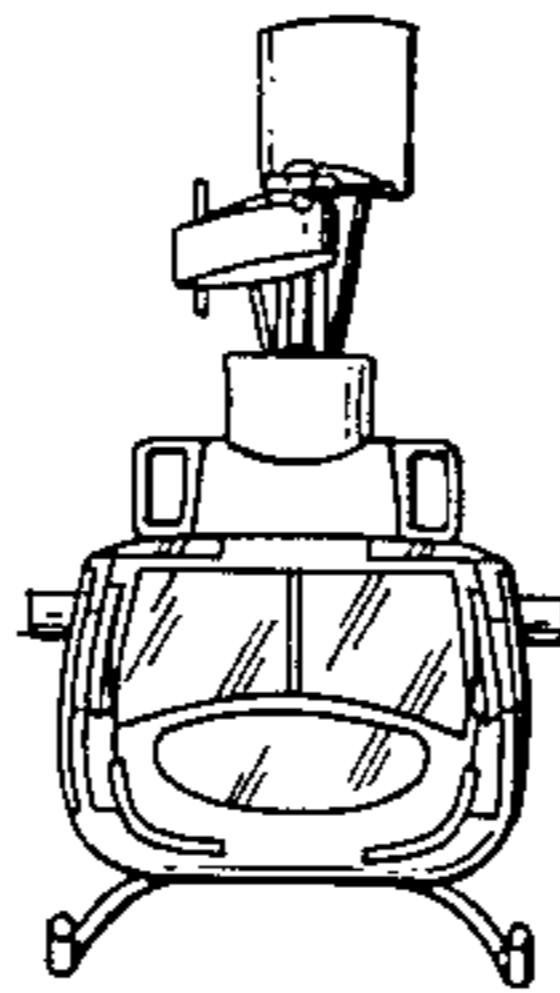
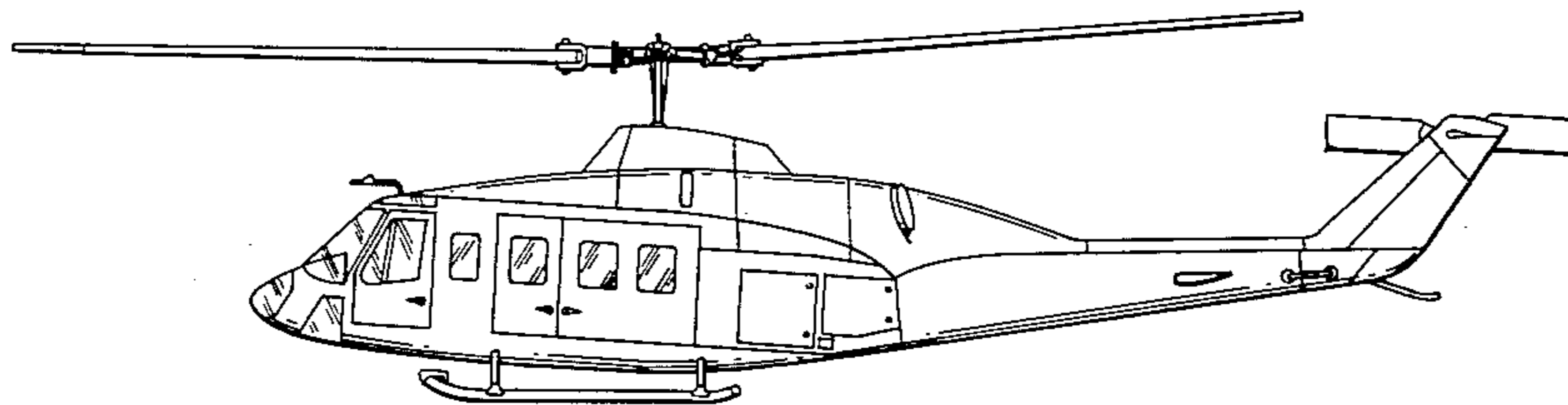
Primary Examiner—Alan P. Douglas
Attorney, Agent, or Firm—Richards, Harris, Medlock & Andrews

[57] CLAIM

The ornamental design for a helicopter, as shown.

DESCRIPTION

FIG. 1 is a top view of the helicopter;
FIG. 2 is a left side view of the helicopter;
FIG. 3 is a front view of the helicopter;
FIG. 4 is a right side view of the helicopter;
FIG. 5 is a bottom view of the helicopter; and
FIG. 6 is a rear view of the helicopter.



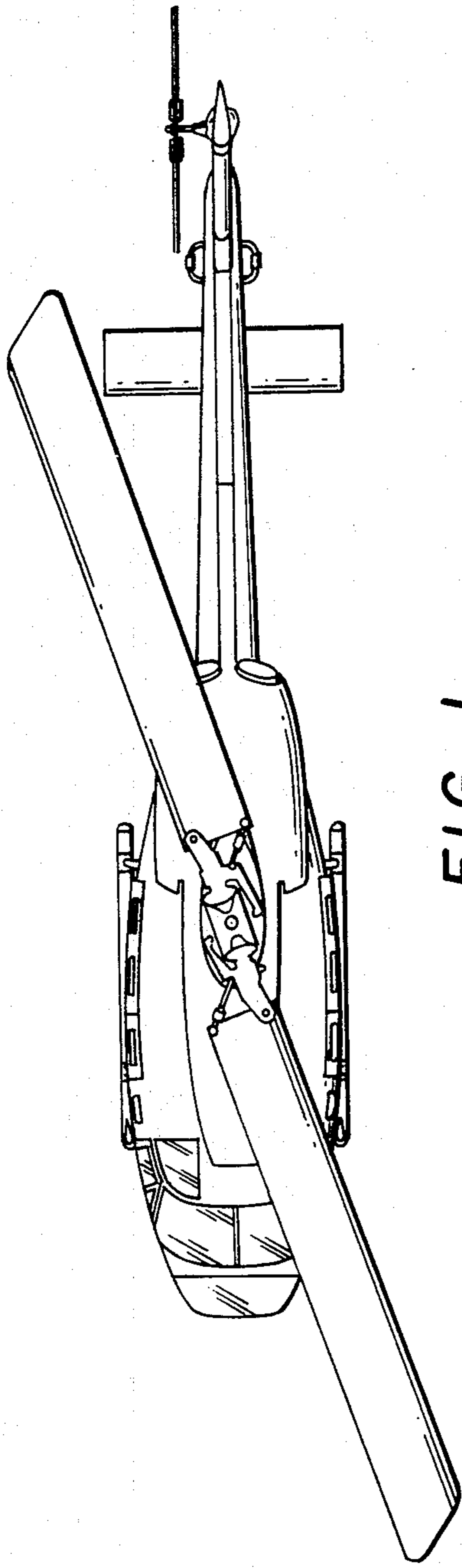


FIG. 1

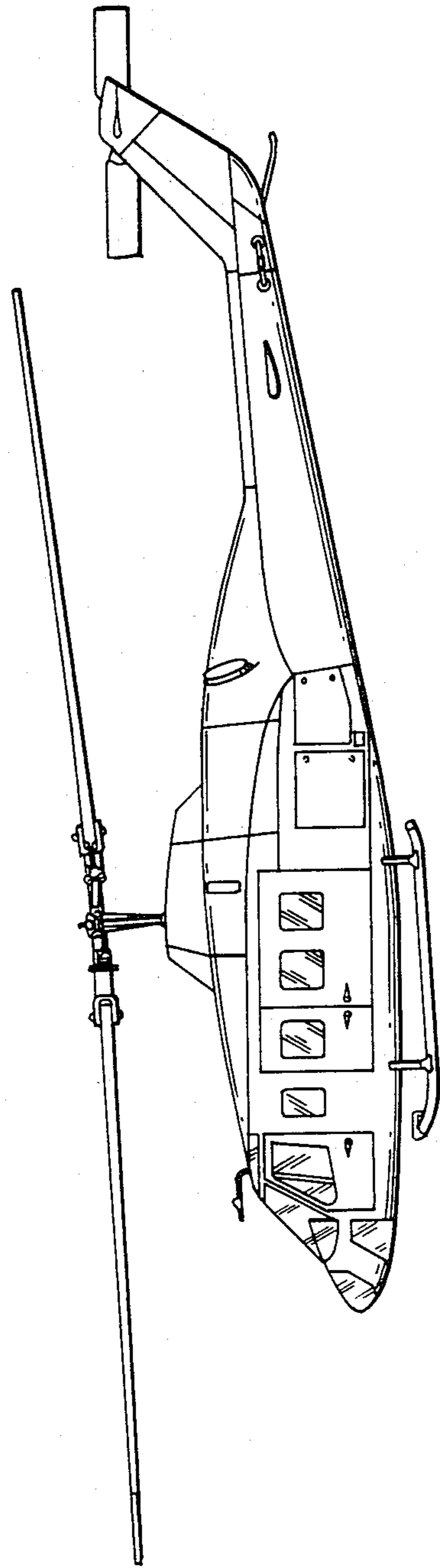


FIG. 2

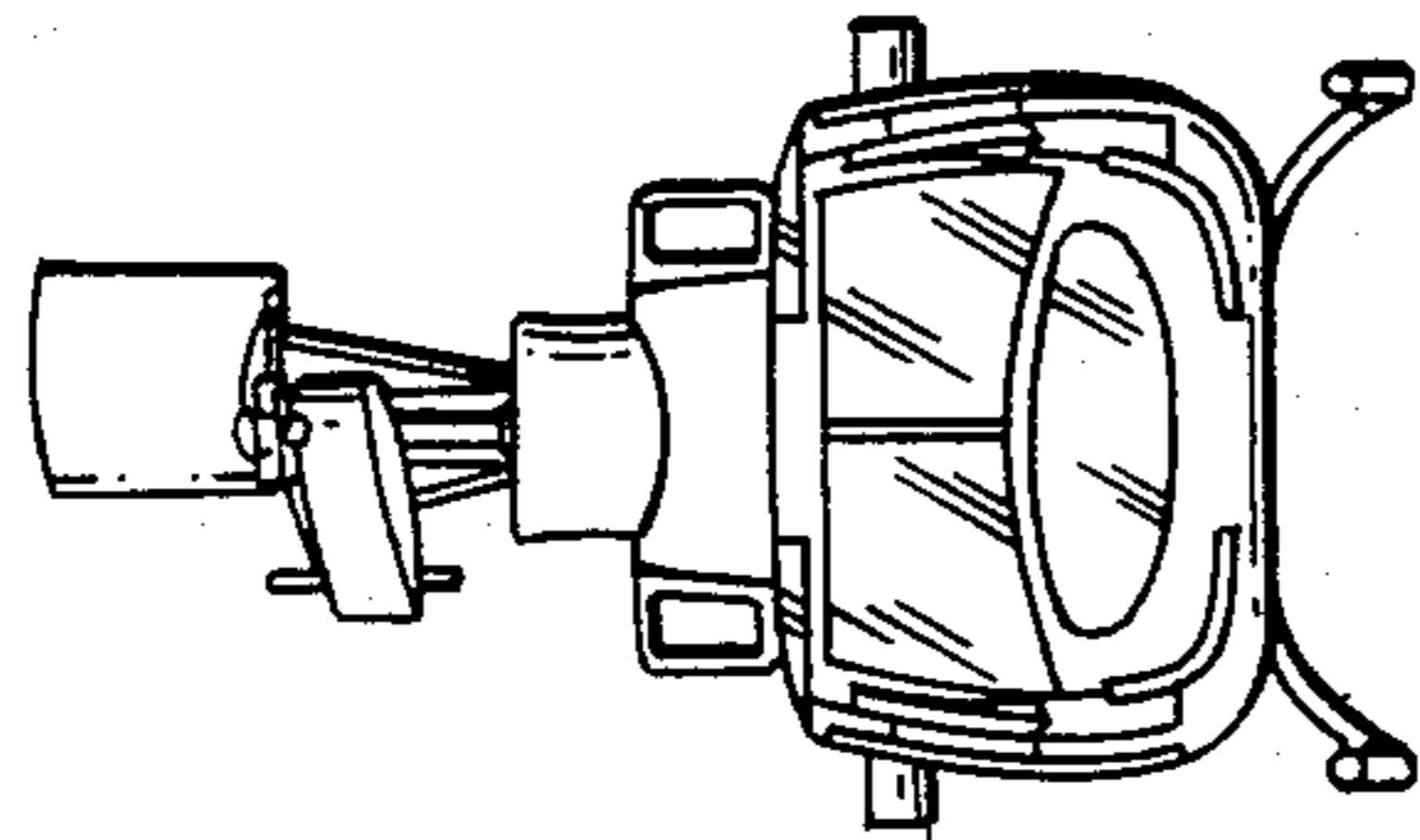


FIG. 3

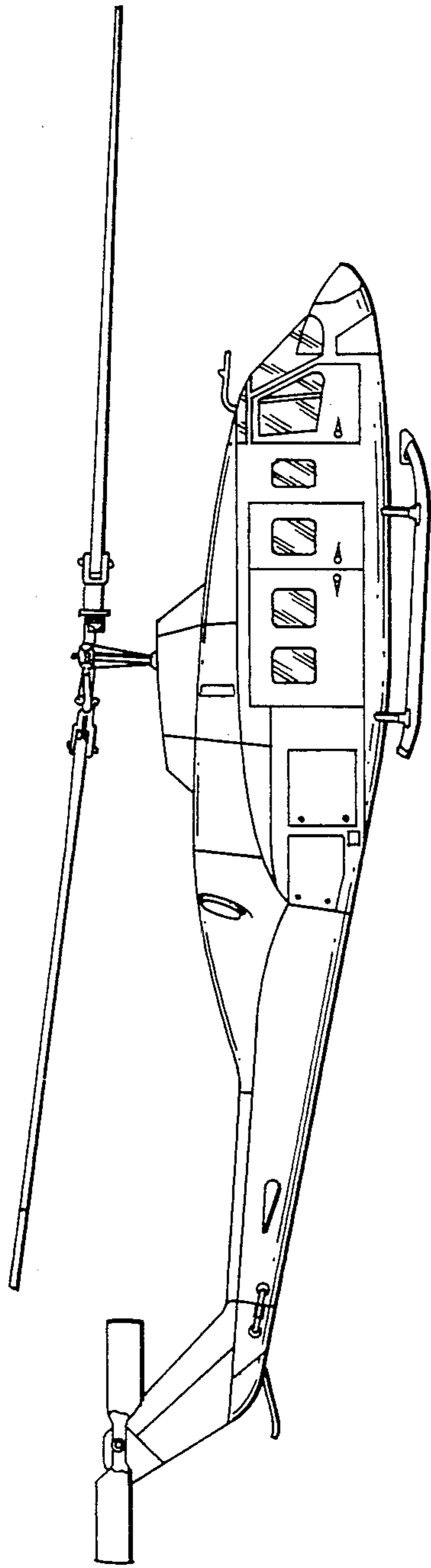


FIG. 4

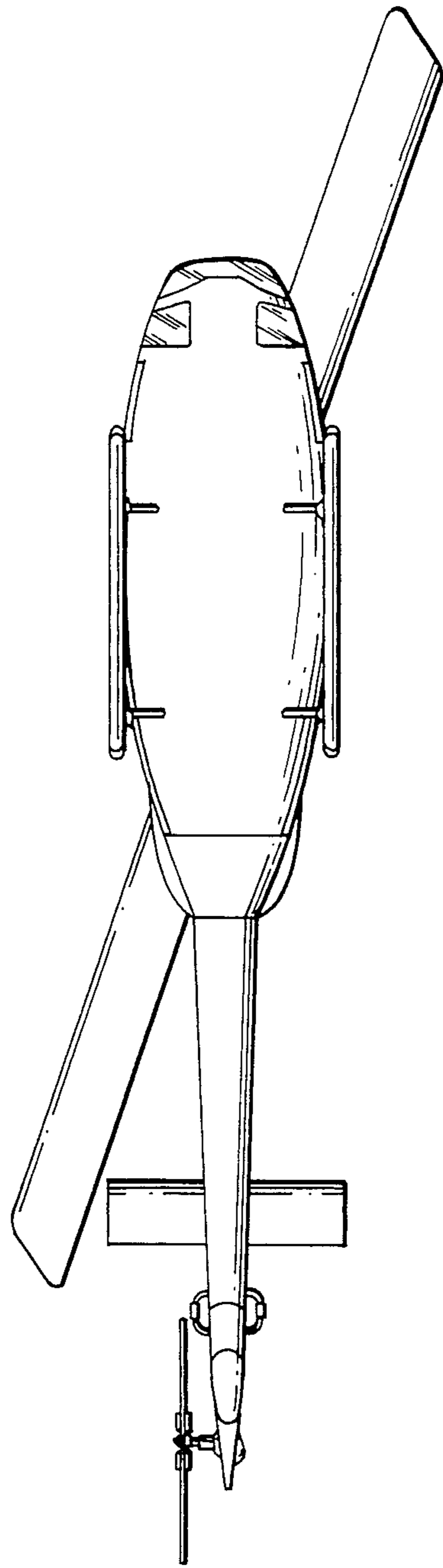


FIG. 5

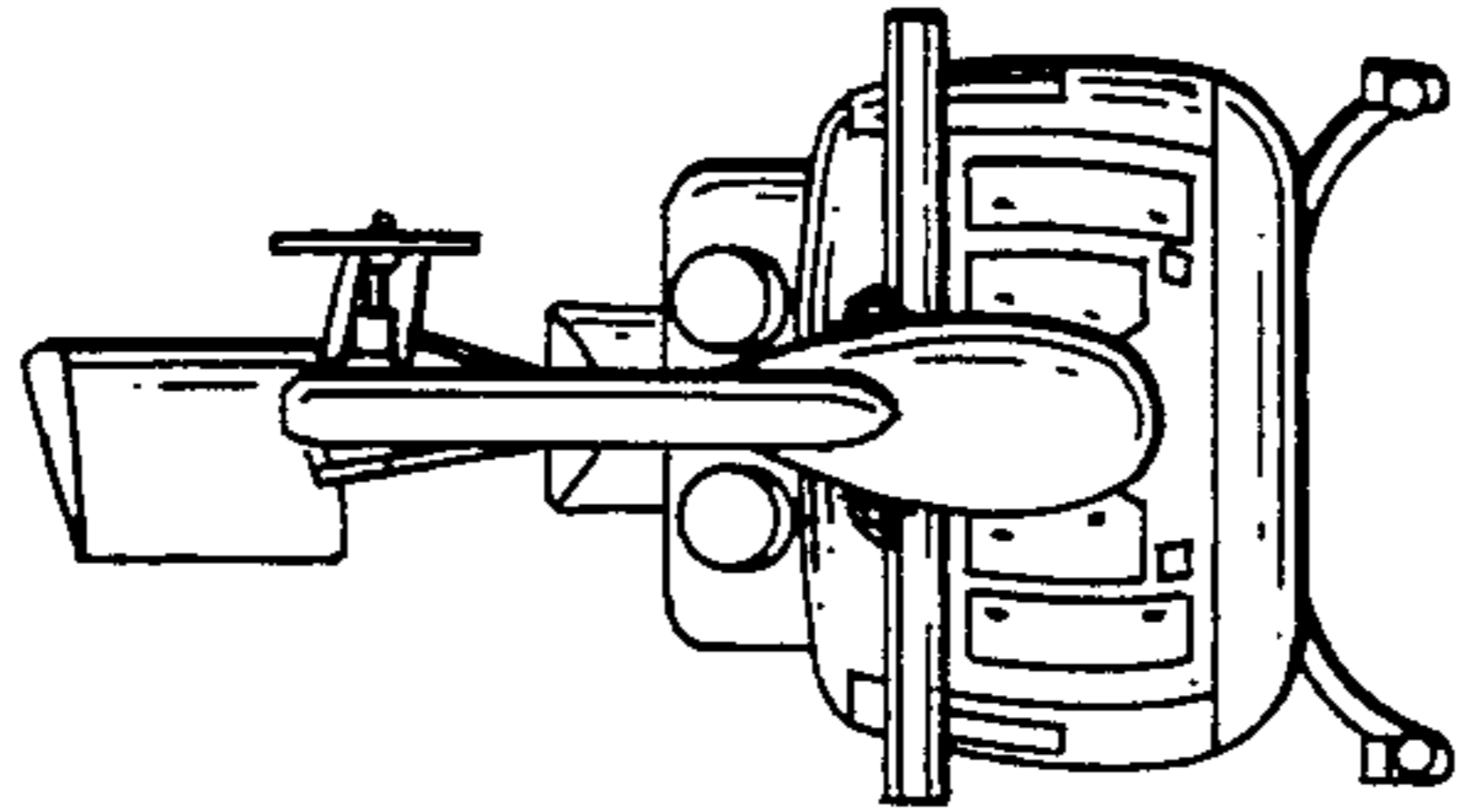


FIG. 6