

[54] INTRUSION RADAR DEVICE

[75] Inventor: Robert E. Patterson, Lee's Summit, Mo.

[73] Assignee: M. P. H. Industries, Inc., Chanute, Kans.

[**] Term: 14 Years

[21] Appl. No.: 363,654

[22] Filed: Mar. 30, 1982

[52] U.S. Cl. D10/106; D26/63

[58] Field of Search D10/104-113, D10/121, 116-121; 343/711, 713, 721; 340/541, 542, 552, 551, 553, 561, 562, 565, 566, 522; D26/63

[56] References Cited

U.S. PATENT DOCUMENTS

- D. 194,210 12/1962 Midlock D10/104
- D. 225,405 12/1972 Szeles D10/104
- D. 226,857 4/1973 Brock D10/104

- D. 245,404 8/1977 Koncak et al. D10/116
- 2,511,937 6/1950 Natale D26/63

FOREIGN PATENT DOCUMENTS

- 0220514 11/1962 Japan D26/63

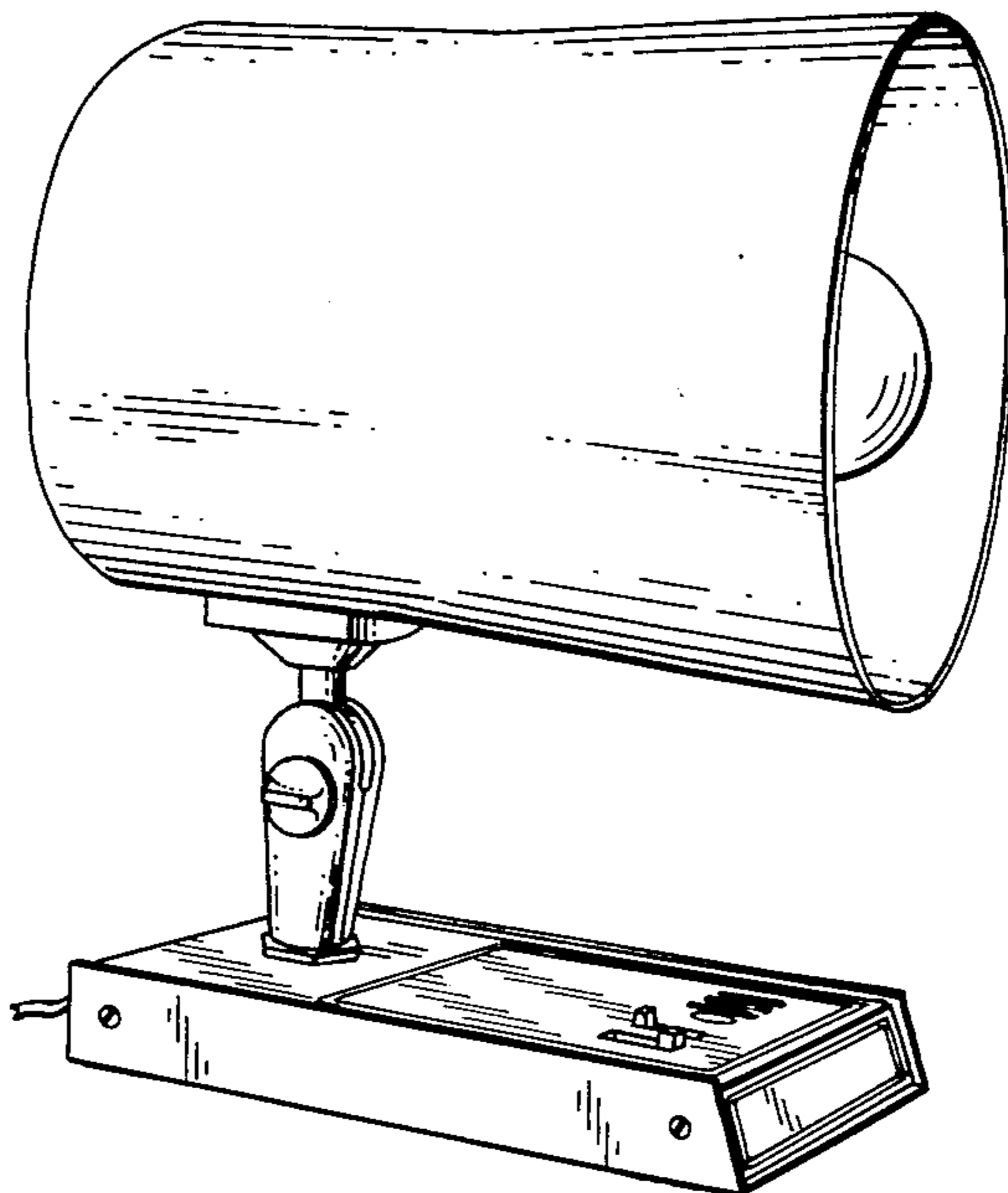
Primary Examiner—B. J. Bullock
Assistant Examiner—Suzanne N. Gitlin
Attorney, Agent, or Firm—D. A. N. Chase; Michael Yakimo, Jr.

[57] CLAIM

The ornamental design for an intrusion radar device, as shown and described.

DESCRIPTION

FIG. 1 is a perspective view of an intrusion radar device showing my new design;
FIG. 2 is a side elevational view taken from the left of FIG. 1;
FIG. 3 is a front elevational view thereof;
FIG. 4 is a rear elevational view thereof; and
FIG. 5 is a side elevational view taken from the right of FIG. 1.



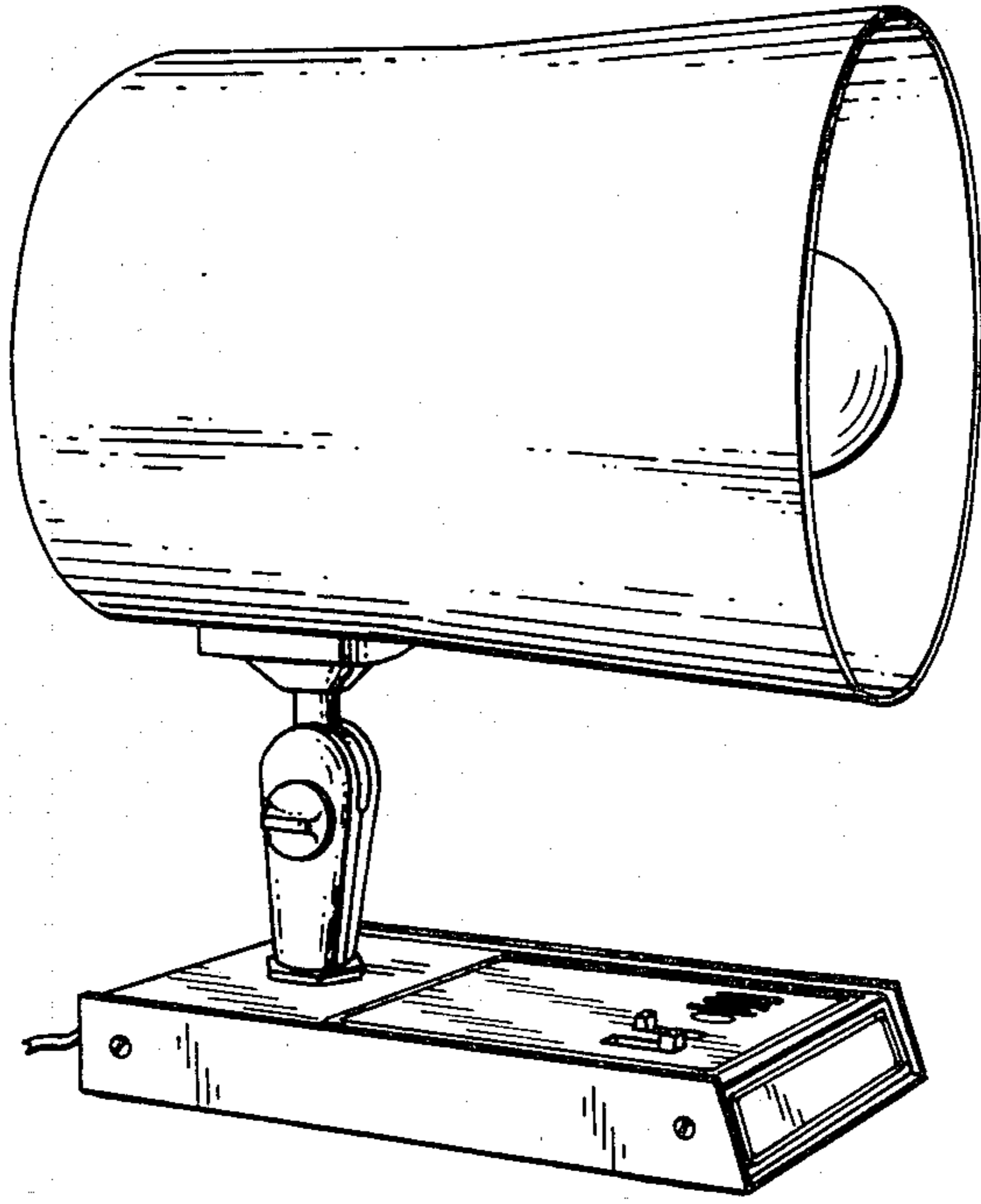


Fig. 1.

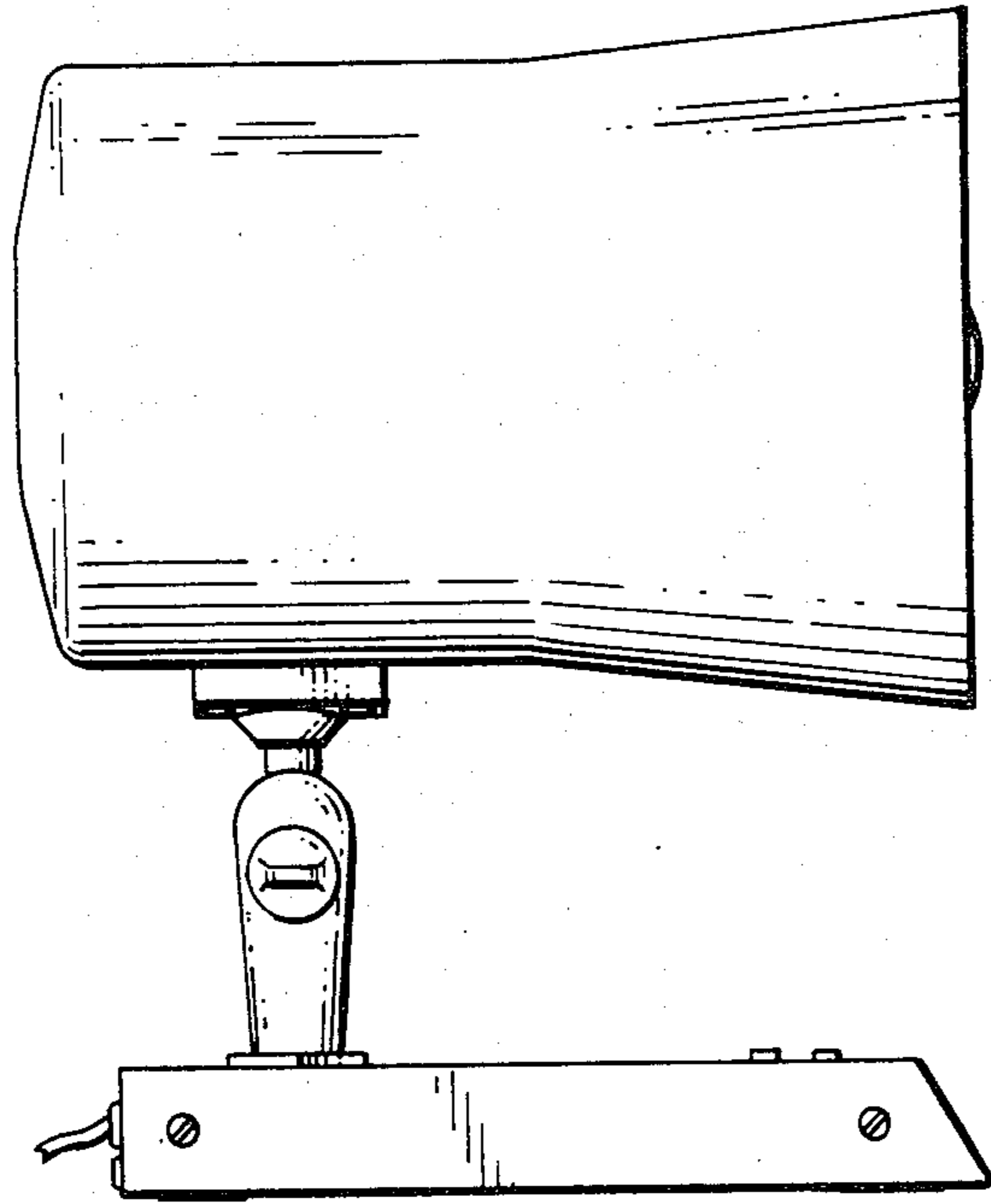


Fig. 2.

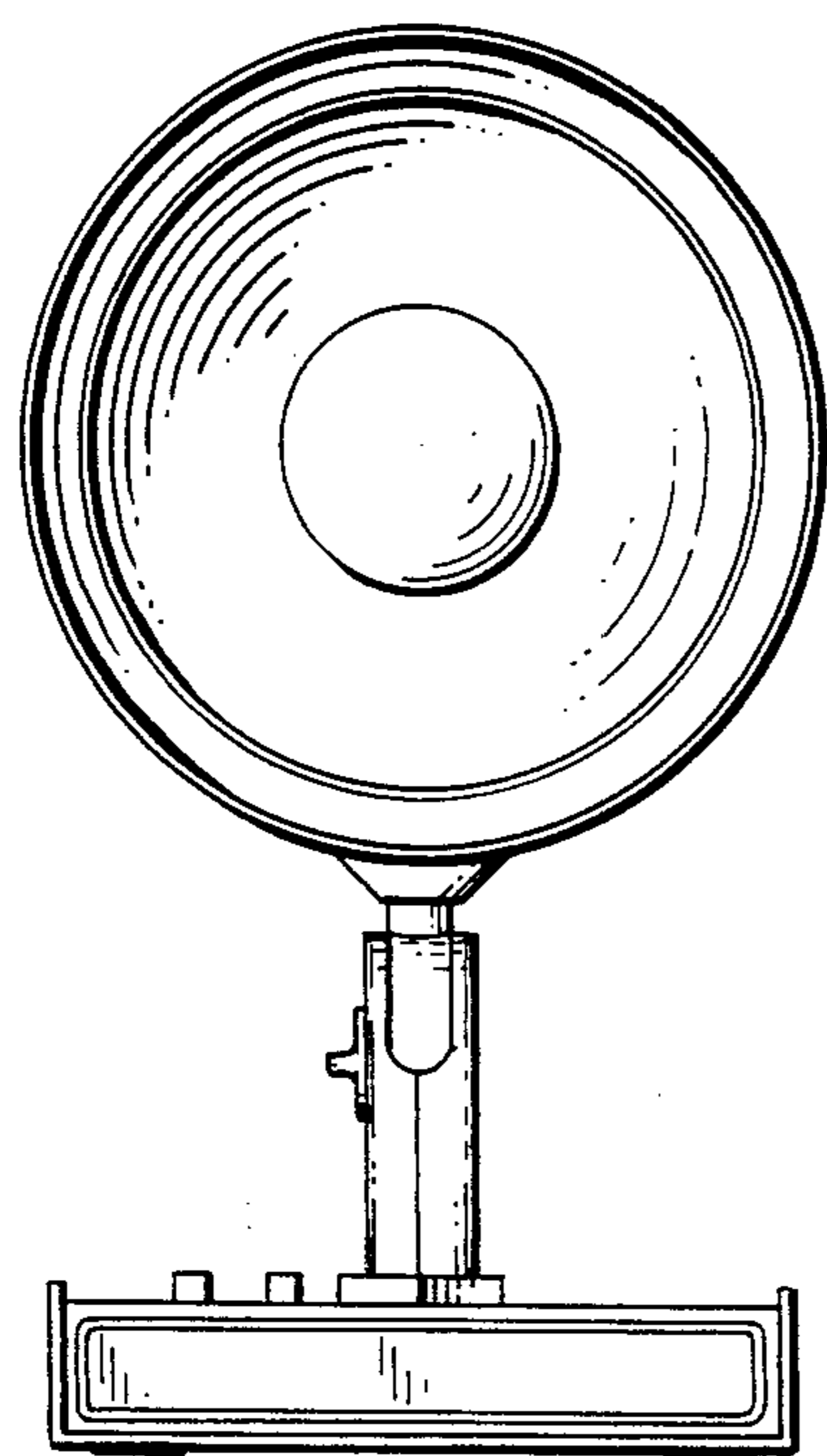


Fig. 3.

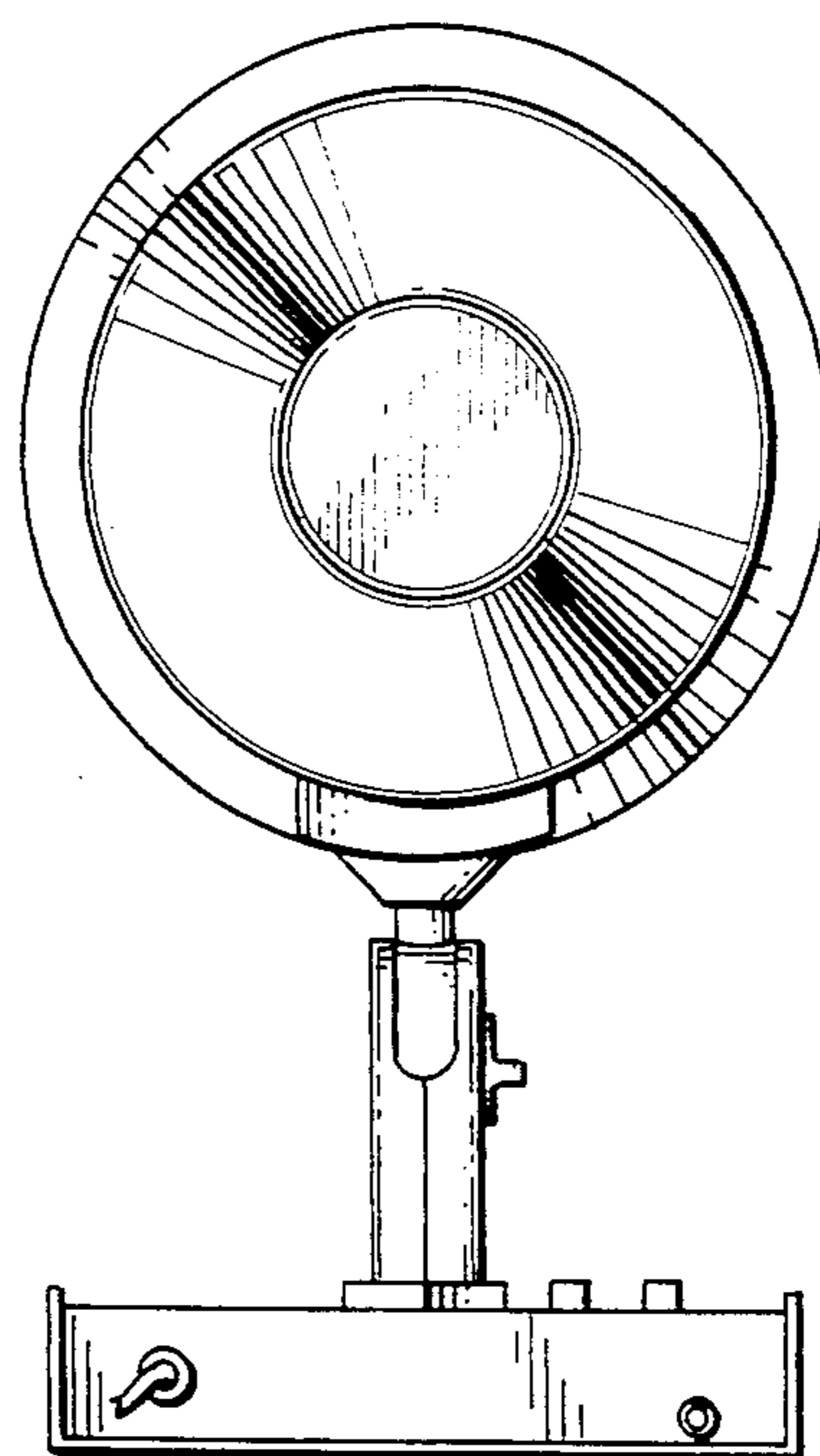


Fig. 4.

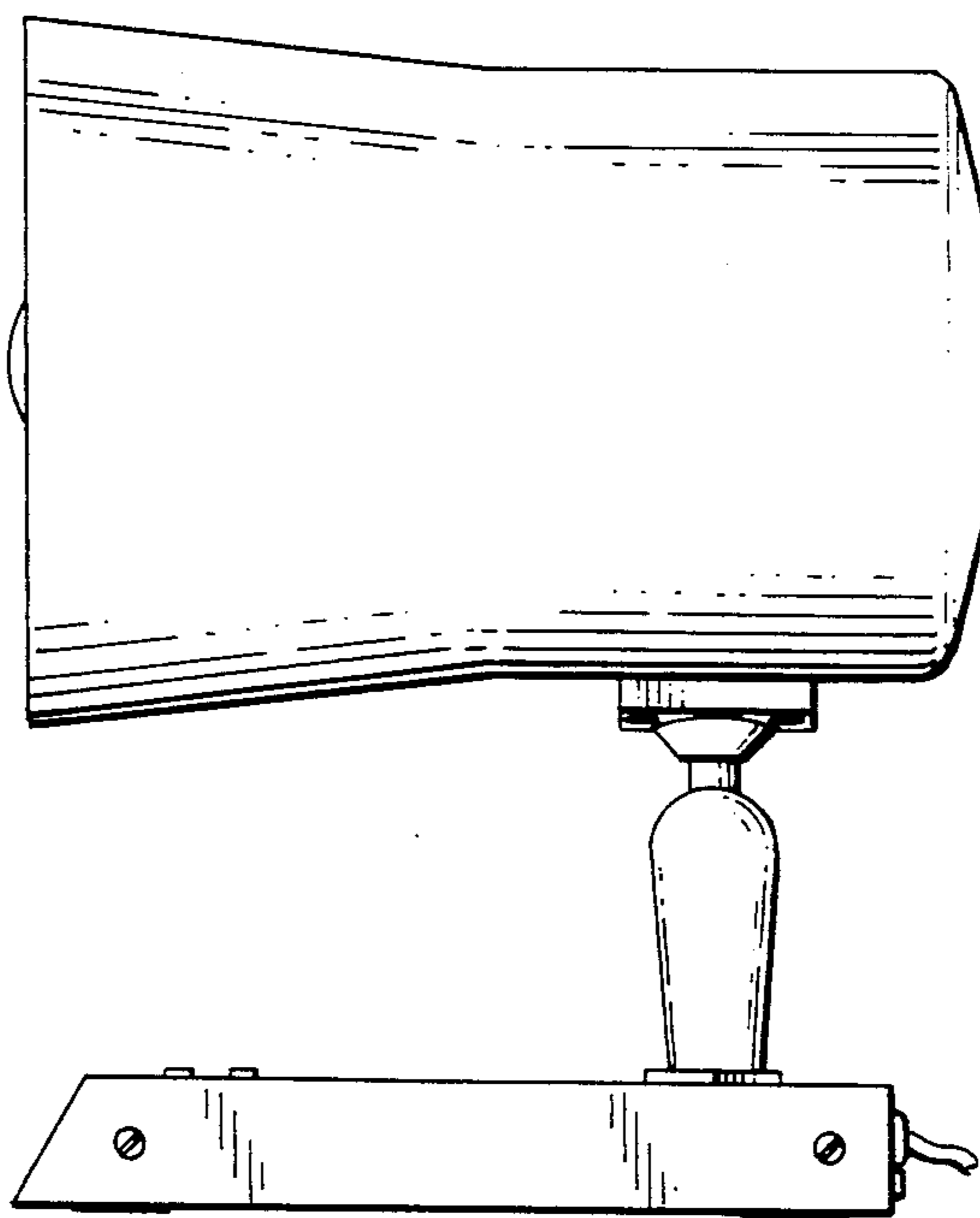


Fig. 5.