

United States Patent [19]

Evans

[11] Patent Number: **Des. 278,214**

[45] Date of Patent: **** Apr. 2, 1985**

[54] **POSTAGE CONTROL AND COUNTER**

[75] Inventor: **Patrick J. Evans, Downers Grove, Ill.**

[73] Assignee: **Evcor Systems, Inc., Downers Grove, Ill.**

[**] Term: **14 Years**

[21] Appl. No.: **444,809**

[22] Filed: **Nov. 26, 1982**

[52] U.S. Cl. **D10/97; D13/40; D10/46; D10/78**

[58] Field of Search **D10/46, 47, 57, 75, D10/78, 80, 97; D13/40, 41; 235/1 R, 1 D**

[56] **References Cited**

U.S. PATENT DOCUMENTS

D. 225,860 1/1973 Kalvitis D13/41
D. 225,861 1/1973 Kalvitis D13/41

D. 247,227 2/1978 Bruni D10/46
D. 254,960 5/1980 Helm D10/75 X
D. 271,136 10/1983 Bolcinger D10/75 X
3,588,476 6/1971 Lapointe 235/1 D X

Primary Examiner—Nelson C. Holtje
Attorney, Agent, or Firm—Marshall, O'Toole, Gerstein, Murray & Bicknell

[57] CLAIM

The ornamental design for a postage control and counter, as shown and described.

DESCRIPTION

FIG. 1 is a top and right front perspective view of a postage control and counter showing my new design; FIG. 2 is a front elevational view thereof; FIG. 3 is a rear elevational view thereof; FIG. 4 is a top plan view thereof; FIG. 5 is a right side elevational view thereof, the right side being a mirror image thereof.

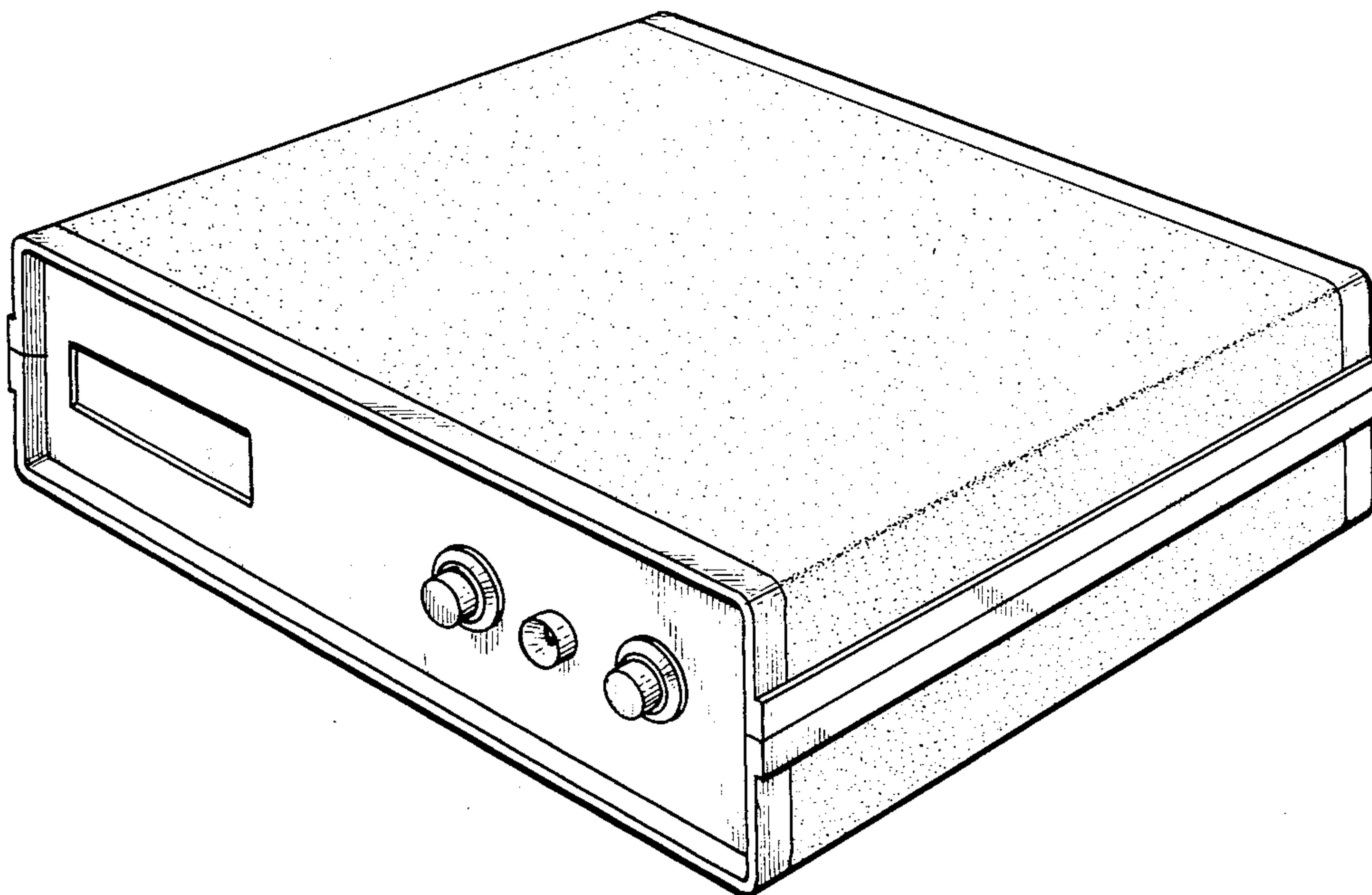


FIG. 1

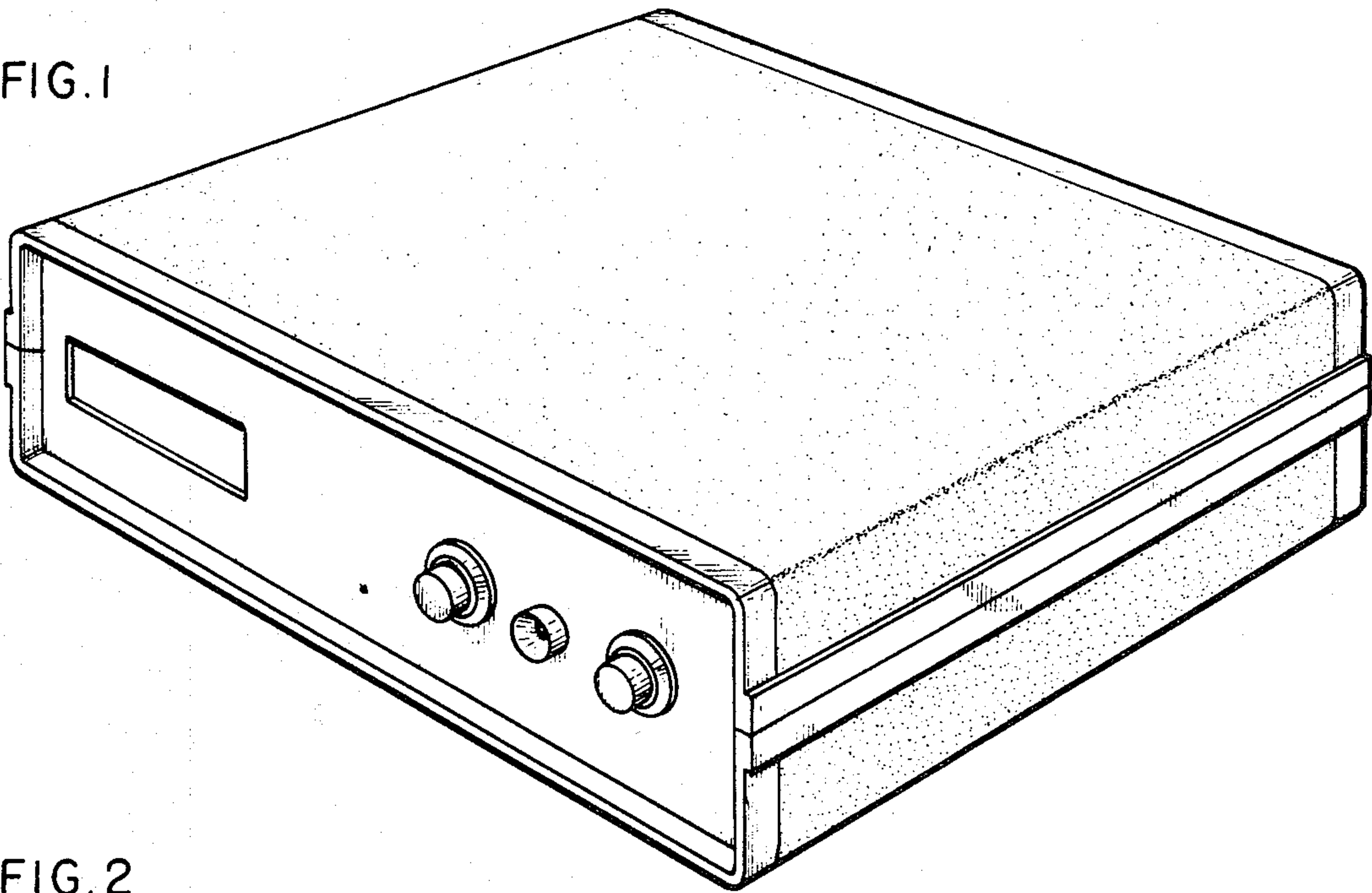


FIG. 2

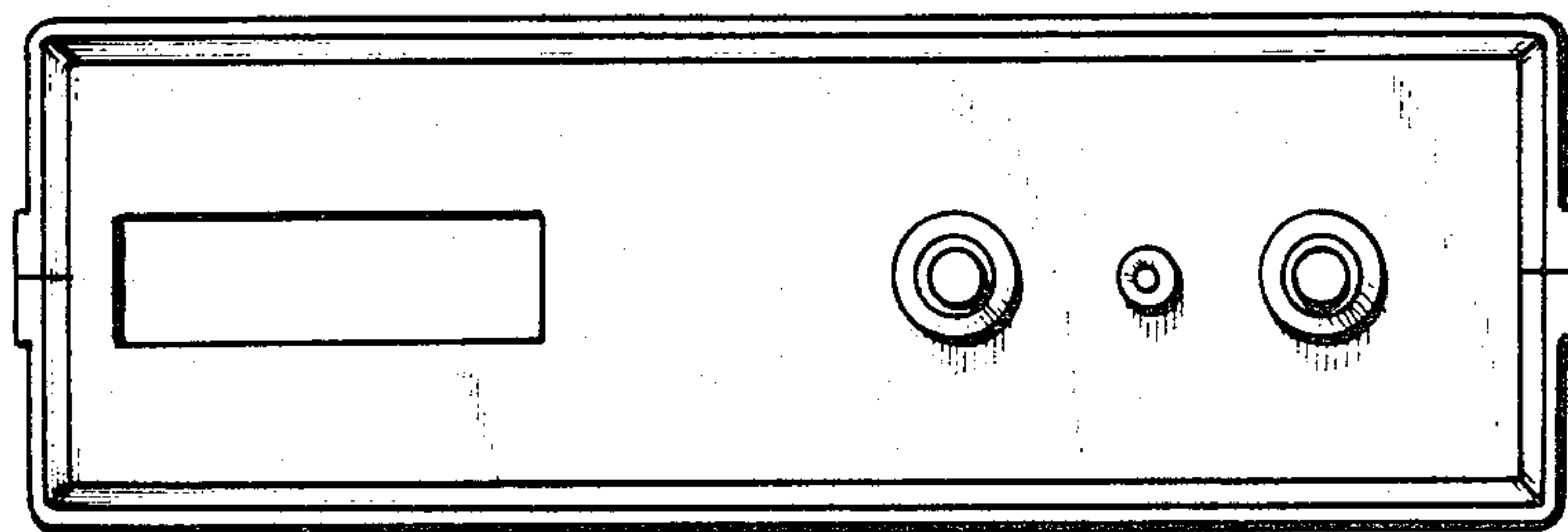


FIG. 3

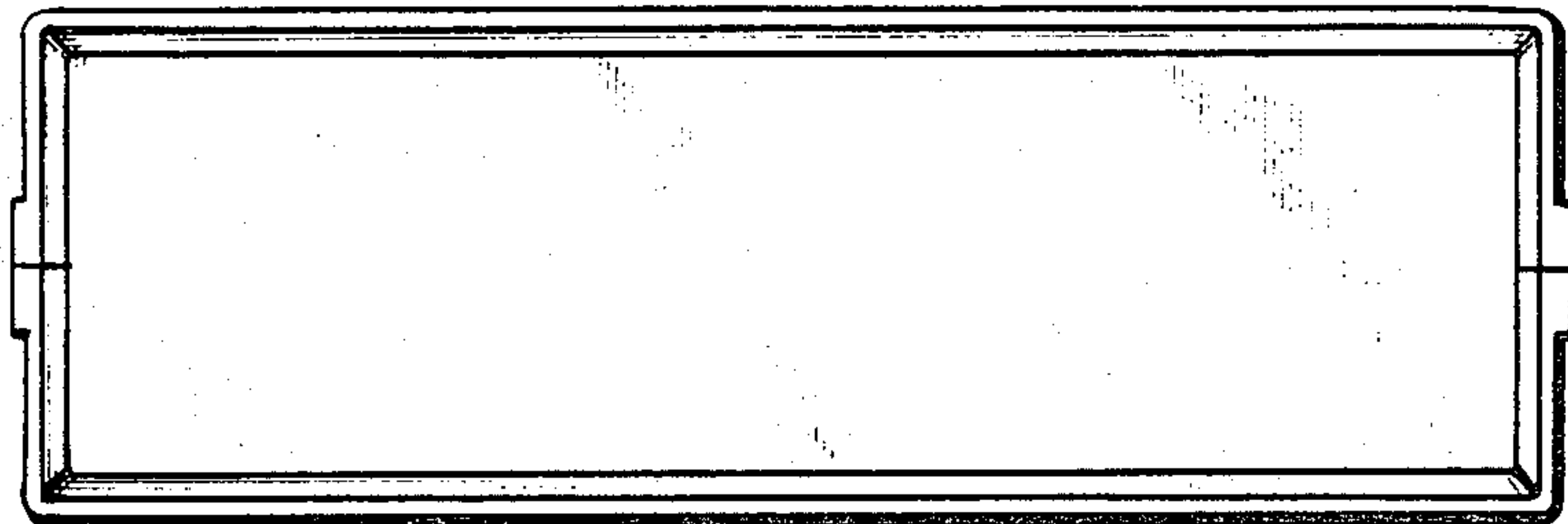


FIG. 4

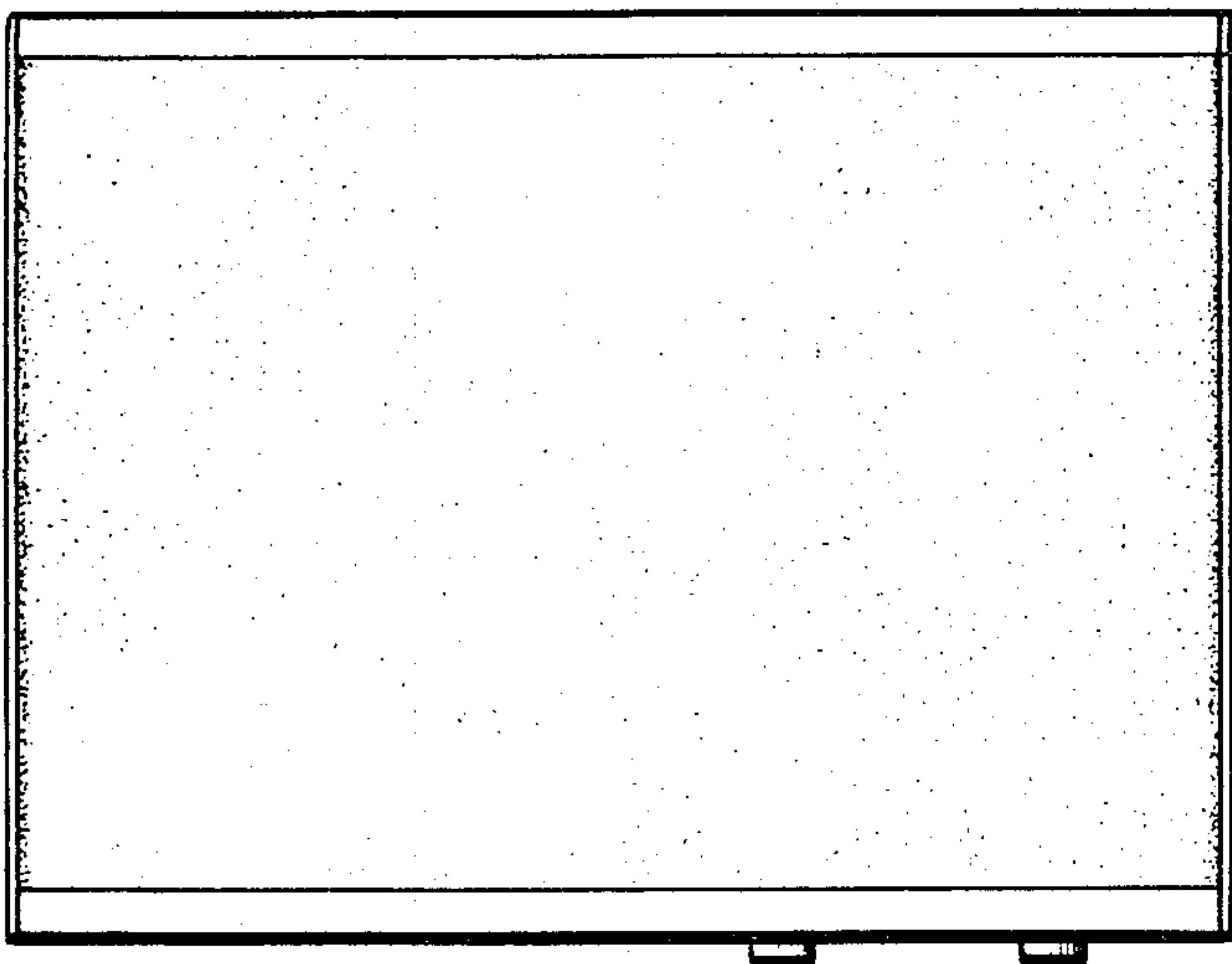


FIG. 5

