

[54] MEDICINE DISPENSER

[76] Inventor: John T. McLaughlin, 1839 Risa Pl., Glendale, Calif. 91208

[\*\*] Term: 14 Years

[21] Appl. No.: 441,652

[22] Filed: Nov. 15, 1982

[52] U.S. Cl. .... D9/339; D9/432

[58] Field of Search ..... 206/528, 461, 469, 531, 206/534; D9/339, 418, 424, 432; D19/51; D24/63; 229/7 R, 17 R, 11, 20

[56] References Cited

U.S. PATENT DOCUMENTS

D. 218,400	8/1970	Walter	.....	D9/339
D. 257,584	12/1980	Finkel	.....	206/528
D. 259,858	7/1981	Finkel	.....	D9/418
D. 263,879	4/1982	Mann	.....	D19/51 X

2,549,681	4/1951	Goldstaub	.....	206/528
4,298,125	11/1981	Berghahn et al.	.....	206/531

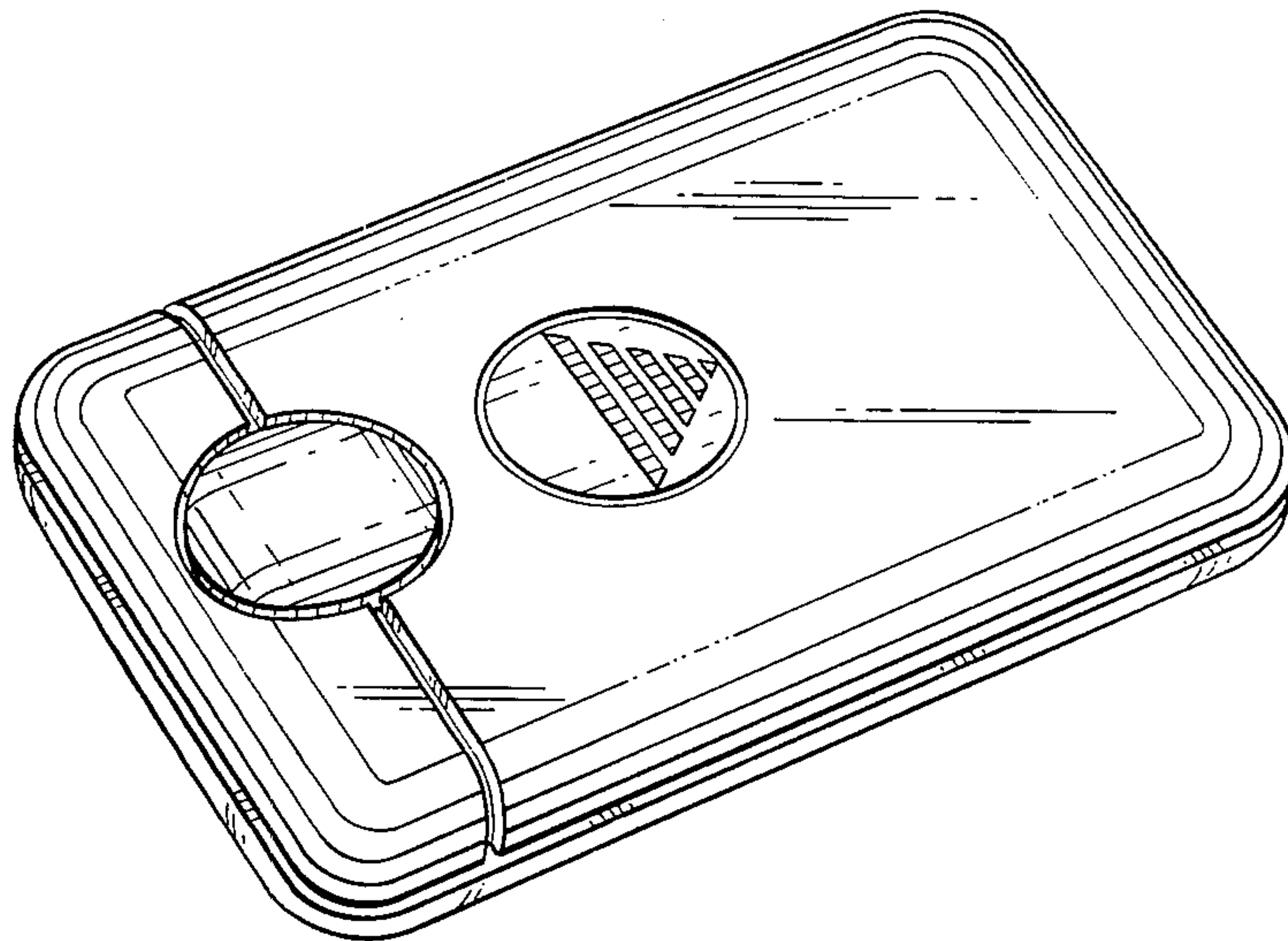
Primary Examiner—Robert C. Spangler  
Attorney, Agent, or Firm—Ralph B. Pastoriza; John E. Kelly

[57] CLAIM

The ornamental design for a medicine dispenser, substantially as shown.

DESCRIPTION

FIG. 1 is a perspective view of a medicine dispenser showing my new design;  
FIG. 2 is a right side elevational view thereof;  
FIG. 3 is a top plan view thereof;  
FIG. 4 is a left side elevational view thereof;  
FIG. 5 is a bottom plan view thereof;  
FIG. 6 is a front elevational view thereof; and,  
FIG. 7 is a rear elevational view thereof.



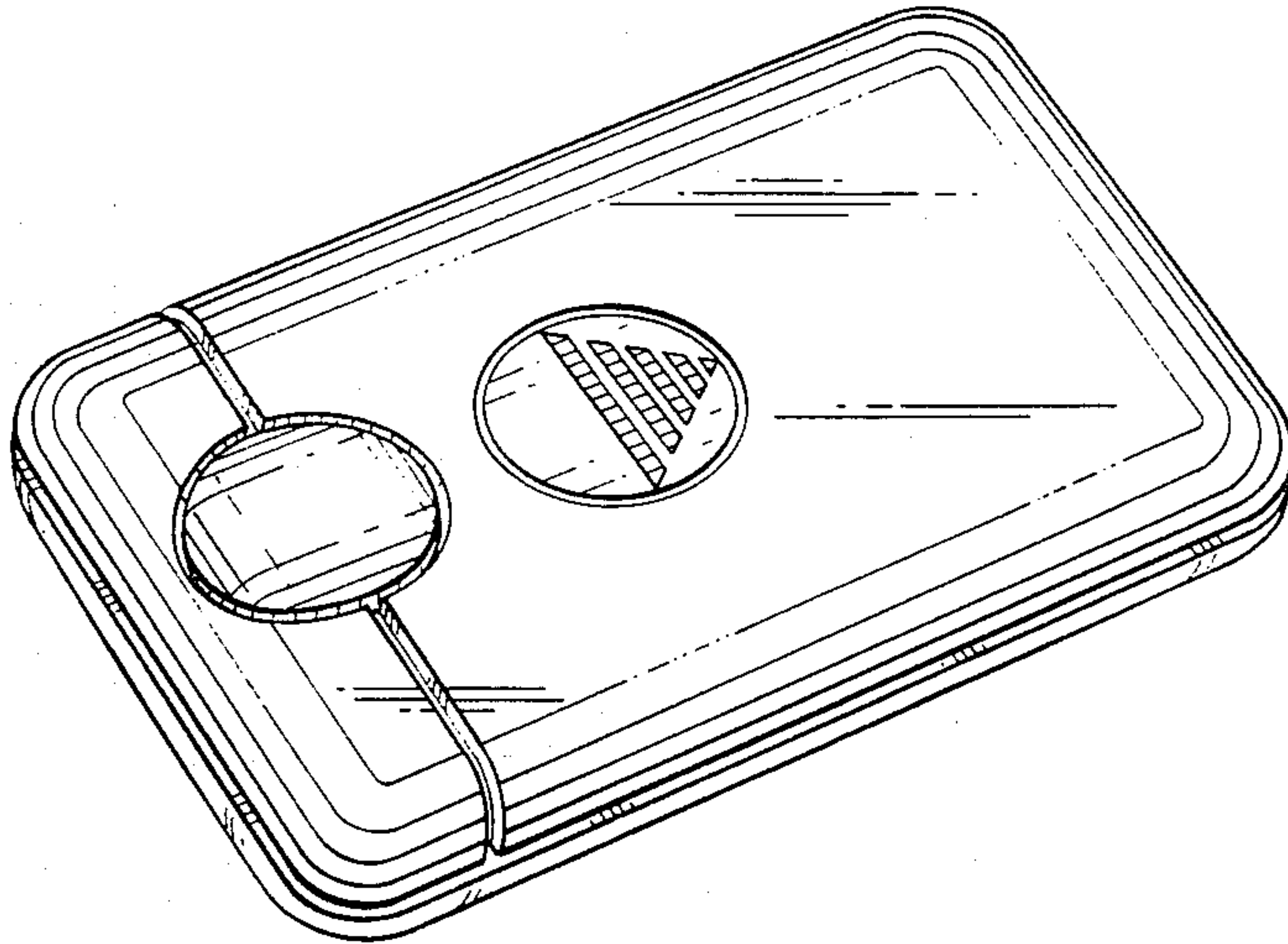


FIG. 1

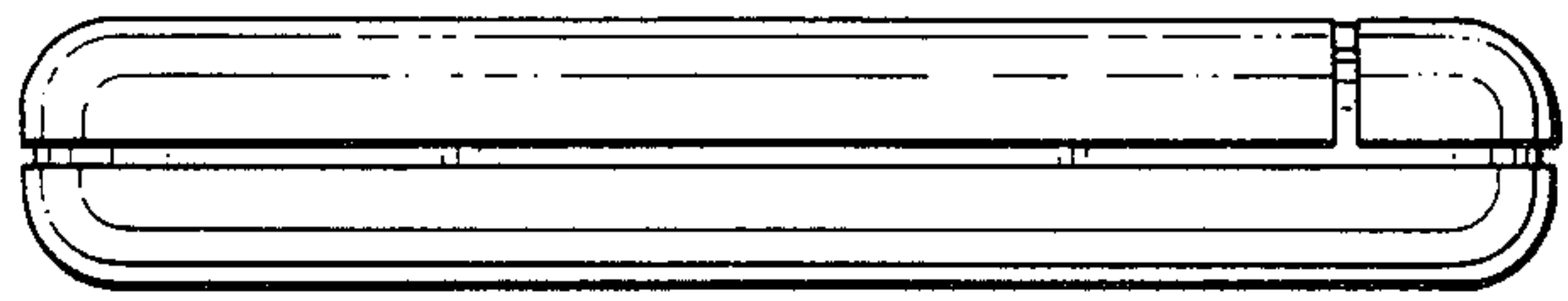


FIG. 2

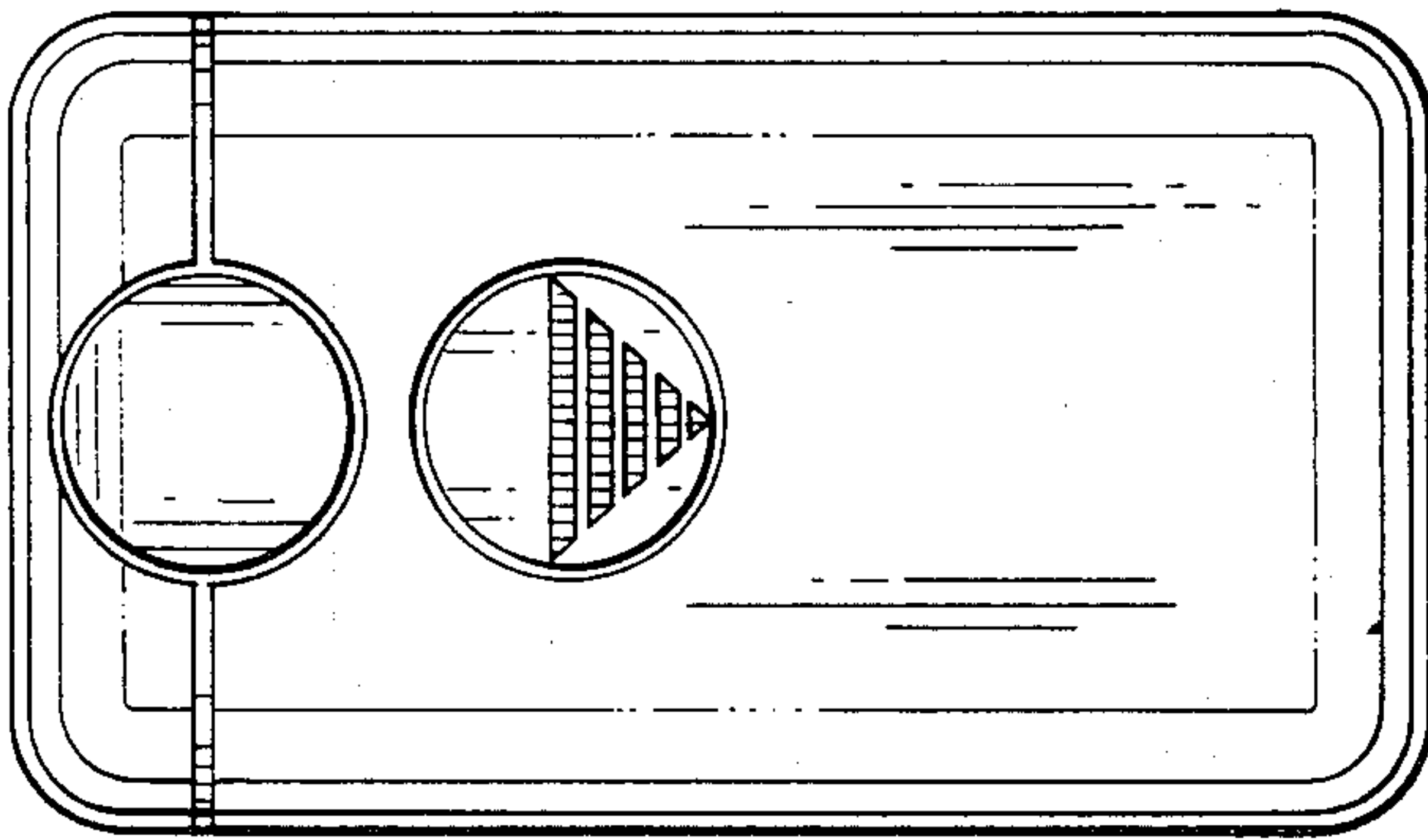


FIG. 3

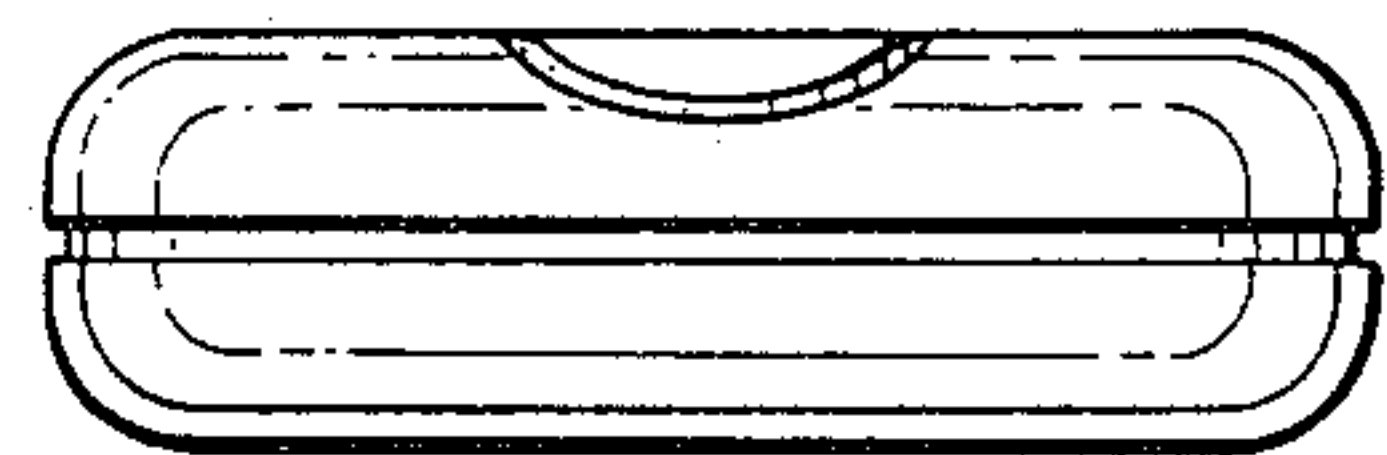


FIG. 6

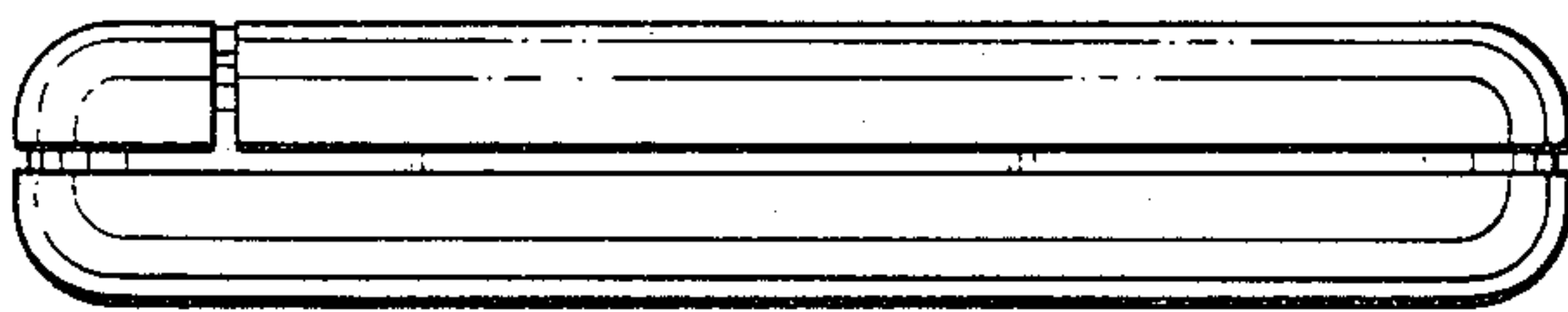


FIG. 4

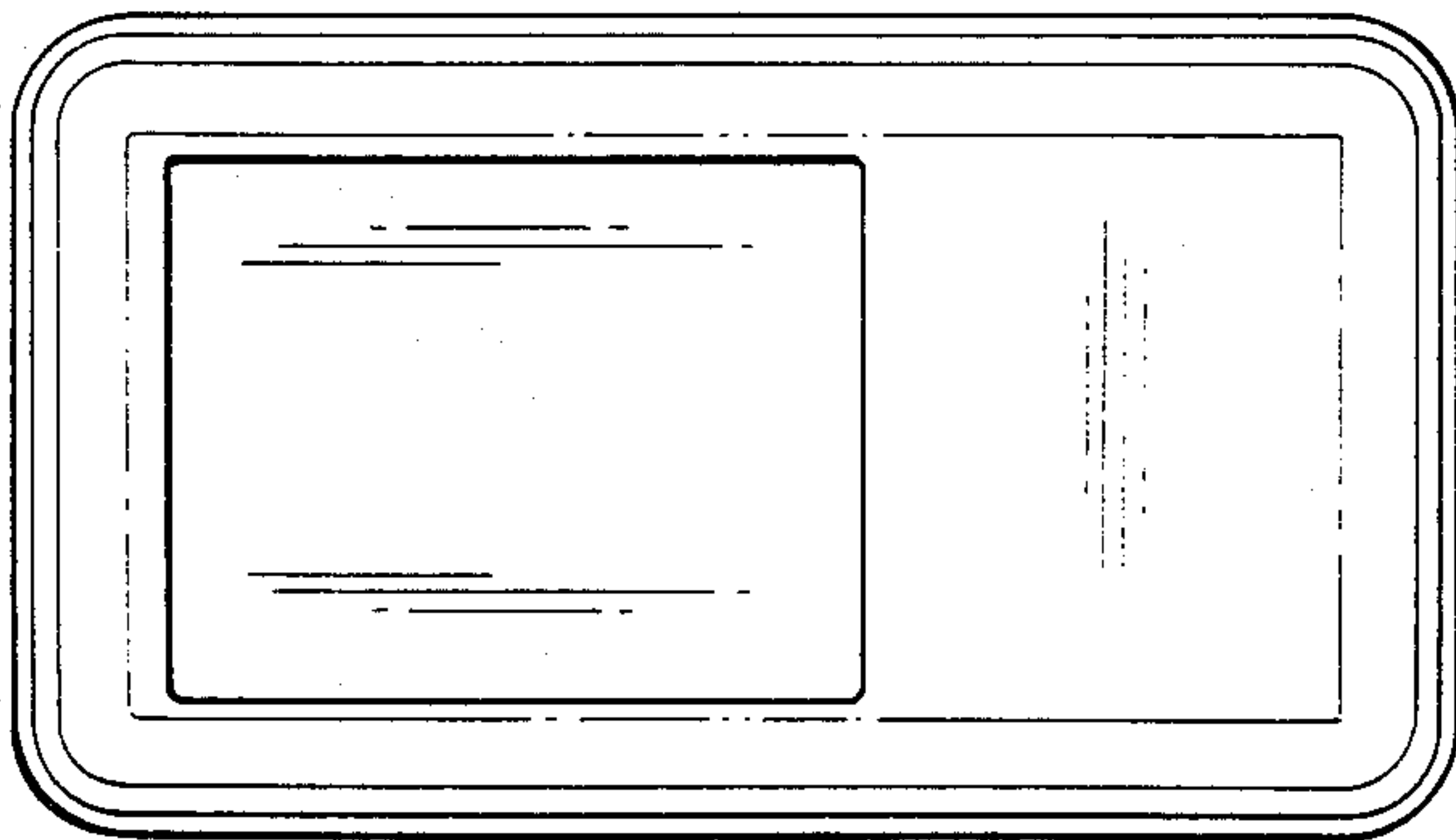


FIG. 5

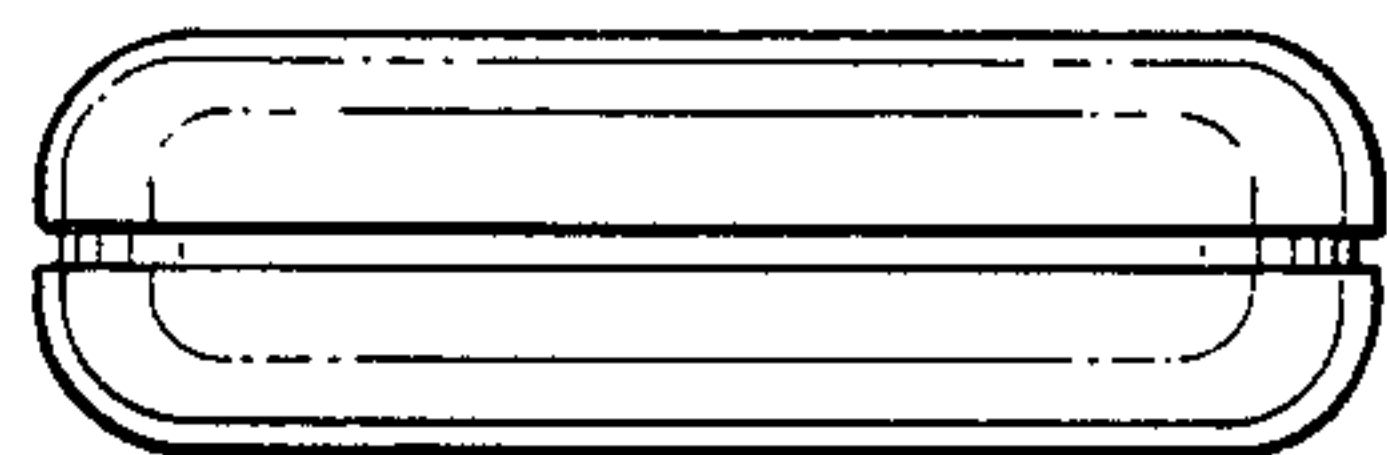


FIG. 7