

[54] COMBINED SHIPPING, STORAGE AND PACKAGING CONTAINER

[76] Inventor: Laura M. Burdick, 330 4th Ave., Apt. B, Venice, Calif. 90291

[**] Term: 14 Years

[21] Appl. No.: 430,132

[22] Filed: Sep. 30, 1982

[52] U.S. Cl. D9/327

[58] Field of Search 229/52 R, 52 A, 52 B, 229/54 R; 190/900, 902, 100, 113, 115; D3/71, 72, 76-79; D9/418, 414, 420, 432, 431, 327; 383/26

[56] References Cited

U.S. PATENT DOCUMENTS

- D. 218,871 9/1970 Schneider D3/71
- D. 263,116 2/1982 Cain D9/432 X
- D. 263,793 4/1982 Magee D9/433
- D. 265,723 8/1982 Rosenthal D9/418 X

- D. 269,738 7/1983 Stark D3/71 X
- 2,025,101 12/1935 Halpin 190/115
- 2,574,786 11/1951 Hiatt D3/76 X
- 3,038,513 6/1962 Hamlett D3/71 X
- 3,578,115 5/1971 Schneider 190/115
- 3,931,916 1/1976 Blue et al. 229/52 A X

Primary Examiner—Robert C. Spangler
Attorney, Agent, or Firm—Romney, Golant, Martin & Ashen

[57] CLAIM

The ornamental design for a combined shipping, storage and packaging container, as shown.

DESCRIPTION

FIG. 1 is a front perspective view of a combined shipping, storage and packaging container showing my new design;

FIG. 2 is a rear elevational view;

FIG. 3 is a side elevational view;

FIG. 4 is a top plan view; and

FIG. 5 is a bottom plan view thereof.

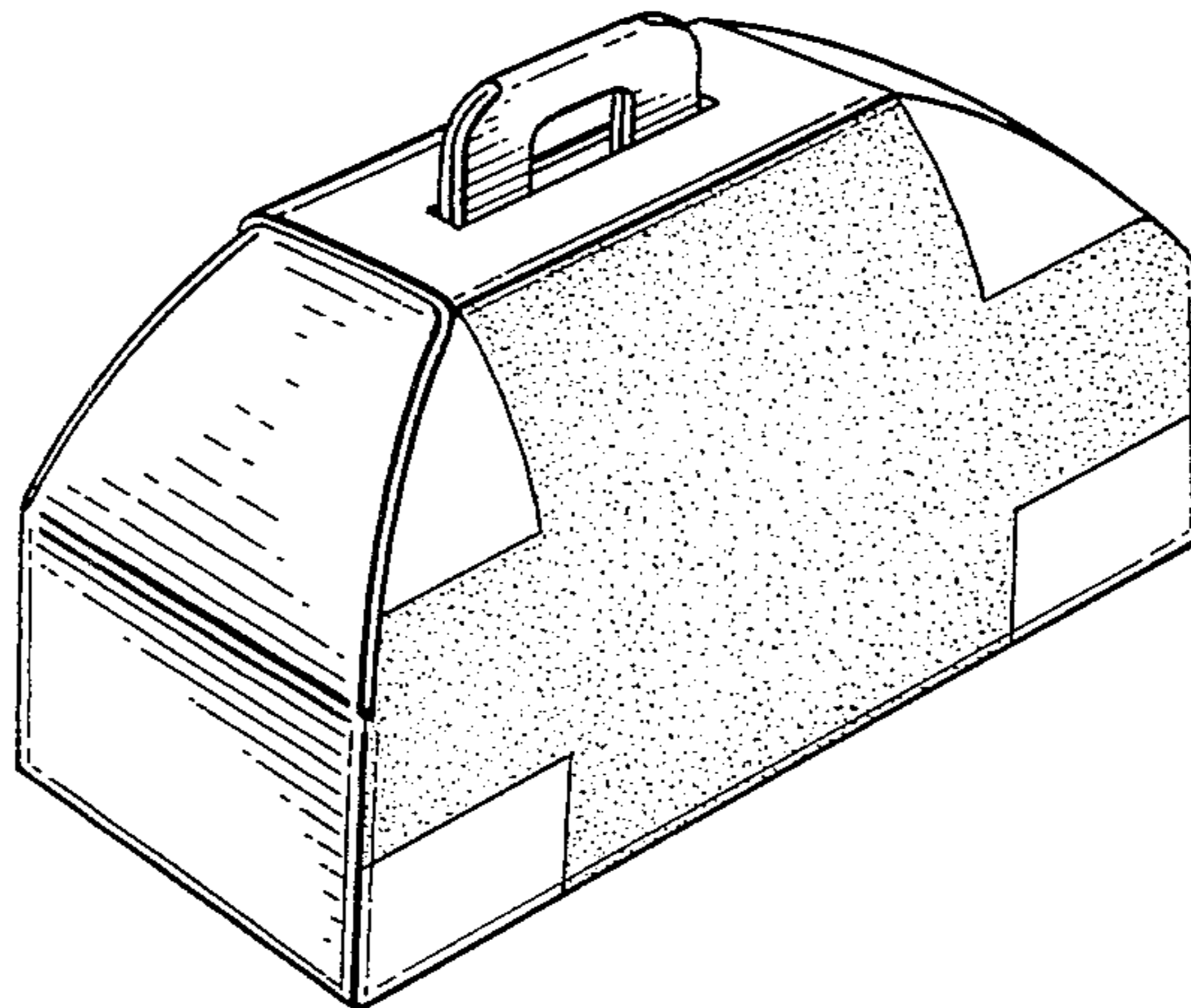


FIG. 1

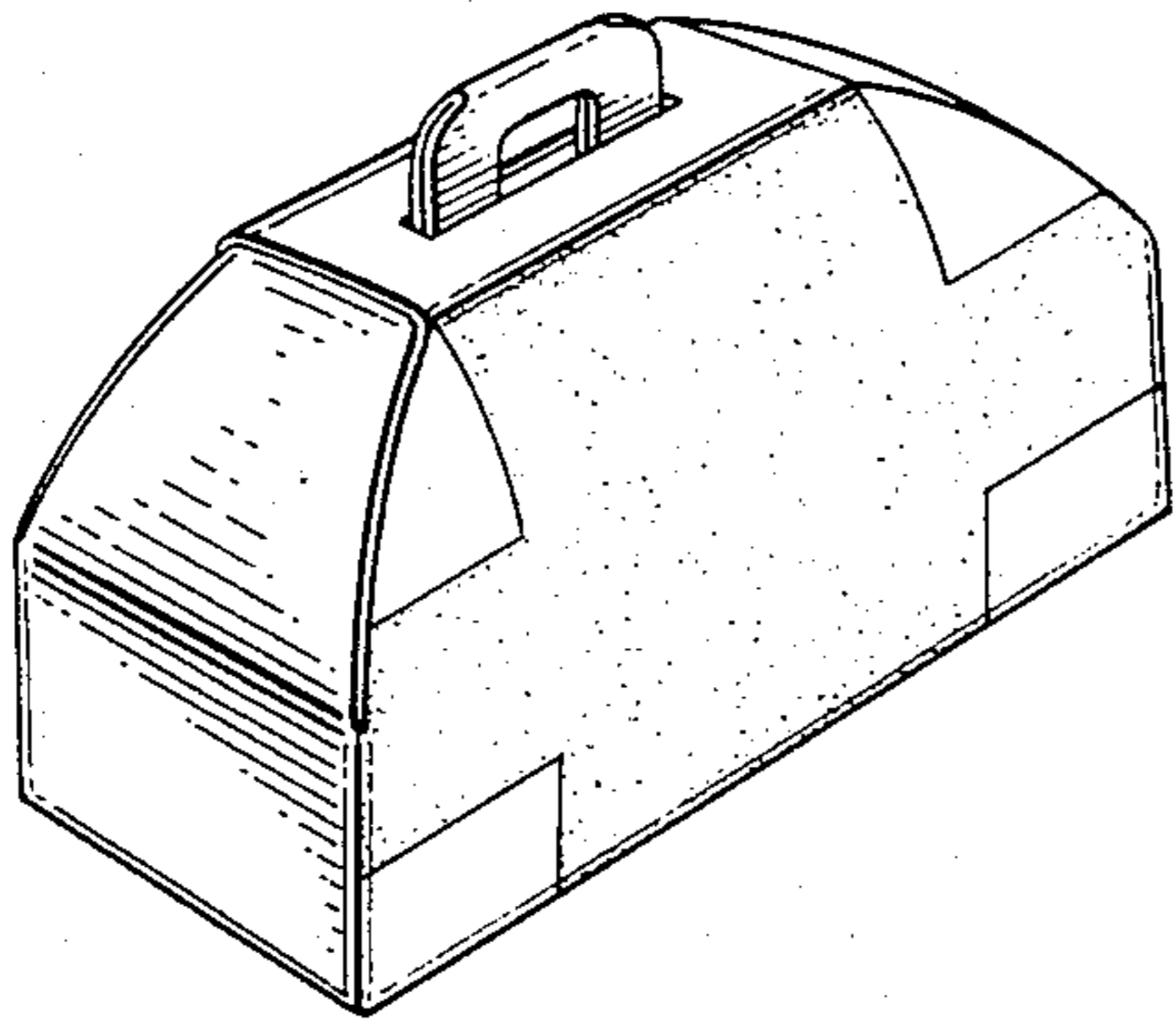


FIG. 2

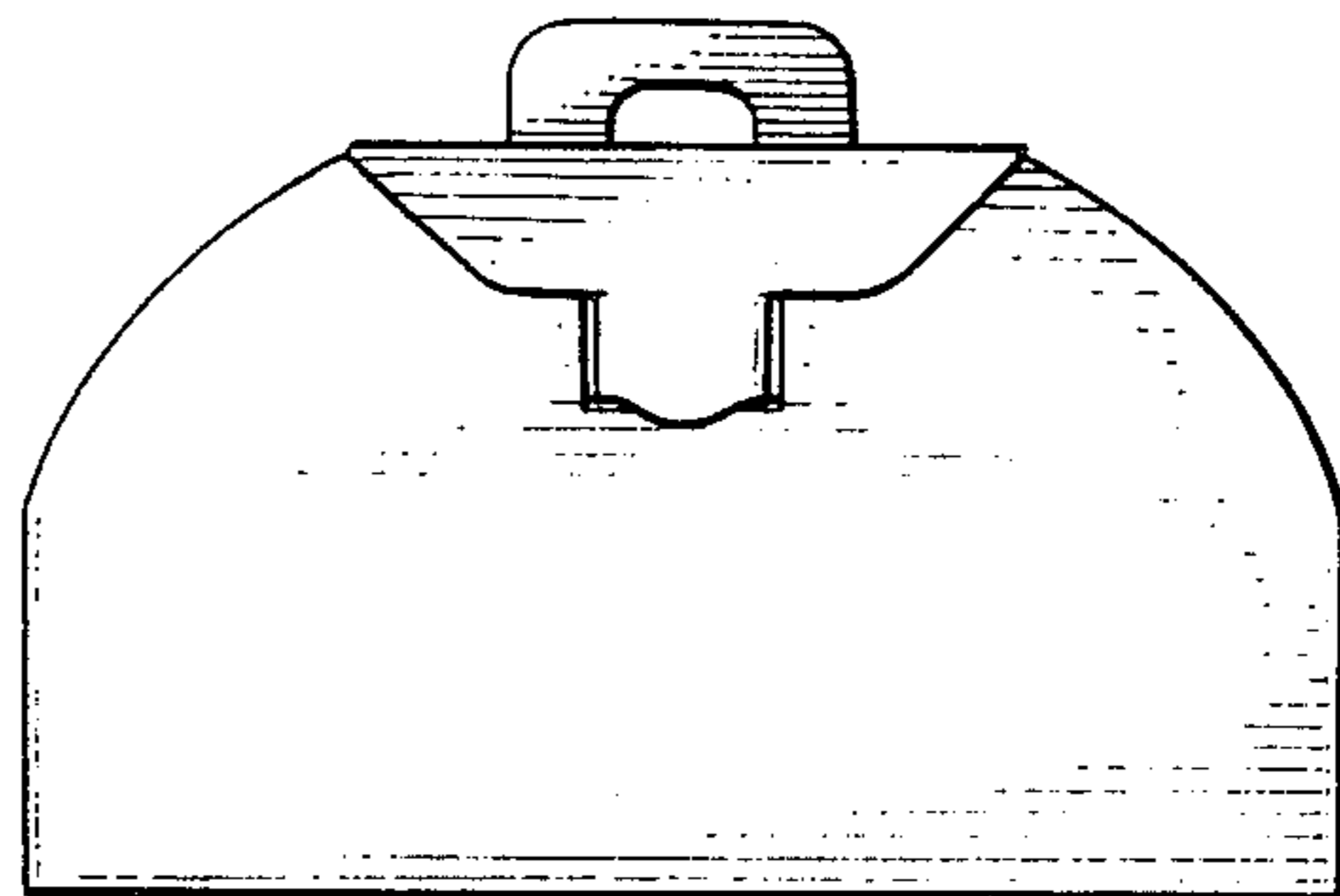


FIG. 3

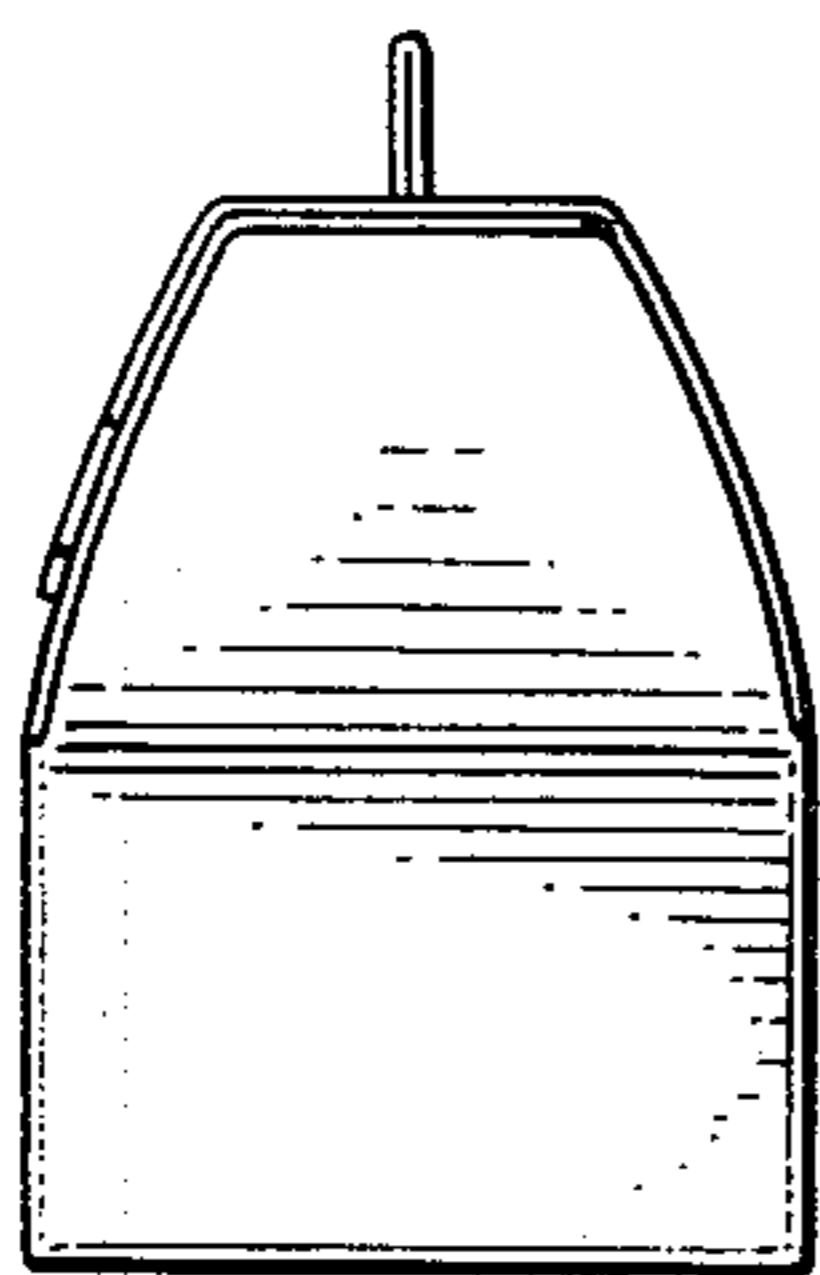


FIG. 4

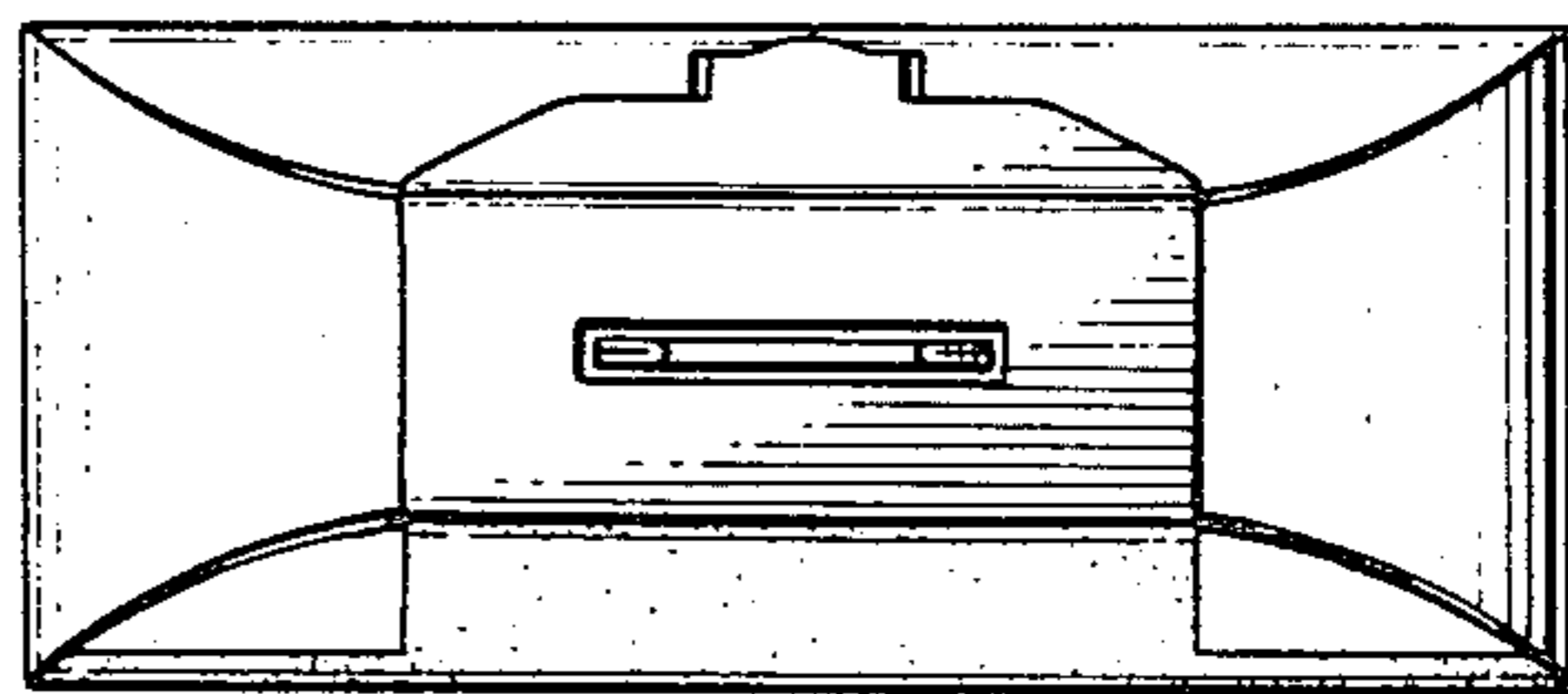


FIG. 5

