

[54] **SKI SHARPENER**

4,280,378 7/1981 Levine 76/83

[76] Inventor: **Erik Lindgren**, Pl 1101, S-790 15
Sundborn, Sweden

FOREIGN PATENT DOCUMENTS

1028794 4/1958 Fed. Rep. of Germany 51/204
882705 11/1961 United Kingdom 76/82

[**] Term: **14 Years**

Primary Examiner—Susan J. Lucas
Assistant Examiner—Clare E. Heflin
Attorney, Agent, or Firm—Bacon & Thomas

[21] Appl. No.: **369,430**

[22] Filed: **Apr. 19, 1982**

[57] **CLAIM**

The ornamental design for the ski sharpener, as shown and described.

[30] **Foreign Application Priority Data**

Oct. 21, 1981 [SE] Sweden 81-2384

[52] U.S. Cl. **D8/91**

[58] Field of Search D8/90, 91; 51/204, 205,
51/214; 83/174; 29/78; 76/82, 83, 88

DESCRIPTION

FIG. 1 is a top front perspective view of the ski sharpener embodying my new design;
FIG. 2 is a bottom plan view thereof;
FIG. 3 is a right side elevational view thereof, the left side being a mirror image;
FIG. 4 is a rear elevational view thereof.

[56] **References Cited**

U.S. PATENT DOCUMENTS

D. 87,755 9/1932 McKibben D8/92
2,445,753 7/1948 Anheuser 29/78

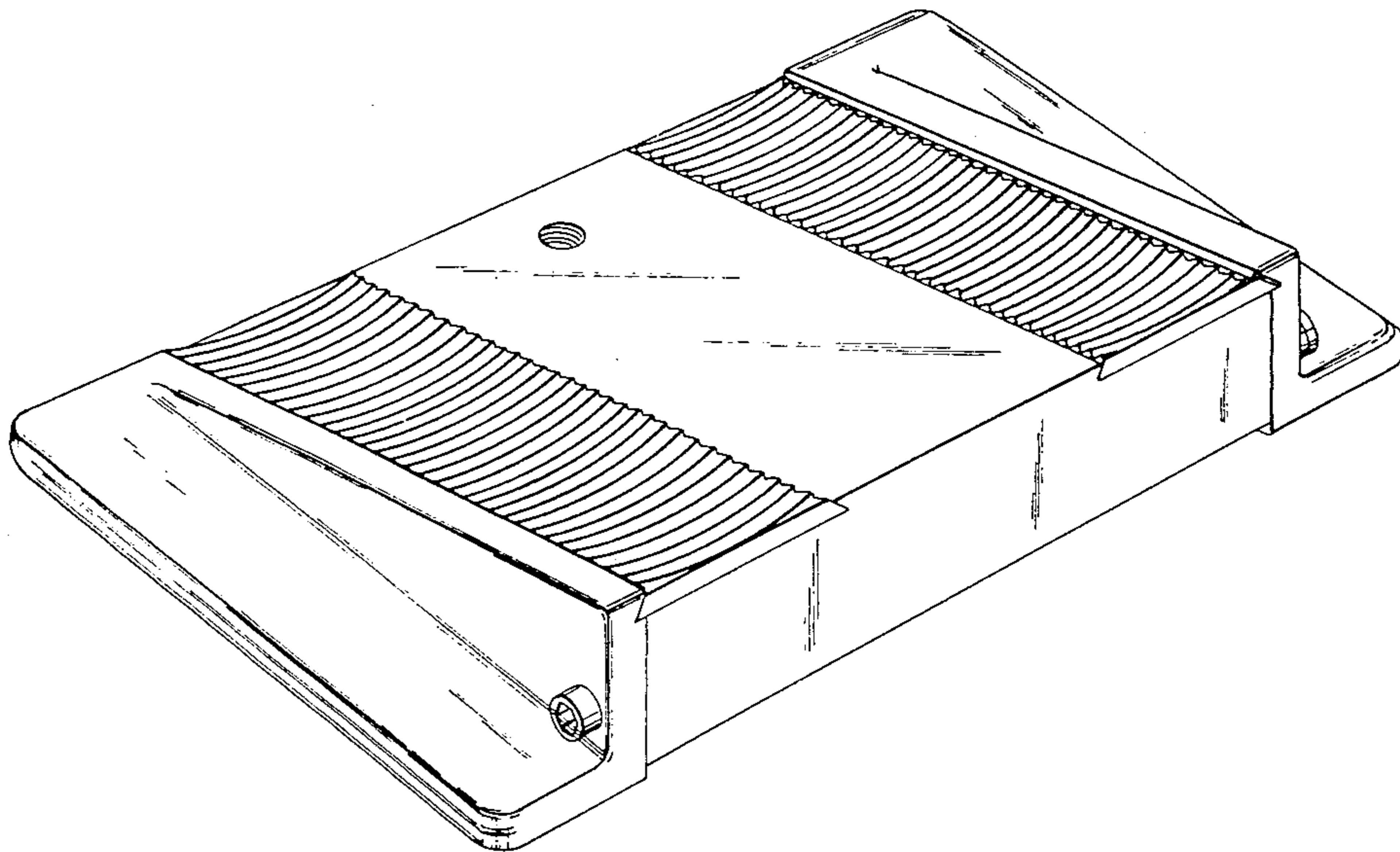


FIG 1

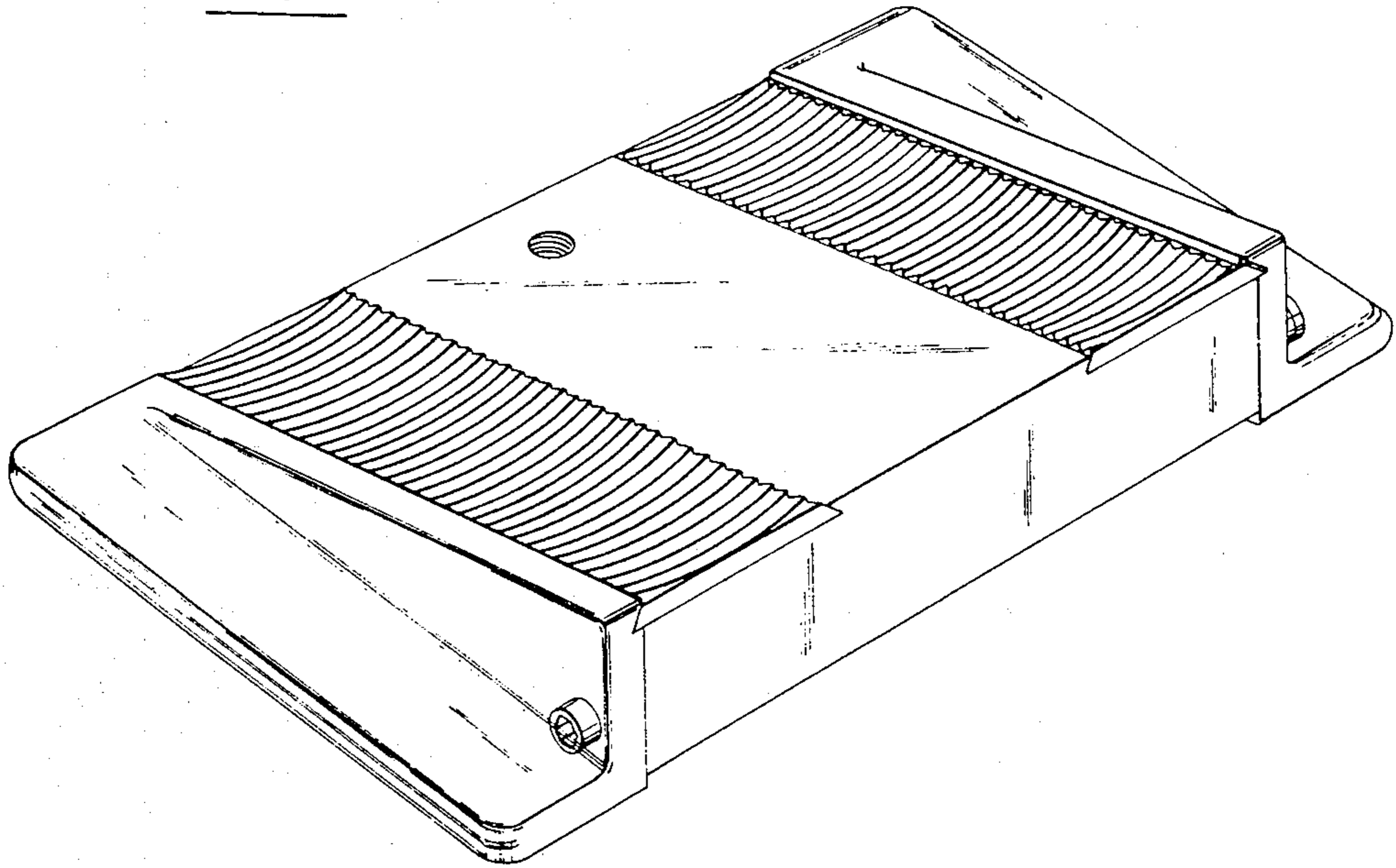


FIG 2

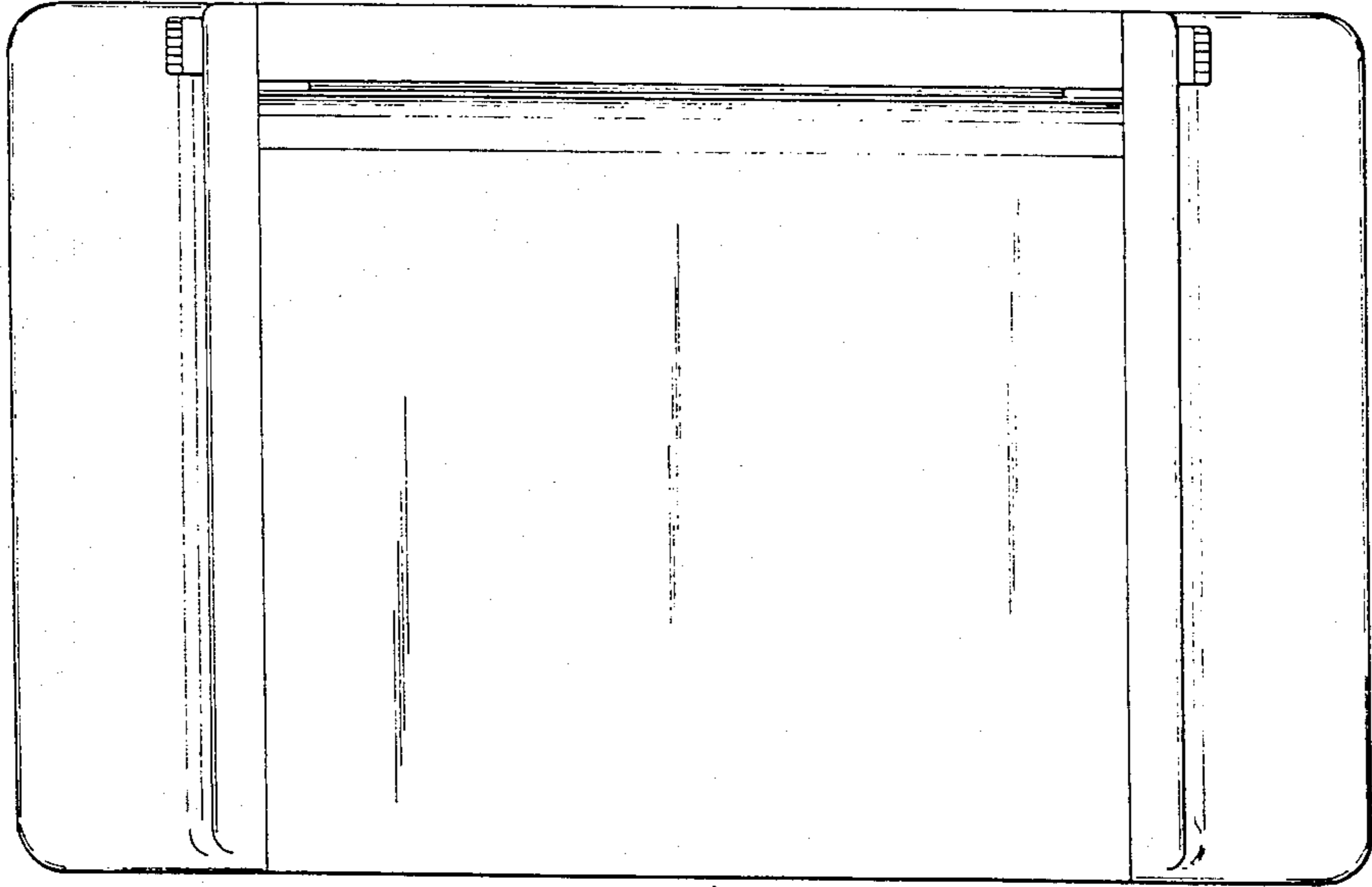


FIG 3

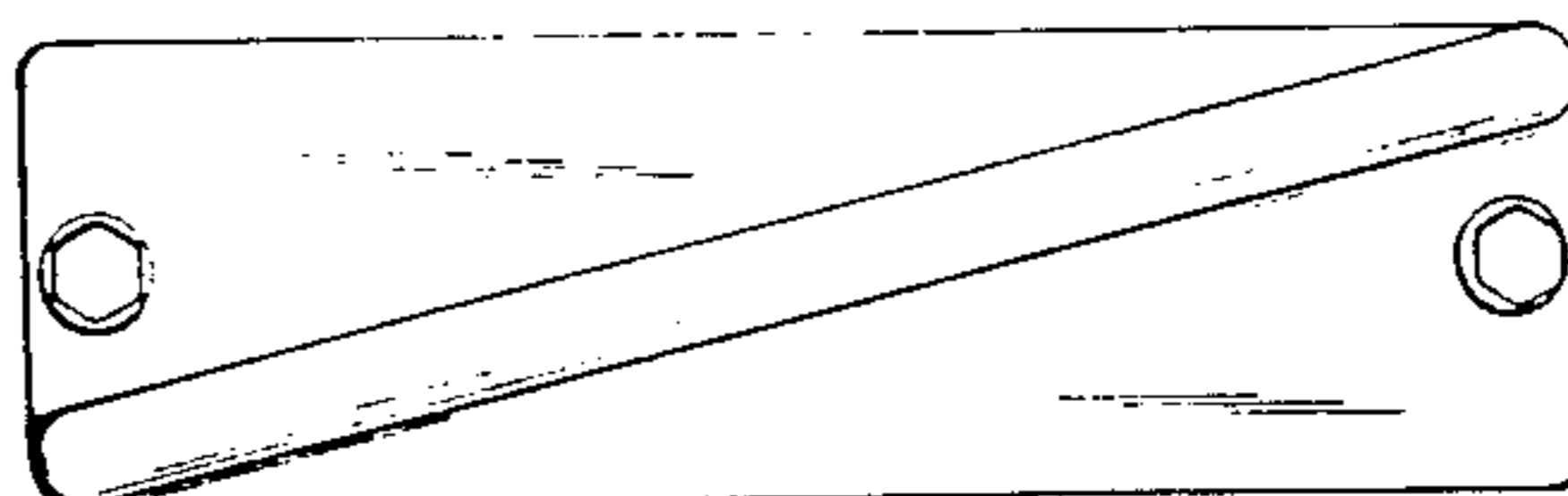


FIG 4

