

[54] BEVERAGE CARBONATING MACHINE

[75] Inventor: Johan A. F. Dahlberg, Stockholm, Sweden

[73] Assignee: Kommanditbolaget Aldolf, Västerås, Sweden

[\*\*] Term: 14 Years

[21] Appl. No.: 438,555

[22] Filed: Nov. 2, 1982

[30] Foreign Application Priority Data

May 4, 1982 [SE] Sweden ..... 82-1161

[52] U.S. Cl. .... D7/312; D7/309; D23/3

[58] Field of Search ..... D7/300, 309, 311, 312; D23/3

[56] References Cited

U.S. PATENT DOCUMENTS

- D. 174,468 4/1955 Radaelli ..... D7/309
- D. 235,015 4/1975 Stern ..... D23/3
- D. 241,178 8/1976 Frank ..... D23/3 X
- D. 248,721 8/1978 Sato et al. .... D7/309
- D. 267,032 11/1982 Lafontaine ..... D23/3

OTHER PUBLICATIONS

*Appliance*, Mar. 1981, p. 55, "Cascade Home Carbonated Drinks System, bottom right, Thorn Kenwood. *Form 96, IV 1981/82*, p. 80, Rowenta Filtermatic Coffee Maker.

*Retailing Home Furnishings*, Suppl. to HFD., Jul. 9, 1979, sec. two, p. 1, bottom right panel, Hamilton Beach Espresso 4 Cup.

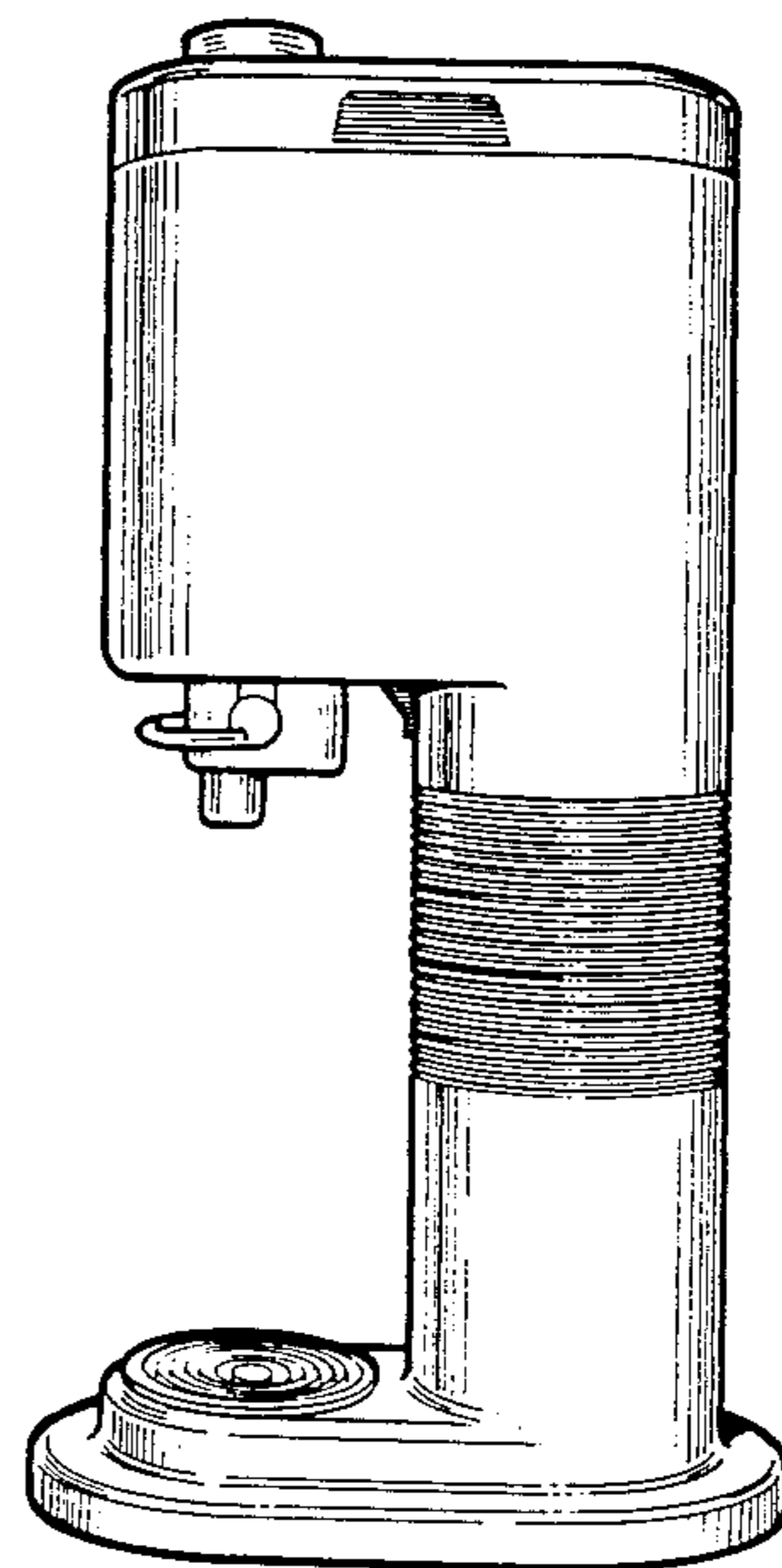
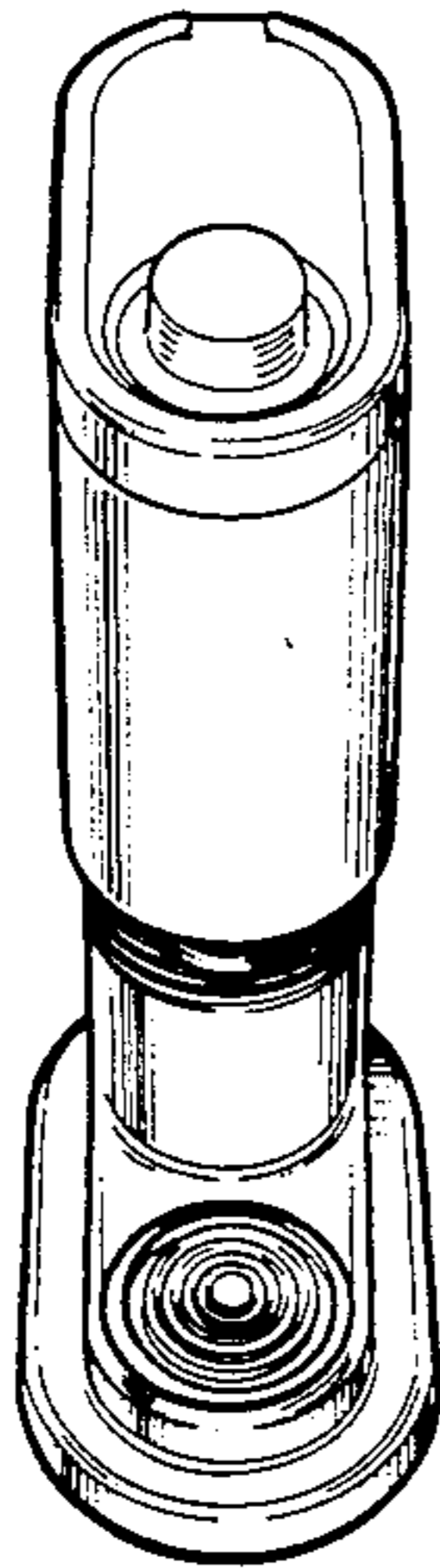
*Primary Examiner*—Winifred E. Herrmann  
*Attorney, Agent, or Firm*—Sughrue, Mion, Zinn, Macpeak and Seas

[57] CLAIM

The ornamental design for beverage carbonating machine, as shown and described.

DESCRIPTION

FIG. 1 is a front perspective view of a beverage carbonating machine showing my new design; FIG. 2 is a top front perspective view thereof; FIG. 3 is a right side perspective view thereof; FIG. 4 is a left side perspective view thereof; and FIG. 5 is a rear perspective view thereof. The bottom is plain and unornamented.



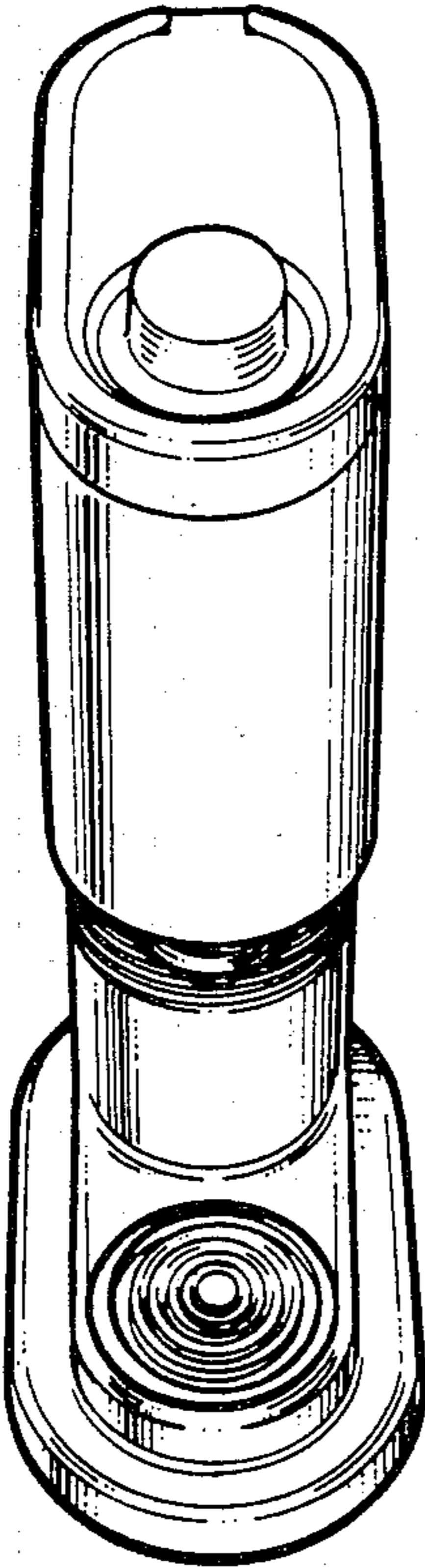


FIG. 2

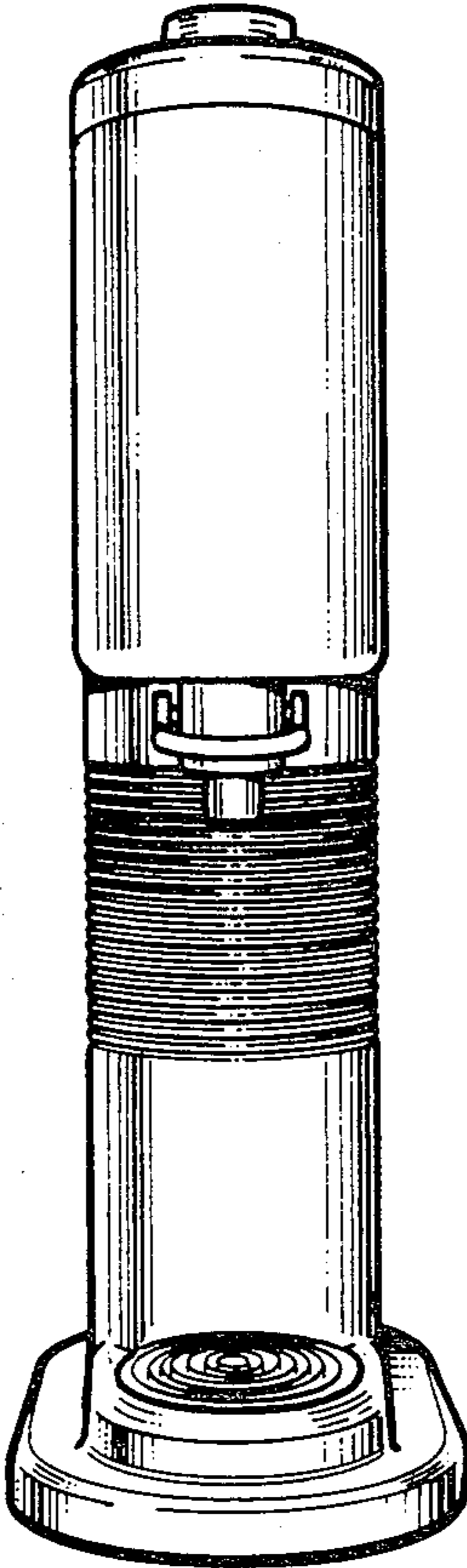
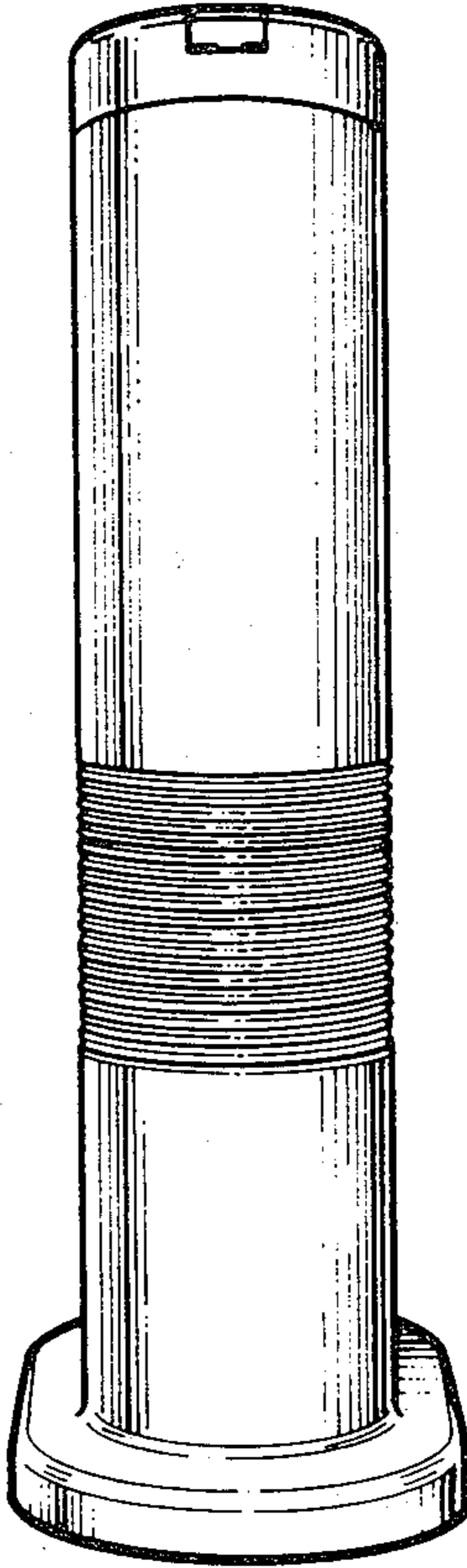


FIG. 1

FIG. 5



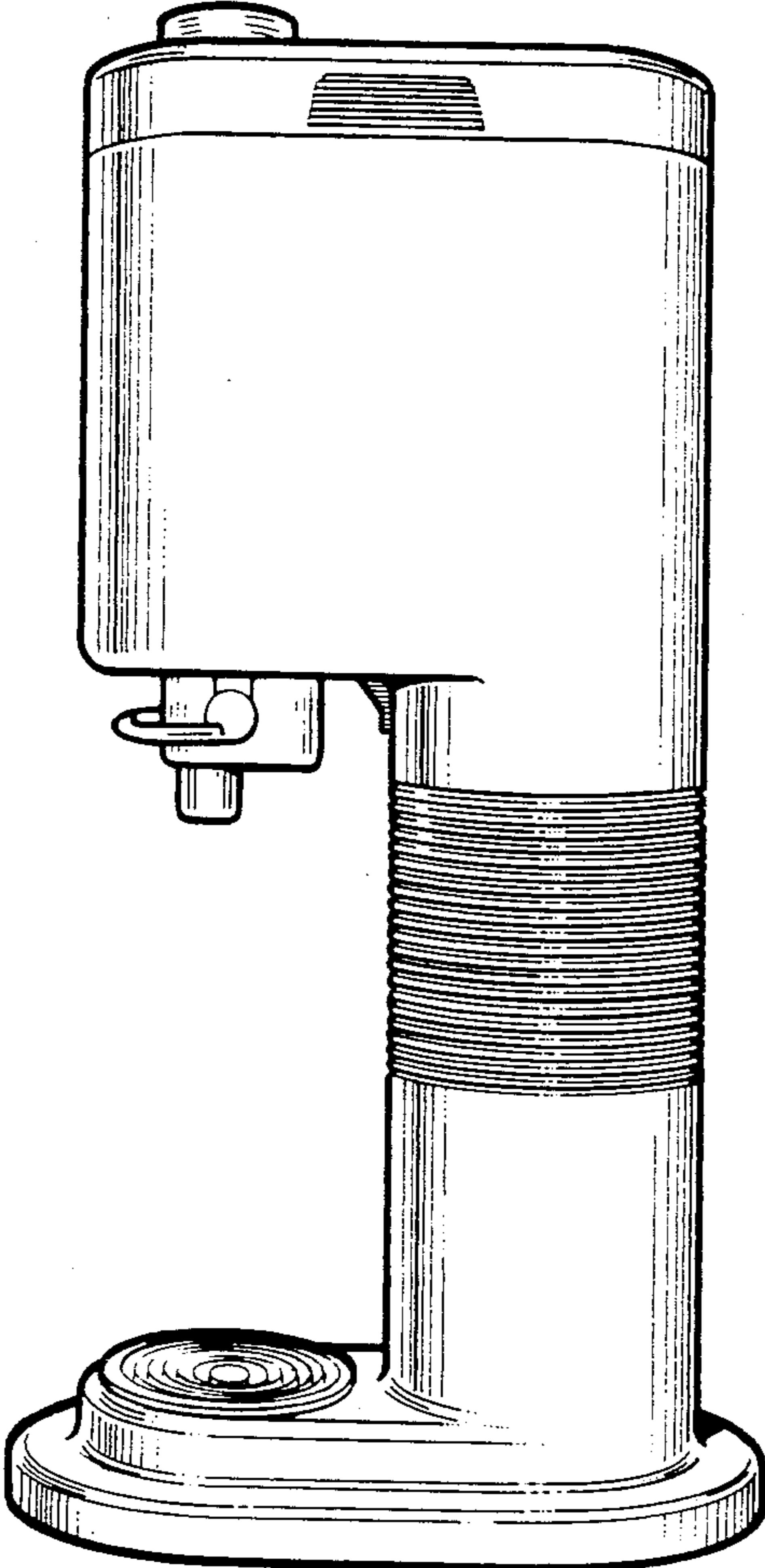


FIG. 3

FIG. 4

