

[54] COMBINED PLATE AND GLASS HOLDER

[75] Inventor: James B. Harper, Warwick, England

[73] Assignee: Harford Overseas Limited, Irish Place,

[**] Term: 14 Years

[21] Appl. No.: 449,936

[22] Filed: Dec. 15, 1982

[30] Foreign Application Priority Data

Aug. 12, 1982 [GB] United Kingdom 1008276

[52] U.S. Cl. D7/27; D7/20

[58] Field of Search D7/27, 38, 37, 1, 19, D7/20, 70, 76; 220/23.8, 20

[56] References Cited

U.S. PATENT DOCUMENTS

- D. 67,011 4/1925 Clarke D7/27
- D. 130,502 11/1941 King D7/27

- D. 170,910 11/1953 Chaplin D7/27
- D. 192,374 3/1962 Wittke D7/27
- D. 194,054 11/1962 Grossman D7/27
- D. 221,883 9/1971 Cash D7/27
- 231,034 8/1880 Goessling 220/23.8 X
- 2,295,860 9/1942 Oliver D7/37 X

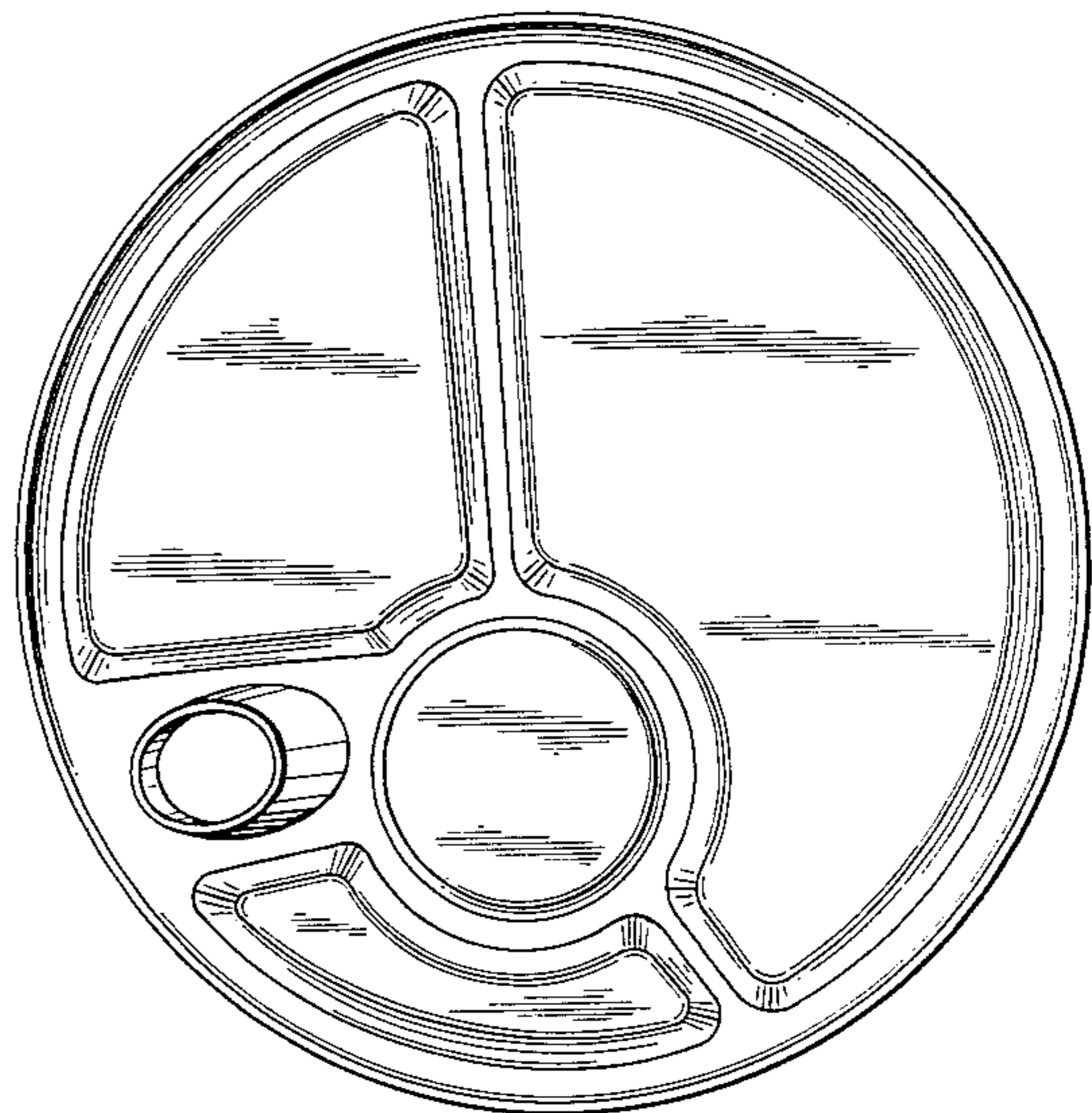
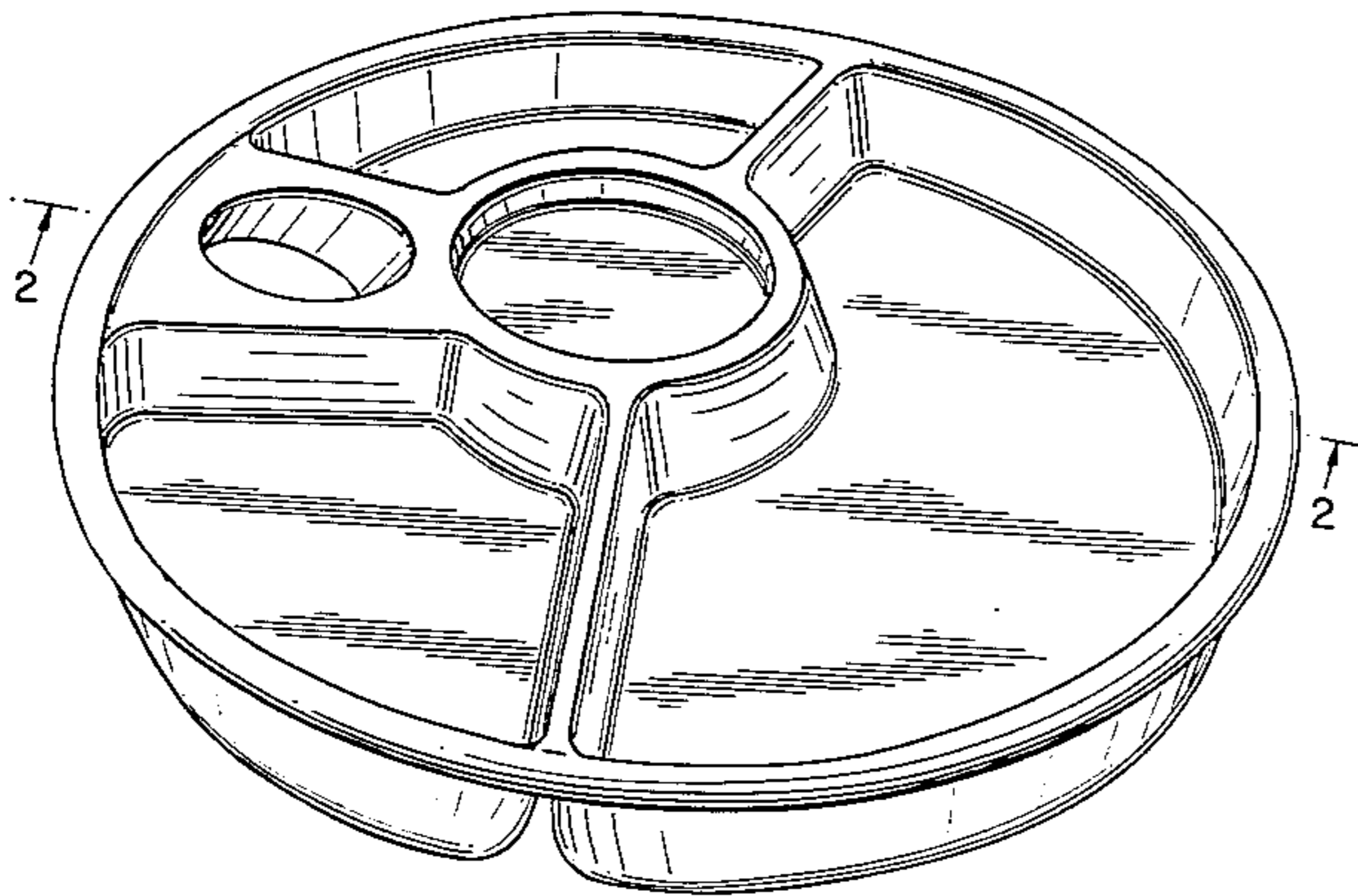
Primary Examiner—Winifred E. Herrmann
Attorney, Agent, or Firm—Sughrue, Mion, Zinn,
Macpeak and Seas

[57] CLAIM

The ornamental design for a combined plate and glass holder, as shown.

DESCRIPTION

FIG. 1 is a top perspective view of a combined plate and glass holder showing my new design; FIG. 2 is a cross-sectional view thereof taken on line 2—2 of FIG. 1; FIG. 3 is a bottom plan view thereof; and FIG. 4 is a side elevational view thereof taken from the left of FIG. 1.



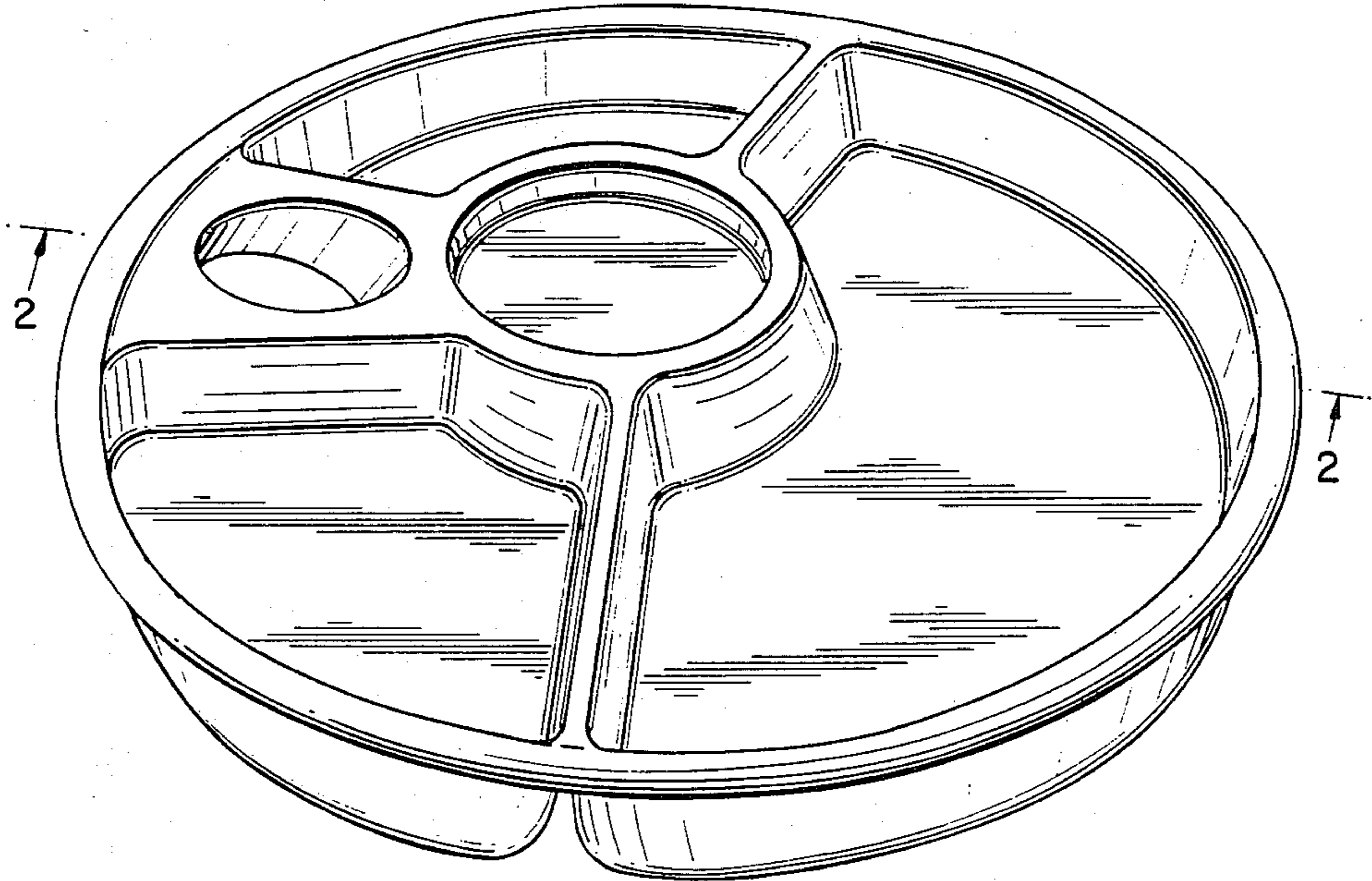


Fig. 1

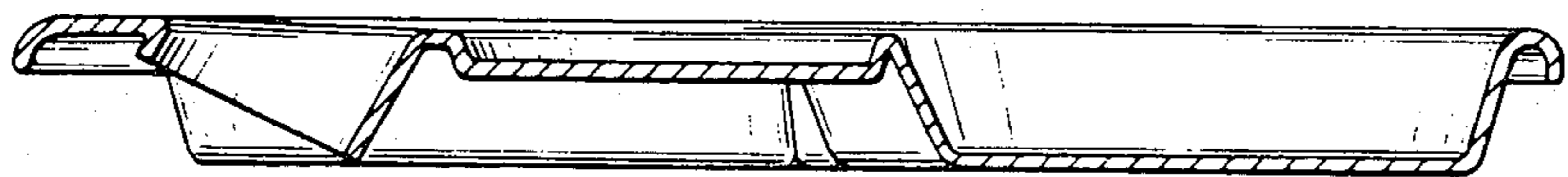


Fig. 2

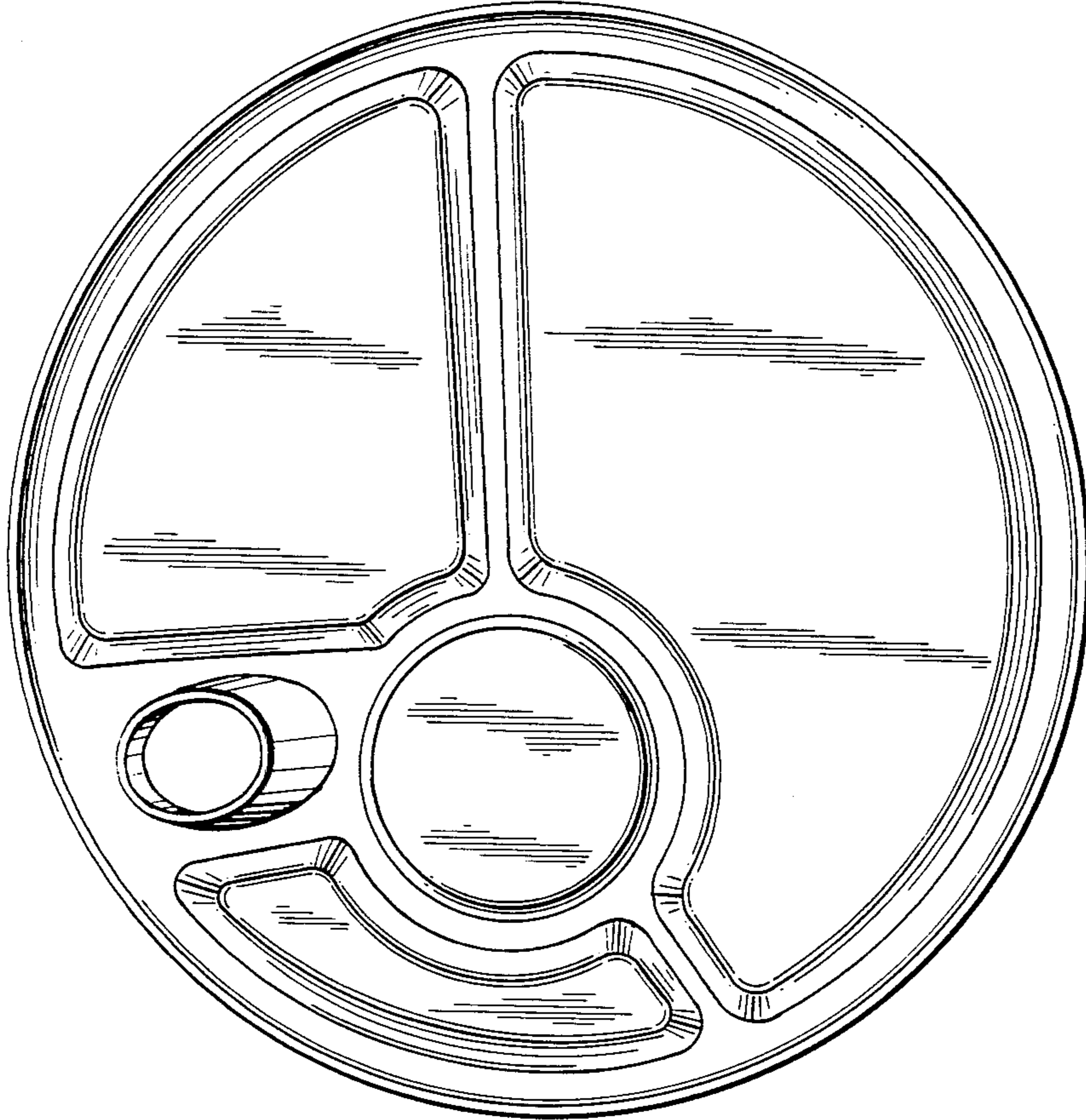


Fig. 3

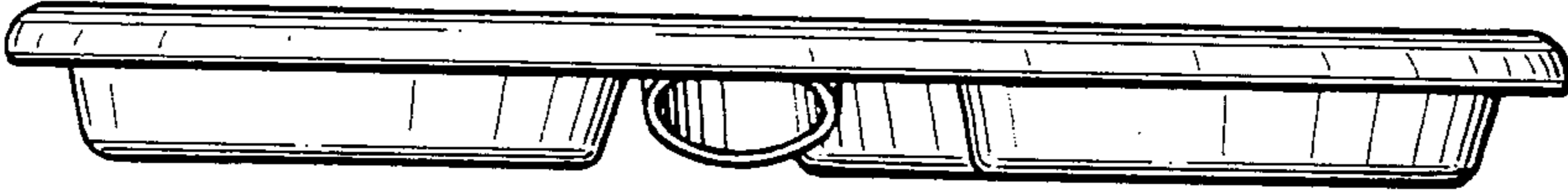


Fig. 4