

[54] STORAGE RACK FOR COMPUTER EQUIPMENT

[76] Inventor: Thomas Koves, 431 Burnside Ave., Apt. 2C, Los Angeles, Calif. 90036

[**] Term: 14 Years

[21] Appl. No.: 423,040

[22] Filed: Sep. 20, 1982

[52] U.S. Cl. D6/465

[58] Field of Search D6/181, 186, 85, 396, D6/406, 449, 462, 463, 464, 465; D7/403, 408; 211/13, 126, 181; 108/59, 91, 92, 93, 111

[56] References Cited

U.S. PATENT DOCUMENTS

D. 214,603	7/1969	Cohen	D6/465
1,612,937	1/1927	Mitchell	108/59
1,946,711	2/1934	Quisenberry	108/59
3,858,835	1/1975	Baren	211/181 X
4,191,160	3/1980	Elliott	211/181 X

FOREIGN PATENT DOCUMENTS

1409940 7/1965 France 211/126

OTHER PUBLICATIONS

Fidelity Products Co. ©1981, p. 40; Printer Stand, bottom left of page.

Office Product Dealer, Dec. 1981, p. 64; Paper Caddy for Printers, top left on page.

Primary Examiner—Carmen H. Vales

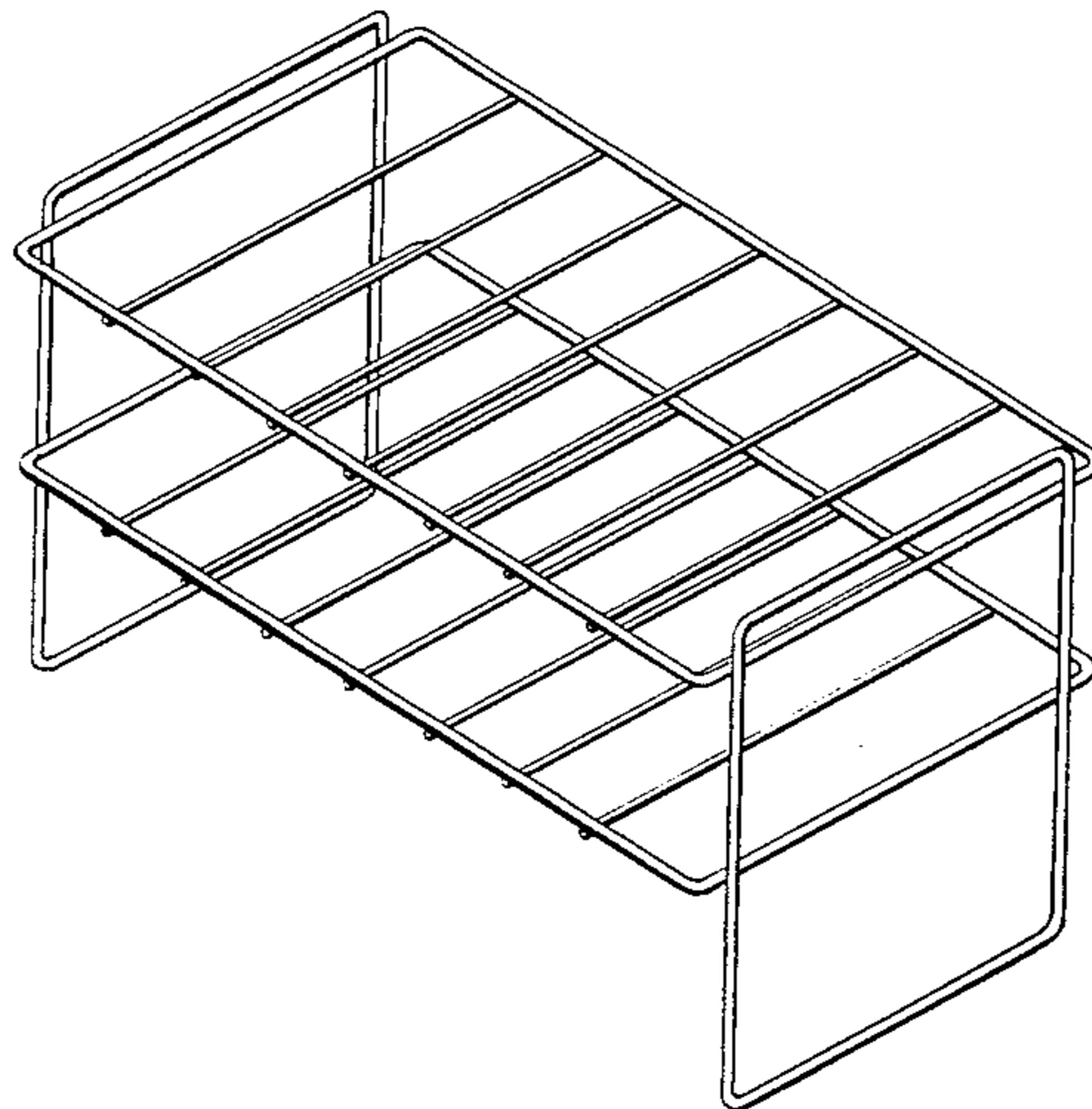
Attorney, Agent, or Firm—Allan M. Shapiro

[57] CLAIM

The ornamental design for a storage rack for computer equipment, substantially as shown.

DESCRIPTION

FIG. 1 is a perspective view of a storage rack for computer equipment, showing my new design; FIG. 2 is a front elevational view thereof; FIG. 3 is a top plan view thereof; and FIG. 4 is a side elevational view thereof.



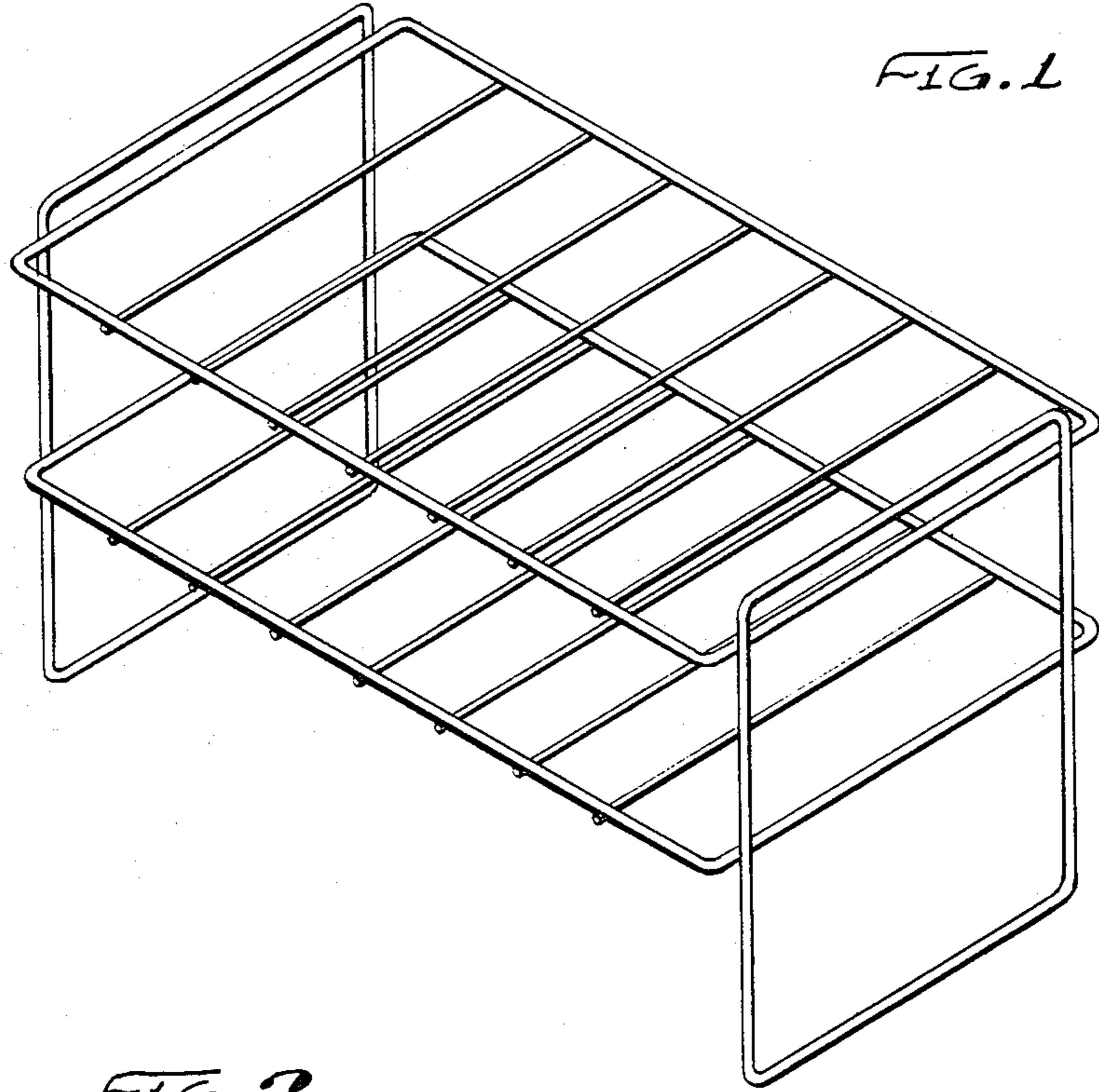


FIG. 2

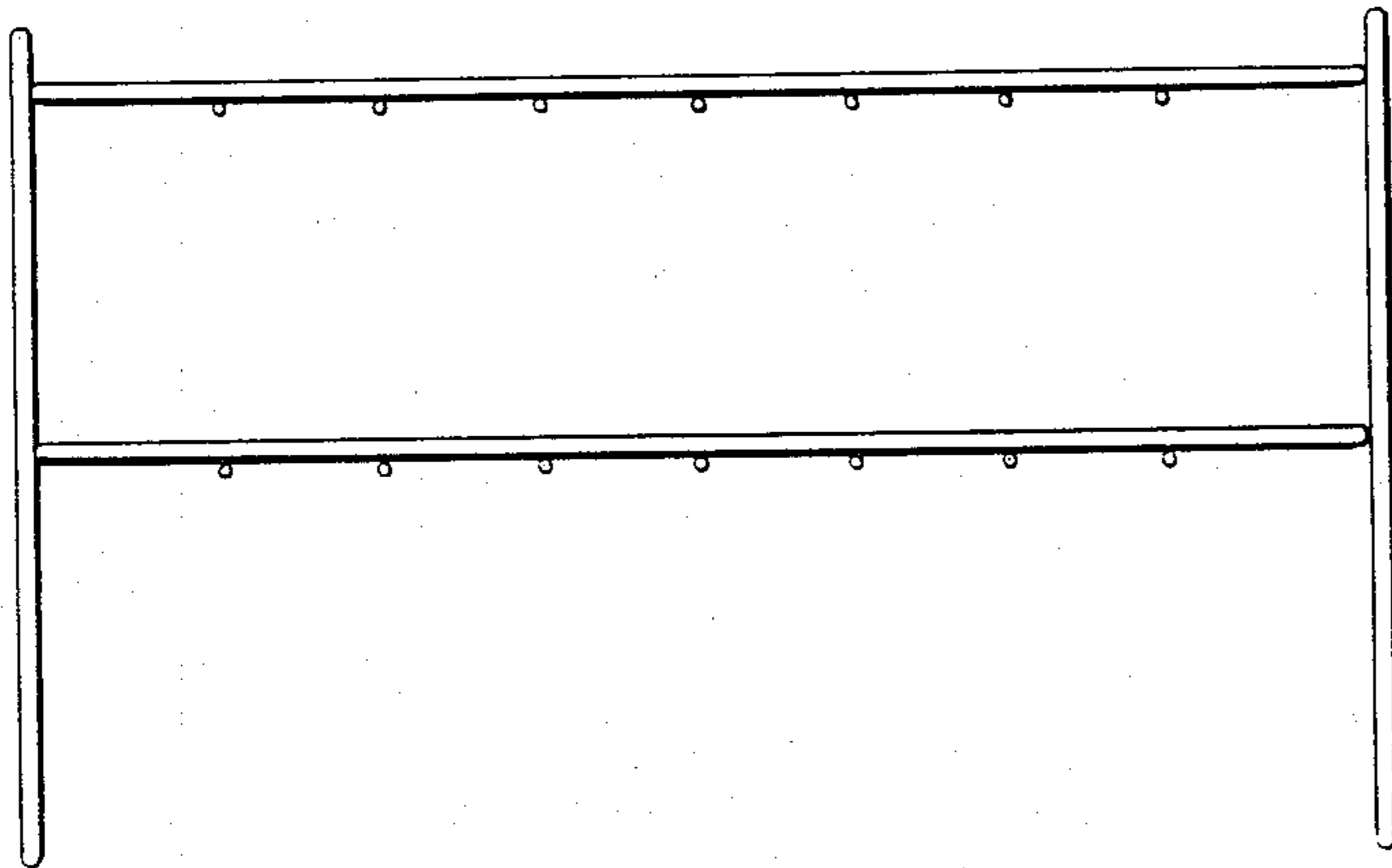


FIG. 3

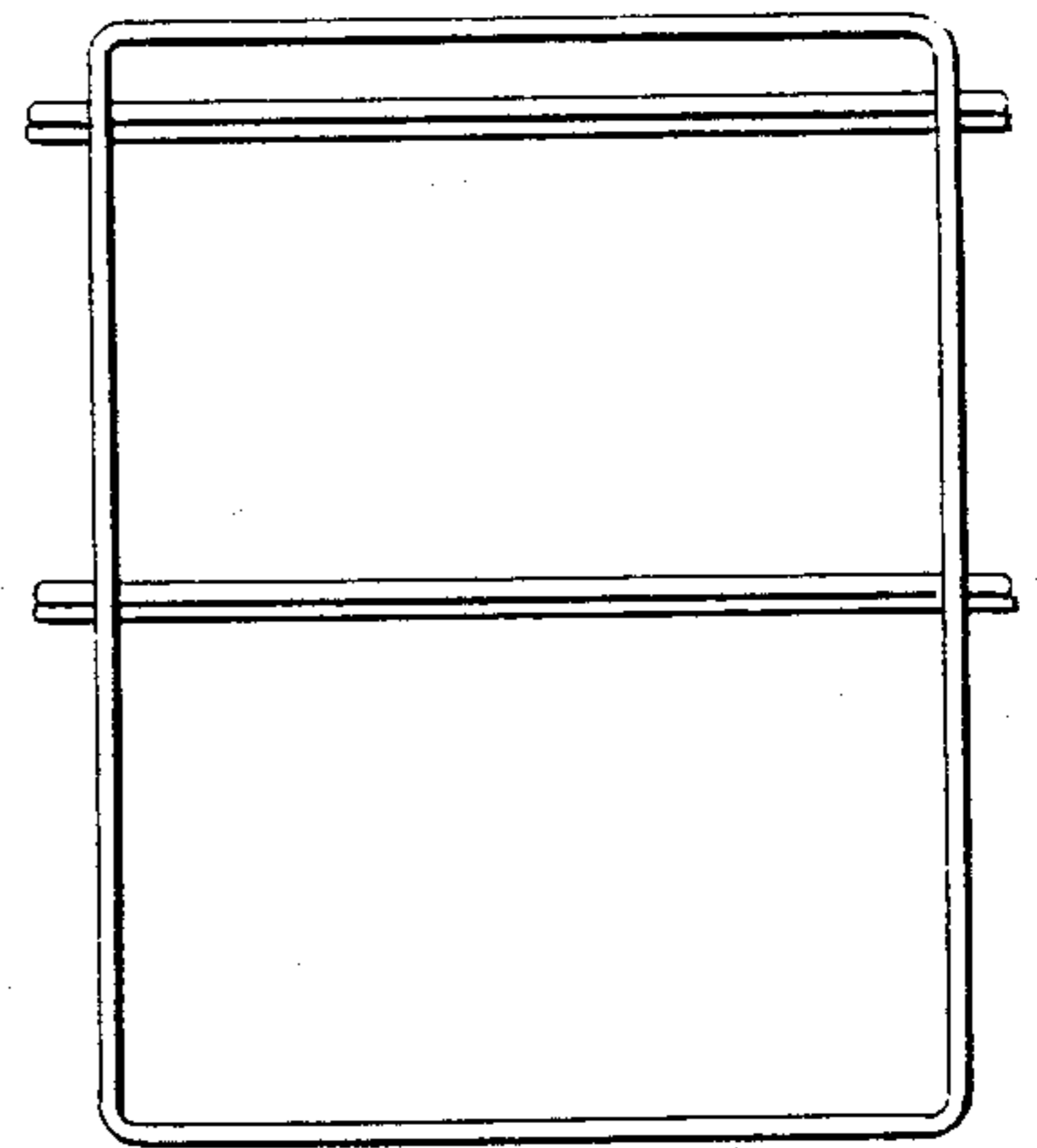
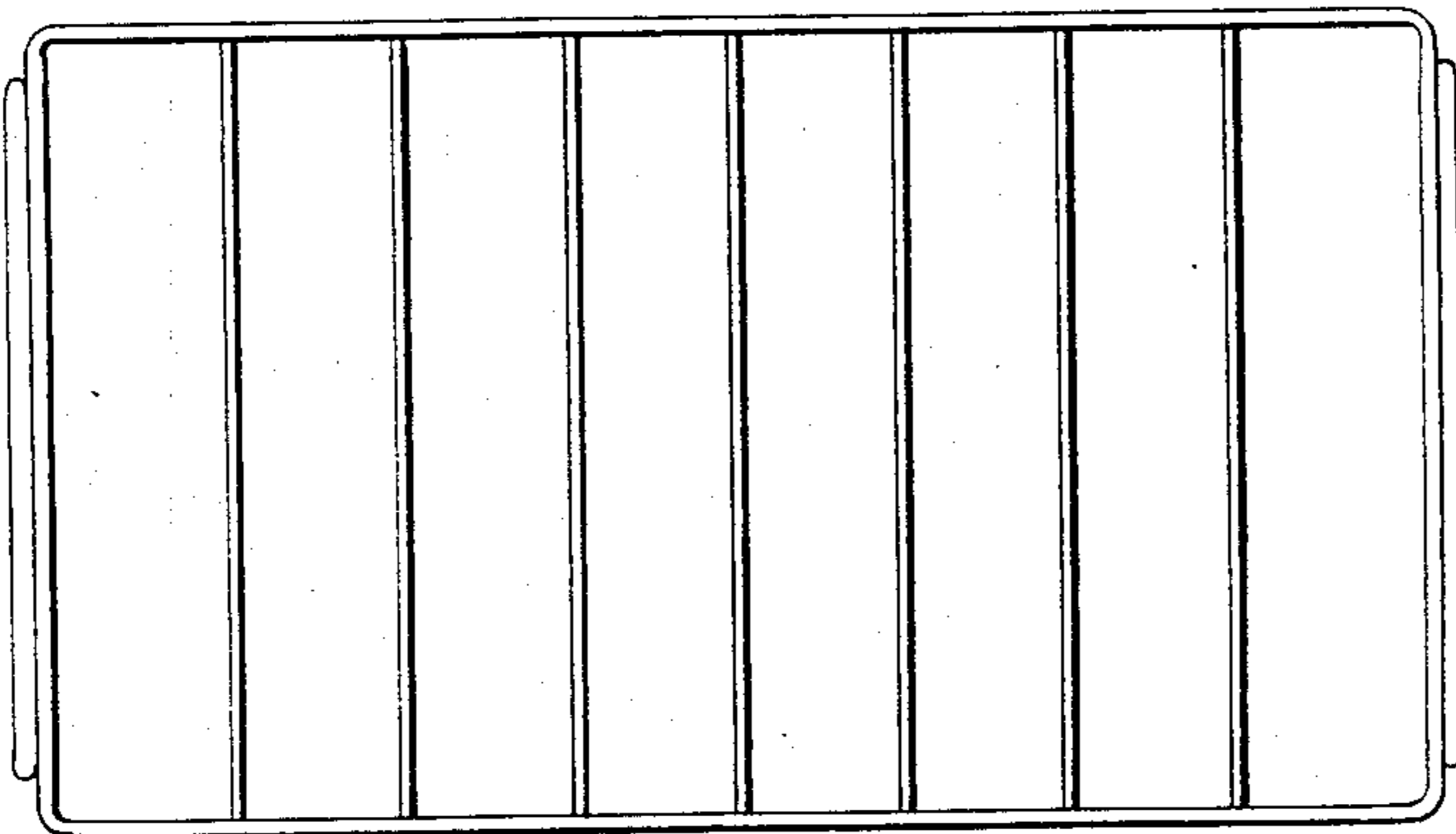


FIG. 4