

[54] FURNITURE DRAWER WALL OR SIMILAR ARTICLE

[75] Inventor: Terence Hardy, Nether Heage, England

[73] Assignee: L. B. (Plastics) Limited, England

[**] Term: 14 Years

[21] Appl. No.: 381,284

[22] Filed: May 24, 1982

[30] Foreign Application Priority Data

Nov. 26, 1981 [GB] United Kingdom 1003816

[52] U.S. Cl. D6/510

[58] Field of Search D6/177, 178, 191, 179, D6/169; 403/170, 173, 295; 312/257 A, 257 SM, 330 R, 330 SM

[56] References Cited

U.S. PATENT DOCUMENTS

- 4,042,288 8/1977 Litchfield 312/330 R
- 4,099,815 7/1978 Cox et al. 312/330 R
- 4,230,382 10/1980 Wenzlick et al. 312/330 R
- 4,298,234 11/1981 Litchfield et al. 312/330 R X

Primary Examiner—Bruce W. Dunkins

Attorney, Agent, or Firm—W. Thad Adams, III

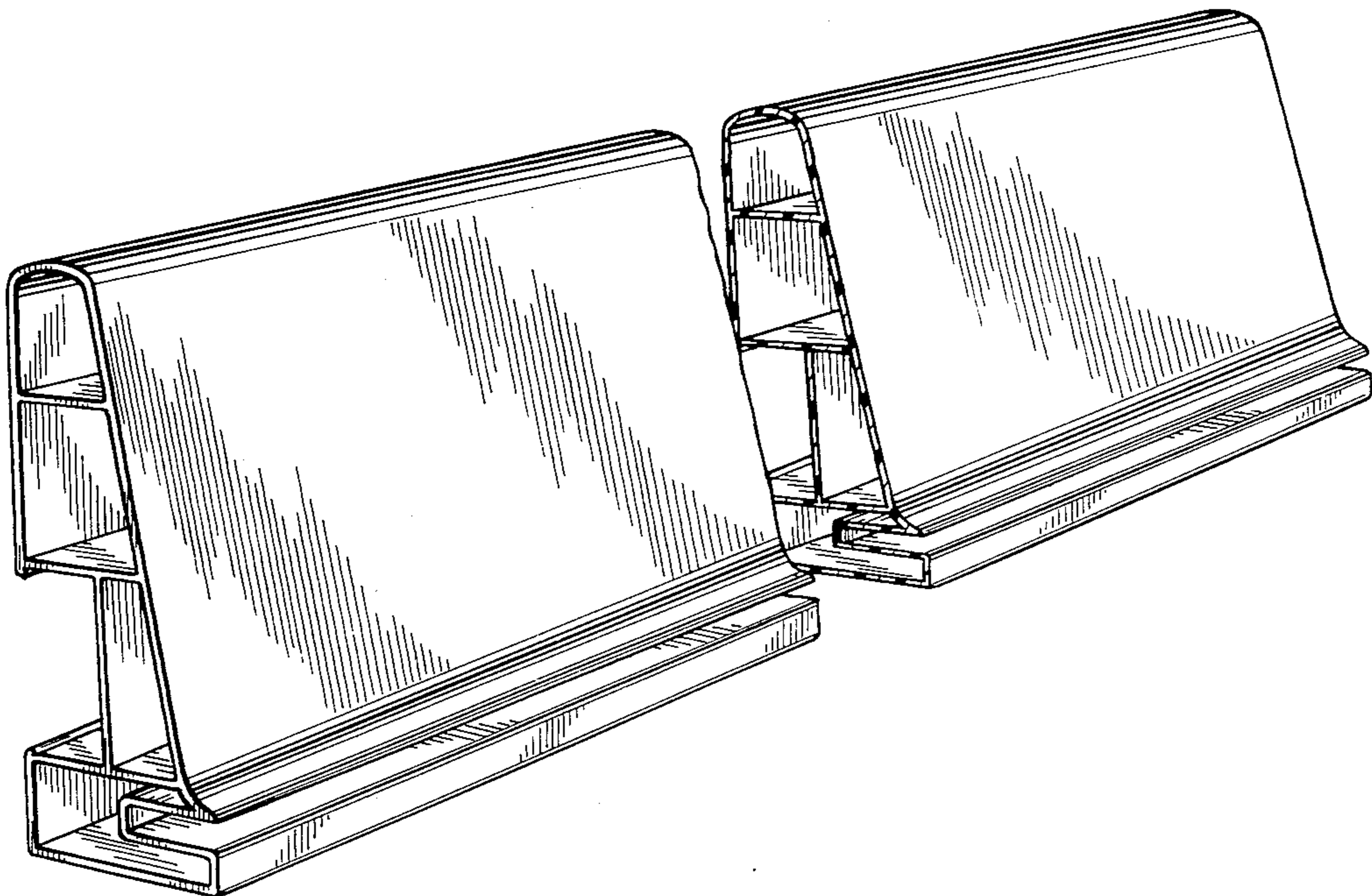
[57] CLAIM

The ornamental design of a furniture drawer wall or similar article, as shown and described.

DESCRIPTION

FIG. 1 is a perspective view of a furniture drawer wall or similar article showing my design wherein the center portion is broken away to indicate indeterminate length. FIG. 2 is an end elevation thereof.

The undisclosed side of the furniture drawer wall is conventionally flat and unornamented.



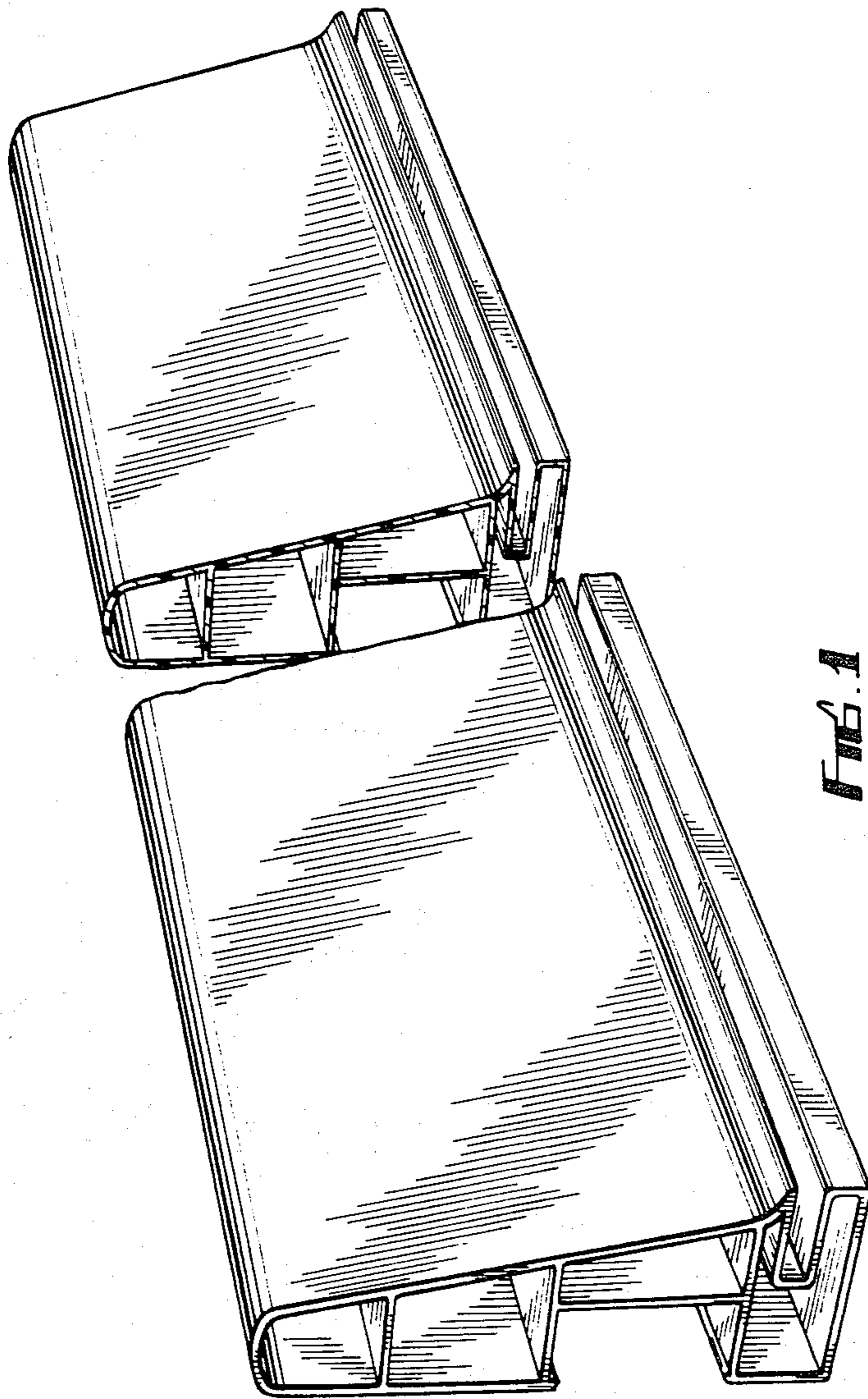


FIG. 1

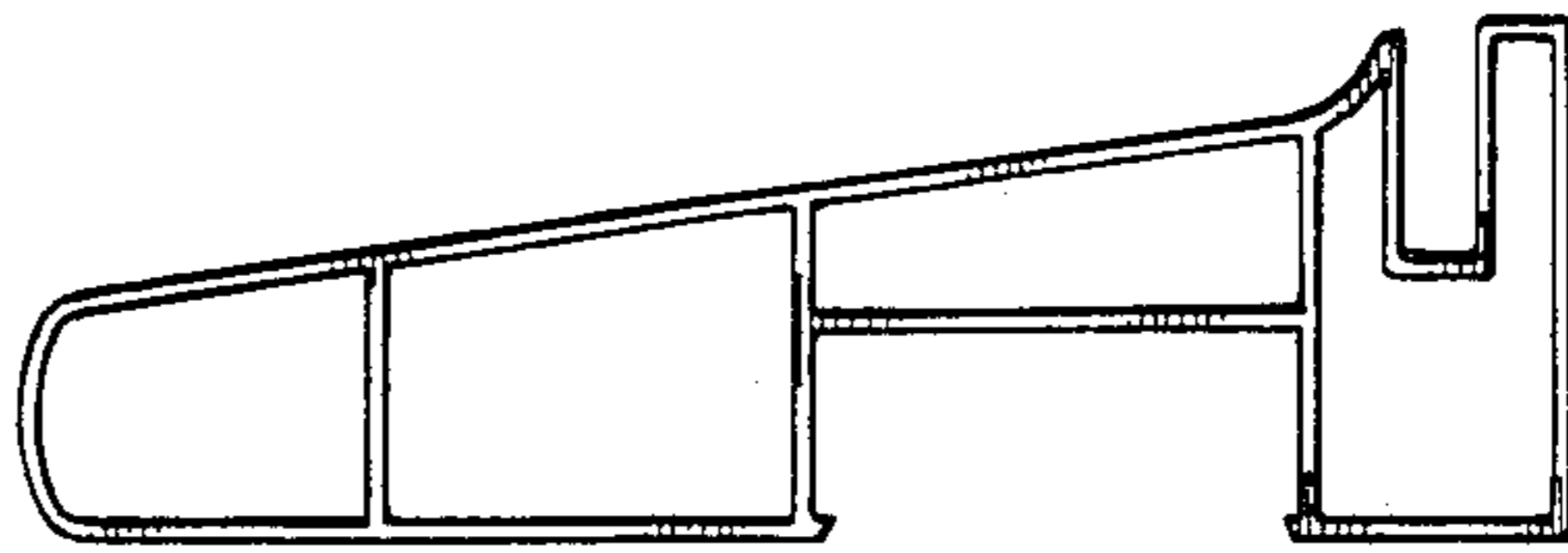


FIG. 2