

[54] **DISPLAY CASE**

[76] **Inventor: Stanley S. Boxall, Rte. 1, Box K4,
Flowery Branch, Ga. 30542**

[**] **Term: 14 Years**

[21] **Appl. No.: 406,391**

[22] **Filed: Aug. 9, 1982**

[52] **U.S. Cl. D6/471**

[58] **Field of Search D6/85, 167, 168, 172,
D6/173, 175, 187; 312/114, 116, 117; 272/8 R**

[56] **References Cited**

U.S. PATENT DOCUMENTS

D. 126,981	5/1941	James	D6/173
D. 161,956	2/1951	Newburger	D6/173
D. 229,528	12/1973	Rothbardt	D6/168
1,647,785	11/1927	Coughlin	312/116 X
1,744,070	1/1930	Deacon	312/116 X

2,770,999 11/1956 Older 272/8 R

FOREIGN PATENT DOCUMENTS

18727 of 1907 United Kingdom 312/117

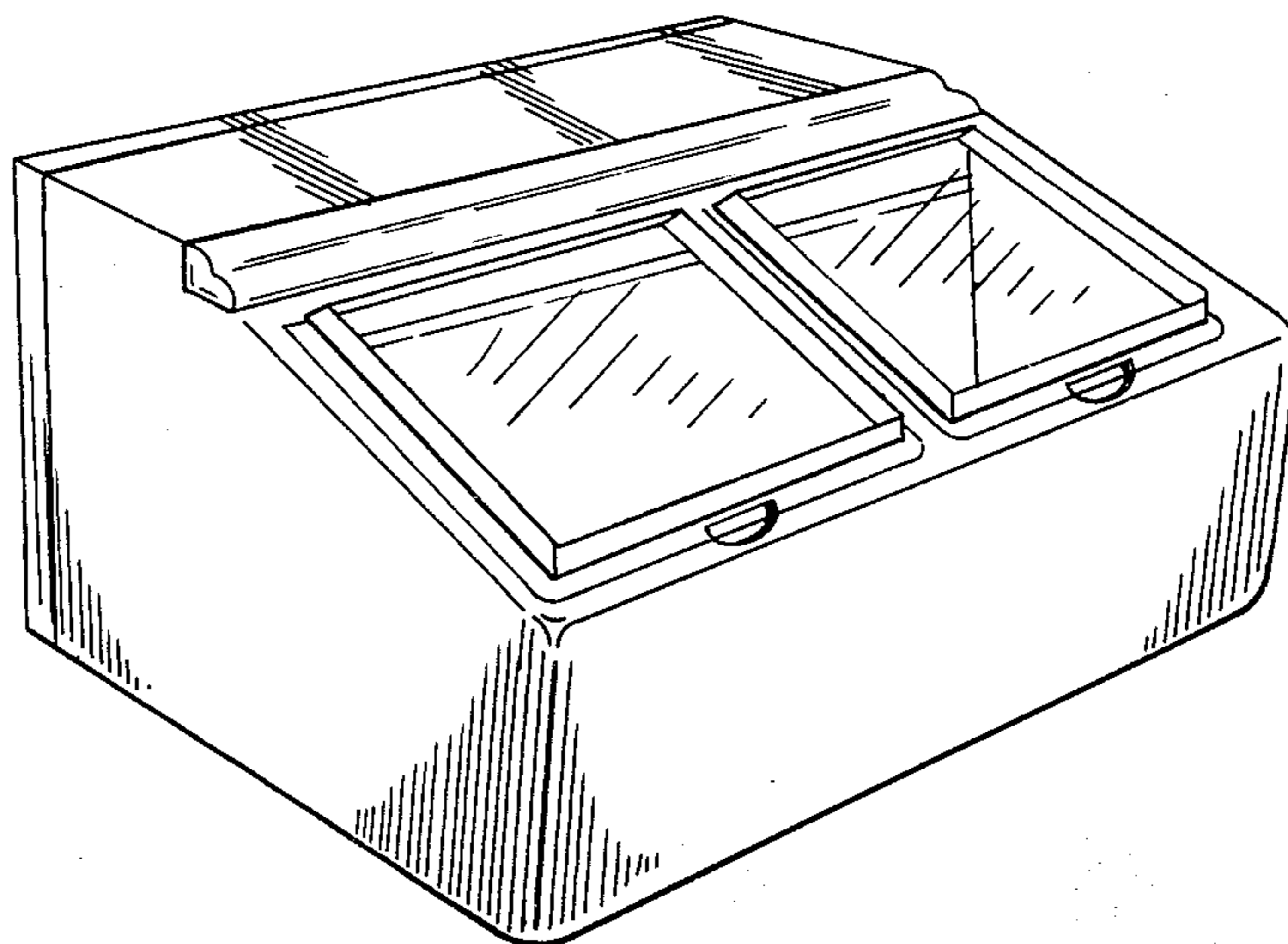
Primary Examiner—Carmen H. Vales
Attorney, Agent, or Firm—Jones & Askew

[57] **CLAIM**

The ornamental design for a display case, substantially as shown and described.

DESCRIPTION

FIG. 1 is a perspective view of a display case showing my new design;
FIG. 2 is a top plan view thereof;
FIG. 3 is a front elevational view thereof;
FIG. 4 is a left side elevational view thereof;
FIG. 5 is a right side elevational view thereof;
FIG. 6 is a bottom plan view thereof; and
FIG. 7 is a rear elevational view thereof.



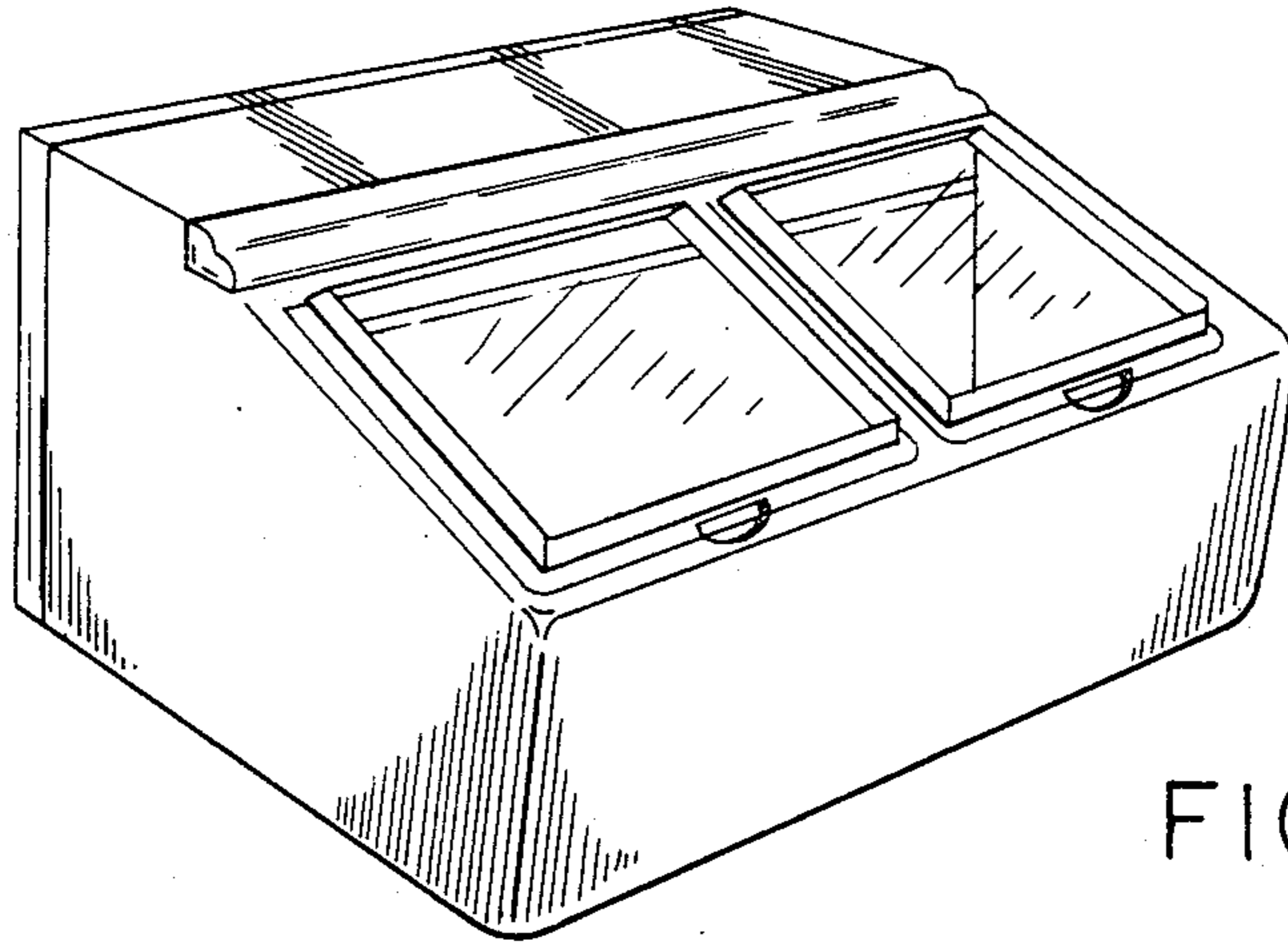


FIG. 1

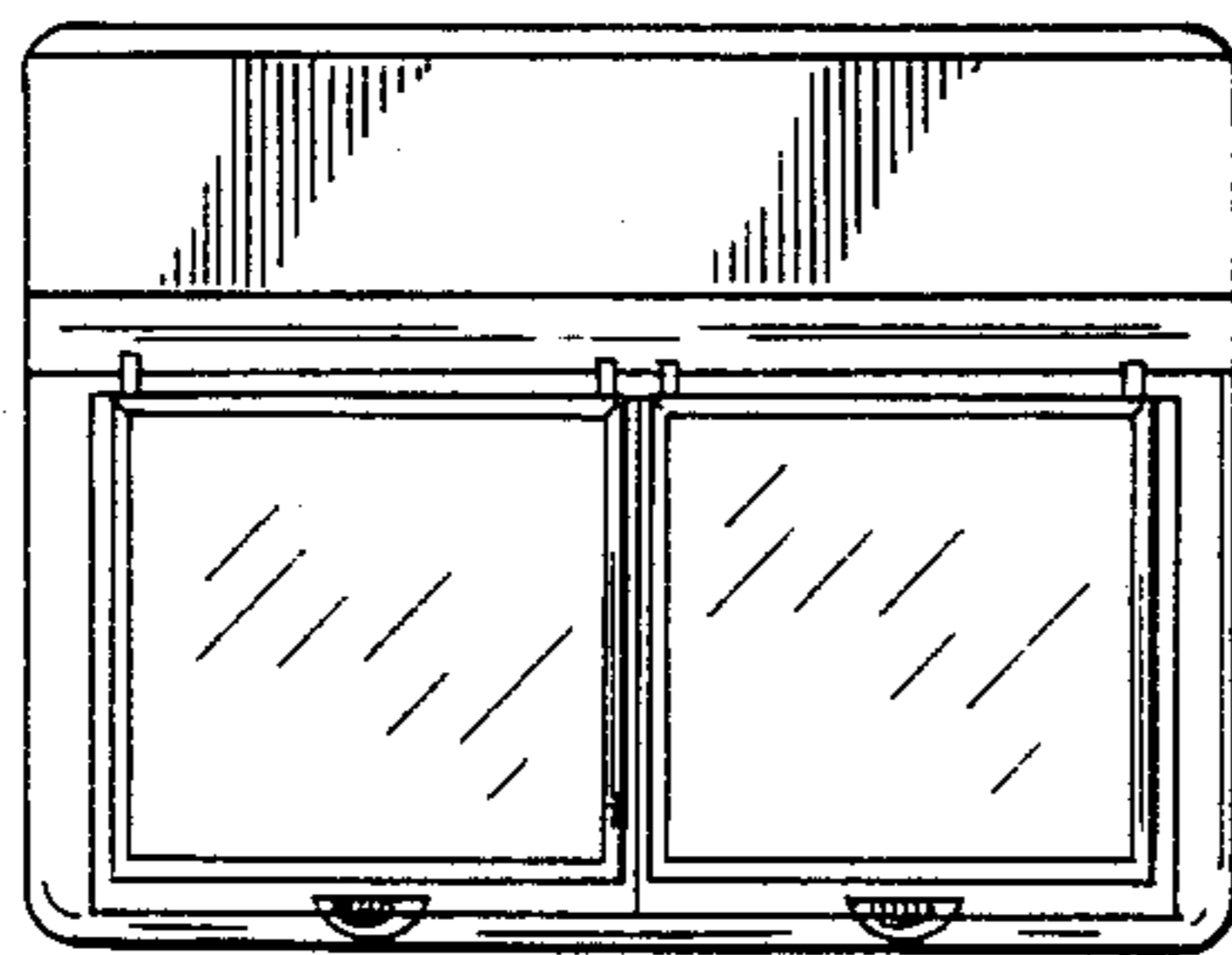


FIG. 2

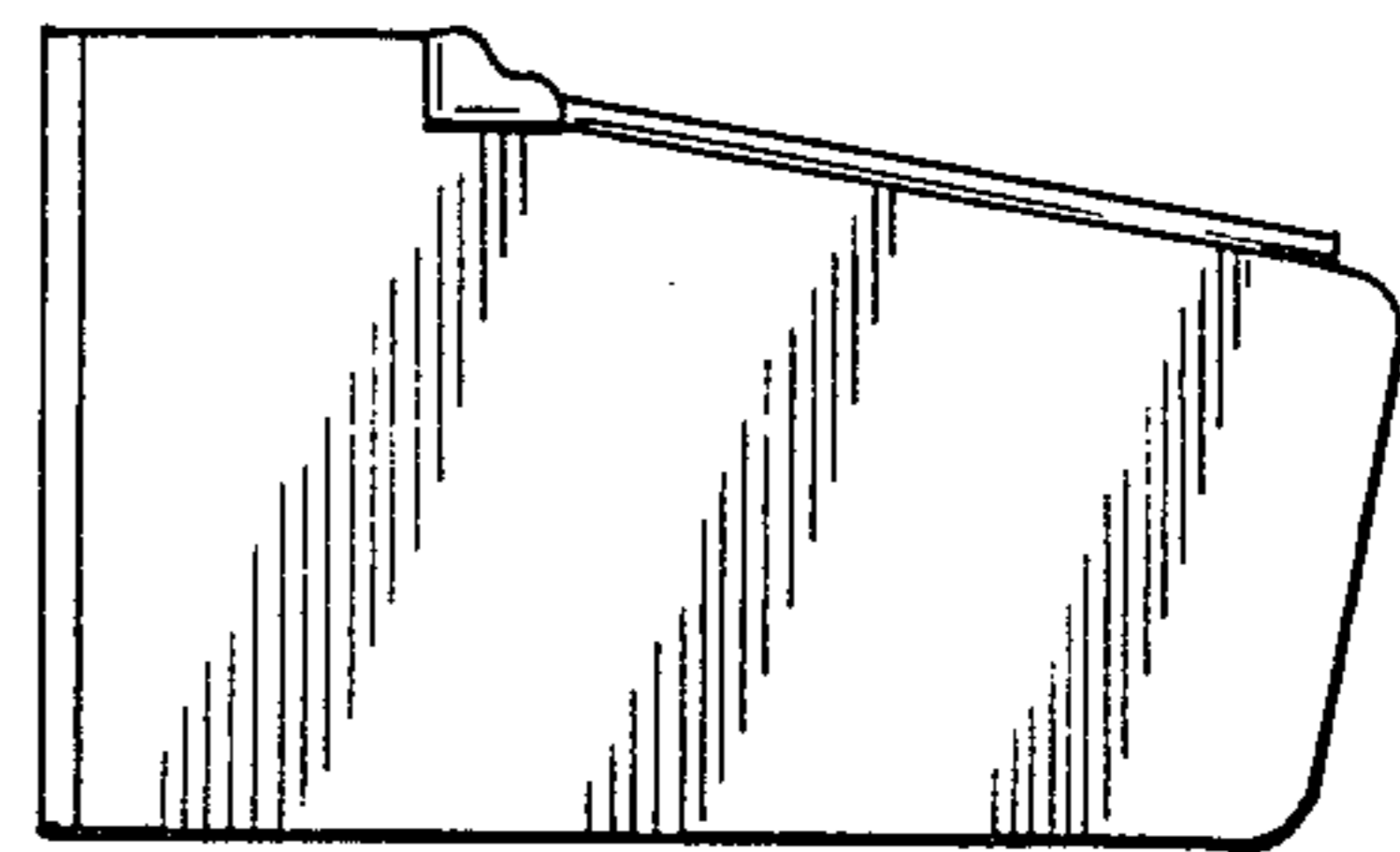


FIG. 4

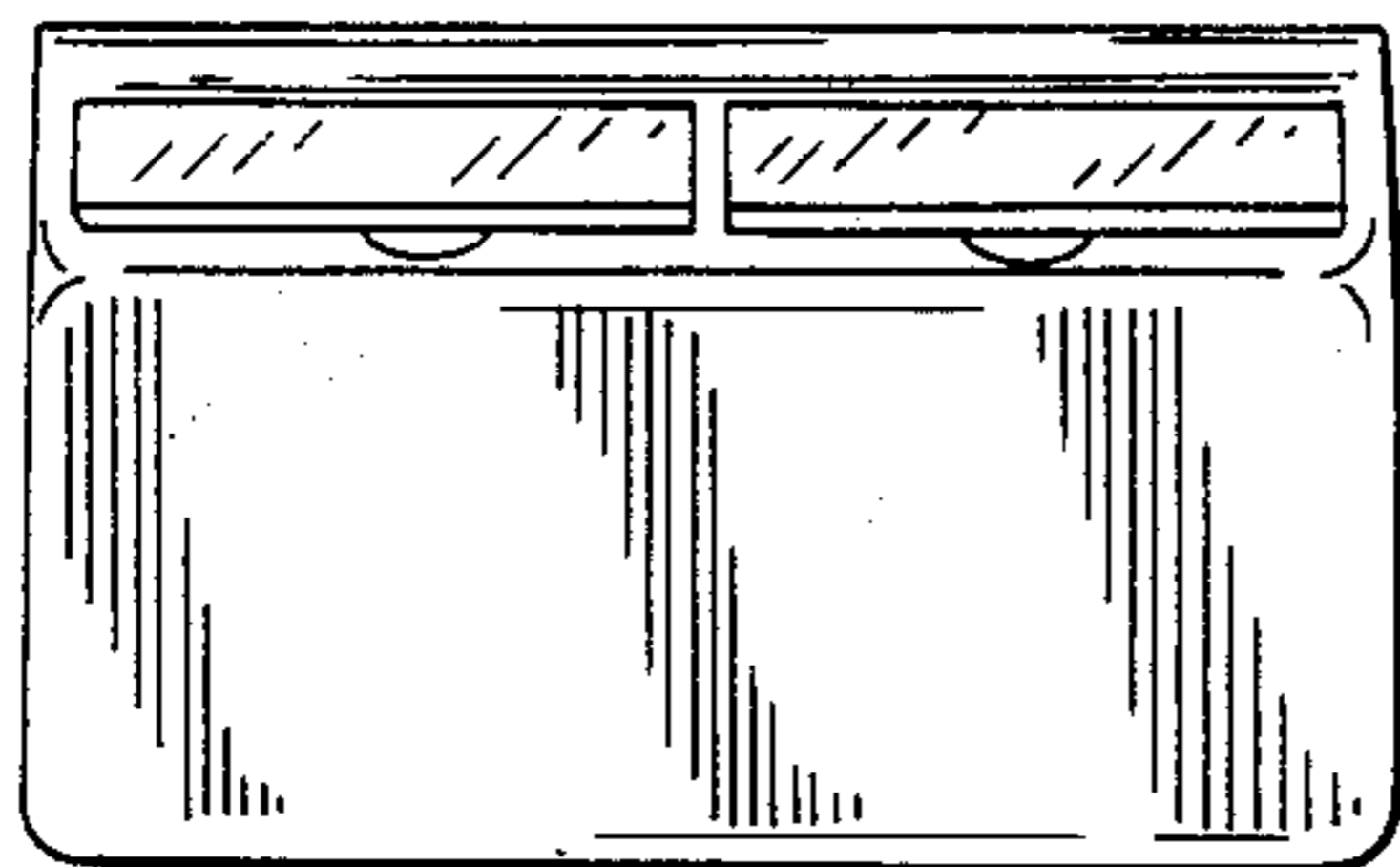


FIG. 3

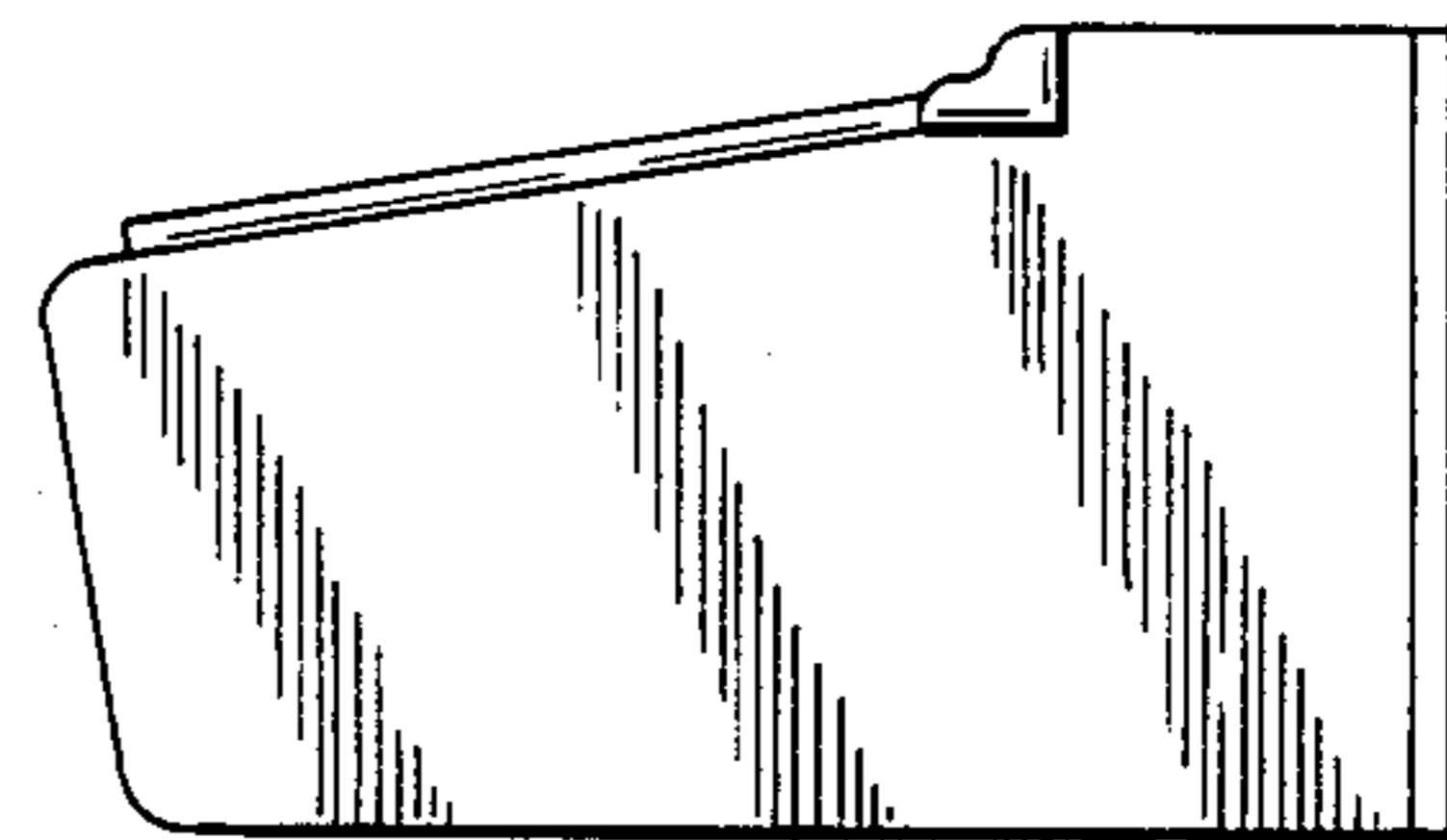


FIG. 5

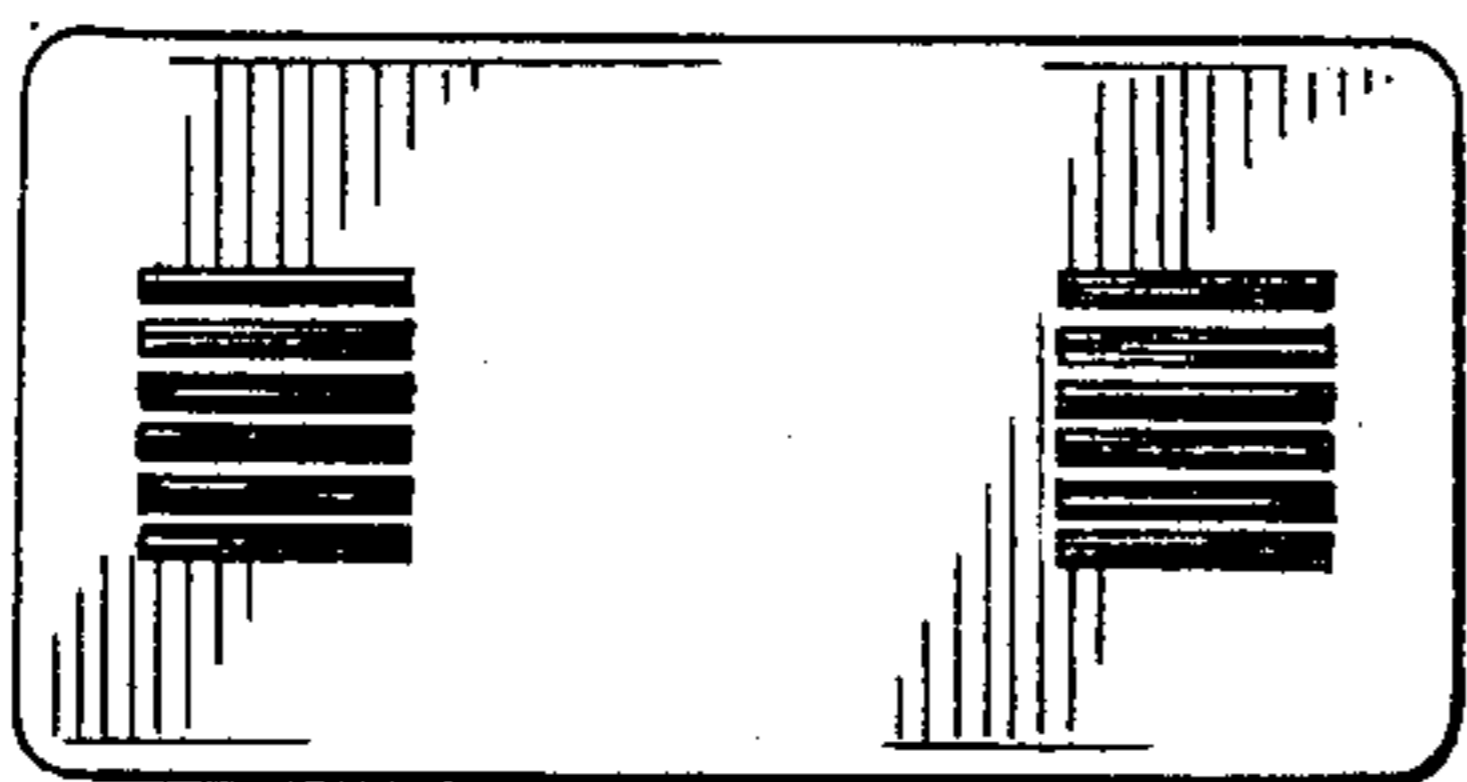


FIG. 7

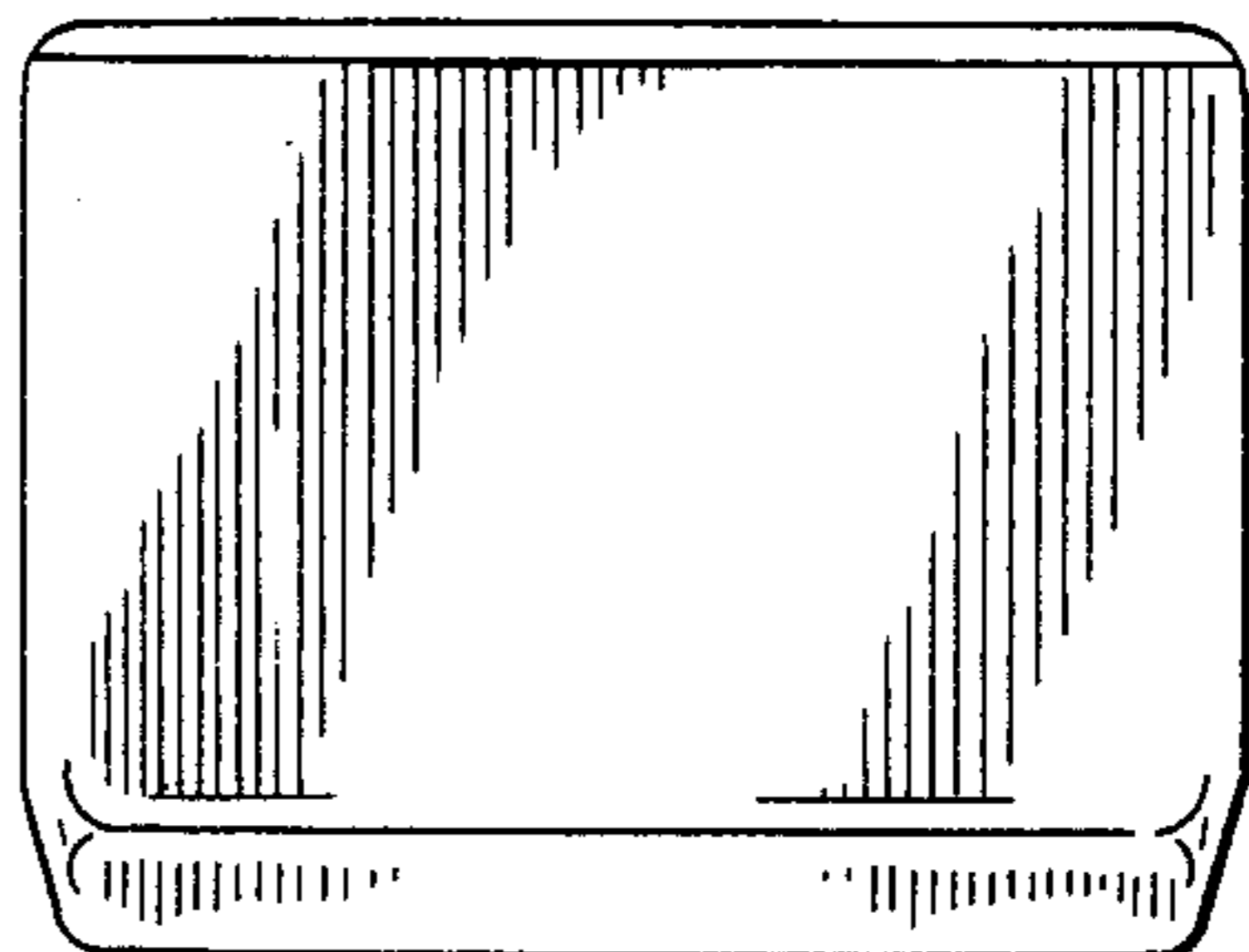


FIG. 6