

[54] CASE FOR A GUN OR THE LIKE

[75] Inventor: Donald V. Frydenberg, Arlington, Tex.

[73] Assignee: Daskocil Manufacturing Co., Inc., Arlington, Tex.

[**] Term: 14 Years

[21] Appl. No.: 470,967

[22] Filed: Mar. 1, 1983

[52] U.S. Cl. D3/38; D3/73

[58] Field of Search D3/30.1, 36-38, D3/72-74, 76; 206/315.1, 315.11, 317; 43/26; 150/82 R

[56] References Cited

U.S. PATENT DOCUMENTS

- D. 209,373 11/1967 Gordon D3/73
- D. 222,688 11/1971 Canton D3/36
- D. 231,151 4/1974 Brefka et al. D3/36

- D. 269,648 7/1983 Wilcox et al. D3/73
- 3,399,009 8/1968 Slade 206/315.11

OTHER PUBLICATIONS

Challenger Mfg. Corp. Cat., 1970, p. 1, top Gun Case.

Primary Examiner—George P. Word

Attorney, Agent, or Firm—Charles W. McHugh

[57] CLAIM

The ornamental design for a case for a gun or the like, as shown and described.

DESCRIPTION

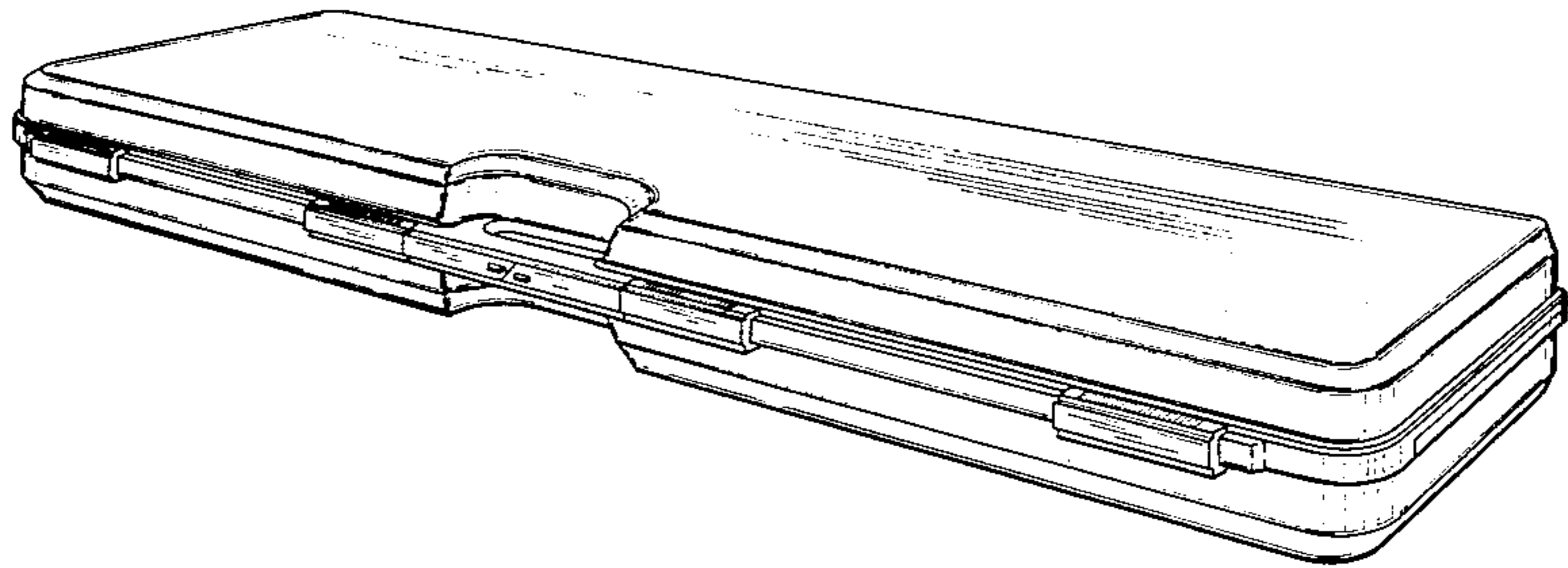
FIG. 1 is a perspective view of a case for a gun or the like showing my new design;

FIG. 2 is a plan view thereof, with both the top and bottom plan views being identical;

FIG. 3 is a front elevational view thereof;

FIG. 4 is a rear elevational view thereof; and

FIG. 5 is a side elevational view thereof, with both the right and left side views being identical.



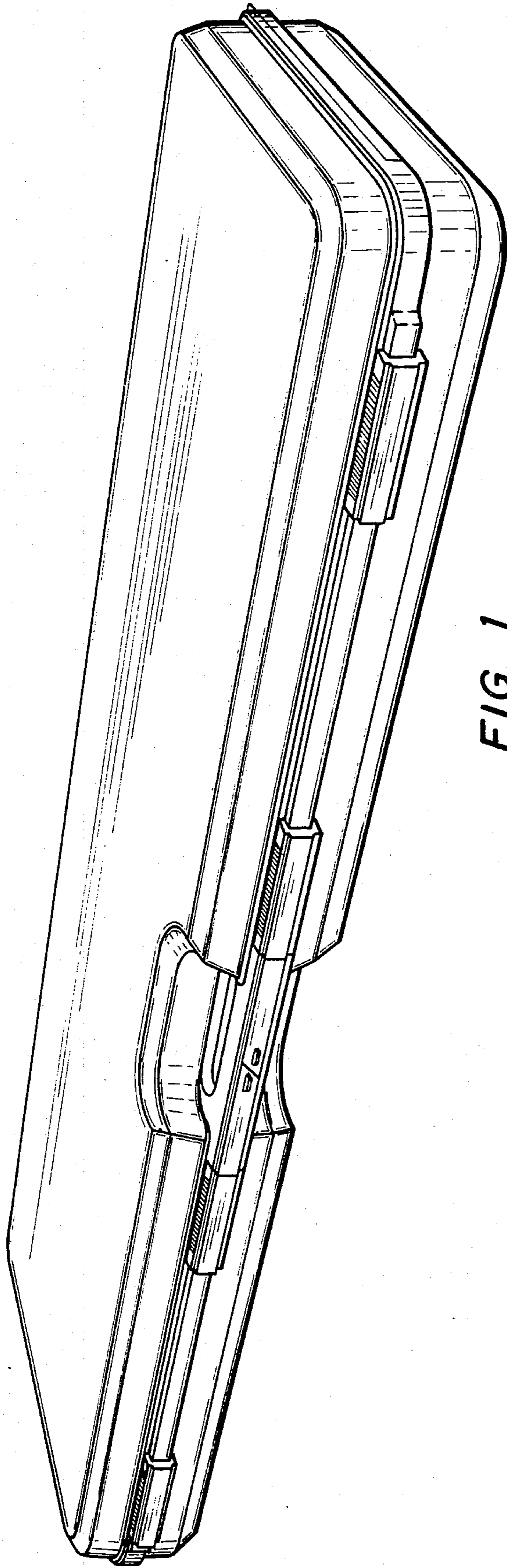


FIG. 1

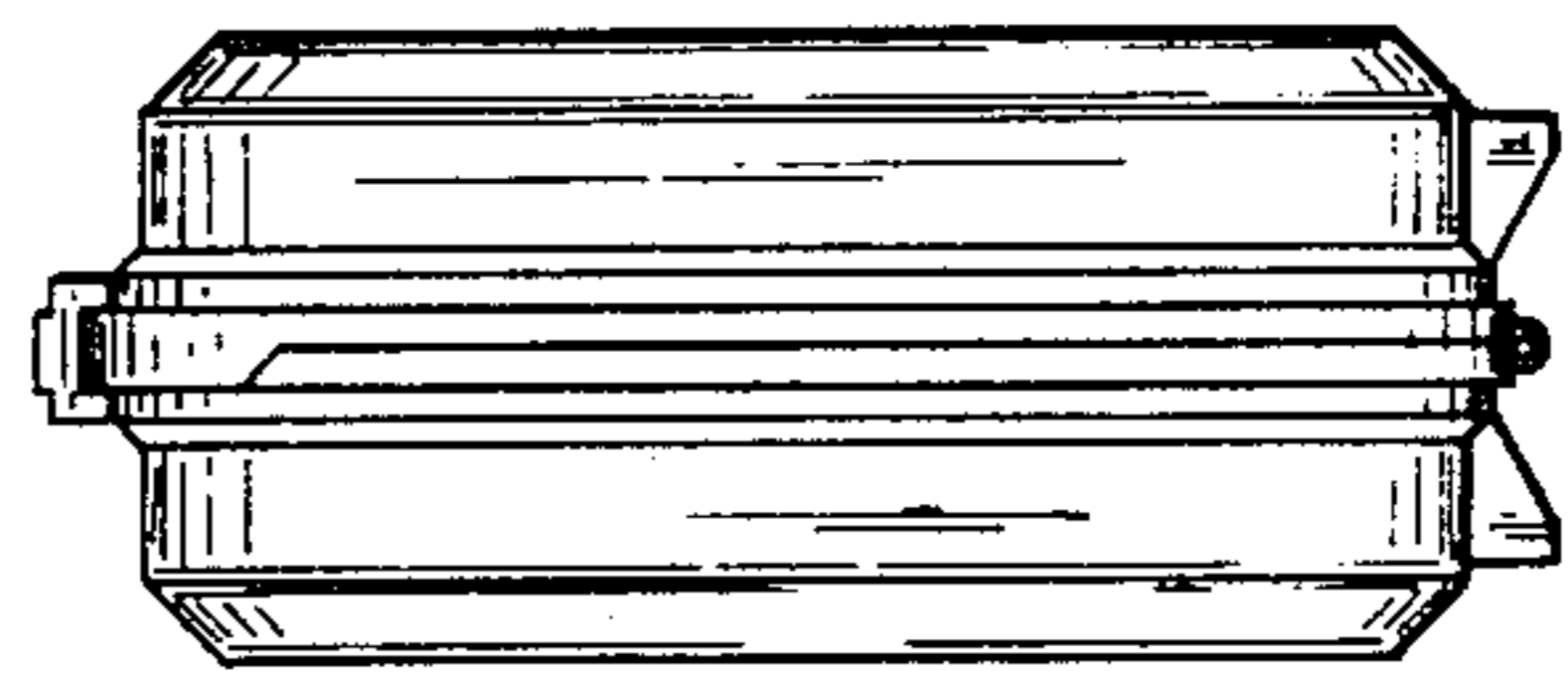


FIG. 5

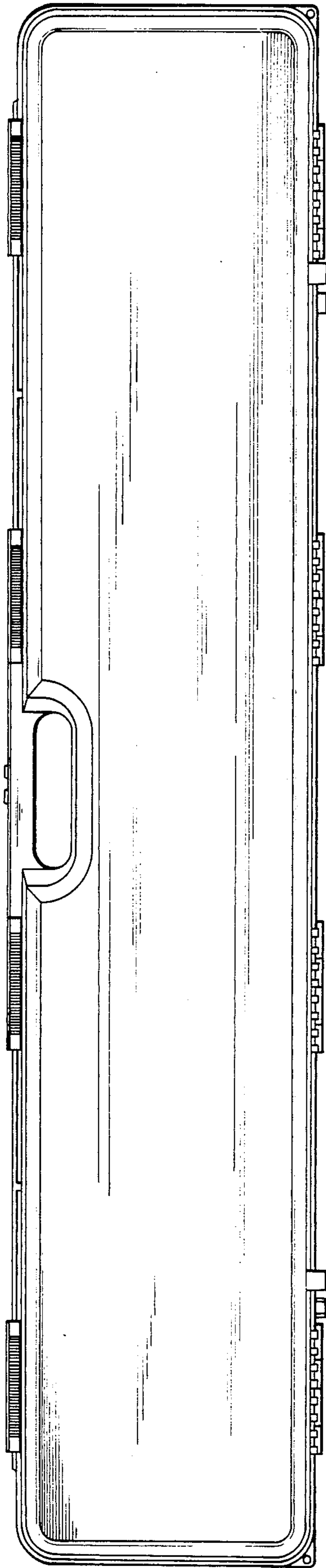


FIG. 2

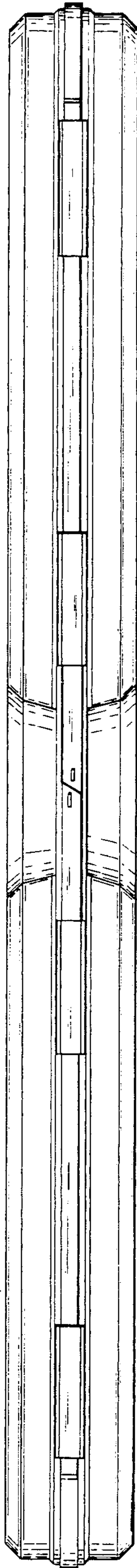


FIG. 3

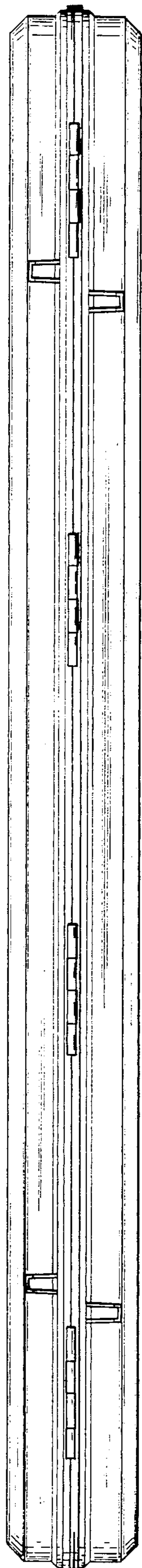


FIG. 4