

[54] HYDROTHERAPY SPA

[75] Inventor: Dean Myers, Santa Ana, Calif.

[73] Assignee: Gerico Fiberglass Products, Inc.,
Huntington Beach, Calif.

[**] Term: 14 Years

[21] Appl. No.: 415,394

[22] Filed: Sep. 7, 1982

[52] U.S. Cl. D24/38; D23/55;
D25/2

[58] Field of Search D24/38; 128/65, 66,
128/365, 369; 4/492-494, 506, 513, 541-545,
584, 589, 590; D25/2; D23/48, 49, 55-57

[56] References Cited

U.S. PATENT DOCUMENTS

- D. 247,978 5/1978 D'Innocente D23/55
- D. 254,688 4/1980 Reineman D24/38
- D. 271,522 11/1983 Wiley D23/55 X

OTHER PUBLICATIONS

Gerico Fiberglass Products, Inc., "Classic" Spa Brochure, ©1980.

Gerico Fiberglass Products, Inc., "Medalist" Spa Brochure, ©1980.

Encon Industries, Inc. Spa Brochure, ©1980.

Primary Examiner—Catherine E. Kemper

Attorney, Agent, or Firm—Knobbe, Martens, Olson & Bear

[57] CLAIM

The ornamental design for a hydrotherapy spa, as shown.

DESCRIPTION

FIG. 1 is a perspective view of the hydrotherapy spa, showing my new design;

FIG. 2 is a top plan view thereof;

FIG. 3 is a cross sectional view taken along line 3—3 of FIG. 2; and

FIG. 4 is another cross sectional view taken along line 4—4 of FIG. 2.

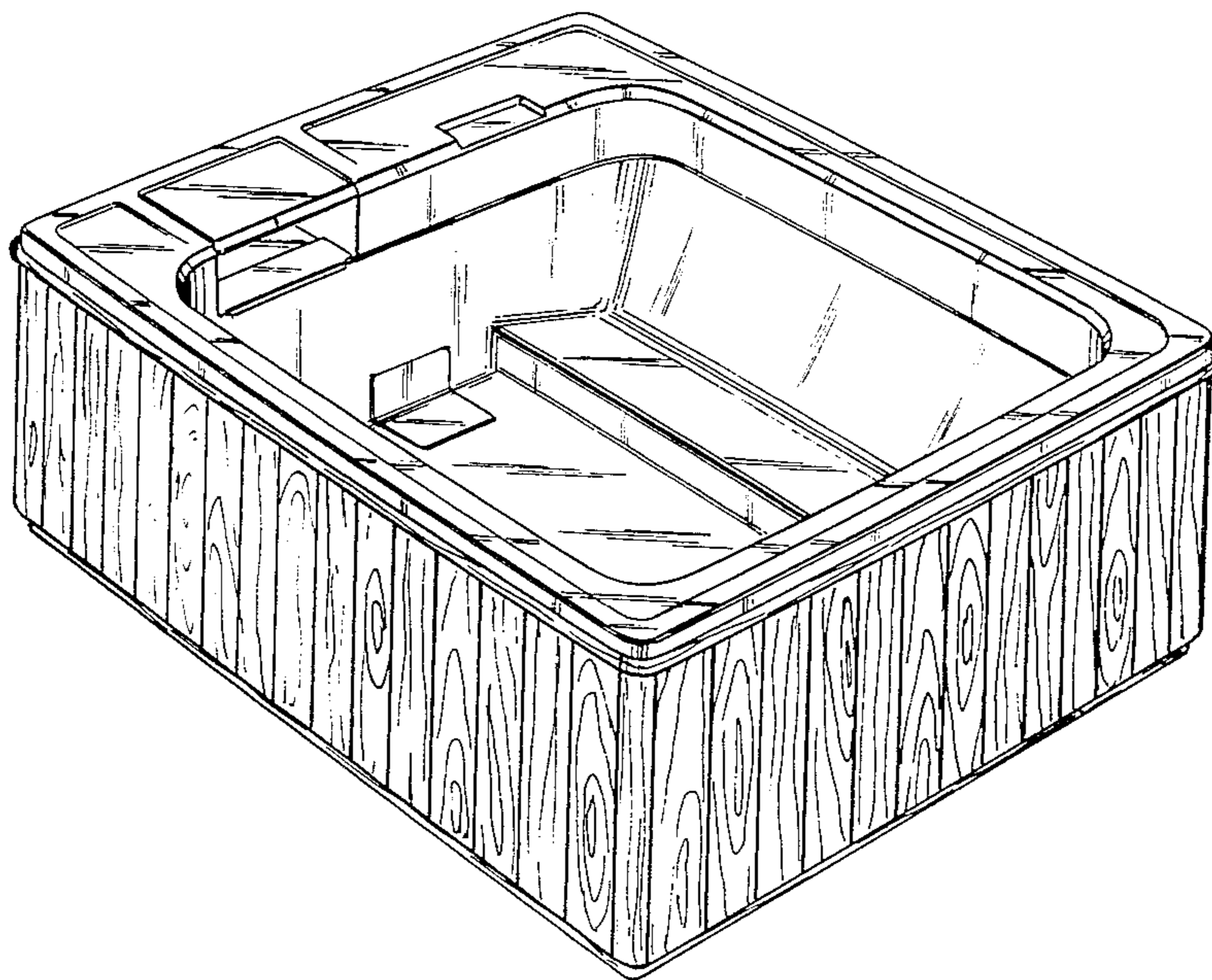


Fig. 1

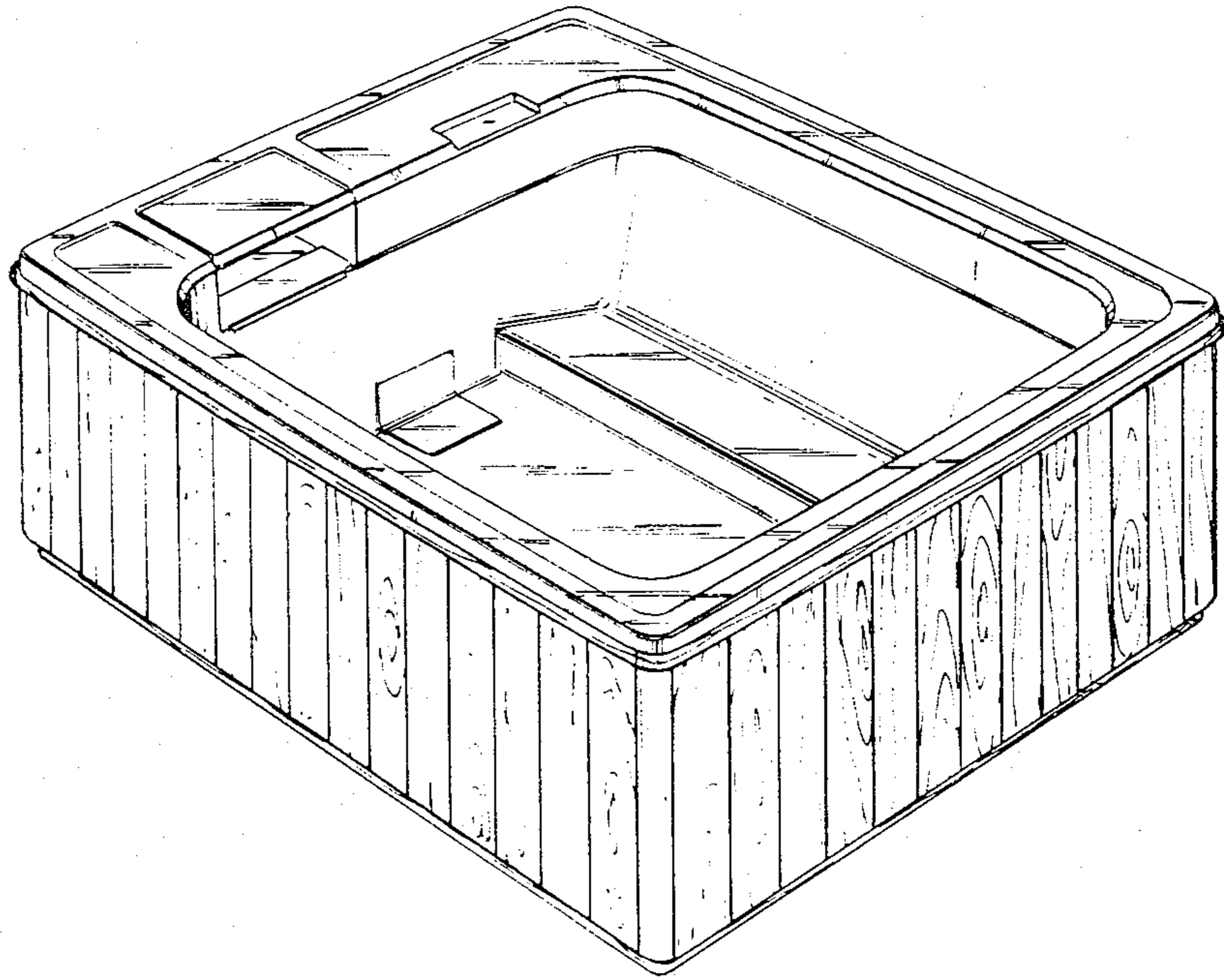


Fig. 2

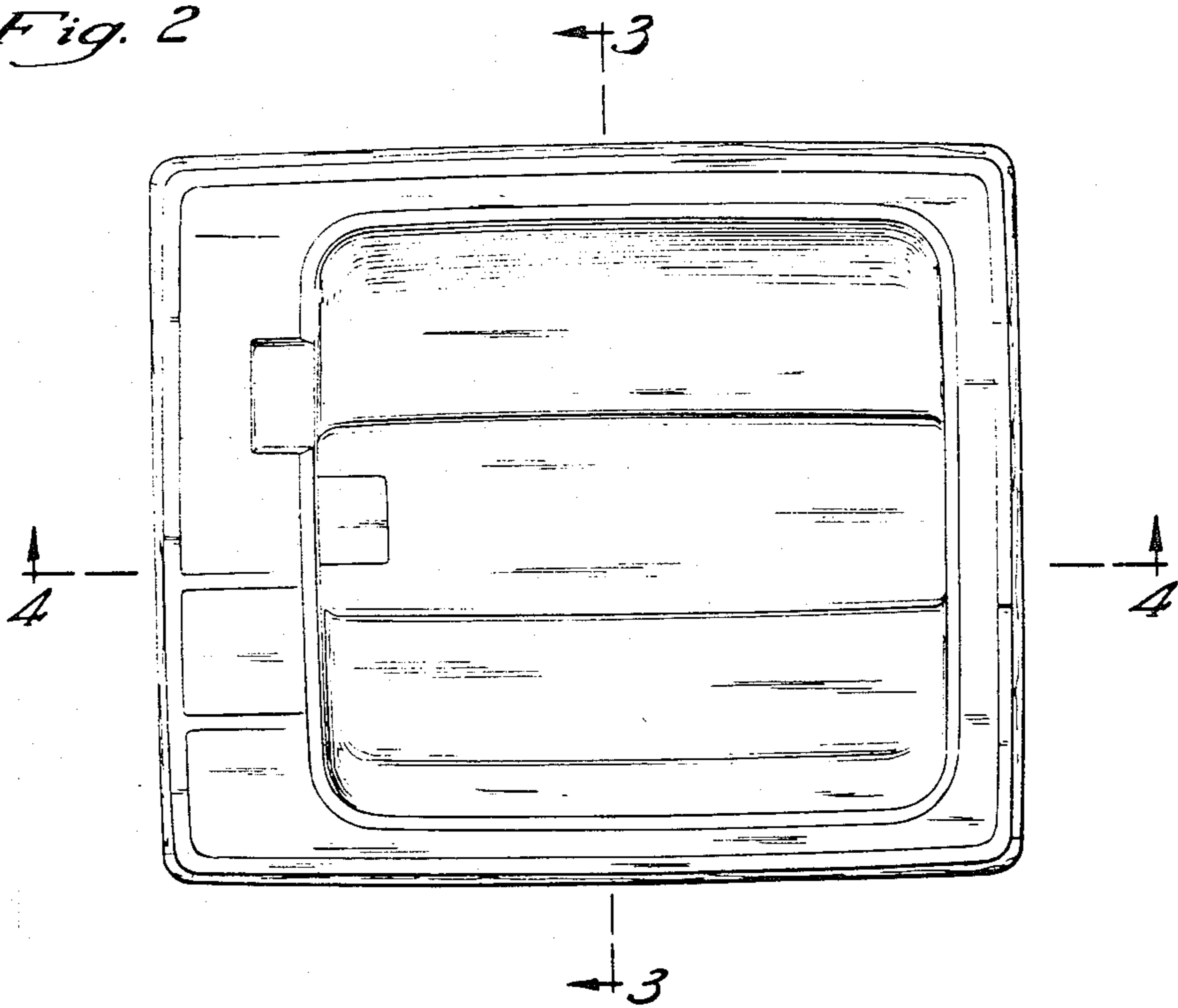


Fig. 3

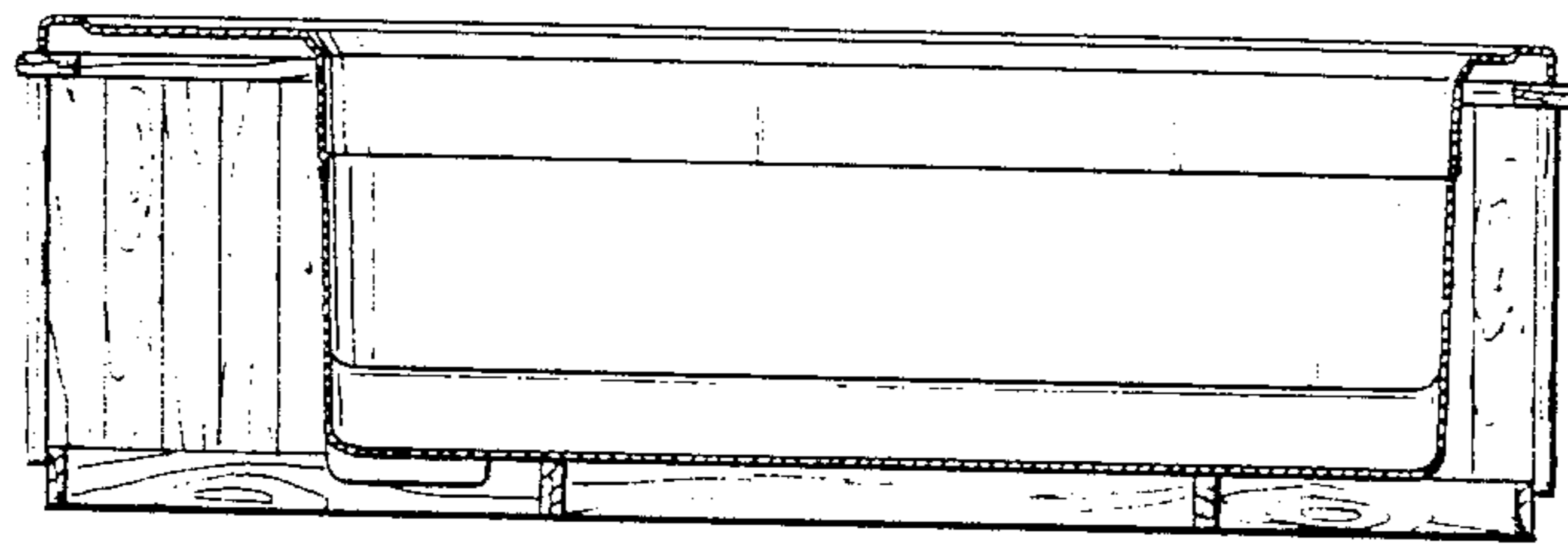
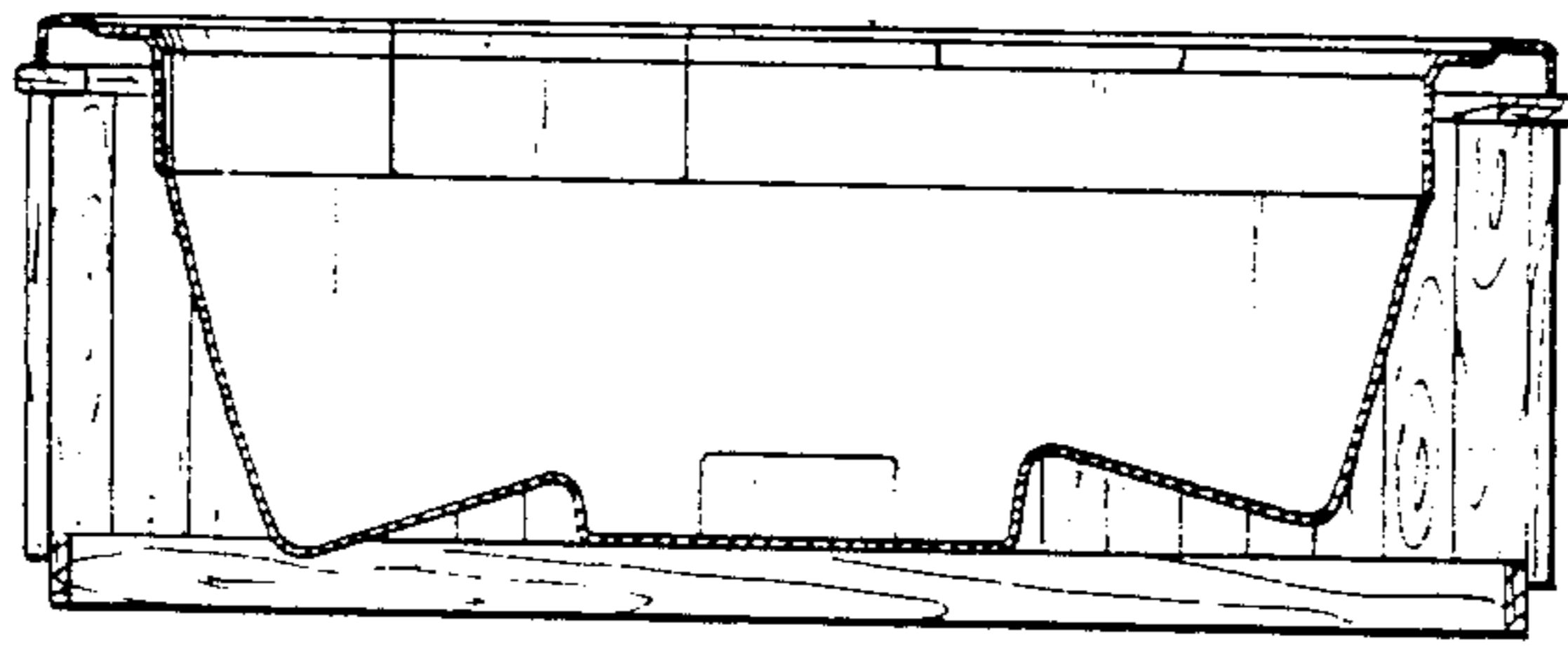


Fig. 4