

[54] TILTABLE TOILET SEAT FOR DISABLED PERSONS

[76] Inventor: Joseph Loyd, 1032 N. Richman Ave., Fullerton, Calif. 92635

[**] Term: 14 Years

[21] Appl. No.: 374,475

[22] Filed: May 3, 1982

[52] U.S. Cl. D23/71

[58] Field of Search D23/69-71; 4/234, 237, 251, 254; 297/330, DIG. 10

[56] References Cited

U.S. PATENT DOCUMENTS

D. 234,202	1/1975	Aldred	D23/71
D. 271,614	11/1983	Martin	D23/48
3,458,872	8/1969	Hellstrom et al.	297/DIG. 10 X
3,473,174	10/1969	Cool	4/251

4,168,552 9/1979 Austin 4/237

Primary Examiner—James R. Largen
Attorney, Agent, or Firm—John E. Wagner

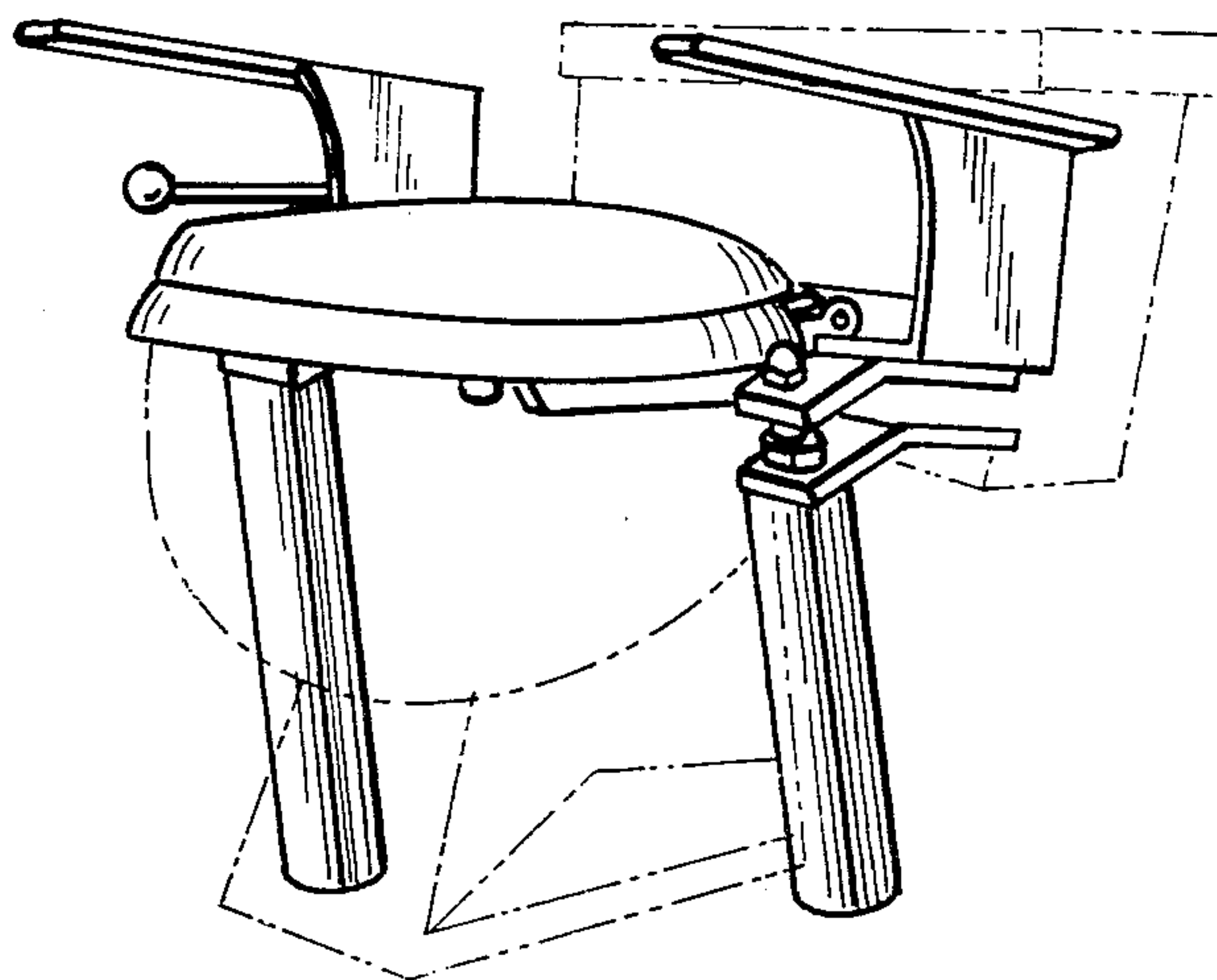
[57] CLAIM

The tiltable toilet seat for disabled persons, as shown and described.

DESCRIPTION

FIG. 1 is a perspective view of a tiltable toilet seat for disabled persons showing my new design; FIG. 2 is a top plan view thereof; FIG. 3 is a front elevational view thereof; FIG. 4 is a rear elevational view thereof; FIG. 5 is a right side elevational view thereof; and FIG. 6 is a left side elevational view thereof; FIG. 7 is a bottom view thereof.

The broken line representation of a toilet in FIG. 1 is for purpose of illustration only.



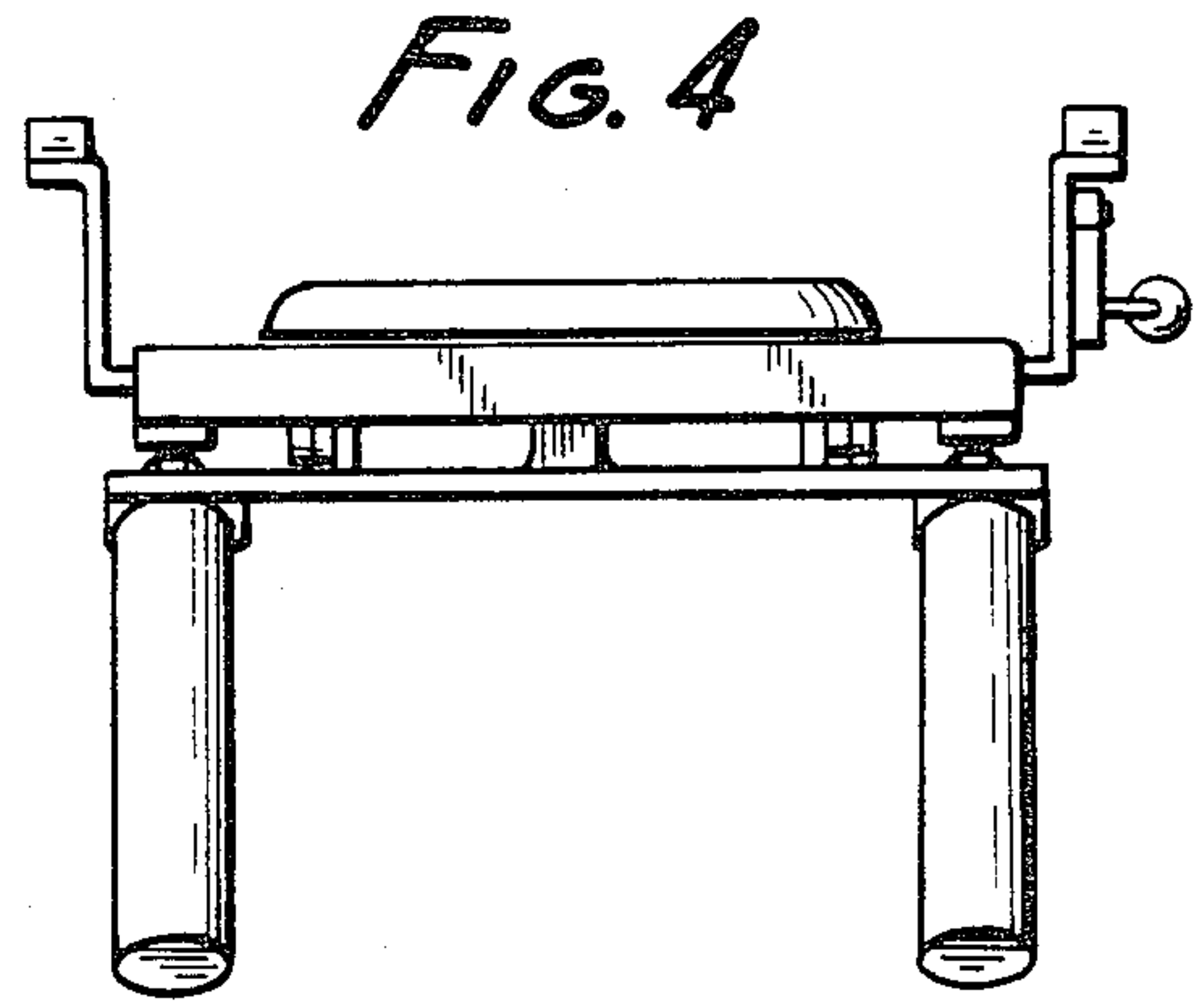
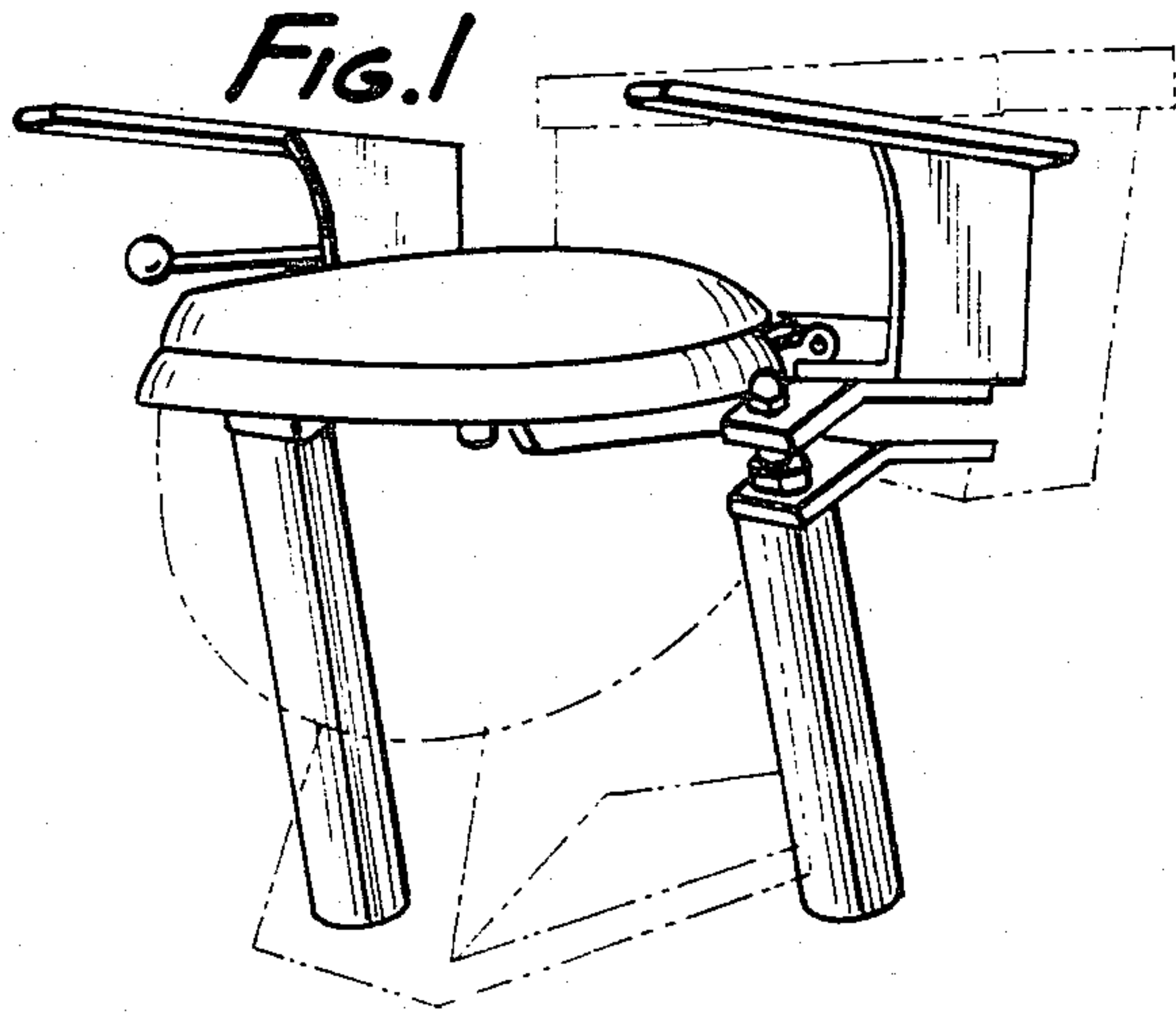


FIG. 2

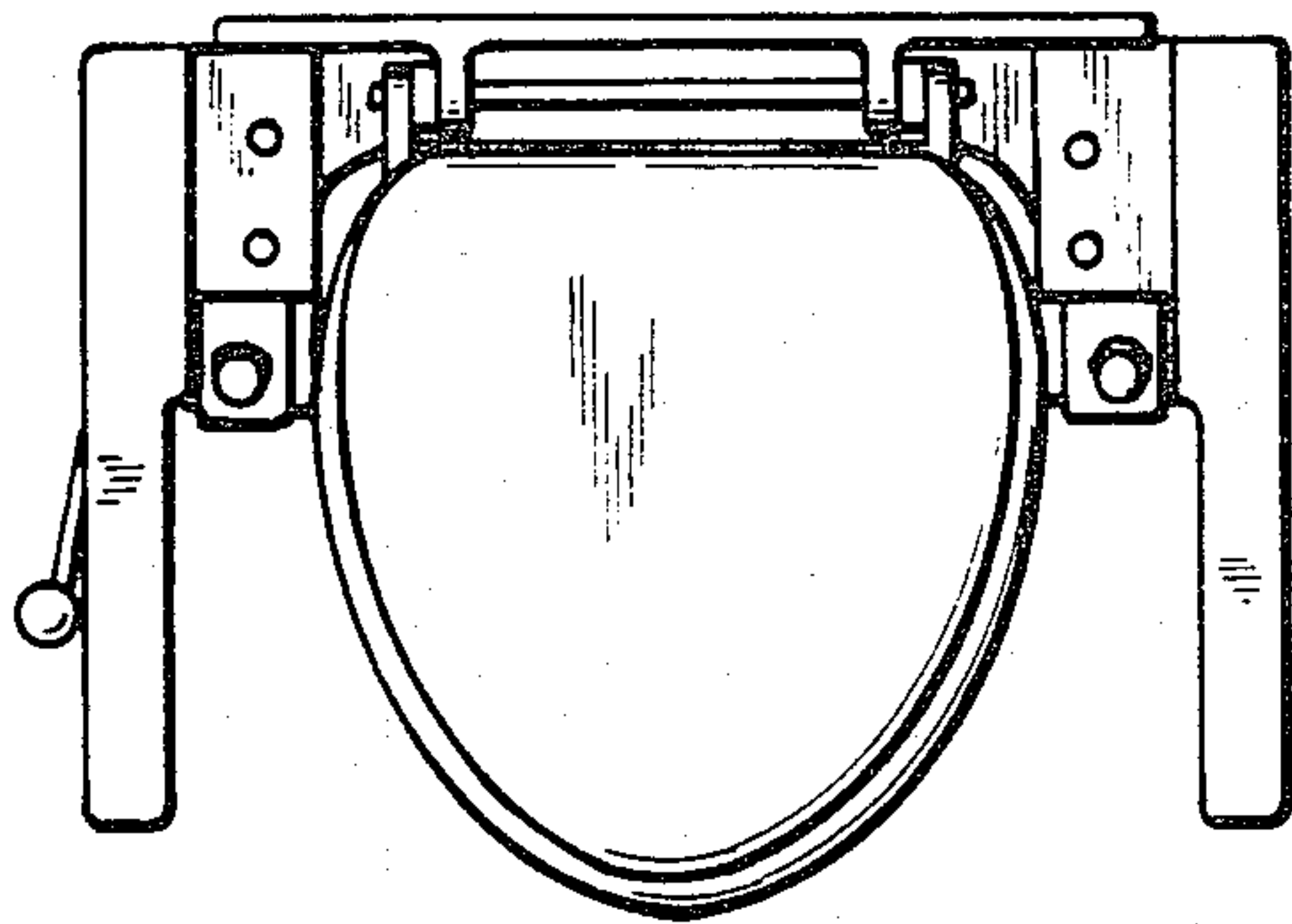


FIG. 7

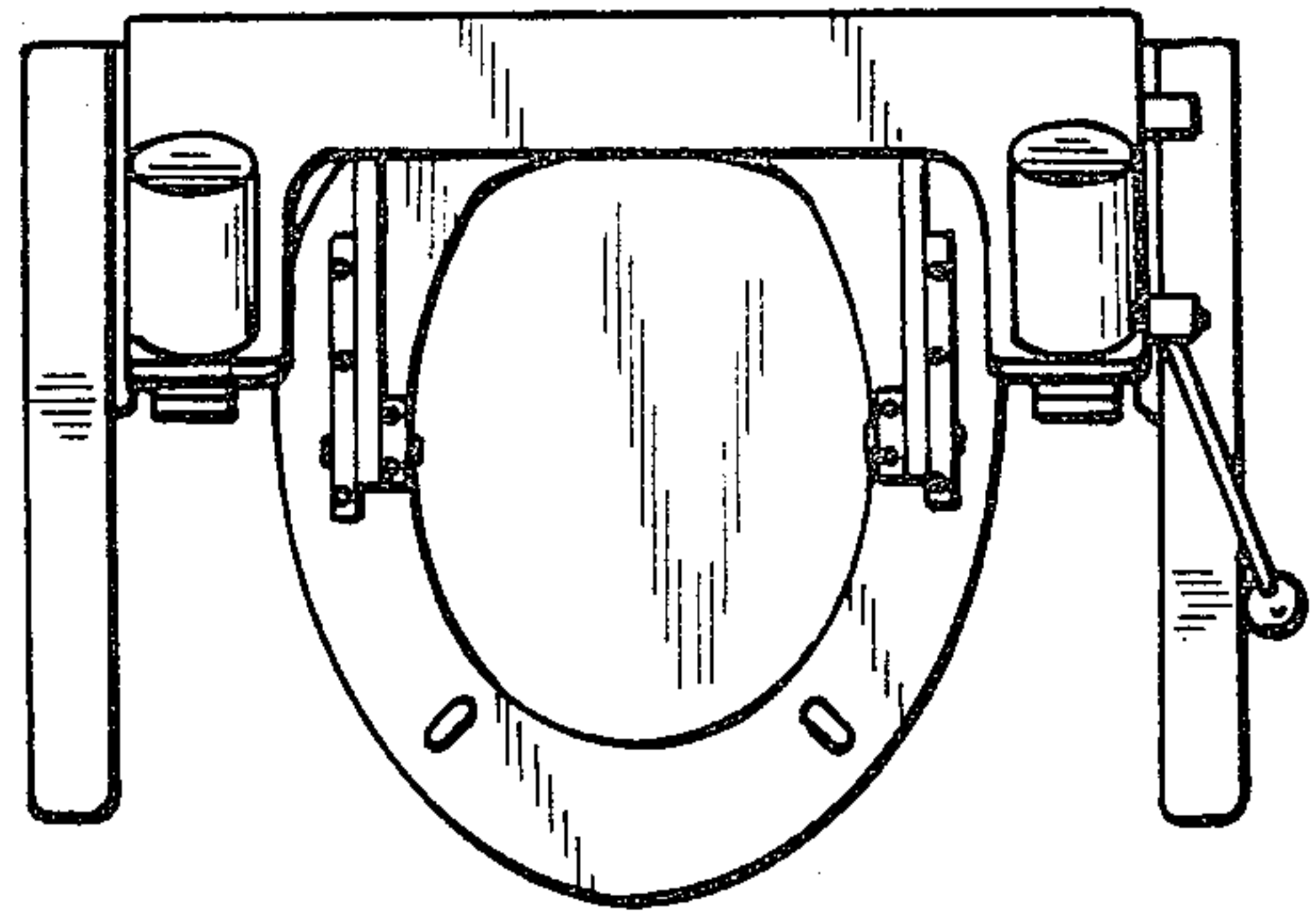


FIG. 3

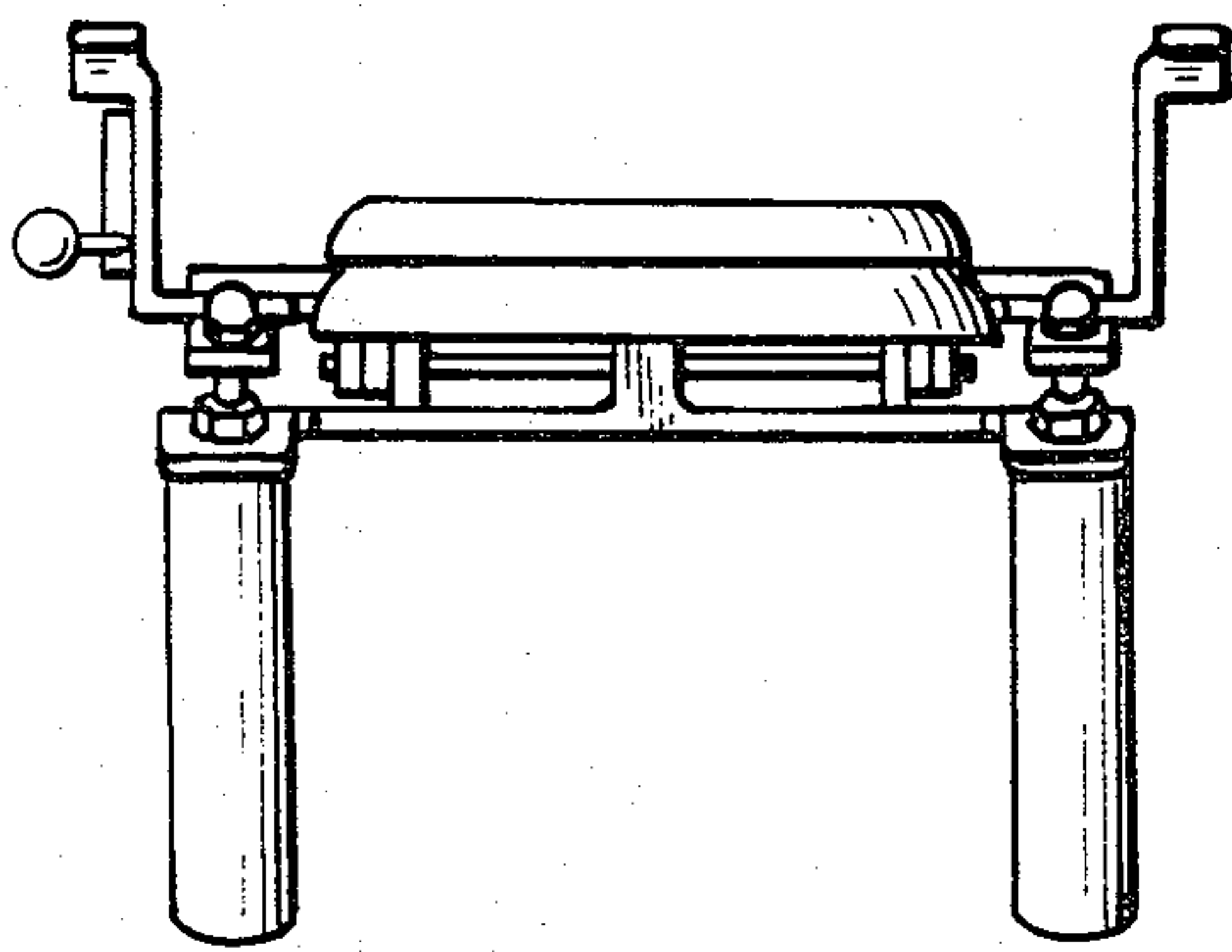


FIG. 5

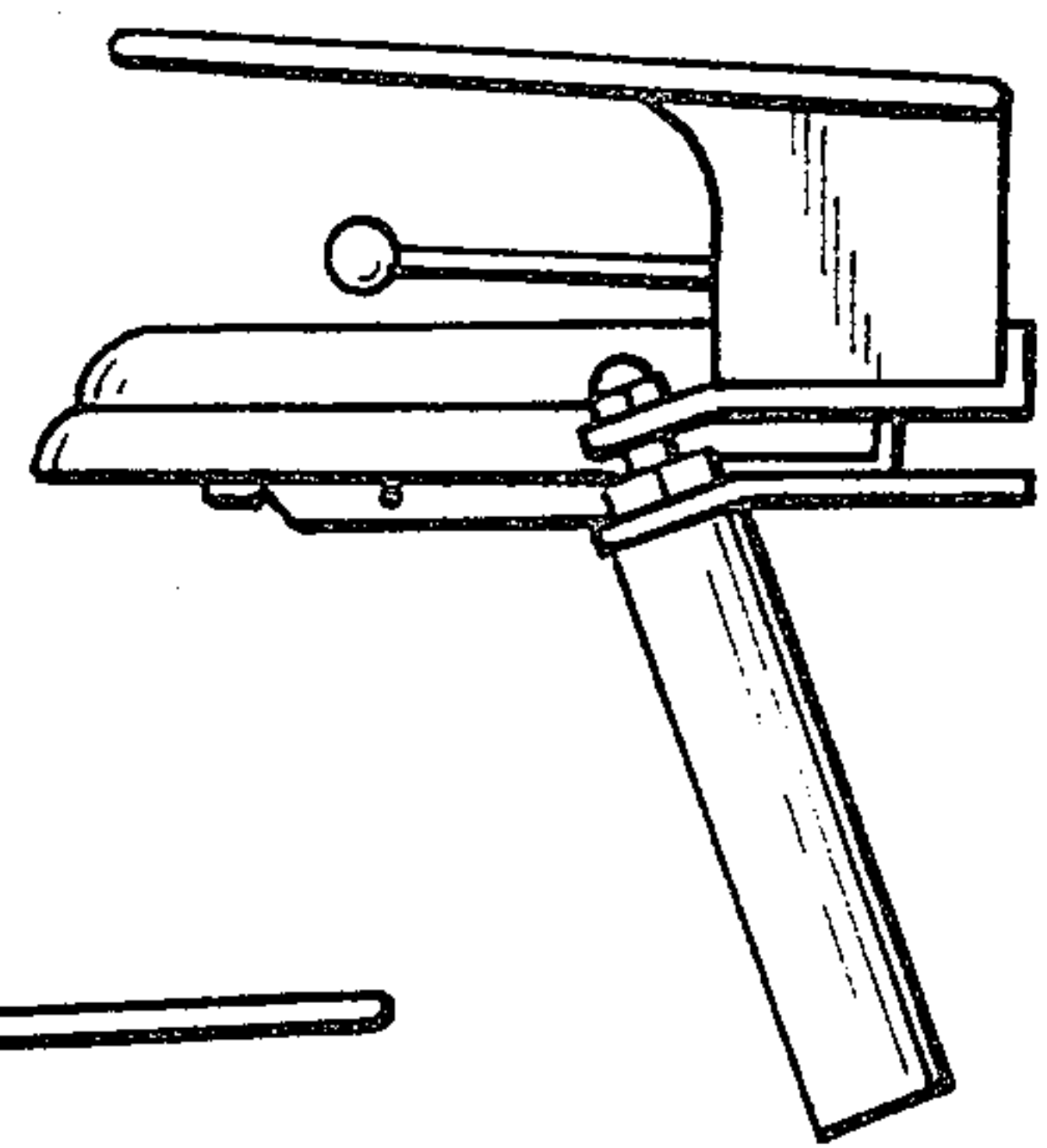


FIG. 6

