

[54] **CART FOR SUPPORTING A LINE MARKER**

[75] **Inventor: Clive J. Morris, Cheam, England**

[73] **Assignee: Texalon International Limited,
Surrey, England**

[**] **Term: 14 Years**

[21] **Appl. No.: 405,351**

[22] **Filed: Aug. 5, 1982**

[30] **Foreign Application Priority Data**

Apr. 21, 1982 [GB] United Kingdom 1006305

[52] **U.S. Cl.** **D34/17**

[58] **Field of Search** **D34/28, 26, 17, 15;**
280/47.34, 47.36, 47.37 R; 239/172, 146, 149;
222/611; D15/13

[56] **References Cited**

U.S. PATENT DOCUMENTS

271,533	11/1983	Kinder	D34/18
929,597	7/1909	Johnson	239/146
1,940,606	12/1933	Ryan	222/611
4,262,821	4/1981	Smrt	239/172

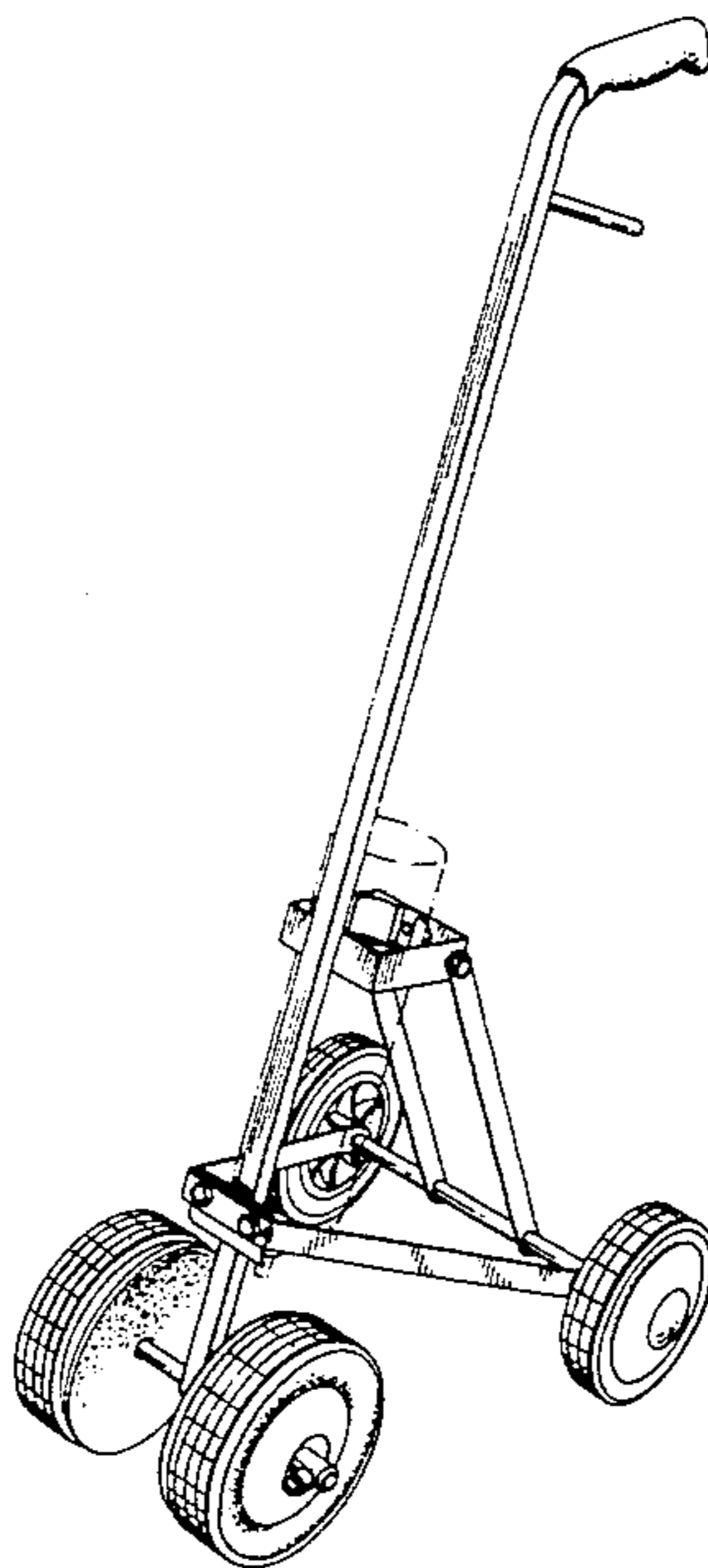
Primary Examiner—James M. Gandy
Assistant Examiner—Kay H. Chin
Attorney, Agent, or Firm—Laff, Whitesel, Conte & Saret

[57] **CLAIM**

The ornamental design for a cart for supporting a line marker, as shown and described.

DESCRIPTION

FIG. 1 is a perspective view of a cart for supporting a line marker taken from the left front corner;
FIG. 2 is a perspective view thereof taken from the right rear corner;
FIG. 3 is a side elevation view thereof;
FIG. 4 is a front elevation view thereof.



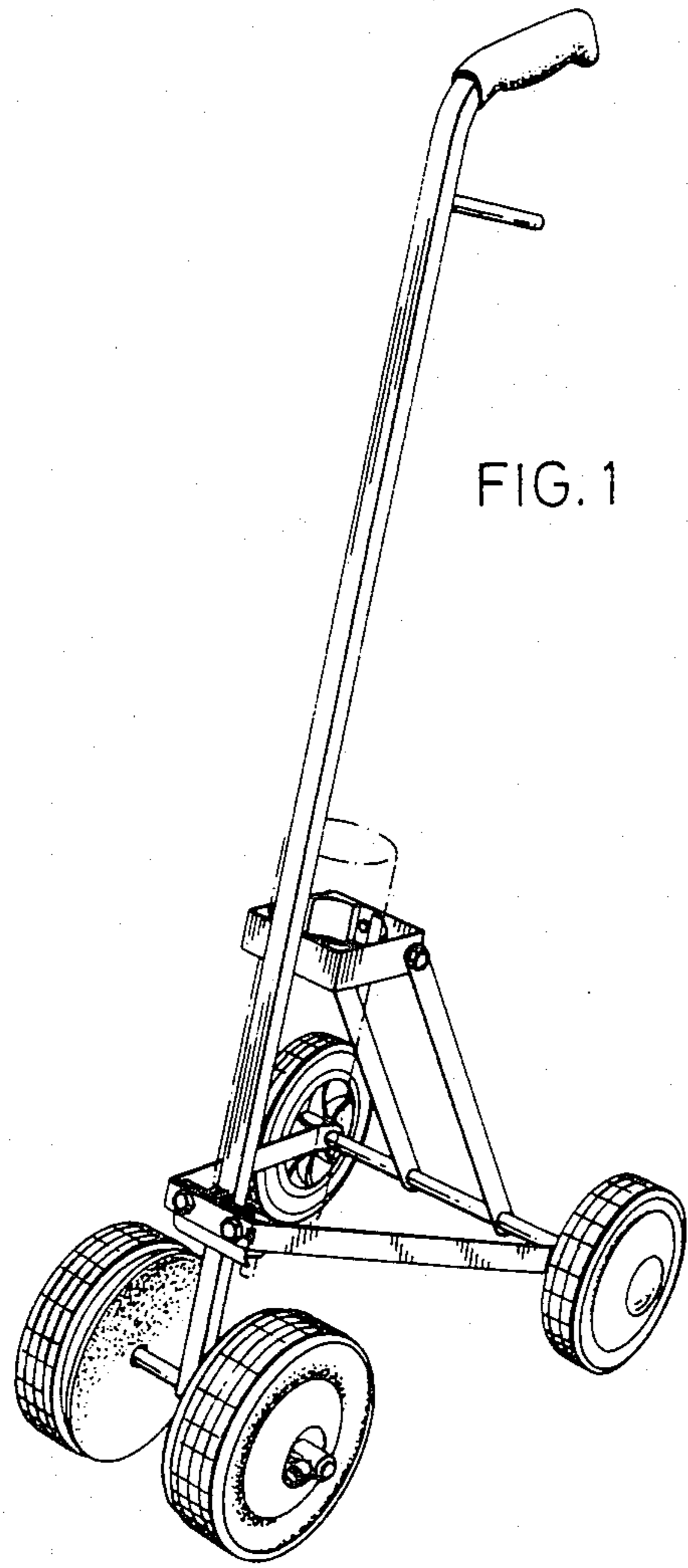


FIG. 1

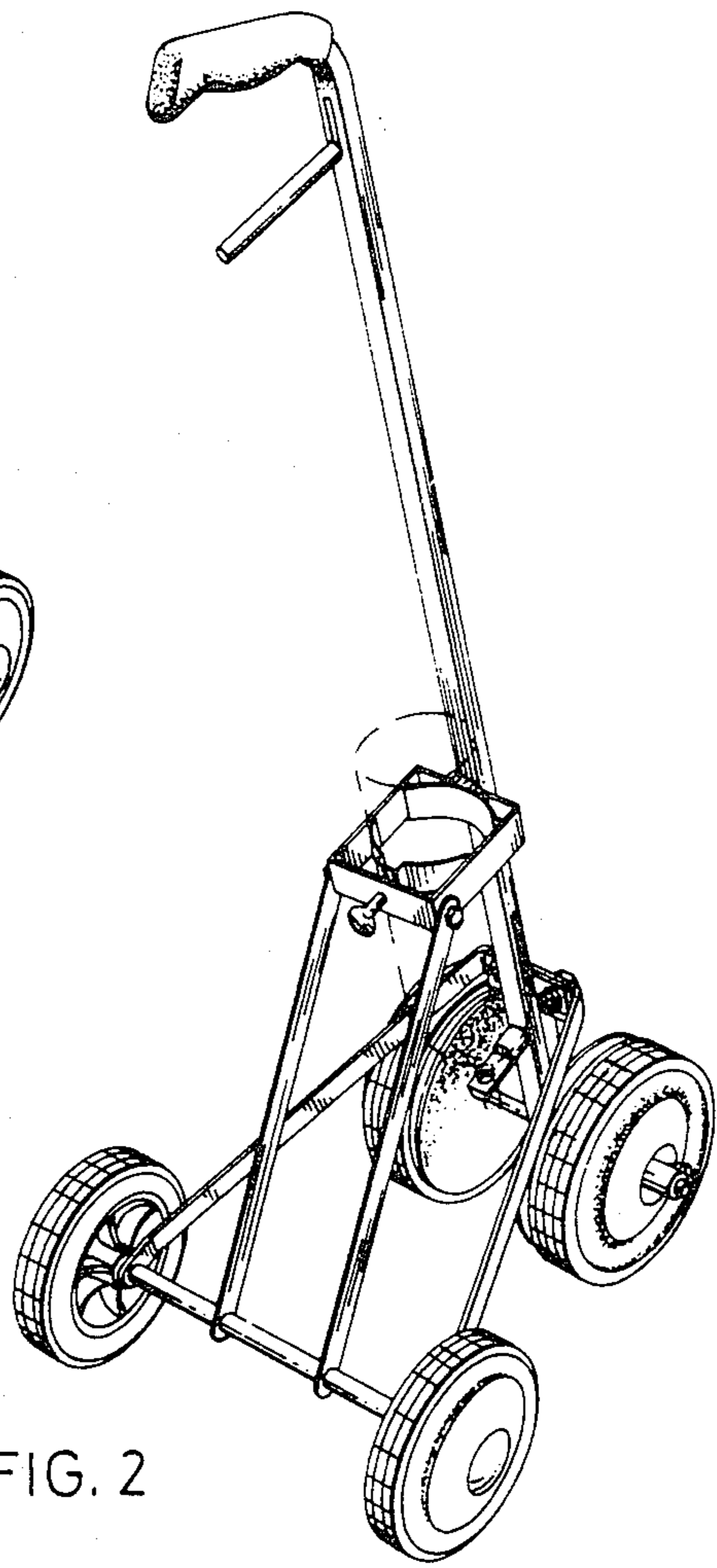


FIG. 2

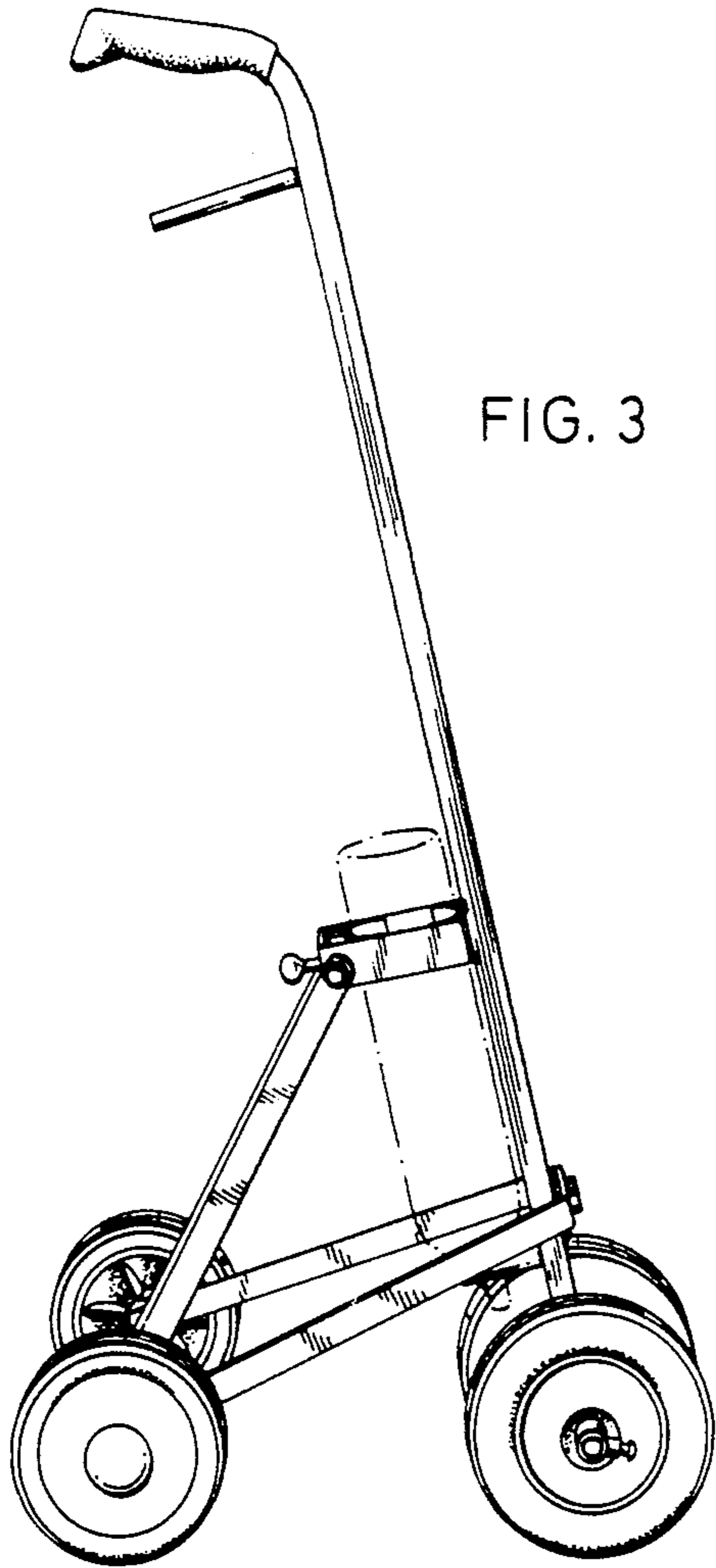


FIG. 3

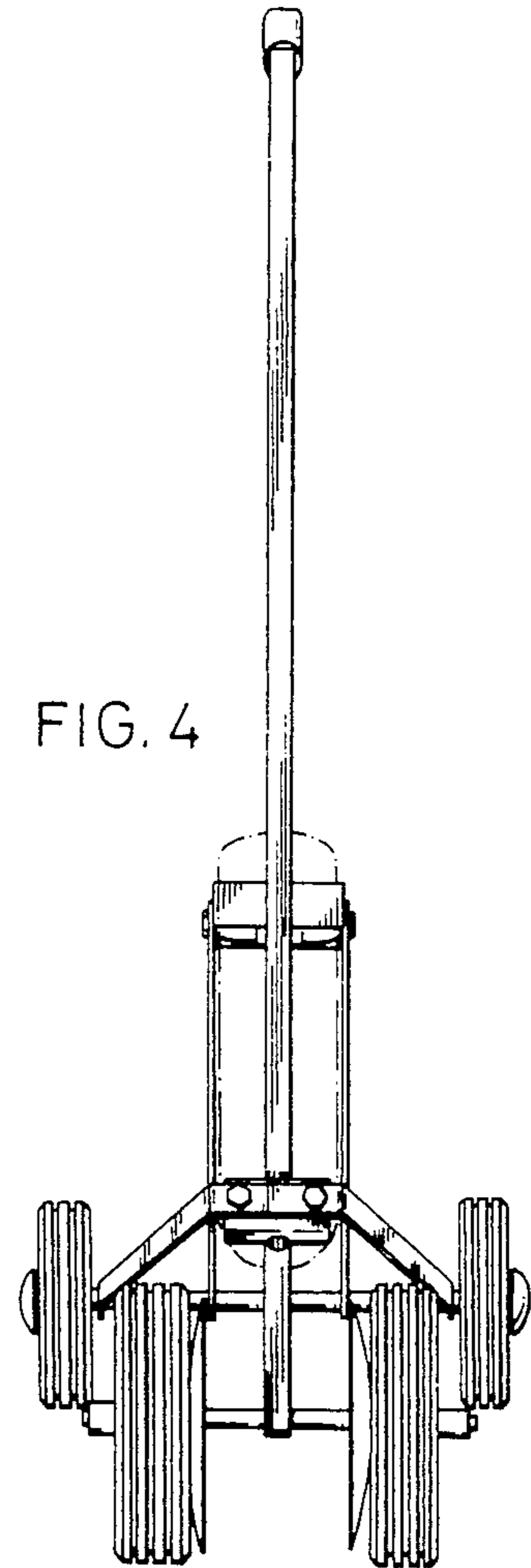


FIG. 4