

[54] BIRD FEEDER

[75] Inventors: Peter A. Latham, Rye, N.H.; Ira Velinsky, Wayne, Pa.

[73] Assignee: Opus, Inc., Framingham, Mass.

[**] Term: 14 Years

[21] Appl. No.: 455,603

[22] Filed: Jan. 4, 1983

[52] U.S. Cl. D30/15

[58] Field of Search D30/13-18; 119/51 R, 51.5, 52 R

D. 262,917	2/1982	Kilham	D30/14
D. 267,355	12/1982	Blasbalg	D30/15
3,568,641	3/1971	Kilham	D30/14 X
4,144,842	3/1979	Schlising	119/52 R
4,188,913	2/1980	Earl et al.	119/51 R
4,246,869	1/1981	Tobin, Jr.	119/51 R
4,327,669	5/1982	Blasbalg	119/51 R

Primary Examiner—James R. Largen
Attorney, Agent, or Firm—Wolf, Greenfield & Sacks

[57] CLAIM

The ornamental design for a bird feeder, as shown and described.

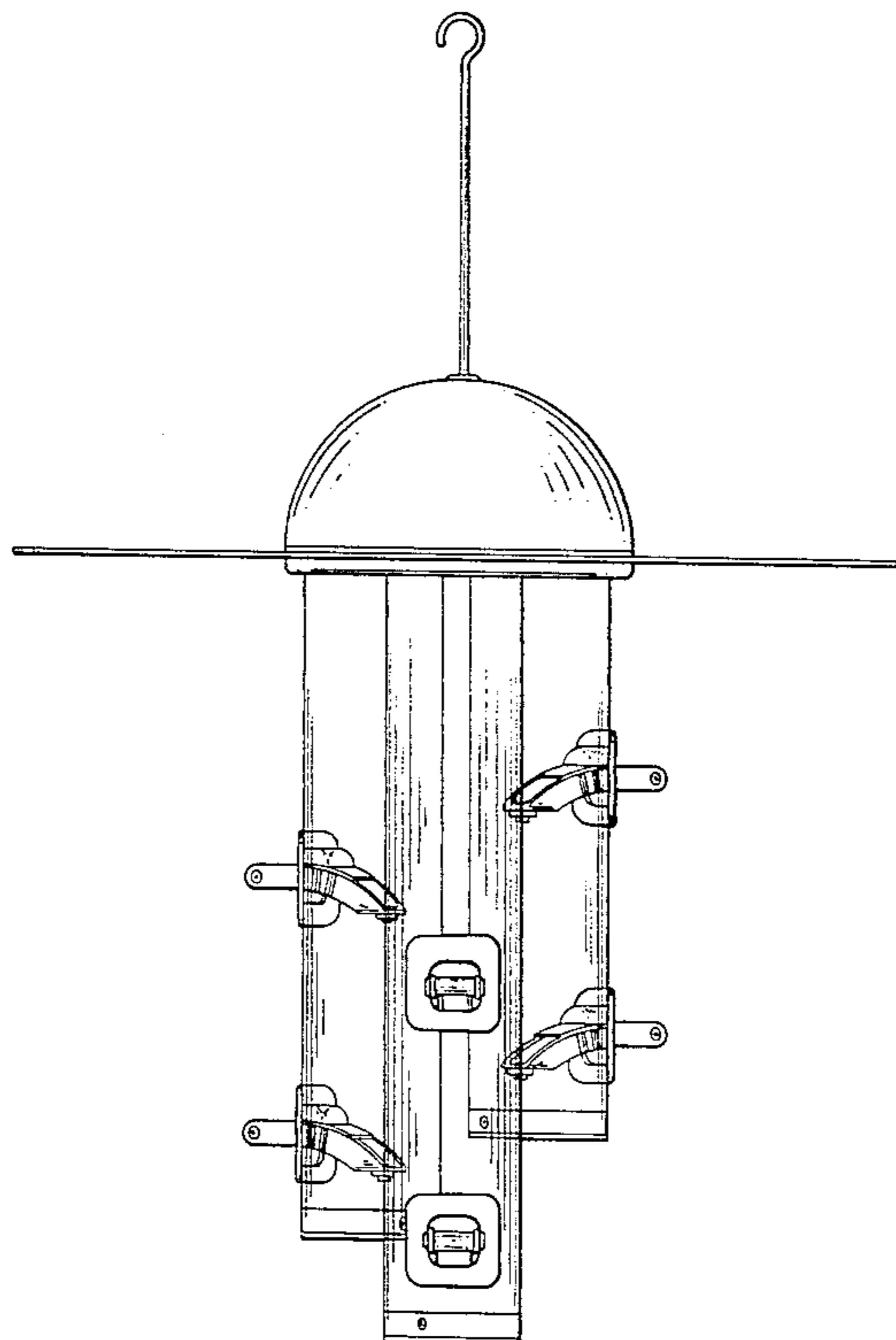
DESCRIPTION

FIG. 1 is a side elevational view of a bird feeder showing our new design;
FIG. 2 is another side elevational view thereof, taken 120 degrees to the right of FIG. 1;
FIG. 3 is a third side elevational view thereof, taken 120 degrees to the left of FIG. 1;
FIG. 4 is a top plan view thereof; and
FIG. 5 is a bottom plan view thereof.

[56] References Cited

U.S. PATENT DOCUMENTS

D. 115,321	6/1939	Pueschel	D30/15
D. 193,558	9/1962	Parry	D30/14
D. 231,369	4/1974	Kilham	D30/14
D. 245,349	8/1977	Fisher, Jr.	D30/15
D. 251,021	2/1979	Blasbalg	D30/15
D. 252,591	8/1979	Hyde, Jr.	D30/14



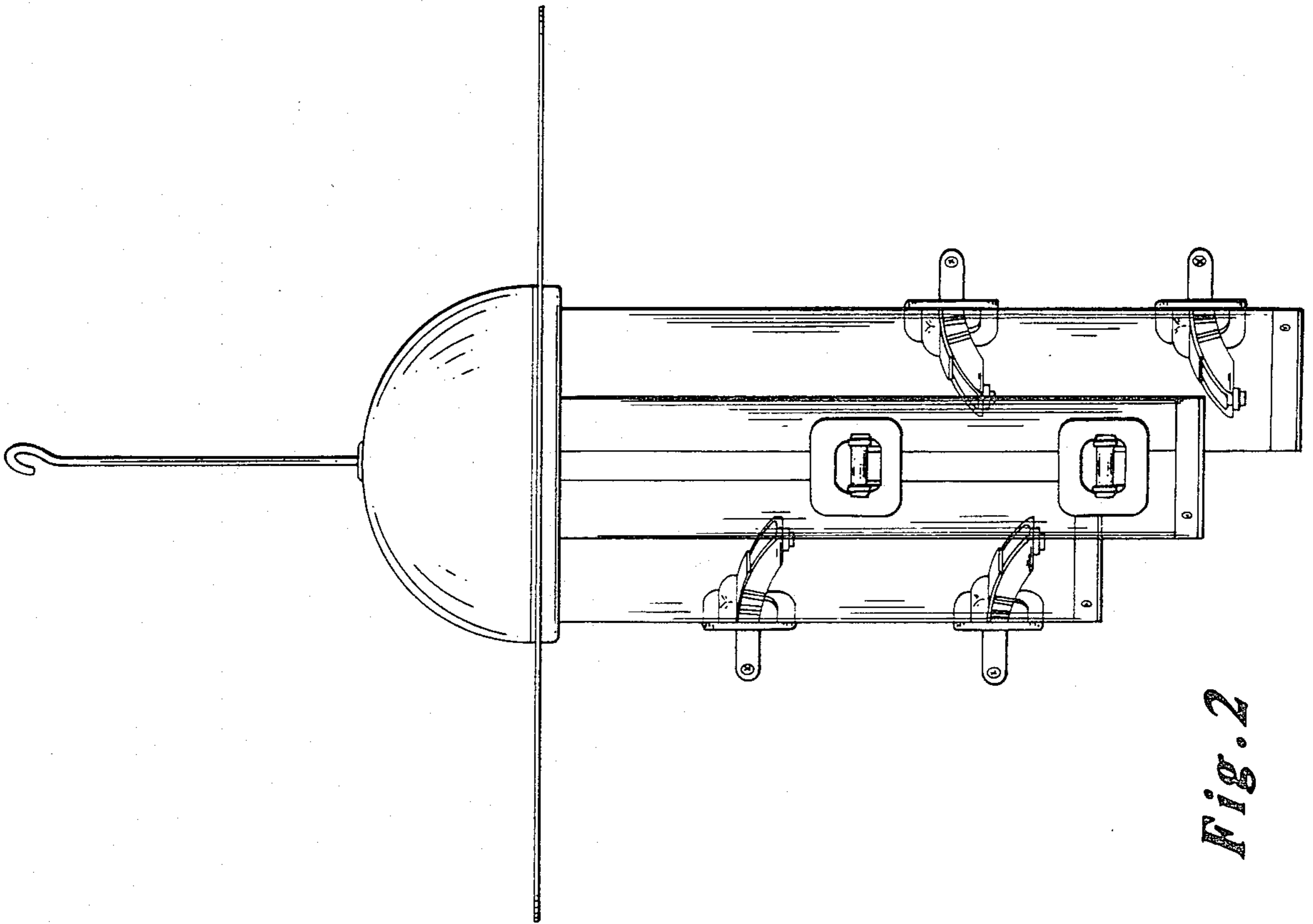


Fig. 1

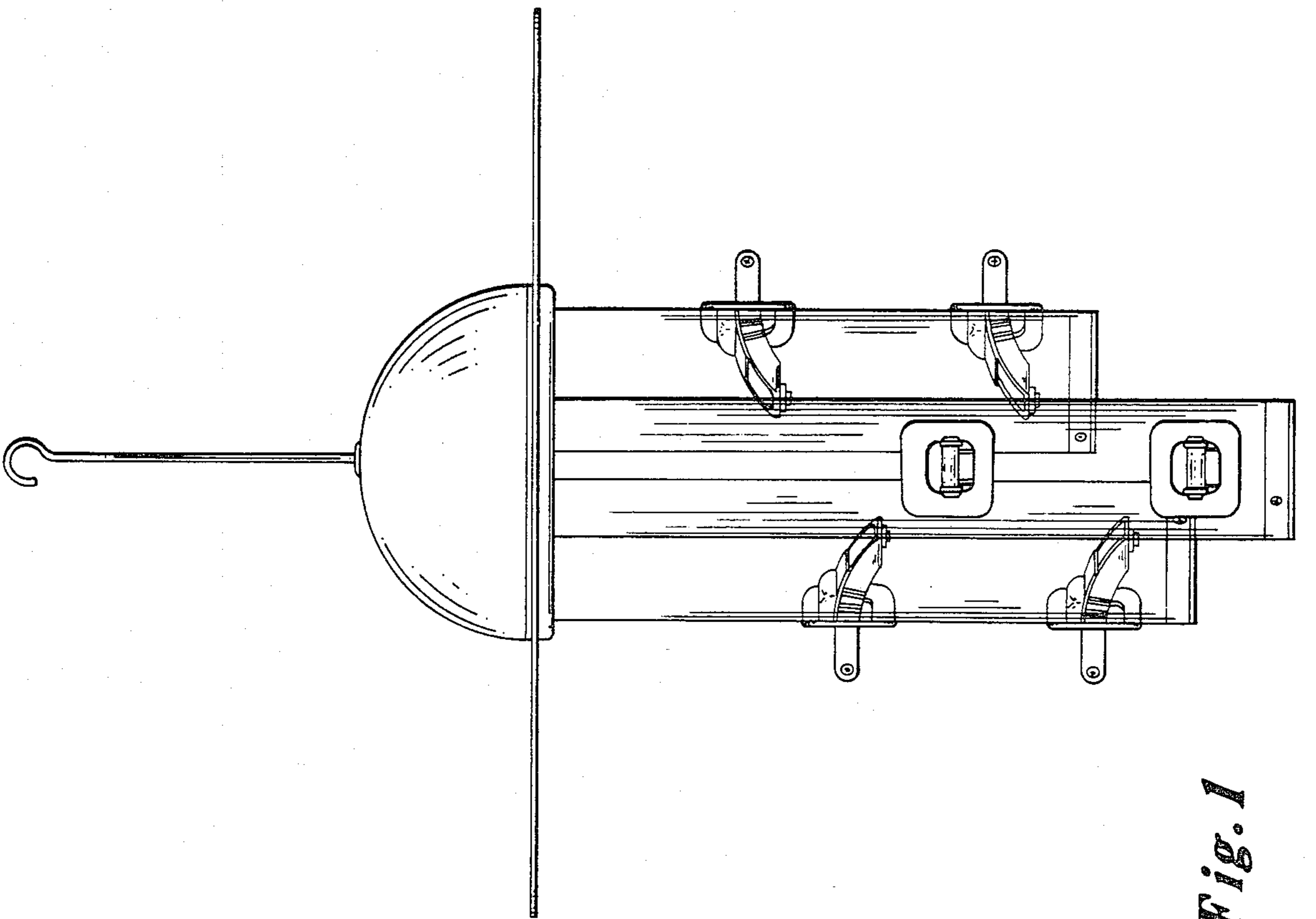


Fig. 2

