

[54] **BIRD FEEDER TRAY**
[76] **Inventor: Peter Kilham, Mill Rd., Foster, R.I. 02825**
[**] **Term: 14 Years**
[21] **Appl. No.: 468,178**
[22] **Filed: Feb. 22, 1983**
[52] **U.S. Cl. D30/14**
[58] **Field of Search D30/13-18; 119/51 R, 51.5, 52 R, 61, 63**

2,826,171 3/1958 Piel 119/51 R X
2,891,508 6/1959 Bower 119/51 R
3,901,192 8/1975 Adams 119/61 X
4,030,451 6/1977 Miller 119/63 X
4,361,116 11/1982 Kilham 119/51 R
4,462,337 7/1984 Kilham 119/51 R

Primary Examiner—James R. Largen
Attorney, Agent, or Firm—Robert J. Doherty

[57] **CLAIM**

The ornamental design for a bird feeder tray, as shown and described.

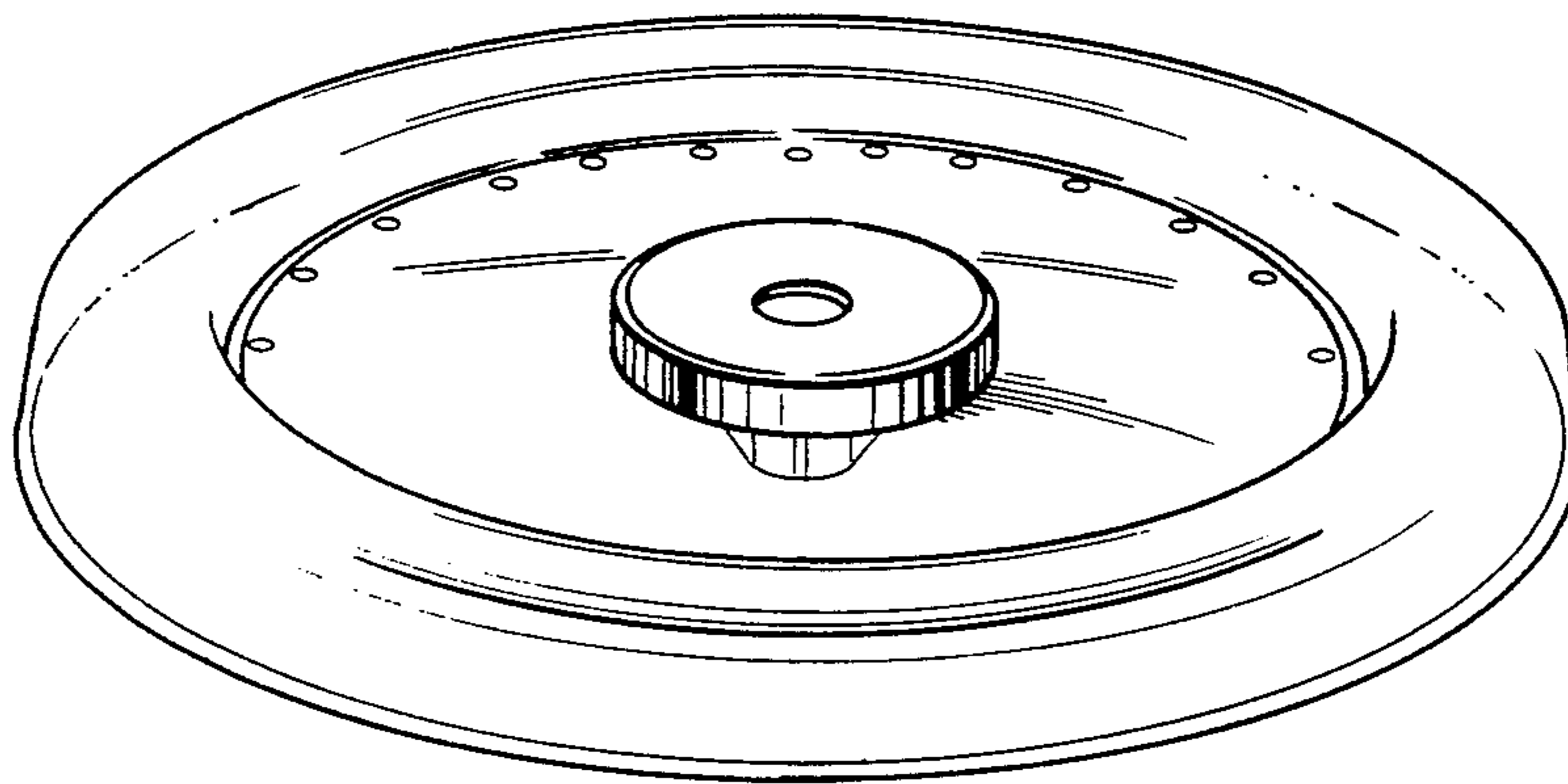
[56] **References Cited**

U.S. PATENT DOCUMENTS

D. 170,150 8/1953 Cowap D30/15
D. 173,658 12/1954 Jones D30/15
D. 244,098 4/1977 Kilham D30/14
1,749,497 3/1930 McClastian 119/61
2,634,705 4/1953 Mayes 119/51 R

DESCRIPTION

FIG. 1 is a perspective view of a bird feeder tray showing my new design;
FIG. 2 is a side elevational view thereof, the other sides being the same as the side shown;
FIG. 3 is a bottom plan view thereof; and
FIG. 4 is a top plan view thereof.



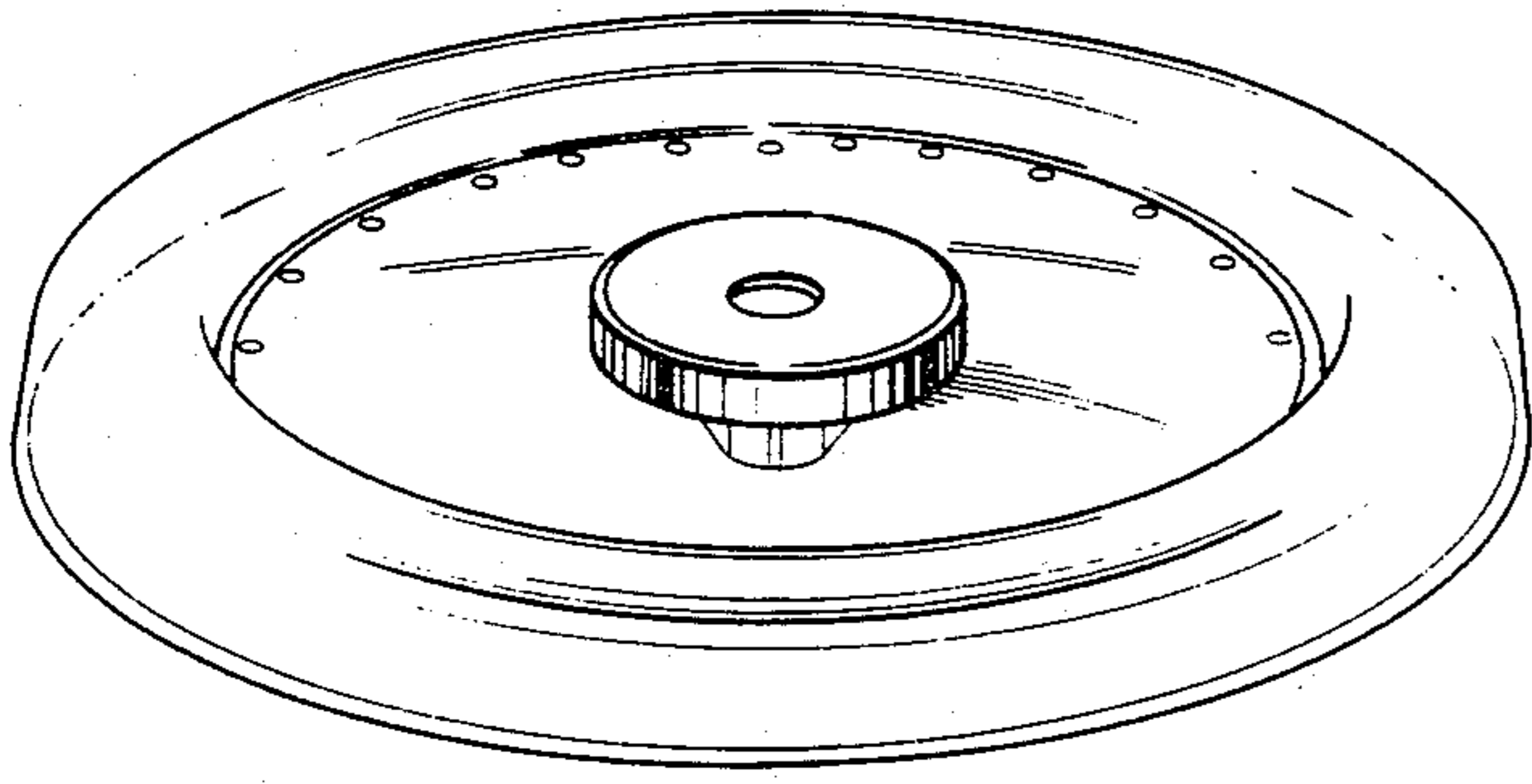


FIG. 1

FIG. 2

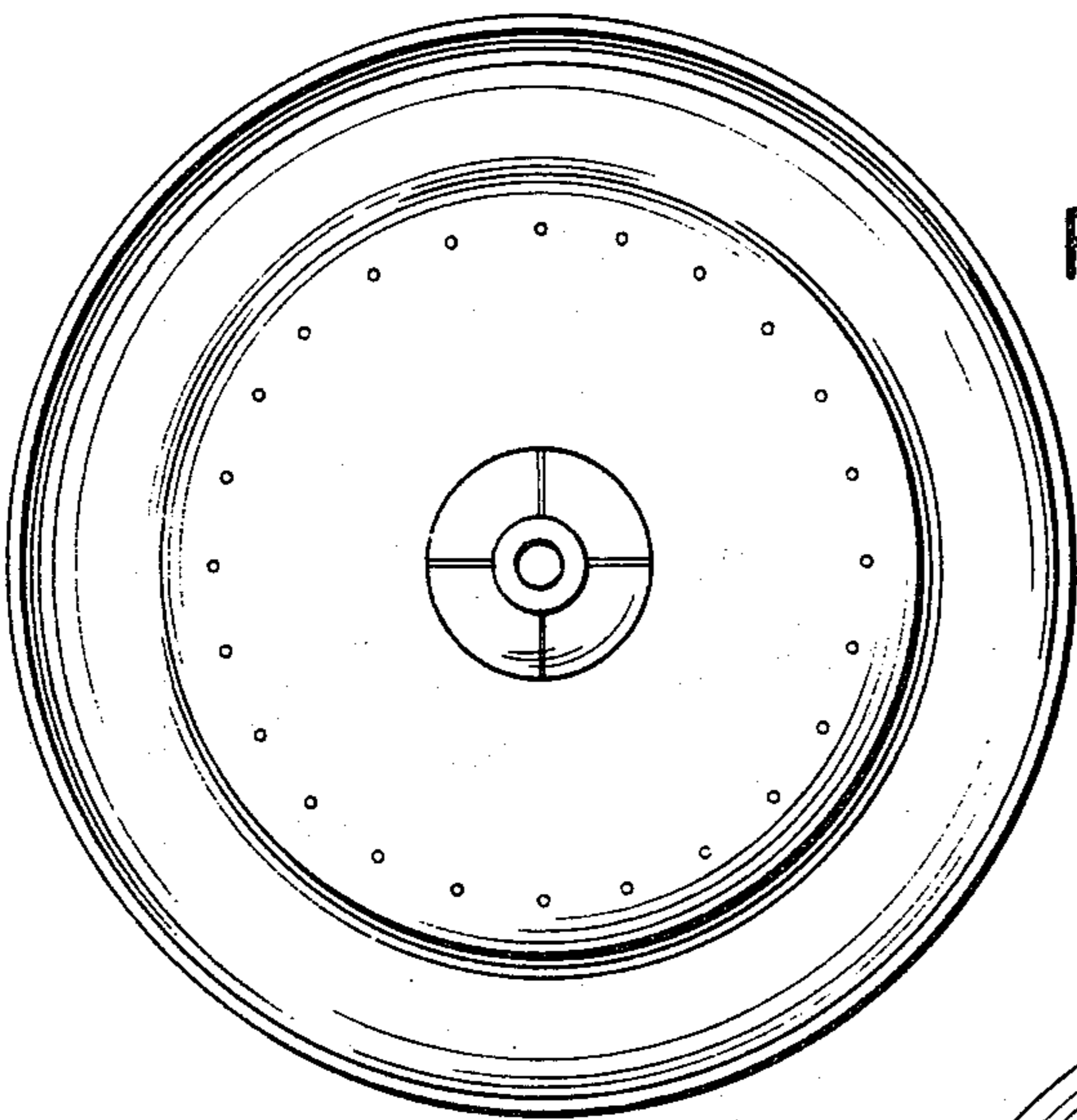
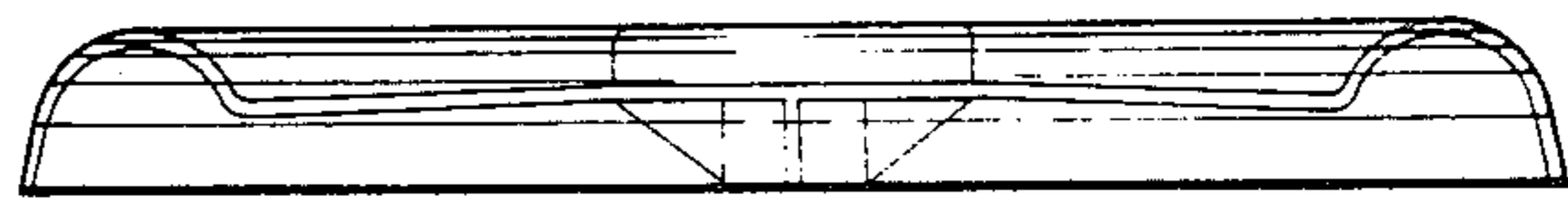


FIG. 3

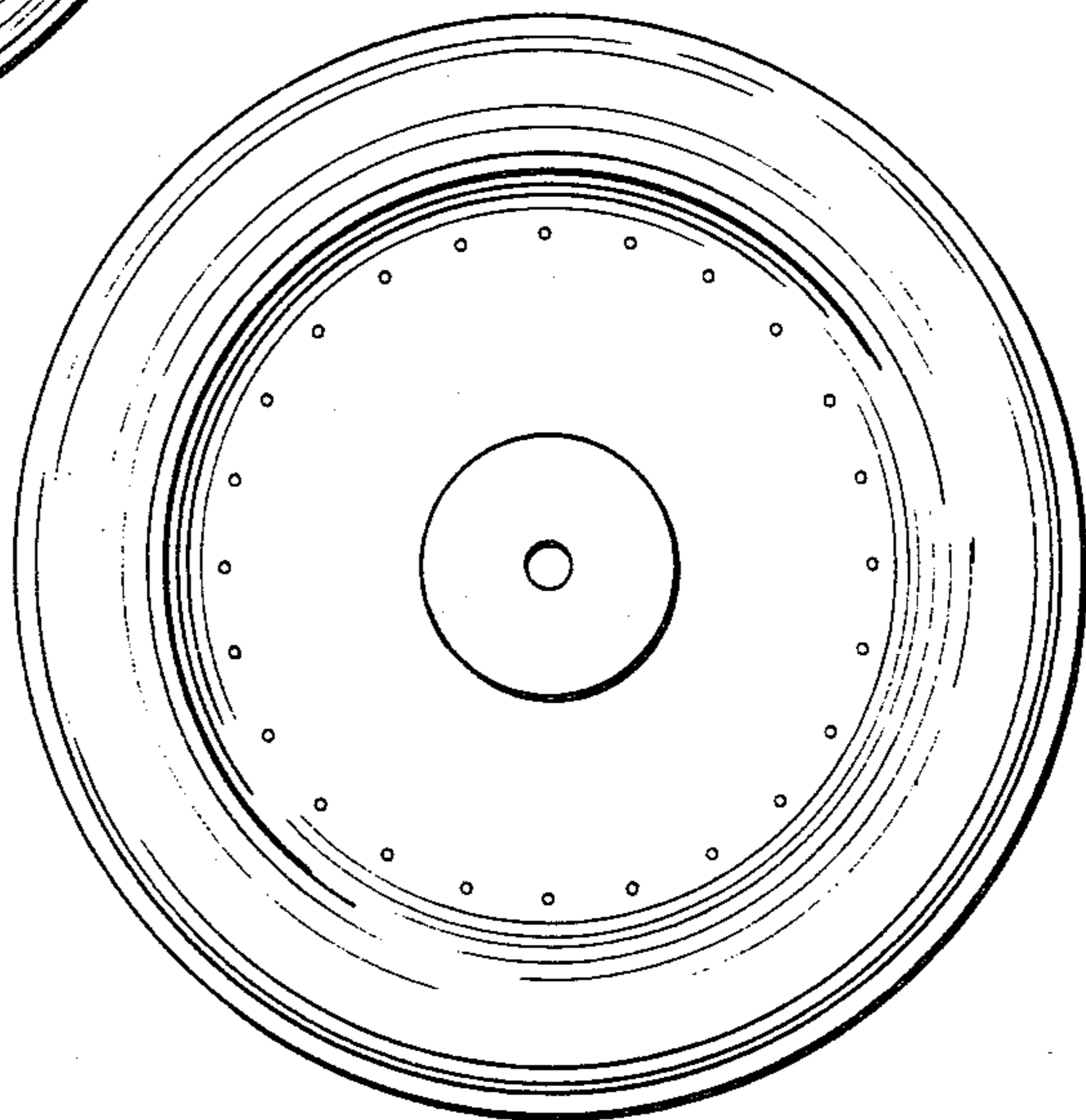


FIG. 4