

[54] BIRD FEEDER

[76] Inventor: Peter Kilham, Mill Rd., Foster, R.I.  
02825

[\*\*] Term: 14 Years

[21] Appl. No.: 460,839

[22] Filed: Jan. 25, 1983

[52] U.S. Cl. .... D30/14

[58] Field of Search ..... D30/13-18;  
119/51 R, 51.5, 52 R, 61, 63

3,901,192 8/1975 Adams ..... 119/61 X  
4,030,451 6/1977 Miller ..... 119/63 X  
4,361,116 11/1982 Kilham ..... 119/51 R  
4,462,337 7/1984 Kilham ..... 119/51 R

Primary Examiner—James R. Largen  
Attorney, Agent, or Firm—Robert J. Doherty

[57] CLAIM

The ornamental design for a bird feeder, as shown and described.

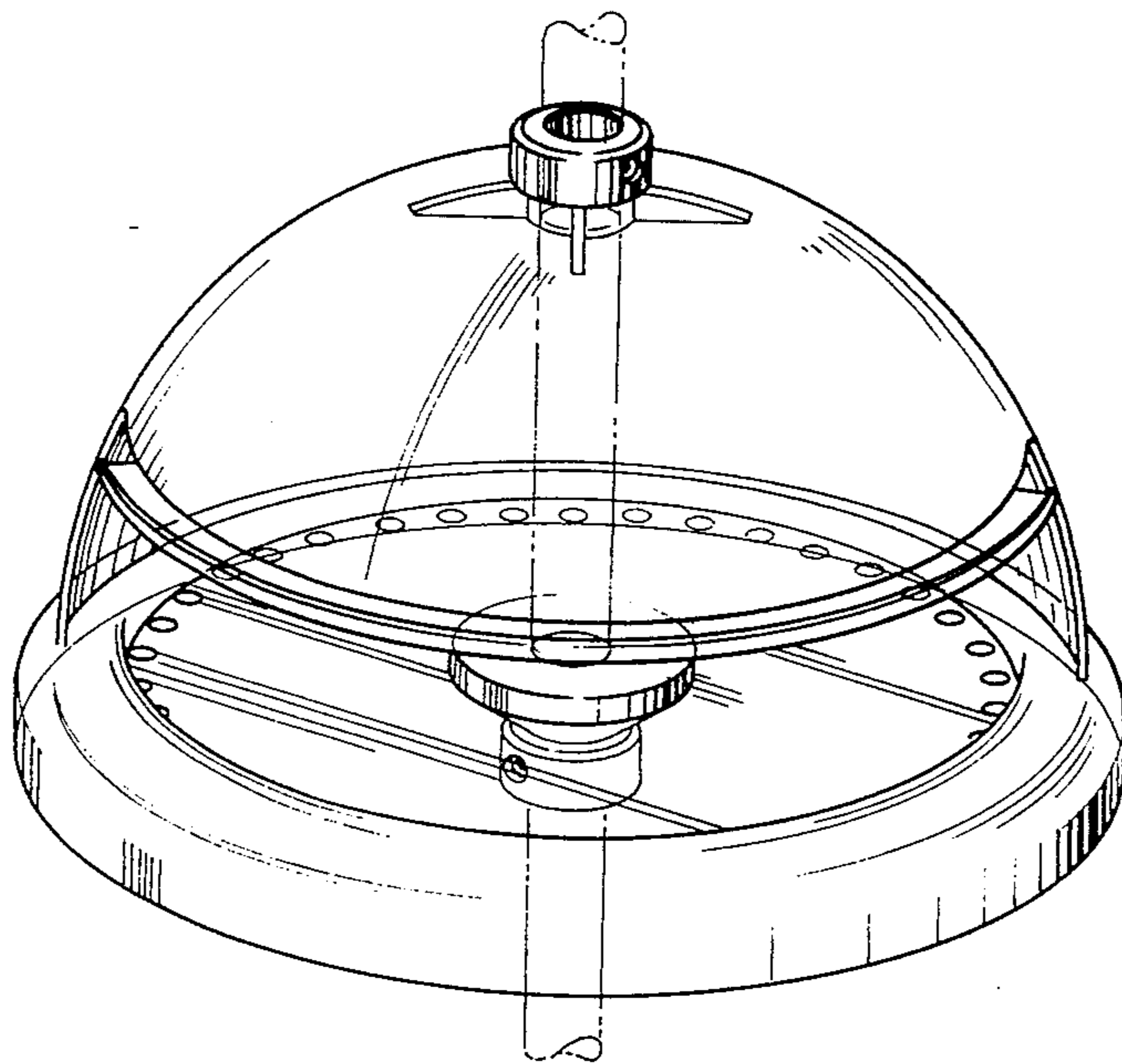
DESCRIPTION

FIG. 1 is a perspective view taken from the top and front of a bird feeder showing my new design; FIG. 2 is a rear elevational view thereof; FIG. 3 is a left side elevational view thereof, the right side being a mirror image of the left side shown; FIG. 4 is a top plan view thereof; and FIG. 5 is a bottom plan view thereof. The fragmentary broken line showing of a support pole in FIGS. 1, 2 and 3 is for purposes of illustration only.

[56] References Cited

U.S. PATENT DOCUMENTS

D. 170,150 8/1953 Cowap ..... D30/15  
D. 173,658 12/1954 Jones ..... D30/15  
D. 244,098 4/1977 Kilham ..... D30/14  
1,749,497 3/1930 McClastian ..... 119/61  
2,634,705 4/1953 Mayes ..... 119/51 R  
2,826,171 3/1958 Piel ..... 119/51 R X  
2,891,508 6/1959 Bower ..... 119/51 R



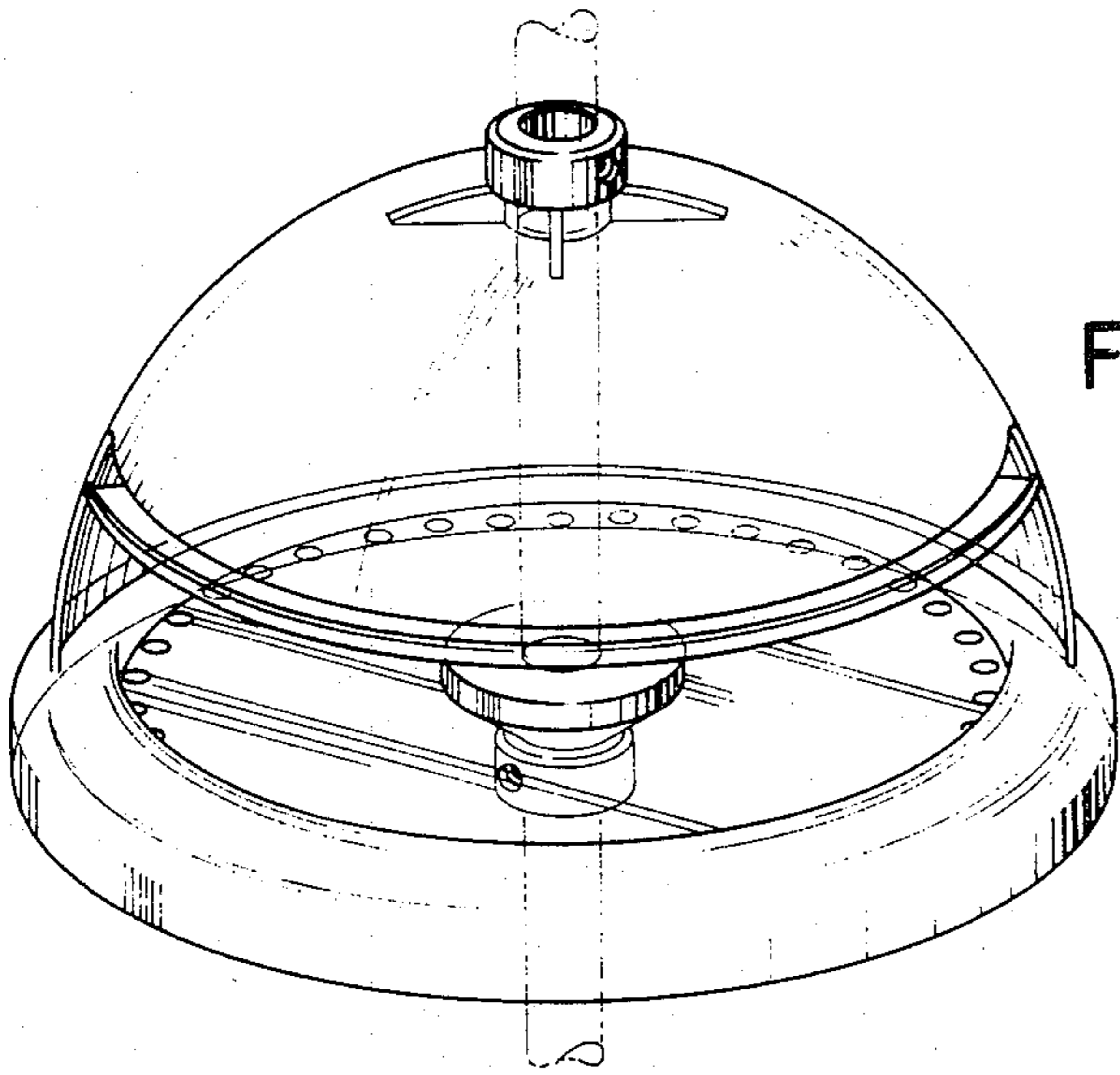


FIG. 1

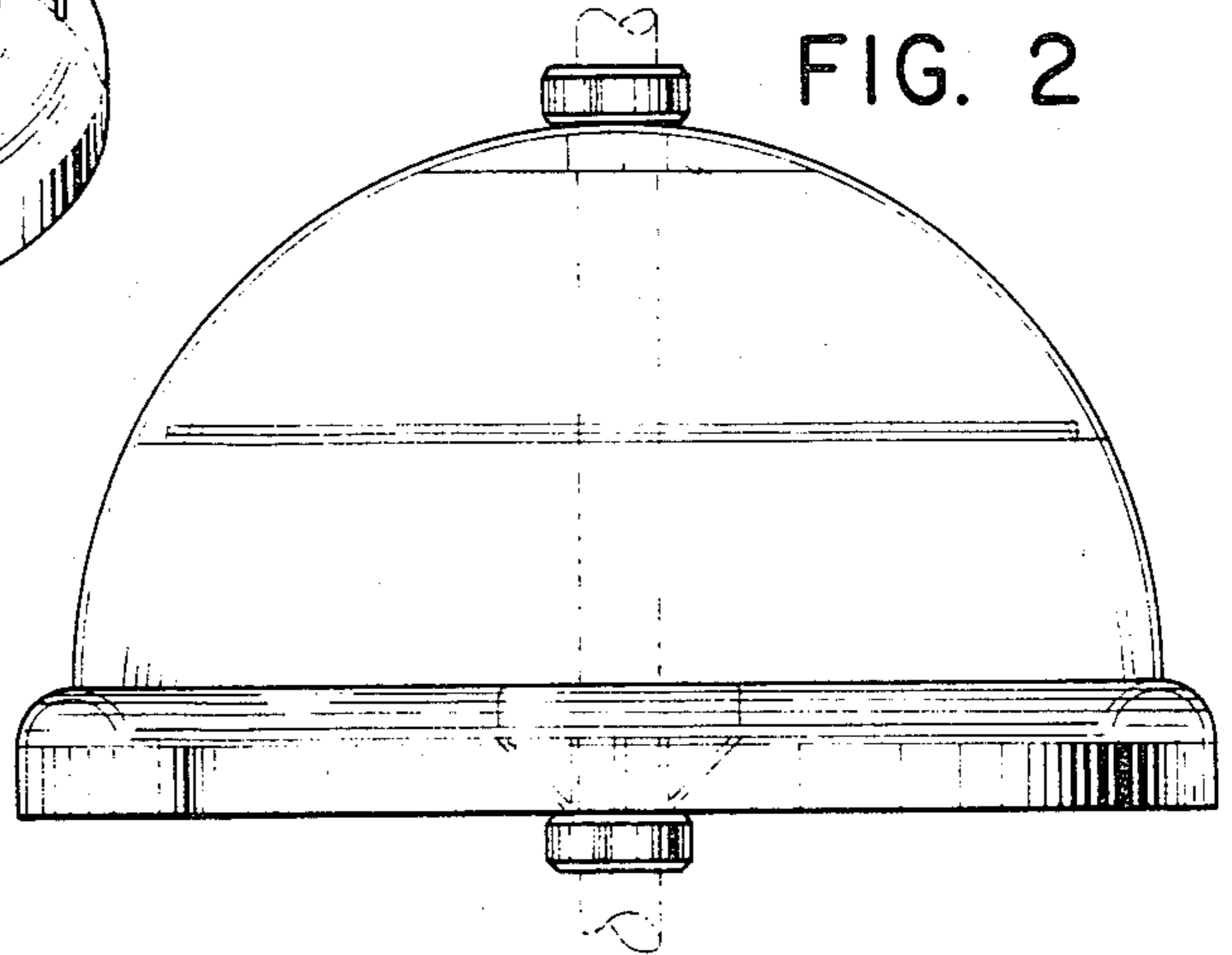


FIG. 2

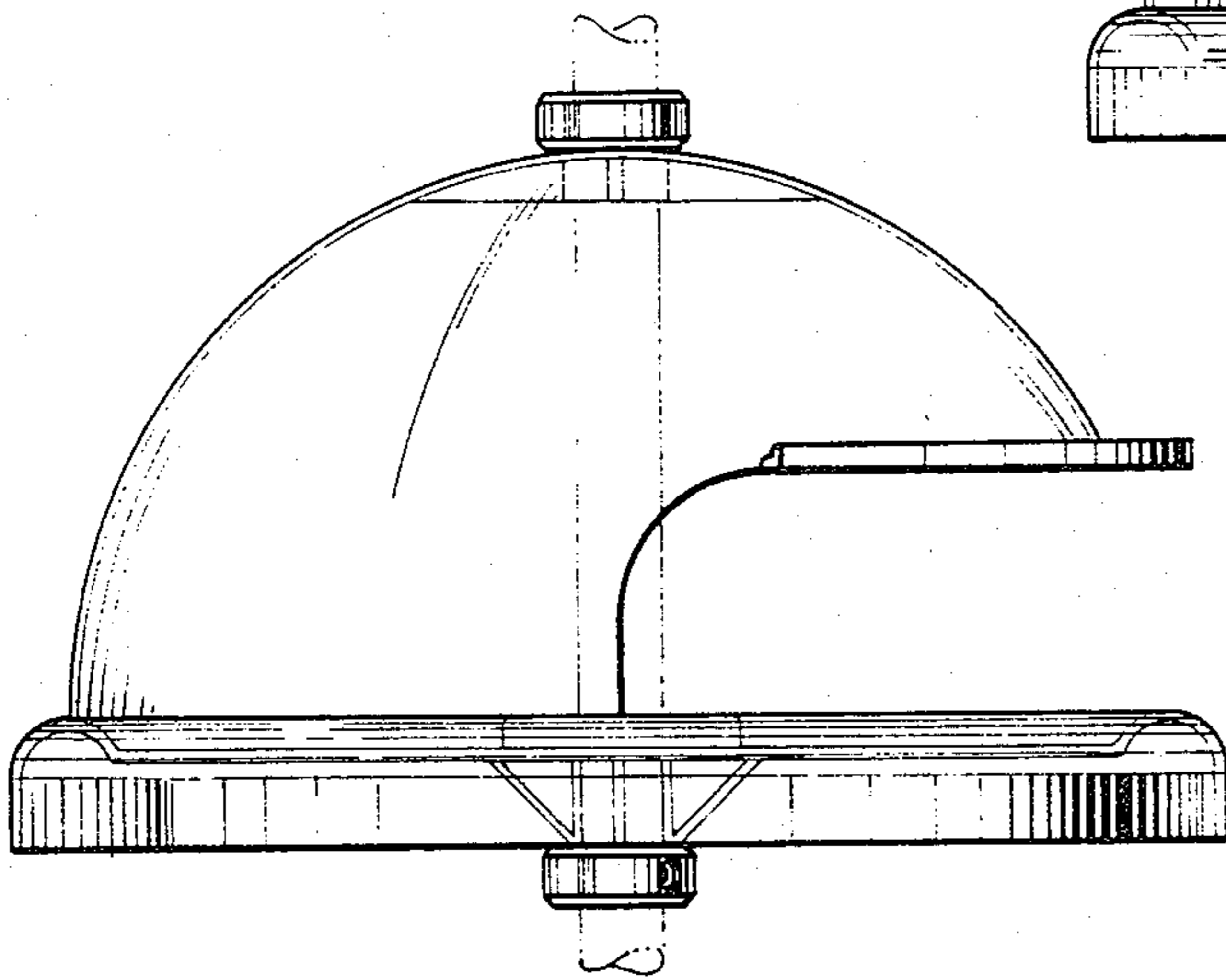
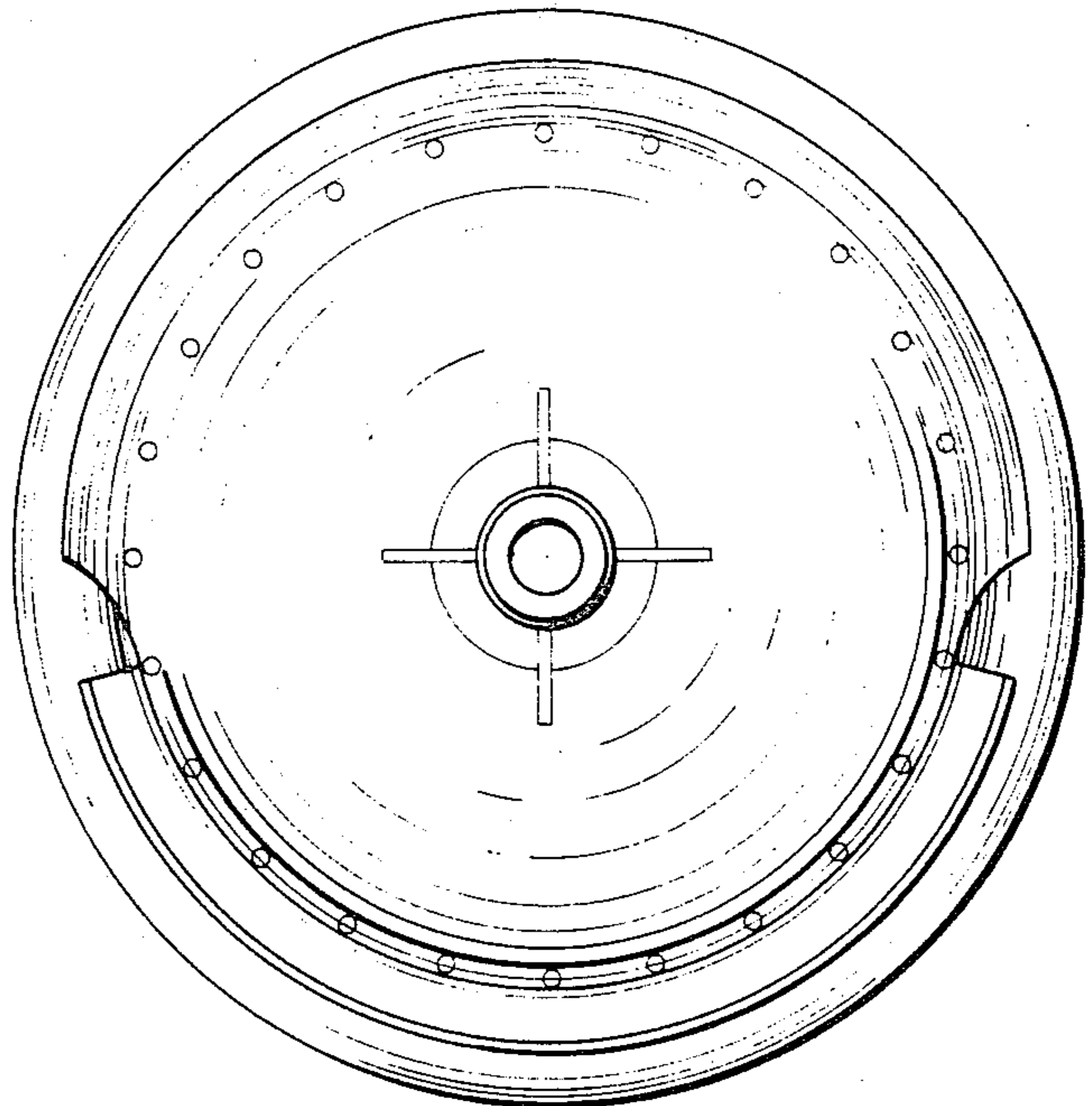


FIG. 3

FIG. 4



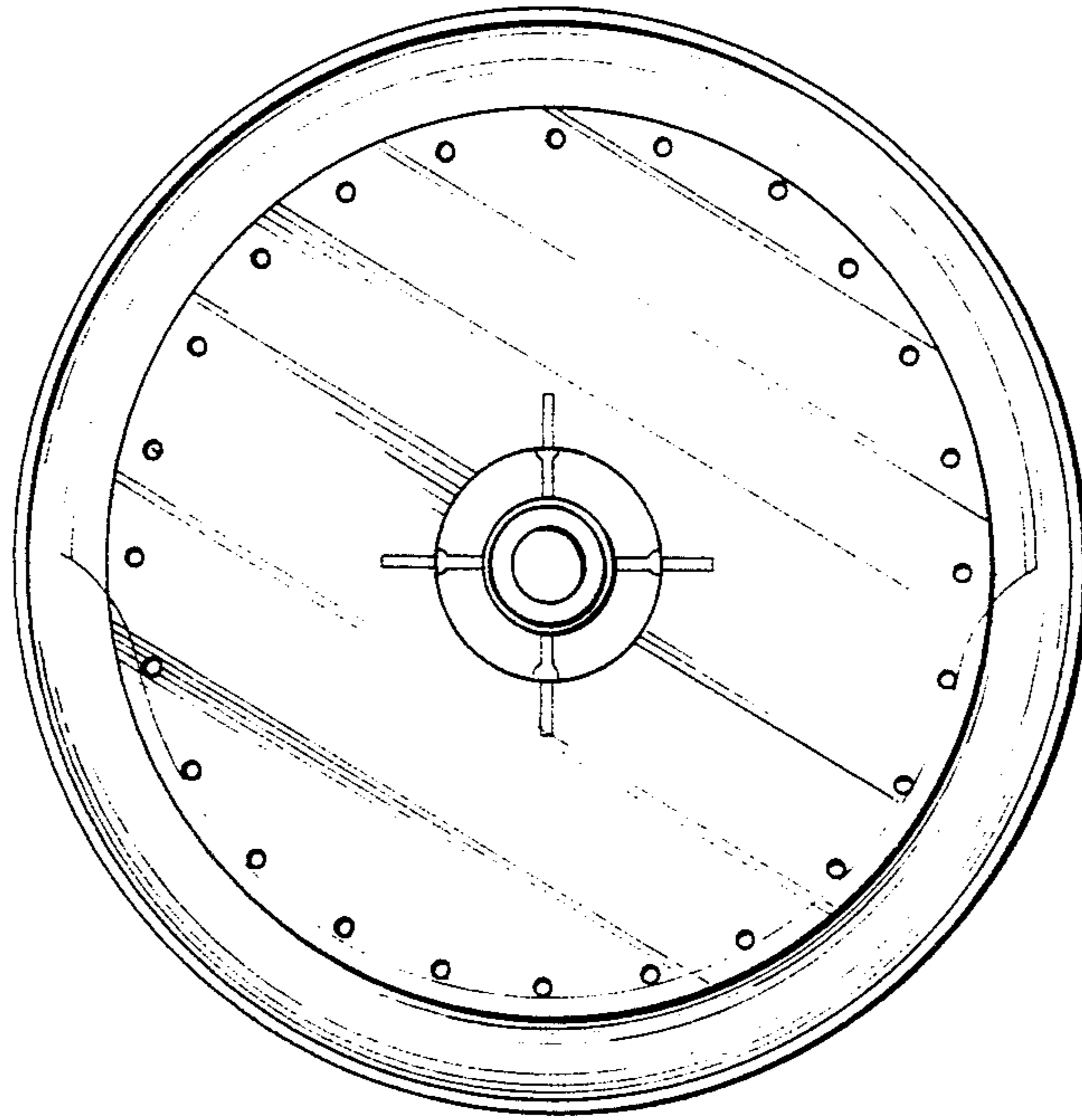


FIG. 5