

# United States Patent [19]

Carmagnola et al.

[11] Patent Number: **Des. 278,162**

[45] Date of Patent: **\*\* Mar. 26, 1985**

[54] **SCOOTER**

[76] Inventors: **Ernest D. Carmagnola**, 2740 Len Dr., Bellmore, N.Y. 11710; **Peter Natale**, 1600 N. Thompson Dr., Bay Shore, N.Y. 11706

[\*\*] Term: **14 Years**

[21] Appl. No.: **443,914**

[22] Filed: **Nov. 23, 1982**

[52] U.S. Cl. .... **D21/80; D21/81**

[58] Field of Search ..... **D21/80, 81, 71; 280/87.04 A, 87.04 R, 87.04 B; D12/110**

[56] **References Cited**

## U.S. PATENT DOCUMENTS

D. 171,842 3/1954 Cress ..... D21/81

D. 264,105 4/1982 Dinnocente ..... D21/81  
D. 268,938 5/1983 Carmagnola et al. .... D21/80

*Primary Examiner*—Charles A. Rademaker  
*Attorney, Agent, or Firm*—Kevin Redmond

[57] **CLAIM**

The ornamental design for a scooter, as shown and described.

## DESCRIPTION

FIG. 1 is a perspective view of a scooter showing our new design;

FIG. 2 is a left side elevational view thereof;

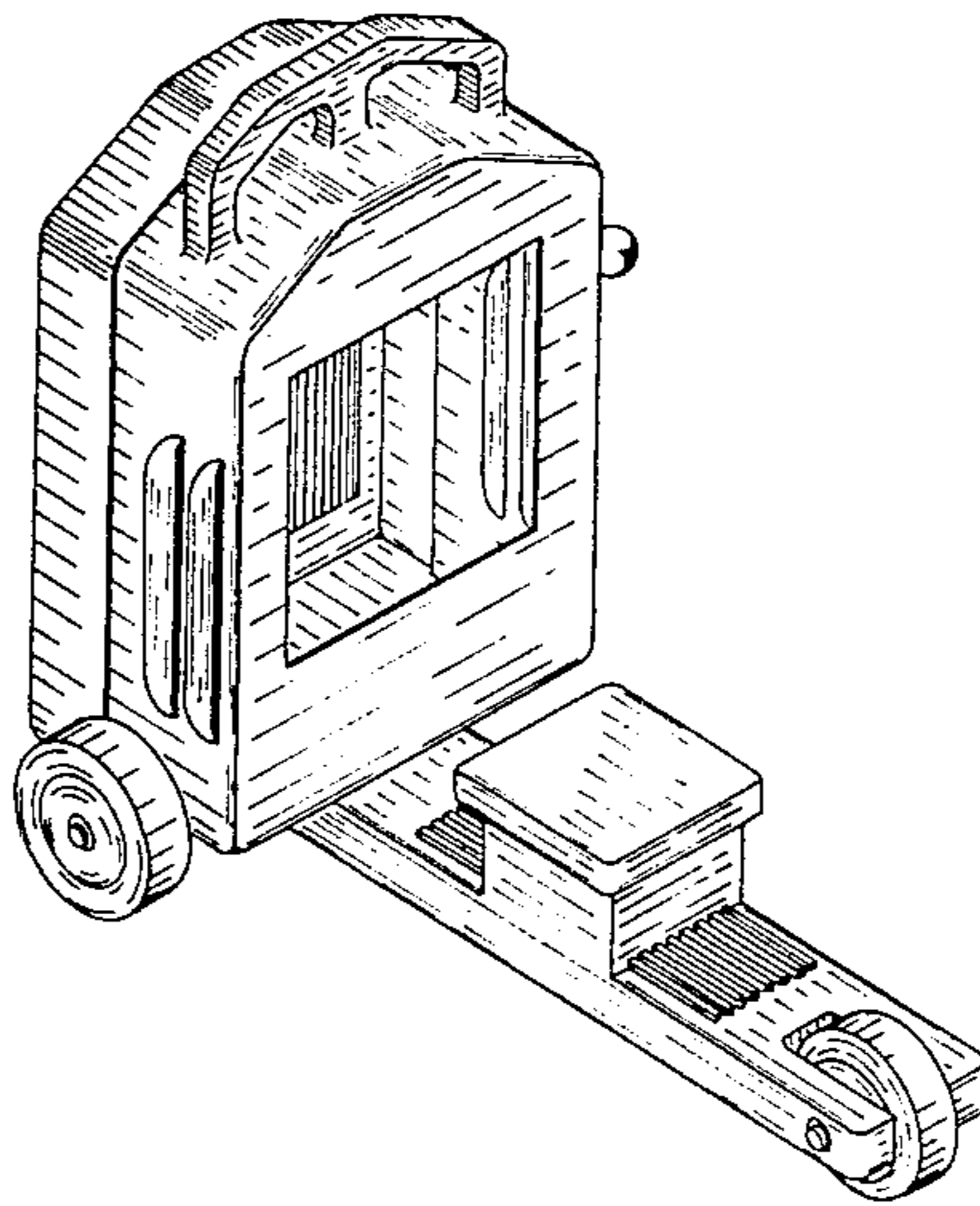
FIG. 3 is a front elevational view thereof;

FIG. 4 is a top plan view thereof;

FIG. 5 is a right side elevational view thereof;

FIG. 6 is a rear elevational view thereof; and,

FIG. 7 is a bottom plan view thereof.



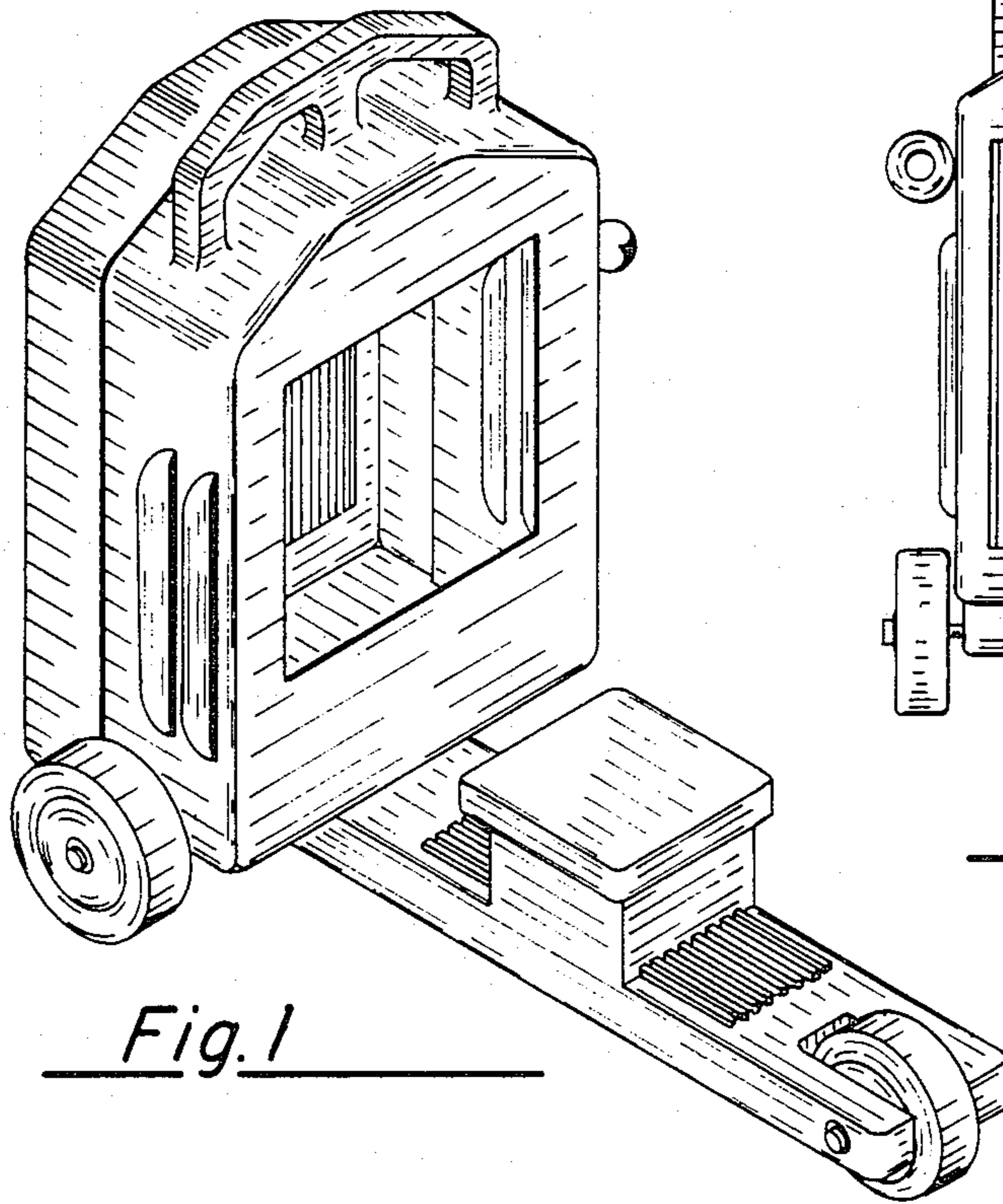


Fig. 1

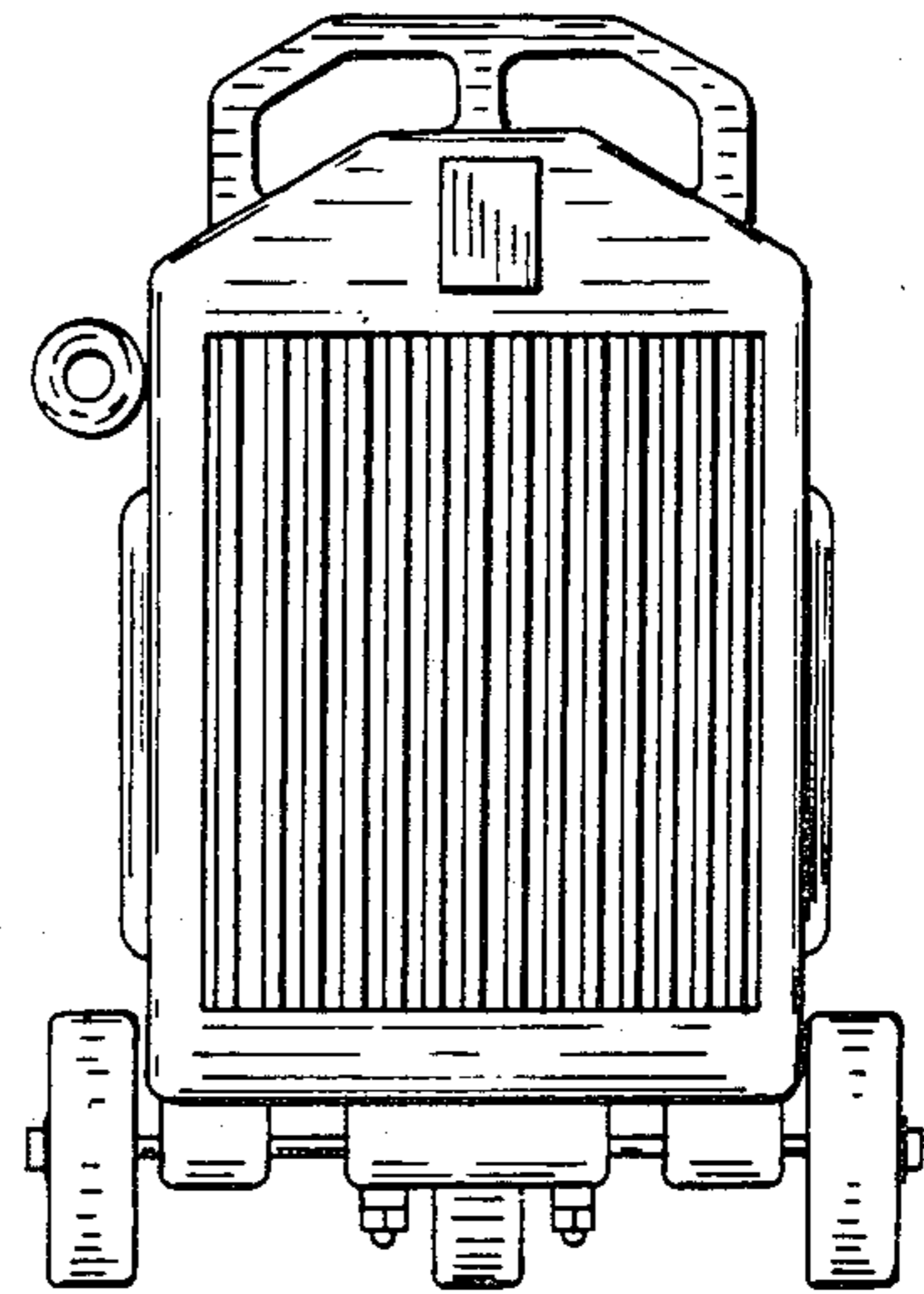


Fig. 3

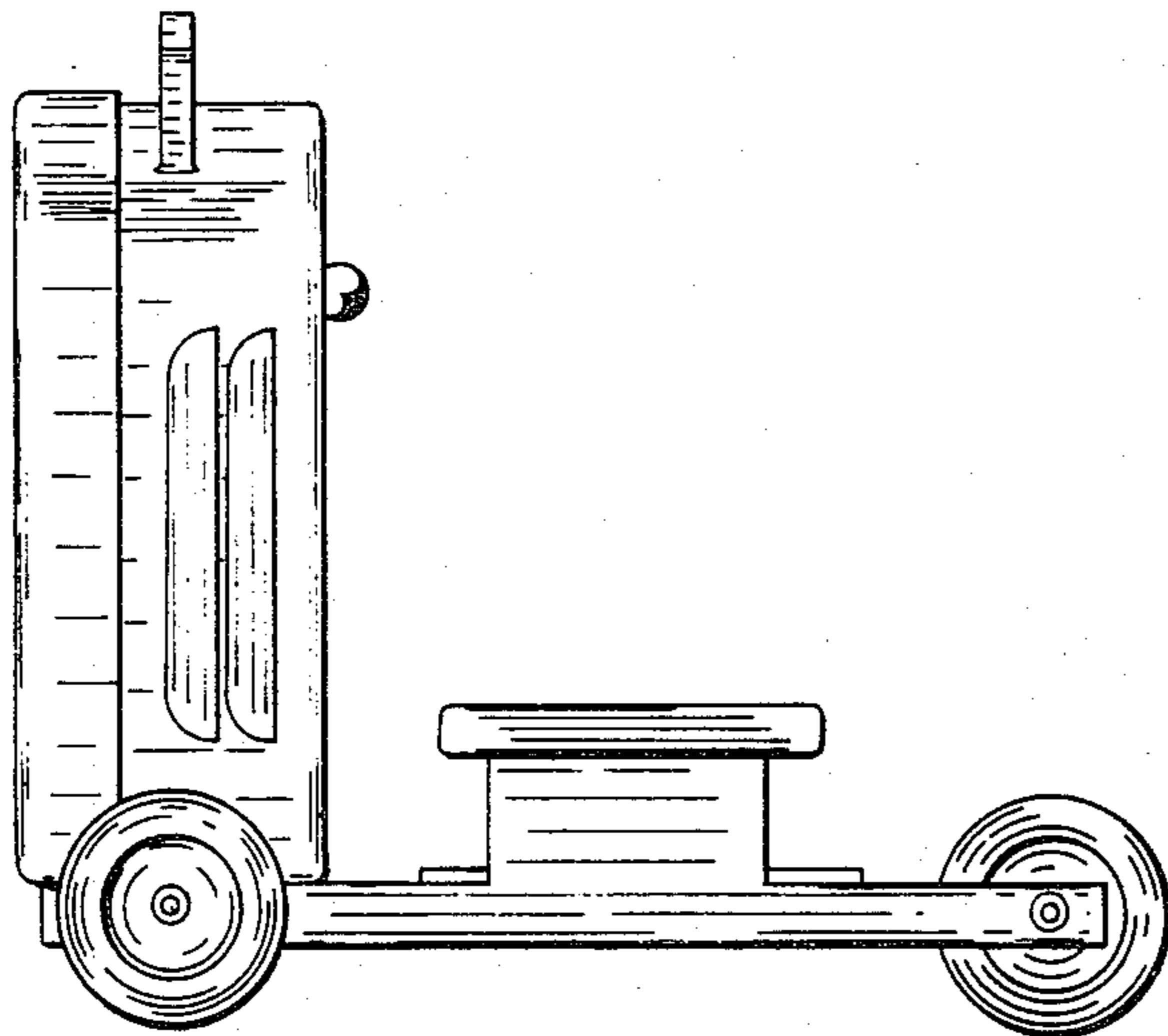


Fig. 2

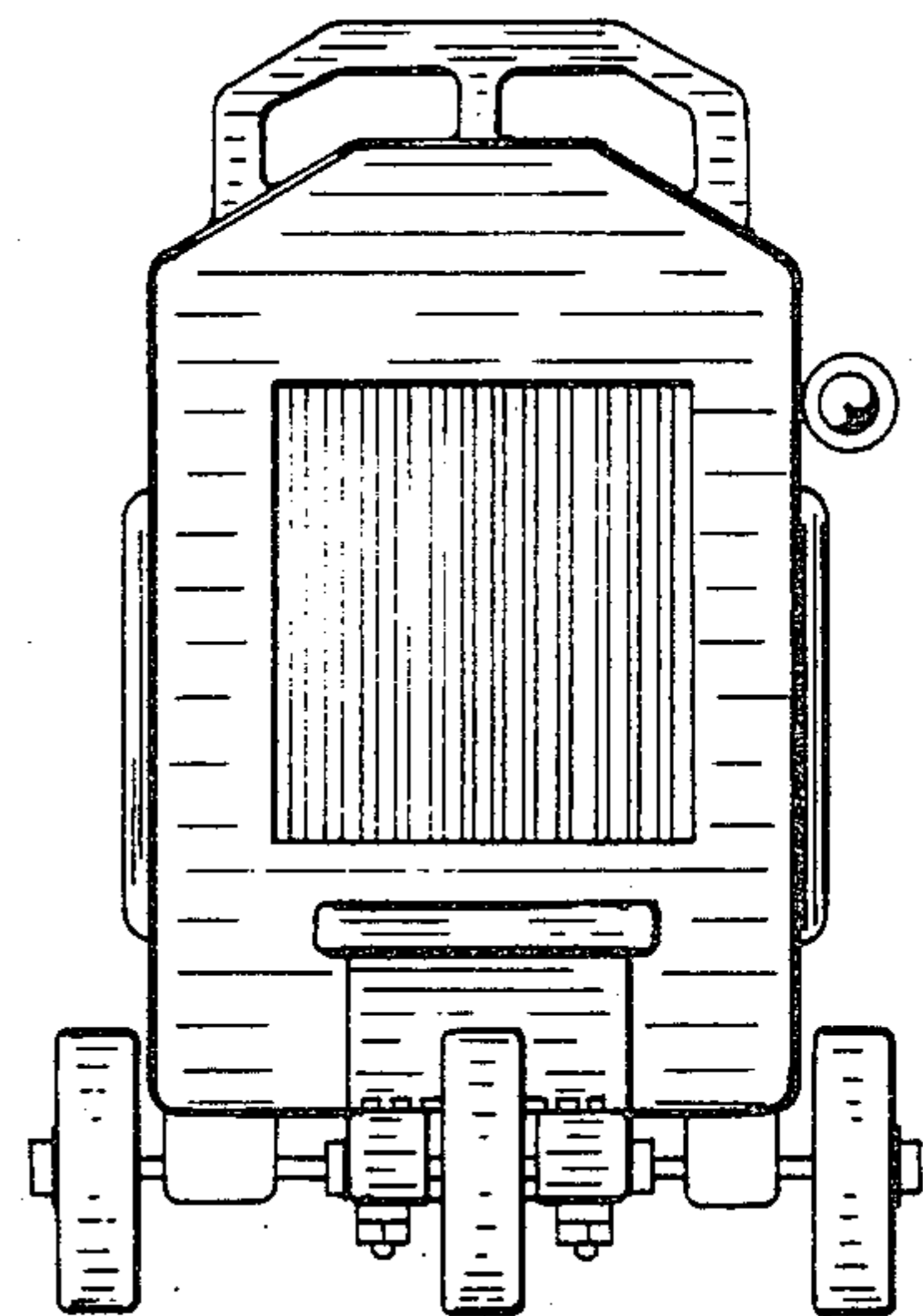


Fig. 6

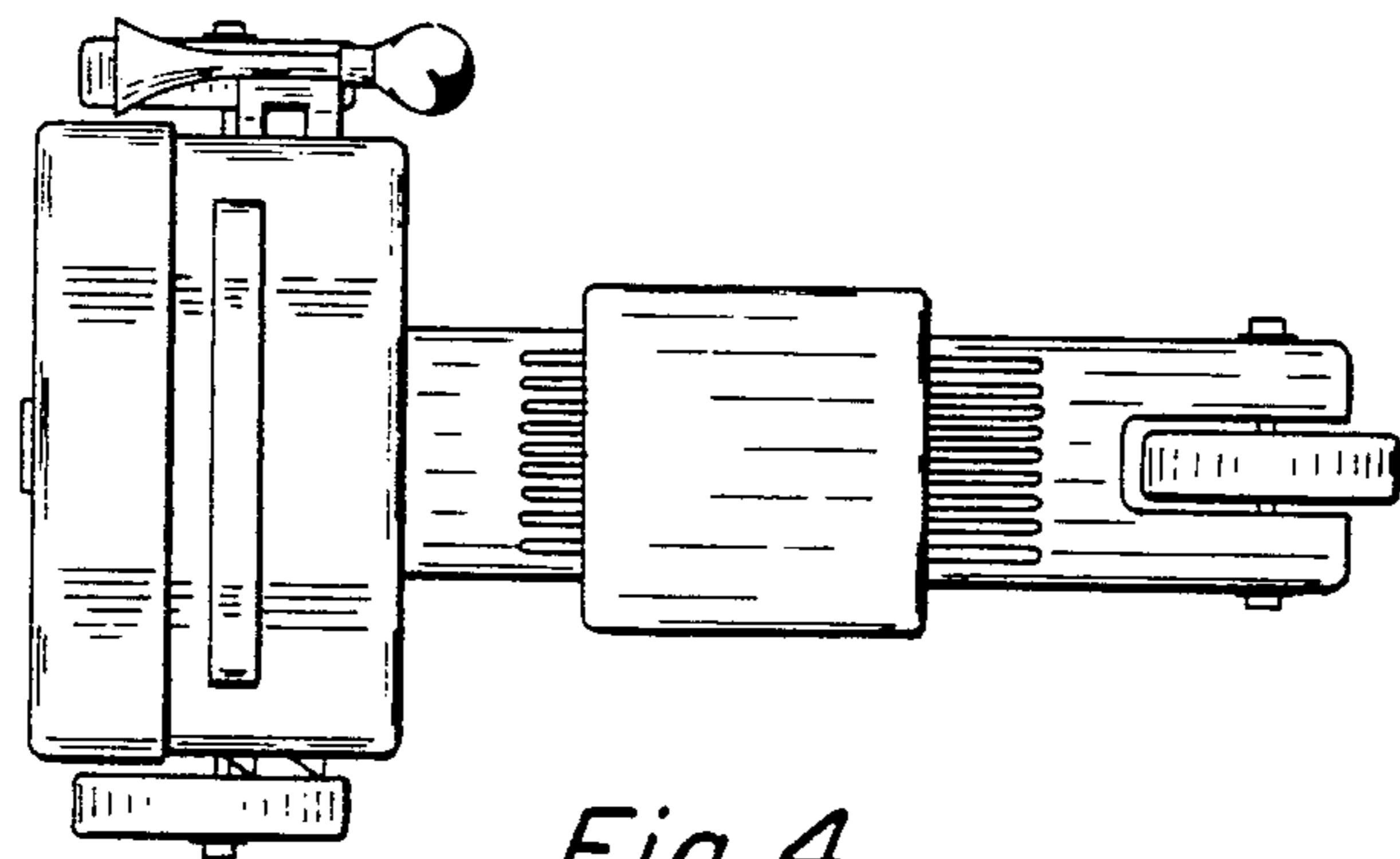


Fig. 4

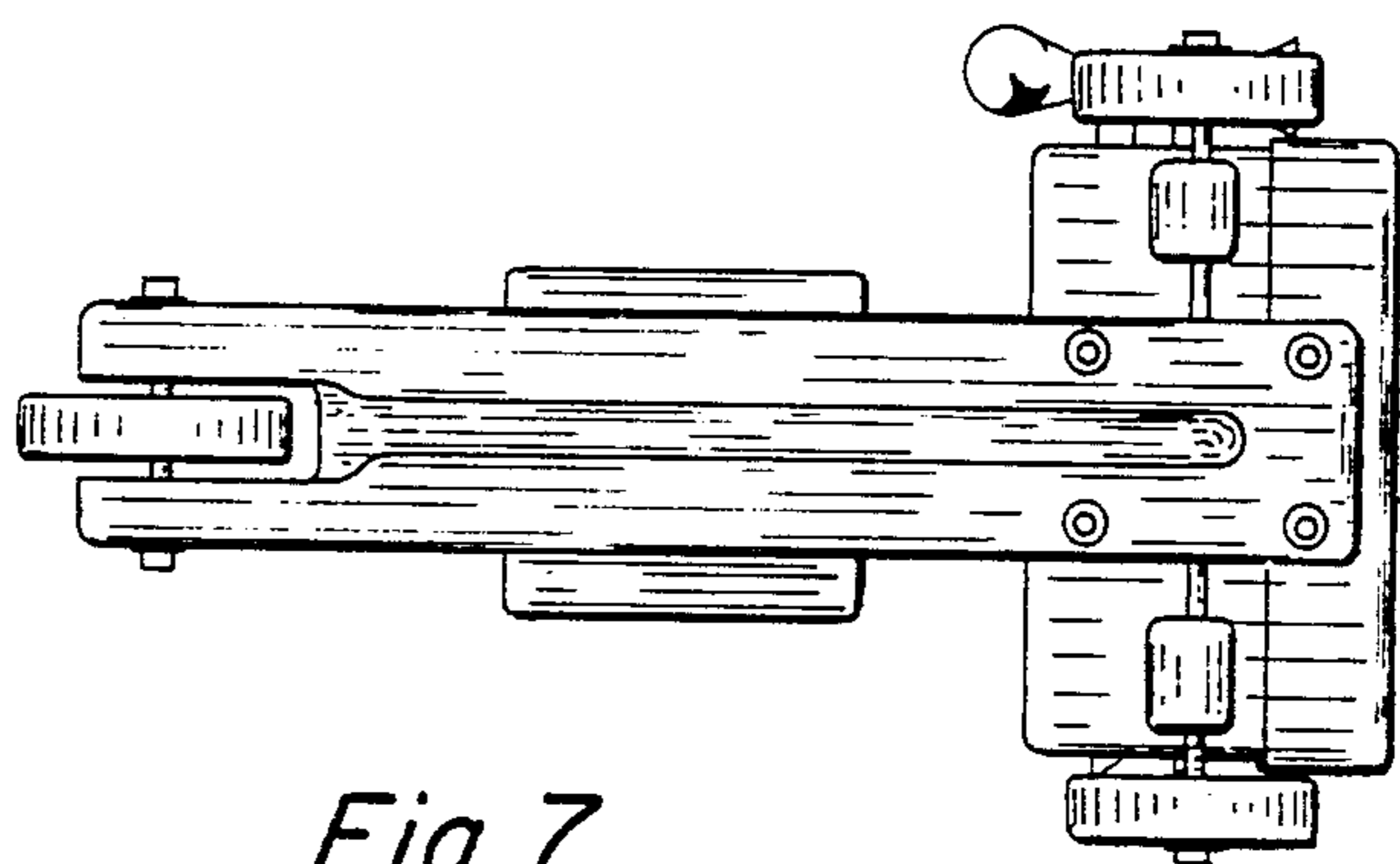


Fig. 7

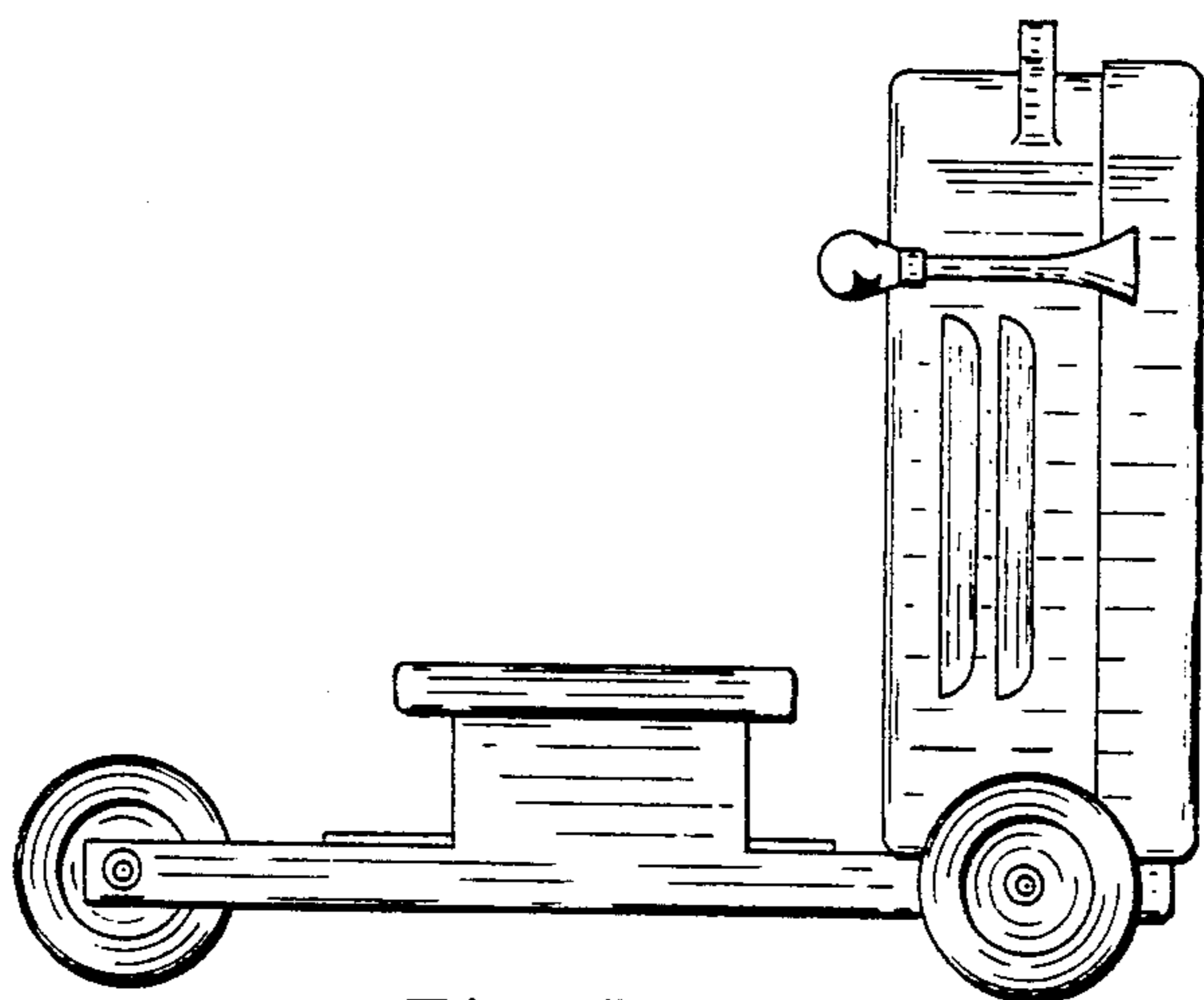


Fig. 5